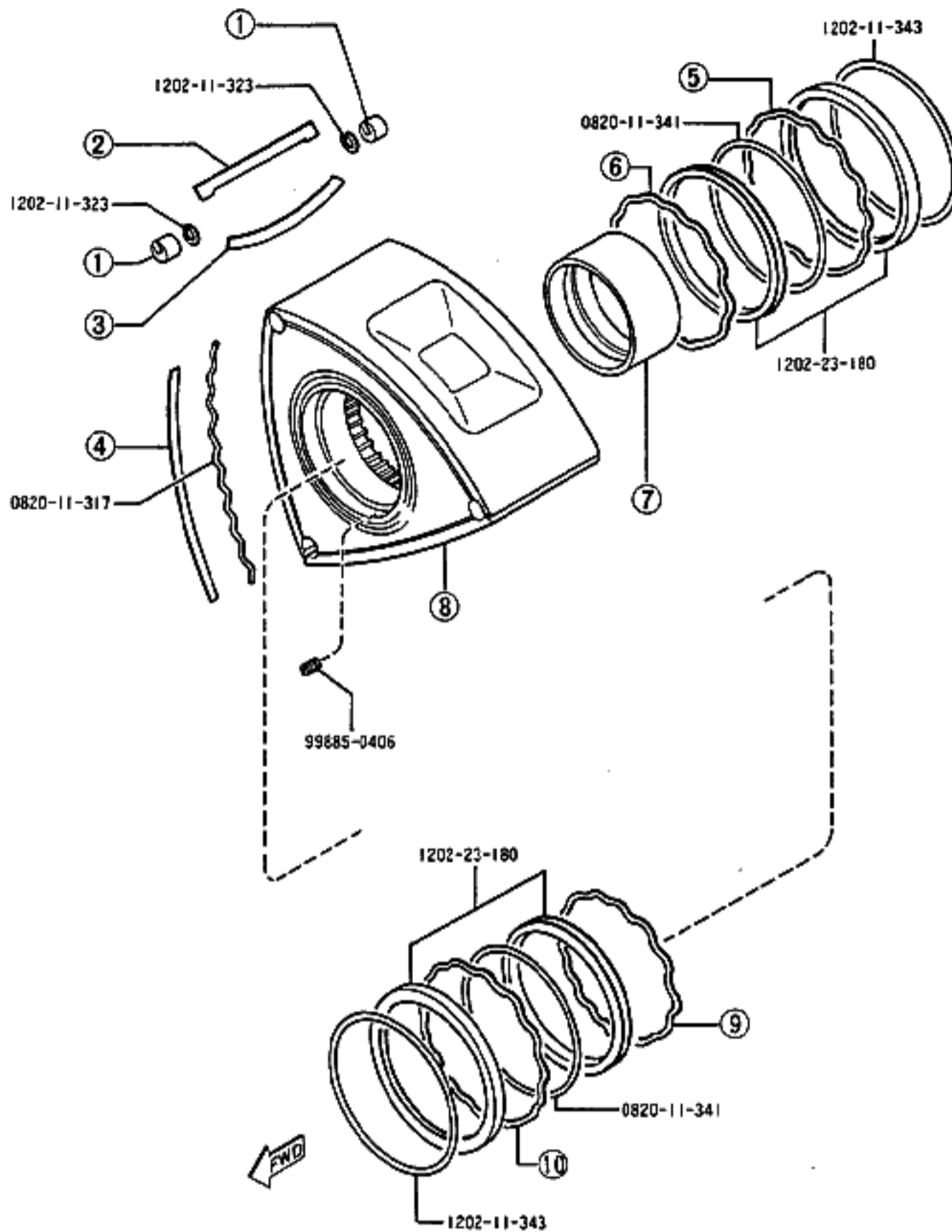
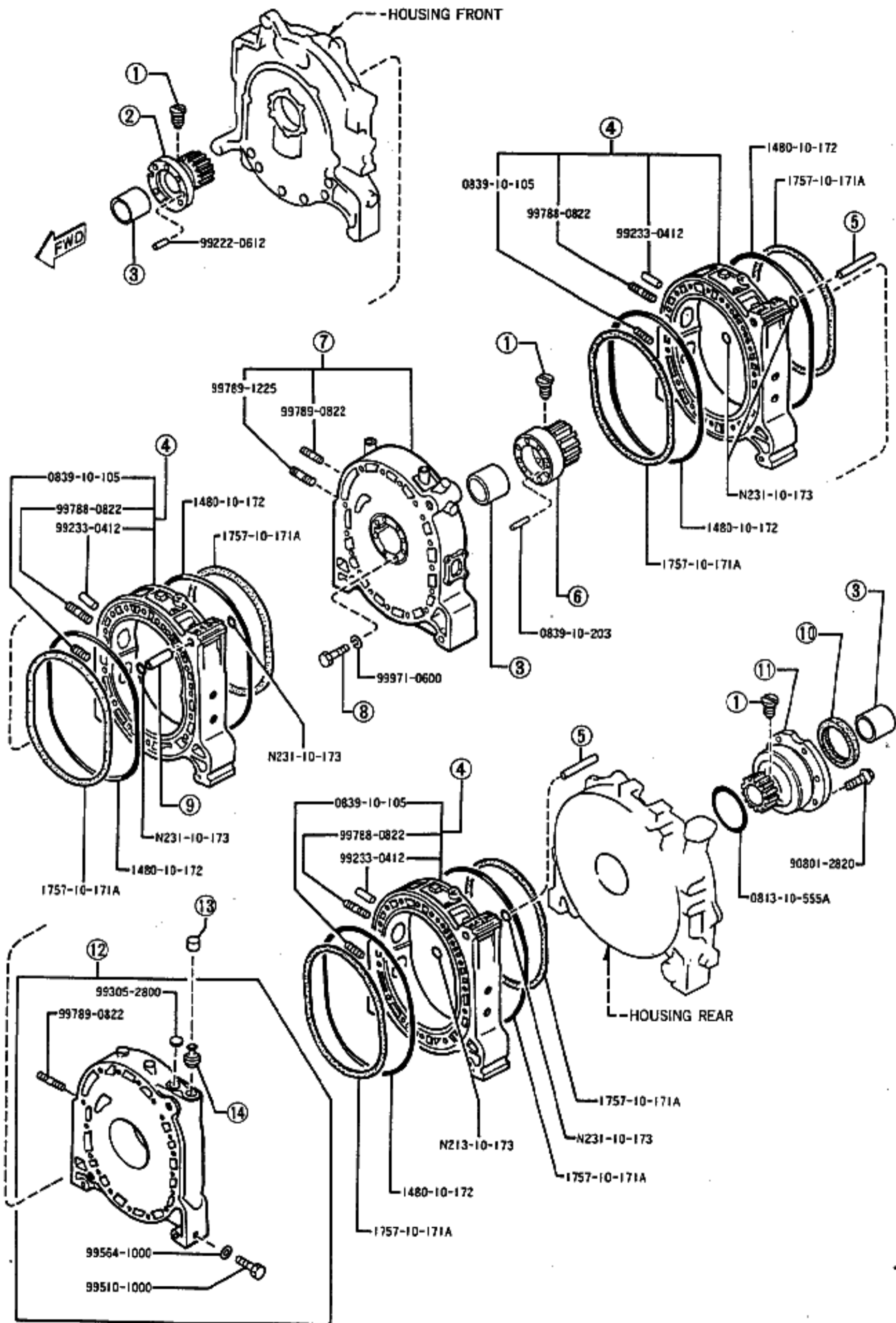


# ROTOR



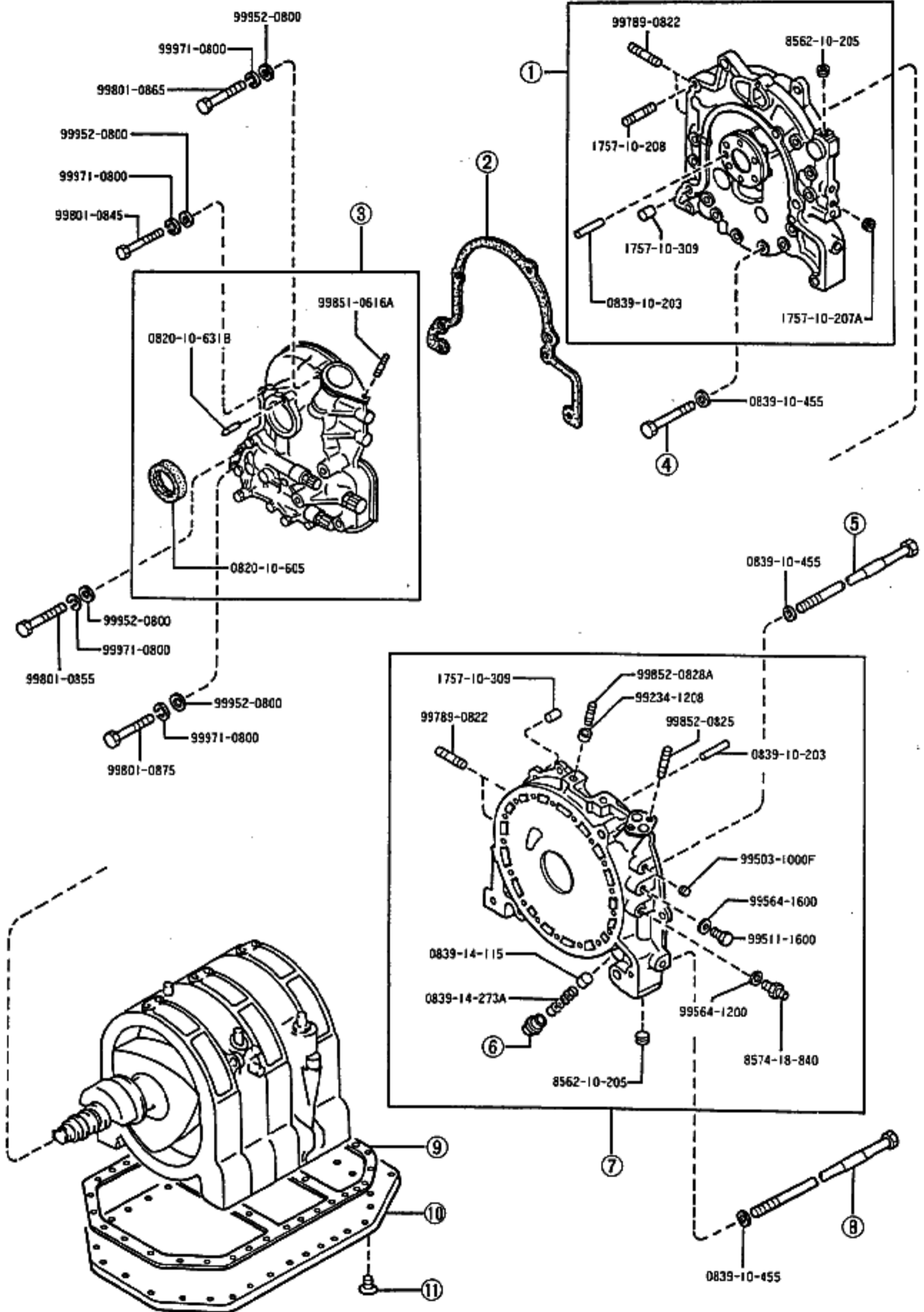
NO.	CODE	PART NO.	DESCRIPTION	QTY	UNIT PRICE	REMARKS
1	S	ZR03 11 C21	SEAL, CORNER	18	600	R
2	S	ZR03 11 C01	SEAL, APEX	9	5,000	R
3	S	ZR03 11 C04	SPRING, APEX SEAL	9	500	R
4	S	8871 23 151	SEAL, SIDE	18	520	R
5	S	ZR03 11 C47	SPRING, REAR-OUTER	3	2,400	R
6	S	ZR03 11 C45	SPRING, REAR-INNER	3	1,800	R
7	S	ZR03 11 B21	BEARING, ROTOR	3	3,700	R
8	S	ZRY1 11 B10	ROTOR	3	175,000	R
9	S	ZR03 11 C41	SPRING, FRT.-INNER	3	1,800	R
10	S	ZR03 11 C43	SPRING, FRT.-OUTER	3	2,400	R

# ROTOR HOUSING



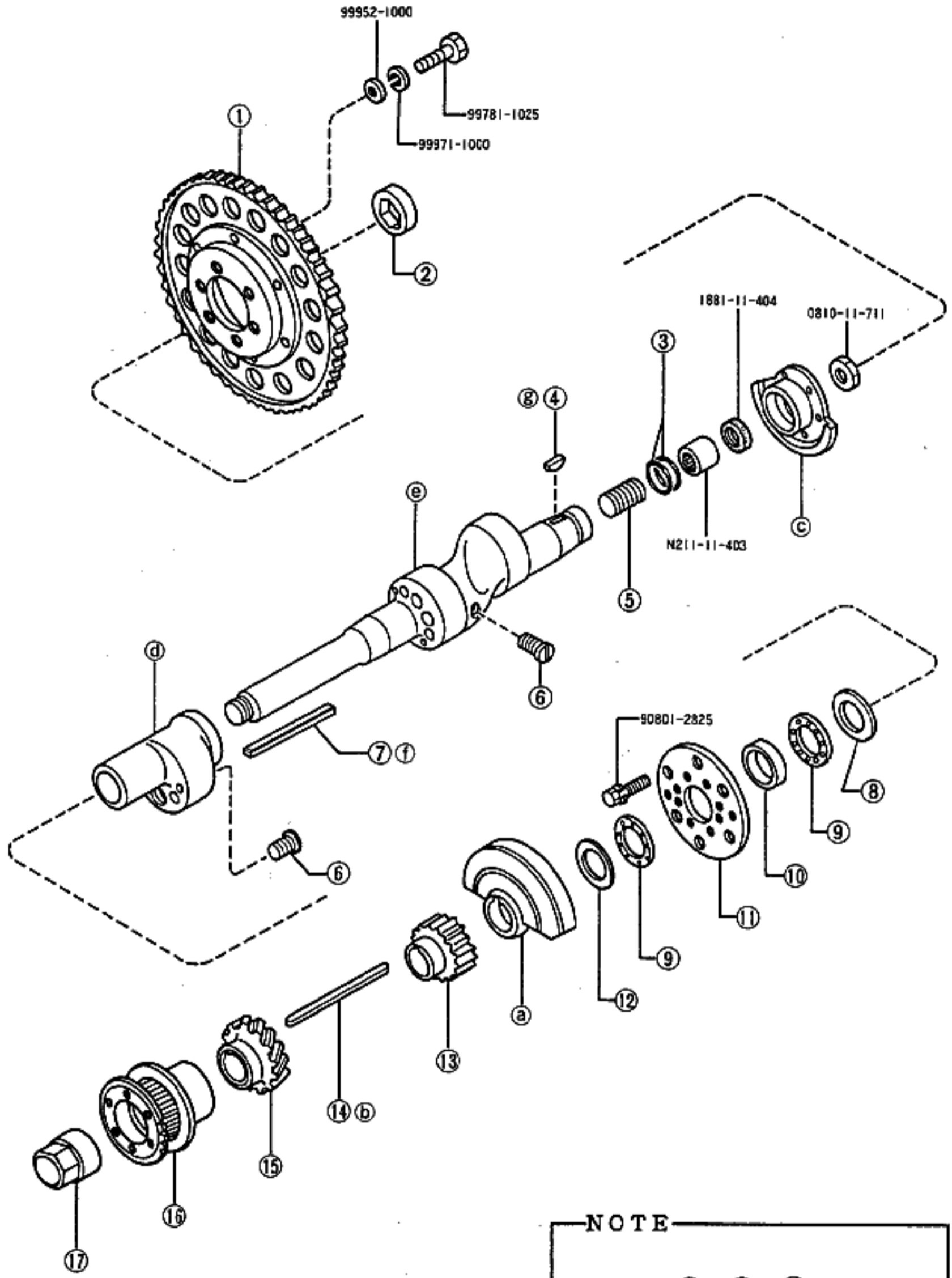
NO.	CODE	PART NO.	DESCRIPTION	QTY	UNIT PRICE	REMARKS
1	S	ZR03 10 E09	PIN, STOPPER	3	770	R
2	S	ZR03 10 E01	GEAR, STATIONARY-FRT.	1	74,000	R
3	S	ZR03 10 E12	BEARING, MAIN	3	6,100	R
4	S	ZR03 10 B10	HOUSING, ROTOR	3	270,000	R
5	S	ZR03 10 B17	DOWEL, TUBULER	4	14,200	R
6	S	ZR03 10 E21	GEAR, STATIONALY-CENTER	1	65,000	R
7	S	ZR03 10 D50	HOUSING, SECOND	1	186,000	R
8	S	ZR03 10 D59	BOLT	8	800	R
9	S	ZR03 10 B16	DOWEL, TUBULAR	2	14,200	R
10	S	ZR03 10 E15	SEAL, OIL	1	1,900	R
11	S	ZR03 10 E11	GEAR, STATIONARY-RR.	1	74,100	R
12	S	ZR03 10 D00	HOUSING, INTERMEDIATE	1	210,000	R
13	S	ZR03 10 R98	CAP, BLIND	1	3,700	R
14	S	ZR03 10 R47	PIPE, BREATHER	1	7,300	R

# HOUSING



NO.	CODE	PART NO.	DESCRIPTION	QTY	UNIT PRICE	REMARKS
1	S	ZR03 10 C00	HOUSING, FRONT	1	173,000	R
2	S	ZR03 10 502	GASKET, FRONT COVER	1	180	R
3	S	ZR03 10 500	COVER, FRONT	1	620,000	R
4	S	ZR03 10 E71	BOLT, TENSION	12	3,700	R
5	S	ZR03 10 E50	BOLT, TENSION	12	1,200	R
6	S	ZR03 14 239	PLUG	1	4,000	R
7	S	ZR03 10 C50	HOUSING, REAR	1	173,000	R
8	S	ZR03 10 E60	BOLT, TENSION	5	1,200	R
9	S	ZR03 10 427	GASKET	1	160	R
10	S	ZR03 10 401	PAN, OIL	1	76,000	R
11	S	ZR03 10 426	BOLT	39	400	R

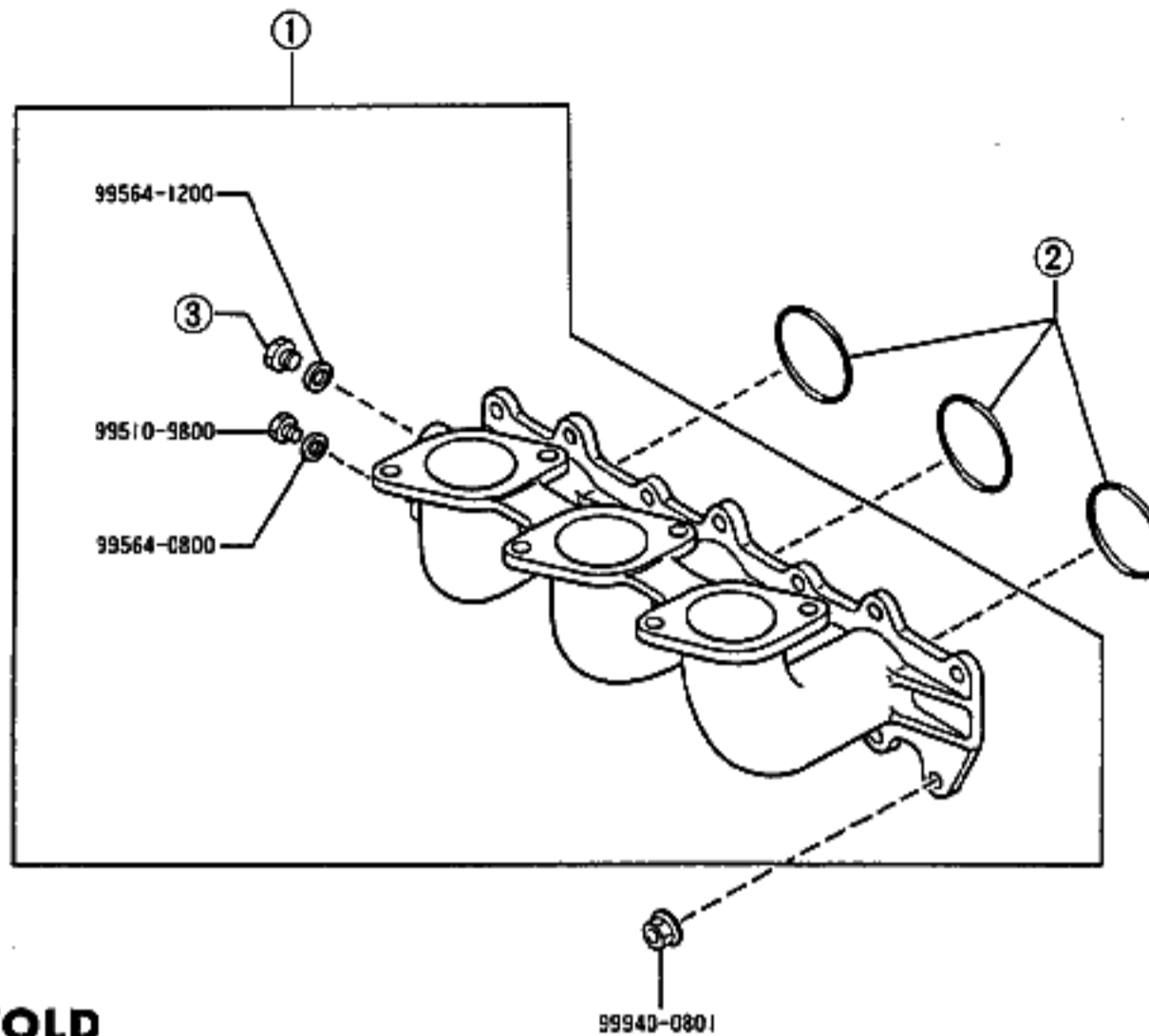
# ECCENTRIC SHAFT & FLYWHEEL



NOTE  
a ~ g → 18

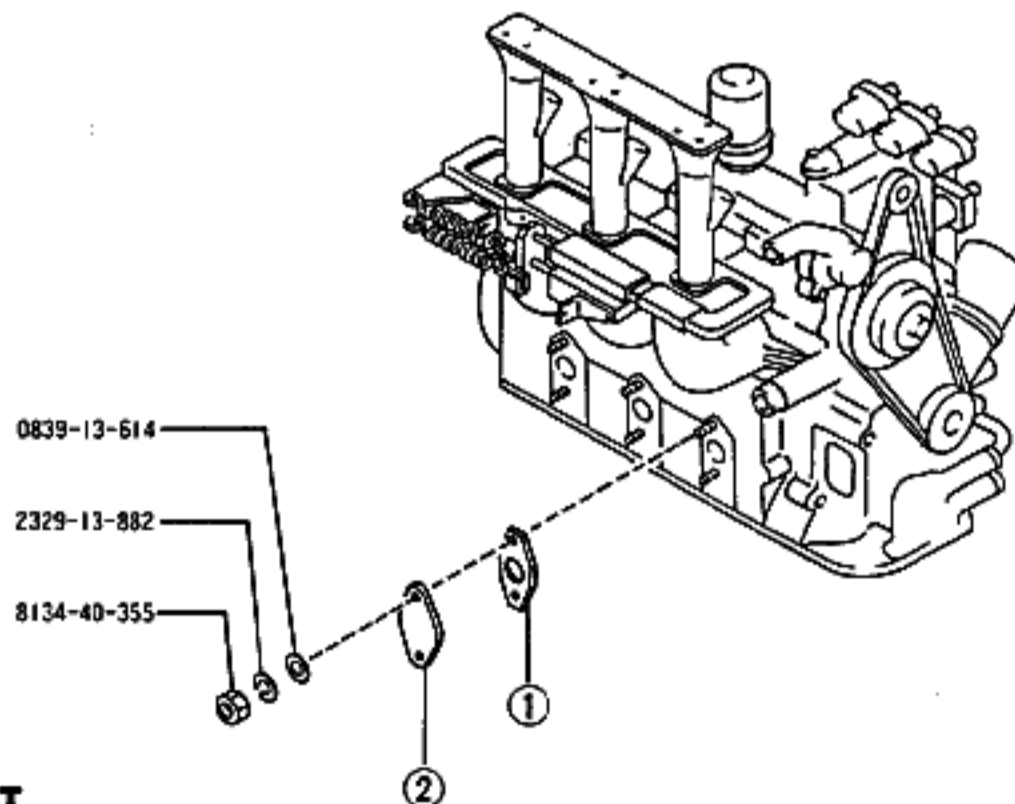
NO.	CODE	PART NO.	DESCRIPTION	QTY	UNIT PRICE	REMARKS
1	S	4801 11 752	WHEEL, FLY	1	187,000	R
2	S	ZR03 11 R98	CAP, BLIND	1	4,300	R
3	S	ZR03 11 D06	RING, "O"	2	60	R
4	S	ZR03 11 319	KEY, WOODRUFF-PULLEY	1	260	R
5	S	ZR03 11 D05	PLUG, BLIND	1	200	R
6	S	ZR03 11 D11	PLUG, OIL JET	3	600	R
7	S	ZR03 11 R73	KEY, ECCENTRIC	1	270	R
8	S	ZR03 11 D52	PLATE, THRUST	1	3,400	R
9	S	ZR03 11 D54	BEARING, NEEDLE	2	750	R
10	S	ZR03 11 D55	SPACER	1	4,100	10.00mm R
"	S	ZR03 11 D56	SPACER	1	4,100	10.02mm R
"	S	ZR03 11 D57	SPACER	1	4,100	10.04mm R
"	S	ZR03 11 D58	SPACER	1	4,100	10.06mm R
"	S	ZR03 11 D59	SPACER	1	4,100	10.08mm R
11	S	ZR03 11 D51	PLATE	1	8,900	R
12	S	ZR03 11 D53	WASHER, THRUST	1	400	R
13	S	ZR03 11 D76	GEAR, DRIVE-OIL PUMP	1	40,000	R
14	S	ZR03 11 R72	KEY	1	260	R
15	S	ZR03 11 D71	GEAR, DRIVE C/A SENSOR	1	52,000	R
16	S	ZR03 11 401	PULLEY, DRIVE	1	47,000	R
17	S	ZR03 11 412	NUT, LOCK-PULLEY	1	4,400	R
18	S	ZR03 11 S90	BALANCE SET, ECCENT. SHAFT	1	580,000	R

# INLET MANIFOLD & EXHAUST GASKET



## INLET MANIFOLD

NO.	CODE	PART NO.	DESCRIPTION	QTY	UNIT PRICE	REMARKS
1	S	ZR03 13 100	MANIFOLD, INLET	1	88,000	R
2	S	0862 78 205	RING "O"	3	190	R
3	S	0862 78 208	PLUG	1	100	R

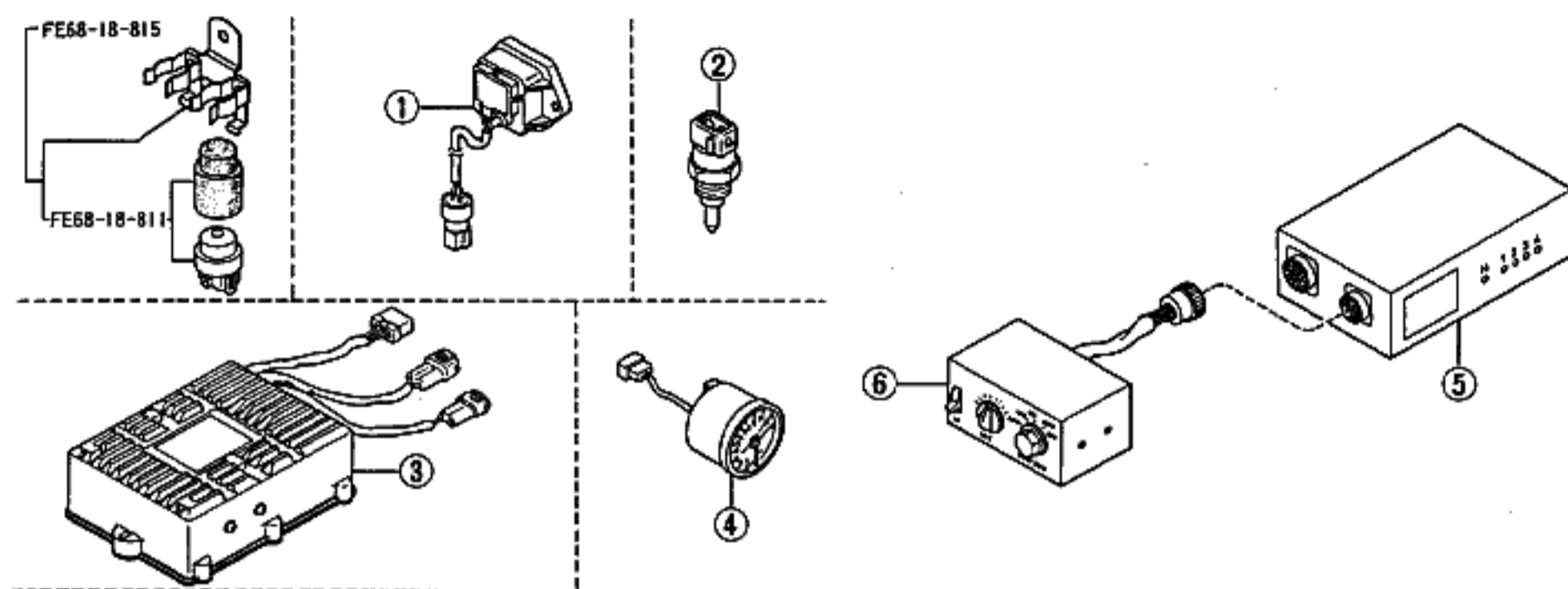


## EXHAUST GASKET

NO.	CODE	PART NO.	DESCRIPTION	QTY	UNIT PRICE	REMARKS
1	S	ZR03 13 461	GASKET, EX. MANIFOLD	3	3,200	R
2	S	ZR03 13 R98	PLATE, BLIND	3	8,600	R

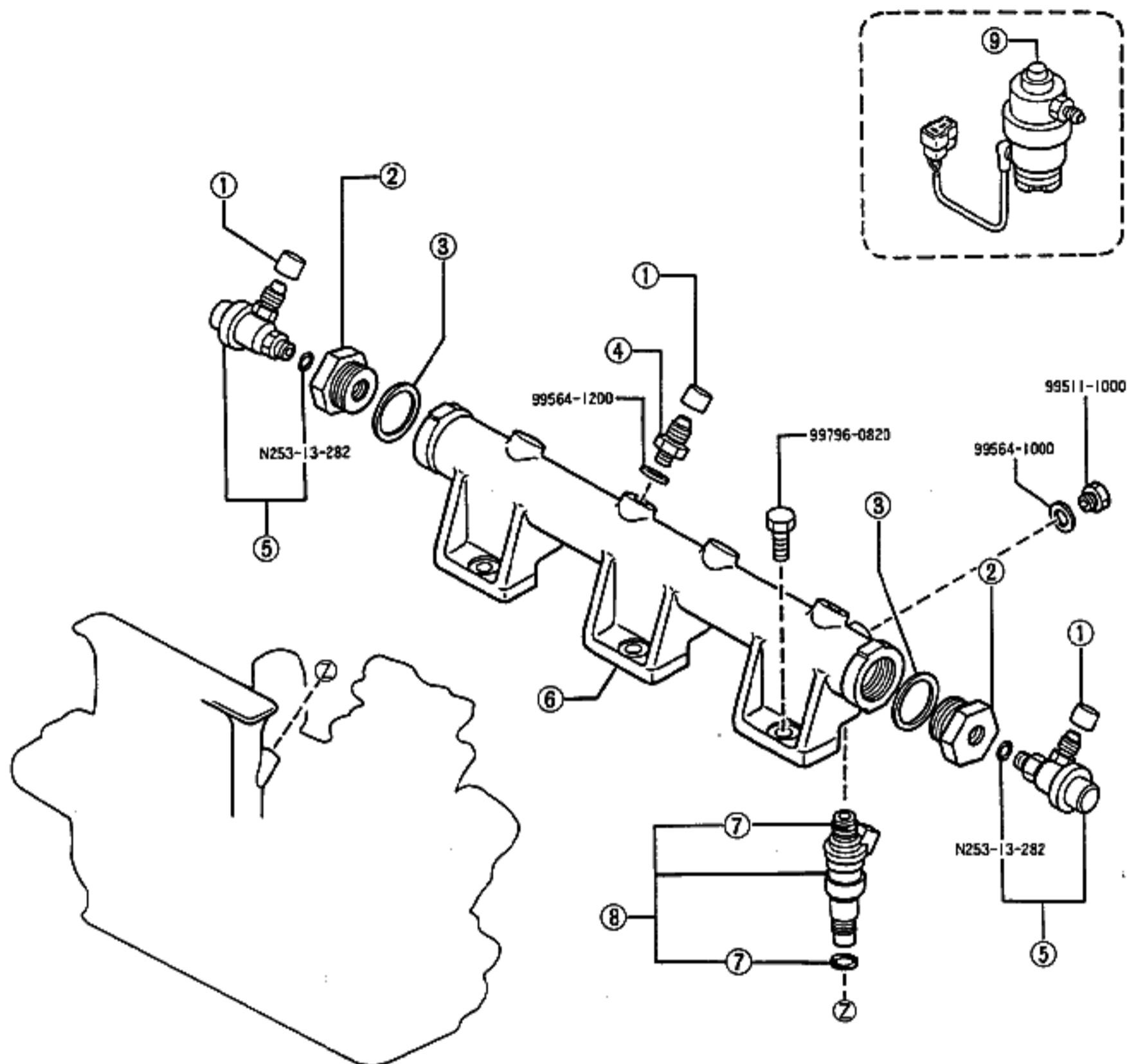


# ENGINE CONTROL SYSTEM & SUPPLEMENT



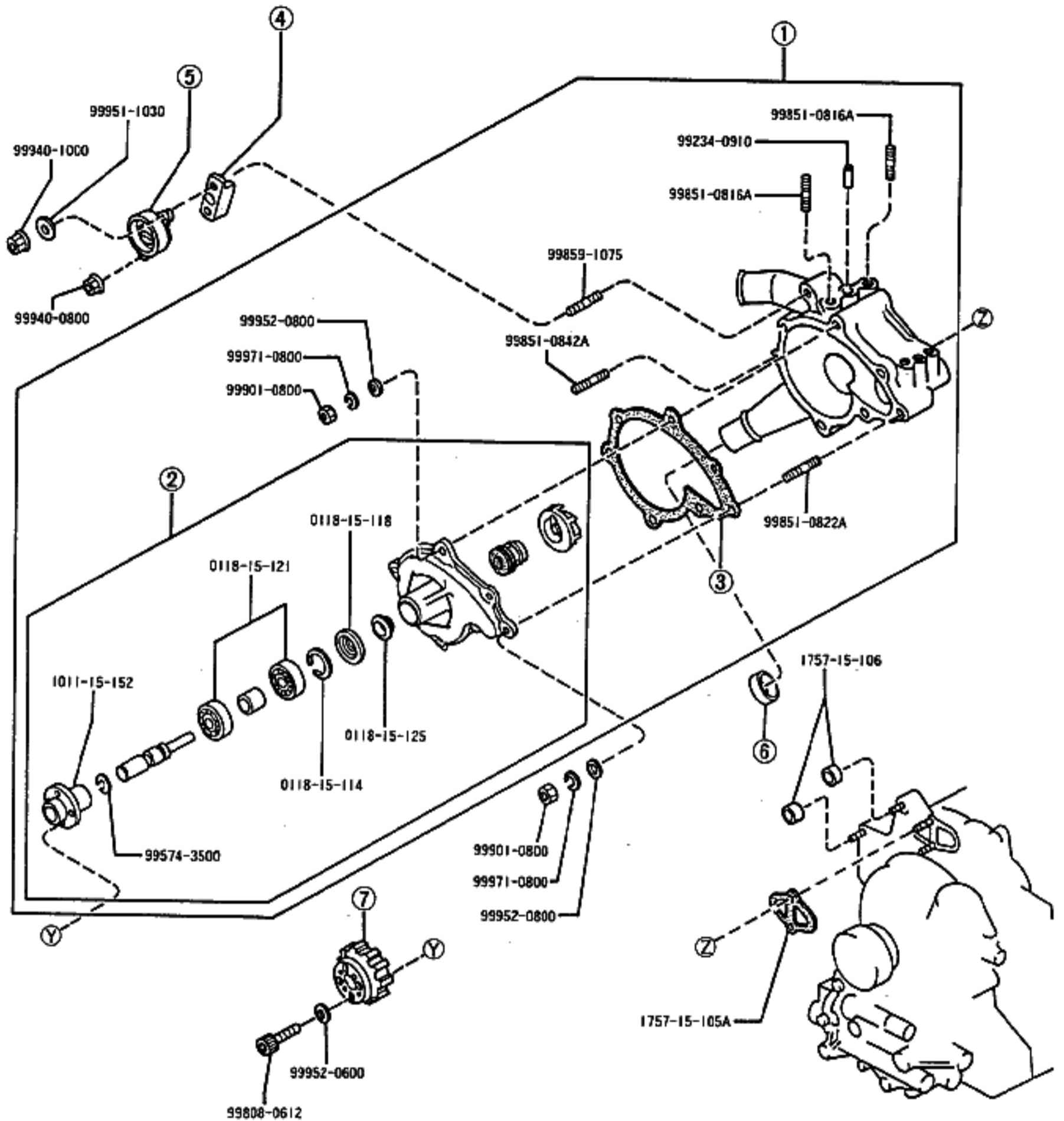
NO.	CODE	PART NO.	DESCRIPTION	QTY	UNIT PRICE	REMARKS
1	S	ZR03 18 211	SENSOR, ATMOSPHERIC PRESSURE	1	47,000	R
2	S	ZR03 18 845	SENSOR, AIR TEMP.	1	31,000	R
3	S	ZR03 18 250	IGNITER	2	26,000	R
4	S	ZR03 18 R81	TACHOMETER	1	35,000	R
5	O	ZR03 18 880	CONTROL UNIT, E.G.I.	1	830,000	R
6	S	ZR03 18 R75	BOX, CONTROL-E.C.U.	1	78,000	R
	S	ZR03 14 700	COOLER, OIL	1	70,000	3,700×5,000mm R
		9Z1A 15 200	RADIATOR	1		アルミ製 シングルコア 受注生産 R
		9Z1A 40 100	SILENCER	1		110dB R
	S	4801 18 991	COUPLER, FUEL INJECTION	6	130	R
	S	4801 18 992	COUPLER, FUEL PUMP	1	30	R
	S	4801 18 993	COUPLER, IG. COIL	6	380	R
	S	4801 18 994	COUPLER, ATMOSPHERIC PRESSURE SENSOR	1	160	R
	S	4801 18 995	COUPLER, CRANK ANGLE SENSOR	1	190	R
	S	4801 18 996	COUPLER, IGNITER	2	1,960	R
	S	4801 18 998	COUPLER, AIR/WATER TEMP SENSOR	2	330	R
	S	4801 18 999	COUPLER, THROTTLE SENSOR	1	260	R
	S	ZR03 18 052	CONNECTER, E.C.U.	1	52,000	R

# FUEL SYSTEM



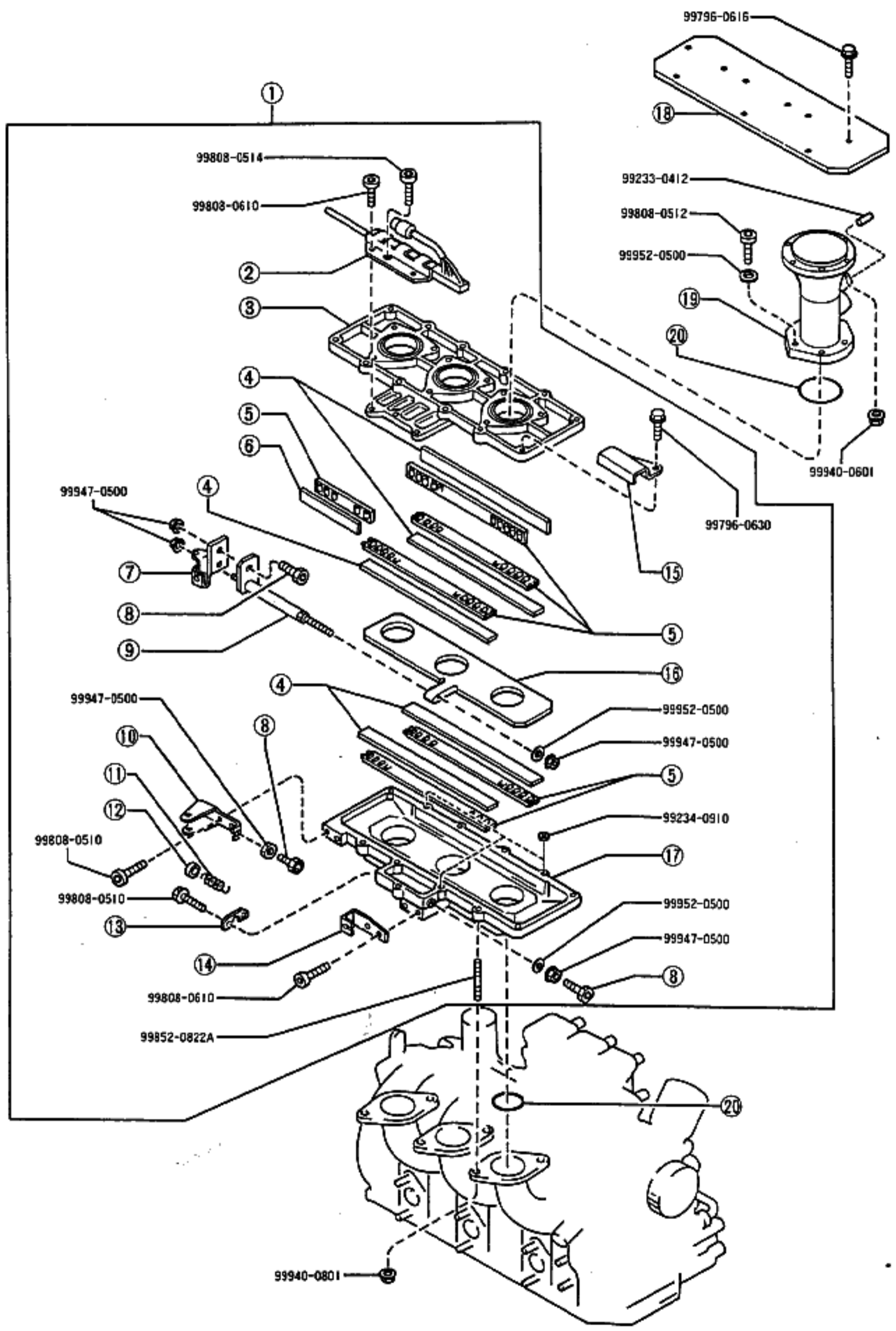
NO.	CODE	PART NO.	DESCRIPTION	QTY	UNIT PRICE	REMARKS
1	S	ZR03 13 R78	CAP, BLIND	3	130	[R]
2	S	ZR03 13 I53	BOLT, CONNECTOR	2	11,700	[R]
3	S	ZR03 13 R95	GASKET, FUEL DIS.	2	300	[R]
4	S	ZR03 13 R93	JOINT, UNION	1	12,000	#6 [R]
5	S	ZR03 13 280	PRESSURE RG., FUEL	2	14,500	[R]
6	S	ZR03 13 I51	DISTRIBUTOR, FUEL	1	74,000	[R]
7	S	ZR03 13 253	RING "O"	12	260	[R]
8	S	ZR03 13 250	INJECTOR, FUEL	6	28,000	[R]
9	S	ZR03 13 350	PUMP, FUEL	1	234,000	[R]

# WATER PUMP



NO.	CODE	PART NO.	DESCRIPTION	QTY	UNIT PRICE	REMARKS
1	S	ZR03 15 010	PUMP, WATER	1	63,000	[R]
2	S	ZR03 15 100	HOUSING, BEARING	1	53,000	[R]
3	S	ZR03 15 116	GASKET, WATER PUMP	1	180	[R]
4	S	ZR03 13 R66	SPACER, TENSIONER	1	22,000	[R]
5	S	ZR03 13 R65	BEARING, TENSIONER	1	4,000	[R]
6	S	ZR03 15 R98	CAP, WATER PUMP	2	1,100	[R]
7	S	ZR03 15 131	PULLEY, WATER PUMP	1	47,000	[R]

# THROTTLE SYSTEM

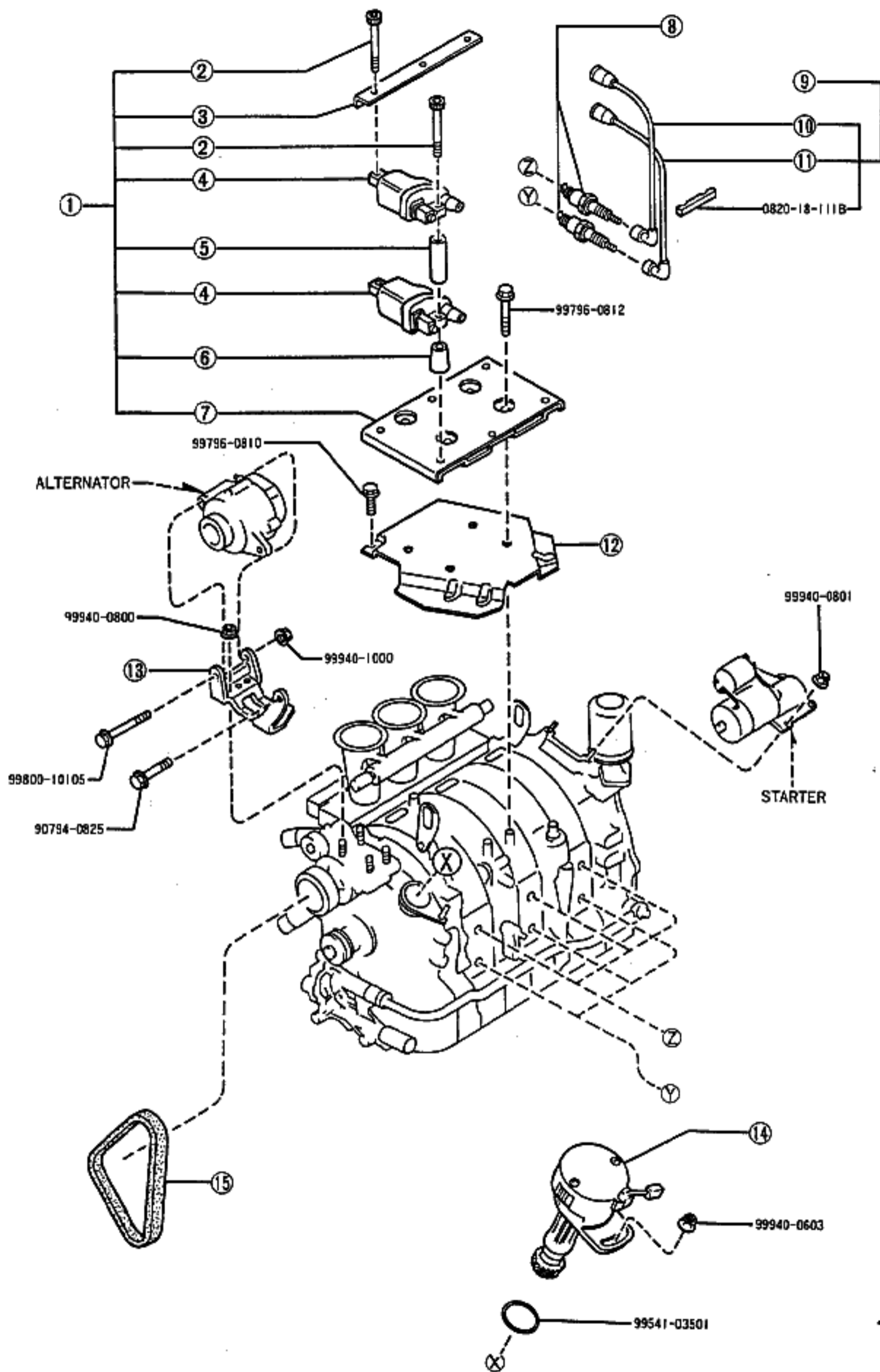


NO.	CODE	PART NO.	DESCRIPTION	QTY	UNIT PRICE	REMARKS
1	O	ZR03 13 R10	VALVE, SLIDE	1	700,000	R
2	S	ZR03 18 911	SENSOR, THROTTLE-SLIDE V.	1	52,000	R
3	S	ZR03 13 R12	COVER, SLIDE VALVE	1	135,000	R
4	S	ZR03 13 R22	GUIDE, BEARING-MAIN	5	6,500	0.6mm R
"	S	ZR03 13 R23	GUIDE, BEARING-MAIN	5	6,500	0.65mm R
"	S	ZR03 13 R24	GUIDE, BEARING-MAIN	5	6,500	0.7mm R
5	S	ZR03 13 R21	BEARING, NEEDLE	44	650	R
6	S	ZR03 13 R25	GUIDE, BEARING-SIDE	2	6,800	0.6mm R
"	S	ZR03 13 R26	GUIDE, BEARING-SIDE	2	6,800	0.65mm R
"	S	ZR03 13 R27	GUIDE, BEARING-SIDE	2	6,800	0.7mm R
7	S	ZR03 13 R40	LEVER, THROTTLE	1	50,000	R
8	S	ZR03 13 R18	BOLT, ADJUST	3	900	R
9	S	ZR03 13 R15	ROD, THROTTLE	1	5,200	R
10	S	ZR03 13 R46	BRACKET, STOPPER	1	39,000	R
11	S	ZR03 13 R37	SPRING, TENSION	2	220	SOFT TYPE R
"	S	ZR03 13 R38	SPRING, TENSION	2	220	MEDIUM TYPE R
"	S	ZR03 13 R39	SPRING, TENSION	2	220	HARD TYPE R
12	S	ZR03 13 R19	COVER, SPRING	2	250	R
13	S	ZR03 13 R17	COVER, DUST	1	3,200	R
14	S	ZR03 13 R31	BRACKET, ACCEL WIRE	1	32,000	R
15	S	ZR03 13 R97	COVER	1	15,000	R
16	S	ZR03 13 R13	PLATE, SLIDE	1	41,000	R
17	S	ZR03 13 R11	BODY, SLIDE VALVE	1	146,000	R
18	S	ZR03 13 R96	COVER, DUST-AIR HORN	1	14,500	R
19	S	ZR03 13 R61	HORN, AIR	3	70,000	R
20	S	ZR03 13 R64	RING, "O"-AIR HORN	6	120	R



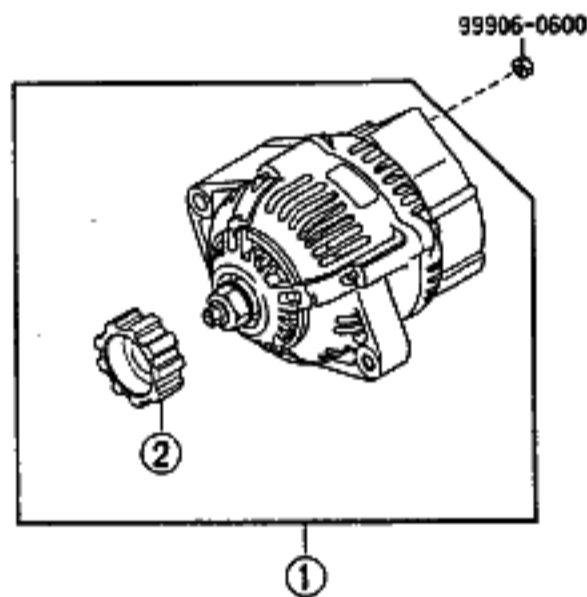
NO.	CODE	PART NO.	DESCRIPTION	QTY	UNIT PRICE	REMARKS
1	S	ZR03 14 311	BODY, OIL FILTER	1	1,400	
2	S	ZR03 14 R86	STRAINER, OIL	2	500	
3	S	ZR03 14 R90	PIPE(R), SUCTION	1	85,000	
4	S	4801 14 433	RING, "O"	2	1,430	
5	S	ZR03 14 R80	PIPE(L), SUCTION	1	85,000	
6	S	ZR03 14 R76	BOLT, CONNECTOR	1	4,600	
7	S	ZR03 14 210	PIPE, OIL-INNER	1	34,000	
8	S	ZR03 14 282	CLIP, PIPE	1	260	
9	S	ZR03 14 R50	COVER, OIL PUMP REAR	1	13,000	
10	S	ZR03 14 623	PIN	2	600	
11	S	ZR03 14 R06	SHAFT, OIL PUMP	1	17,700	
12	S	ZR03 14 R30	GEAR, OIL PUMP	2	19,300	
13	S	ZR03 14 R41	PLATE, OIL PUMP	1	51,000	
14	S	ZR03 14 R61	GEAR, OIL PUMP DRIVE	1	2,900	
15	S	ZR03 14 R05	SHAFT, OIL PUMP	1	17,700	
16	S	ZR03 14 R36	GEAR, OIL PUMP	2	14,500	
17	S	ZR03 14 239	PLUG	1	4,000	
18	S	4352 14 273	SPRING	1	1,700	
19	S	ZR03 14 R96	JOINT, UNION	1	2,100	#12
20	S	ZR03 13 R77	CAP, BLIND	1	260	
21	S	4352 14 115	PLUNGER, CONTROL	1	1,050	
22	S	ZR03 14 R20	GEAR, FEED-OIL PUMP	1	19,400	
23	S	ZR03 14 R10	COVER, OIL PUMP FRONT	1	114,000	
24	S	ZR03 14 R26	GEAR, FEED-OIL PUMP	1	14,600	
25	S	ZR03 14 R97	JOINT, UNION	1	16,700	
26	S	ZR03 14 R98	JOINT, UNION	1	2,100	#16
27	S	ZR03 13 R76	CAP, BLIND	1	260	

# ENGINE IGNITION SYSTEM, ALTERNATOR & STARTER



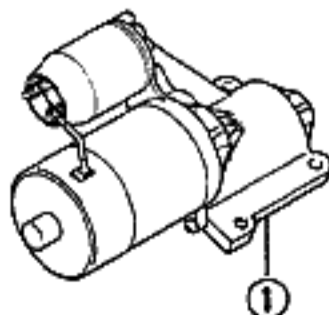


NO.	CODE	PART NO.	DESCRIPTION	QTY	UNIT PRICE	REMARKS
1	S	ZR03 18 R00	COIL, IGNITION ASS'Y.	1	140,000	R
2	S	ZR03 18 113	BOLT	6	1,500	R
3	S	ZR03 18 116	BRACKET, IG. COIL	1	2,600	R
4	S	ZR03 18 100	COIL, IGNITION	6	22,000	R
5	S	ZR03 18 118	SPACER	6	520	R
6	S	ZR03 18 109	SPACER	6	520	R
7	S	ZR03 18 106	BRACKET, IG. COIL	1	6,800	R
8	S	ZR03 18 110	PLUG, SPARK	6	3,900	HEAT RANGE #11.5 R
9	S	ZR03 18 140	CORD SET, HIGH TENSION	3	23,500	R
10	S	ZR03 18 160	CORD, HIGH TENSION-T. SIDE	3	11,700	R
11	S	ZR03 18 120	CORD, HIGH TENSION-L. SIDE	3	11,700	R
12	S	ZR03 18 105	BRACKET, IG. COIL	1	64,000	R
13	S	ZR03 18 370	BRACKET, ALTERNATOR	1	17,200	R
14	S	ZR03 18 230	SENSOR, CRANK ANGLE	1	52,000	R
15	S	ZR03 13 R67	BELT, TIMING	1	800	R



## ALTERNATOR

NO.	CODE	PART NO.	DESCRIPTION	QTY	UNIT PRICE	REMARKS
1	S	ZR03 18 300	ALTERNATOR	1	31,000	R
2	S	ZR03 18 R35	PULLEY	1	10,000	R



## STARTER

NO.	CODE	PART NO.	DESCRIPTION	QTY	UNIT PRICE	REMARKS
1	S	ZR03 18 400	STARTER	1	80,000	R