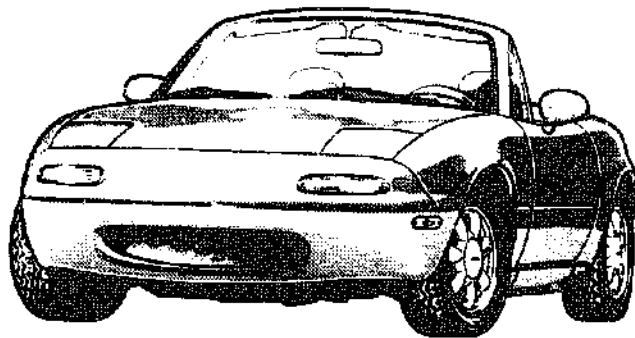


Parts Catalog

Mazda MX-5 MIATA
U.S.A.
(90)



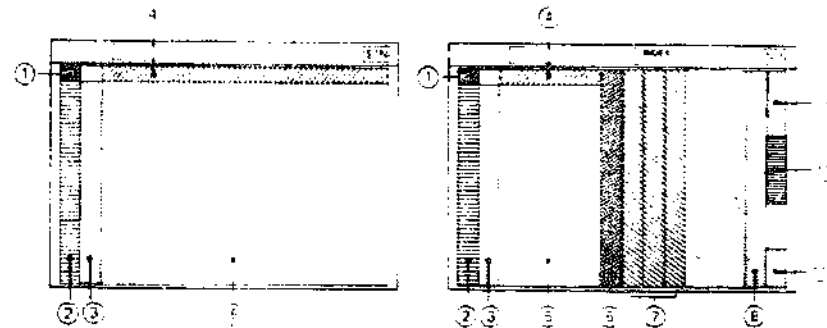
MASS-13001-30089

Feb. '92 (FINAL)
Catalog No. AU-NA01-07

MAZDA
© 1992 Mazda Motor Corporation

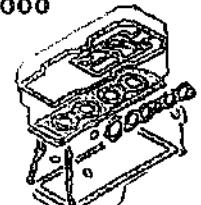
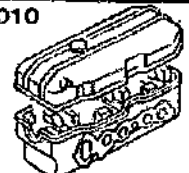
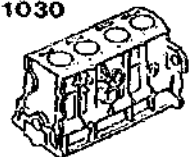
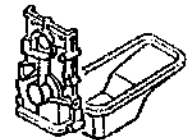
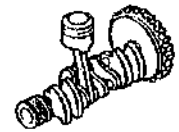
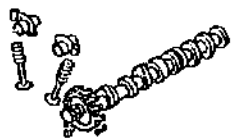
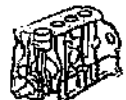
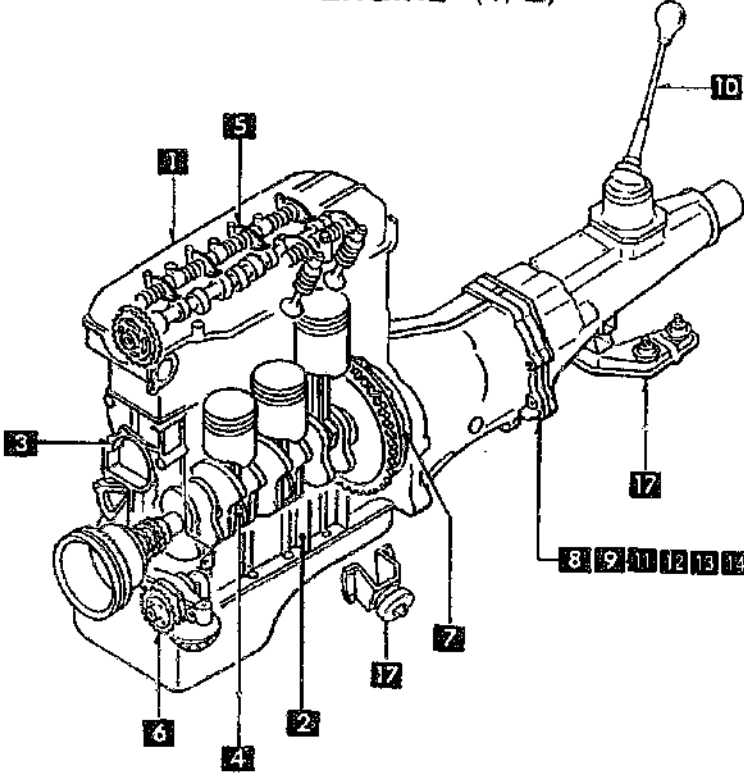
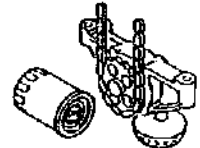
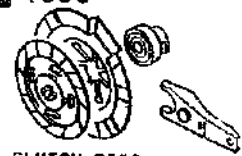

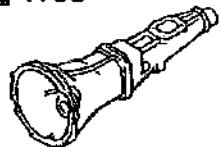
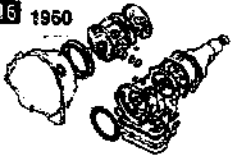
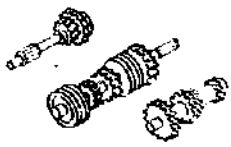

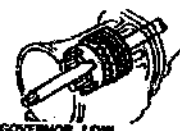

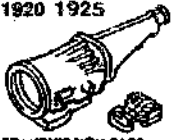
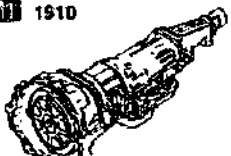
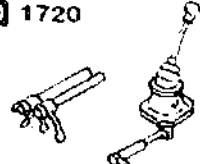
LAYOUT OF CONTENTS

- The following is a typical example of the layout of contents for Mazda microfiche parts catalog.



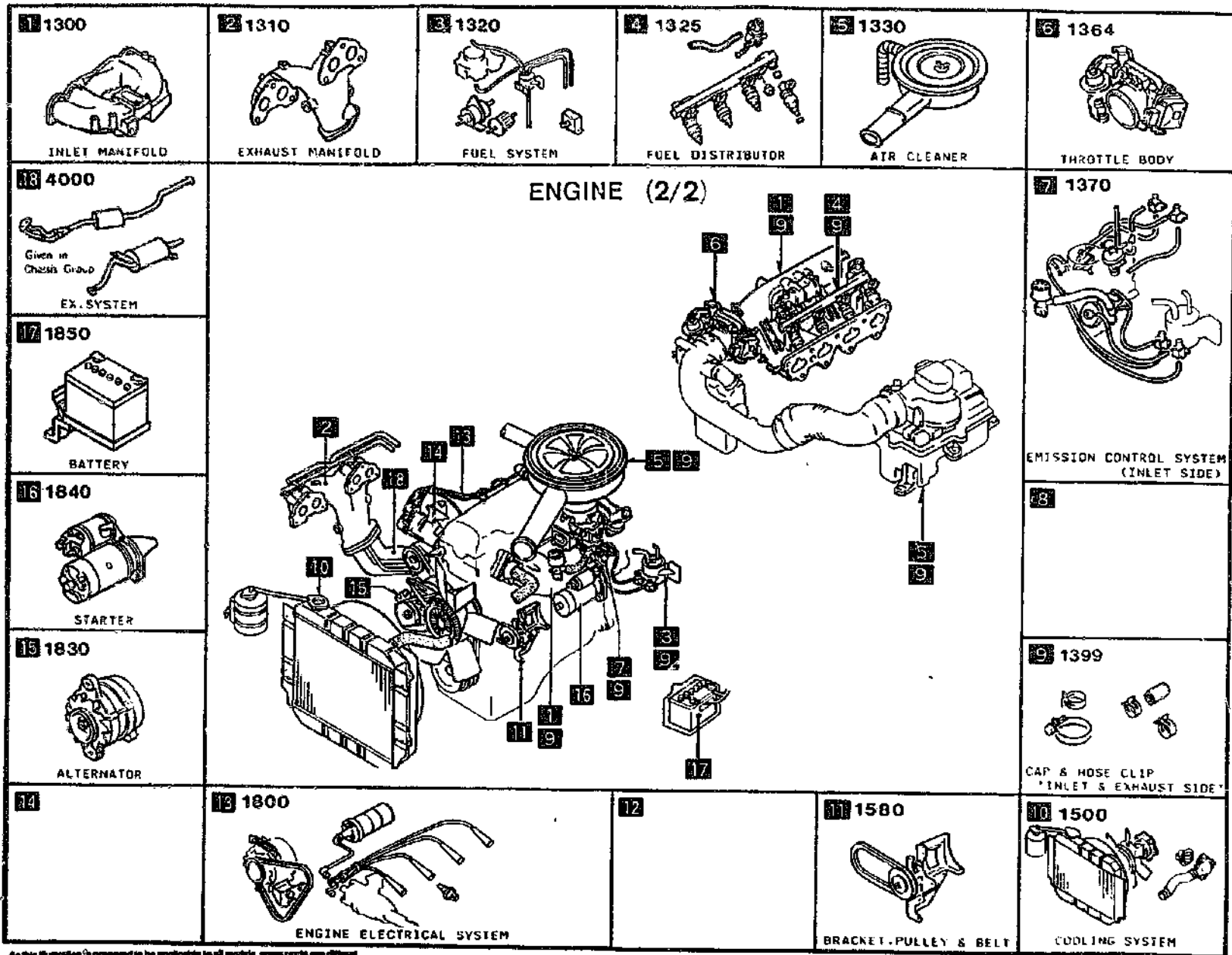
- ① - Layout of contents
- ② - Pictorial Index
- ③ - Master Section No. Index
- ④ - Section No. Index for the Column
- ⑤ - Illustration & Text
- ⑥ - Part No. Index
- ⑦ - Alphabetical Index
- ⑧ - Model Identification
- ⑨ - Vehicle Identification System

PICTORIAL INDEX

<p>1000</p> 	<p>1 1010</p>  <p>CYLINDER HEAD & COVER</p>	<p>2 1030</p>  <p>CYLINDER BLOCK</p>	<p>3 1040</p>  <p>OIL PAN & TIMING COVER</p>	<p>4 1100</p>  <p>PISTON, CRANKSHAFT & FLYWHEEL</p>	<p>5 1200</p>  <p>VALVE SYSTEM</p>
 <p>SHORT ENGINE & GASKET SETS</p>	<p style="text-align: center;">ENGINE (1/2)</p> 				<p>6 1400</p>  <p>OIL PUMP & FILTER</p>
					<p>7 1600</p>  <p>CLUTCH DISC & COVER (MANUAL)</p>
<p>17 3900</p>  <p>Given in Chassis Group</p> <p>ENGINE & TRANSMISSION MOUNTINGS</p>					<p>8 1700</p>  <p>TRANSMISSION CASE (MANUAL)</p>
<p>16 1950</p>  <p>GASKET & SEAL KIT (AUTOMATIC)</p>					<p>9 1710</p>  <p>TRANSMISSION GEARS (MANUAL)</p>
<p>13 1950</p>  <p>MANUAL LINKAGE SYSTEM (AUTOMATIC)</p>	<p>14 1940</p>  <p>GOVERNOR, LOW & REVERSE PISTON (AUTOMATIC)</p>	<p>15 1930</p>  <p>CLUTCH & PLANETARY GEARS (AUTOMATIC)</p>	<p>12 1920 1925</p>  <p>TRANSMISSION CASE & MAIN CONTROL SYSTEM (AUTOMATIC)</p>	<p>11 1910</p>  <p>TORQUE CONVERTER, OIL PUMP & PIPINGS (AUTOMATIC)</p>	<p>10 1720</p>  <p>CHANGE CONTROL SYSTEM (MANUAL)</p>

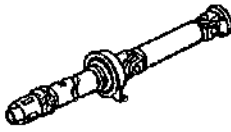
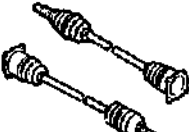





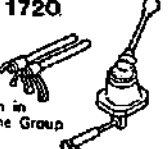
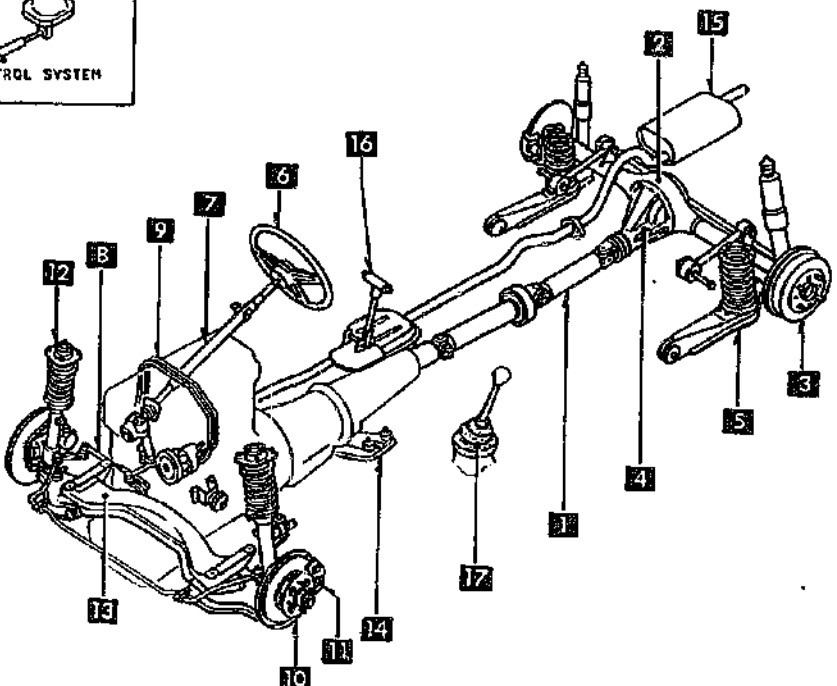
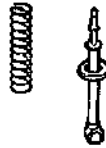
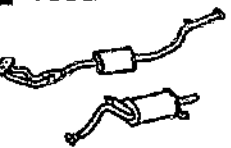





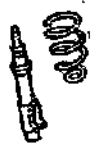


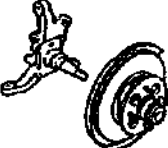
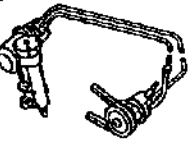

As this illustration is prepared to be applicable to all models, some parts are different in specifications from the parts listed in this parts catalog.

PICTORIAL INDEX



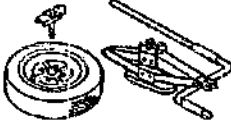



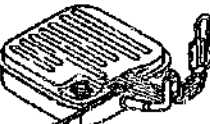

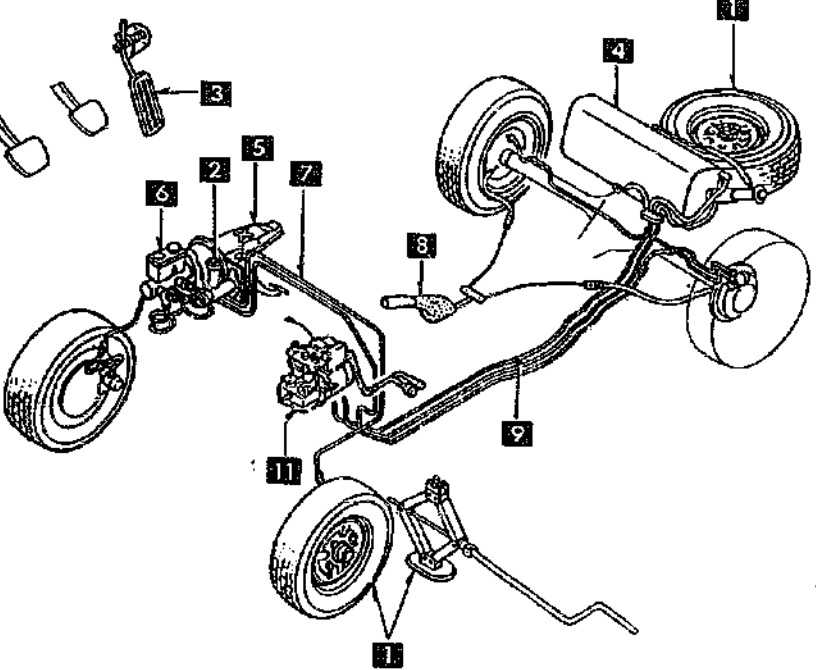




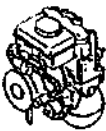
As this illustration is prepared to be applicable to all models, some parts are different in specifications from the parts listed in this parts Catalog.

PICTORIAL INDEX

<p>1 2505</p>  <p>REAR PROPELLER SHAFT</p>	<p>2 2550</p>  <p>REAR DRIVE SHAFTS</p>	<p>2600</p>  <p>REAR AXLE</p>	<p>3 2610</p>  <p>REAR BRAKE MECHANISMS</p>	<p>4 2710</p>  <p>REAR DIFFERENTIALS</p>	<p>5 2800 2810</p>  <p>REAR SUSPENSION MECHANISM REAR STABILIZER</p>			
<p>16 4600</p>  <p>CHANGE CONTROL SYSTEM (AUTOMATIC)</p>	<p>17 1720</p> <p>Given in Engine Group</p>  <p>CHANGE CONTROL SYSTEM (MANUAL)</p>	<h3 style="margin: 0;">CHASSIS (1/2)</h3> 			<p>2801</p>  <p>REAR SPRING & DAMPER</p>			
<p>15 4000</p>  <p>EXHAUST SYSTEM</p>				<p>2830</p>  <p>REAR LOWER ARMS & SUB FRAME</p>				
<p>14 3900</p>  <p>ENGINE & TRANSMISSION MOUNTINGS</p>				<p>6 3200</p>  <p>STEERING WHEEL</p>				
<p>13 3410</p>  <p>CROSSMEMBER & STABILIZER</p>				<p>7 3210</p>  <p>STEERING COLUMN & SHAFTS</p>				
<p>12 3401</p>  <p>FRONT SPRING & DAMPER</p>				<p>3400</p>  <p>FRONT SUSPENSION MECHANISMS</p>	<p>11 3310</p>  <p>FRONT BRAKE MECHANISMS</p>	<p>10 3300</p>  <p>FRONT AXLE</p>	<p>9 3240</p>  <p>POWER STEERING SYSTEM</p>	<p>8 3220</p>  <p>STEERING GEAR</p>

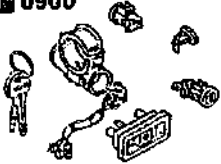

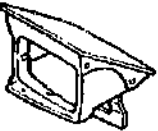

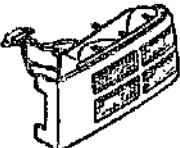
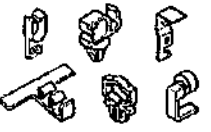
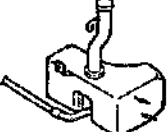
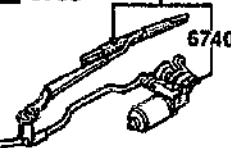
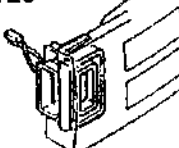

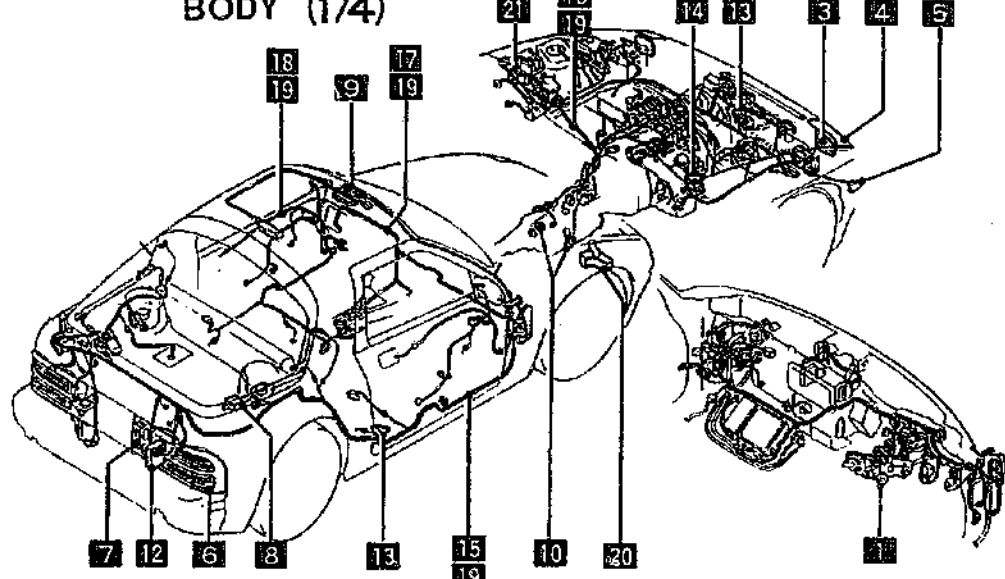




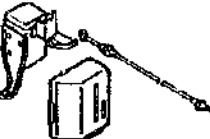
As this illustration is prepared to be applicable to all models, some parts are different in specifications from the parts listed in this parts catalog.

PICTORIAL INDEX

<p>1 3700</p>  <p>TIRES & JACK</p>	<p>2 4140</p>  <p>CLUTCH RELEASE & MASTER CYLINDERS (MANUAL TRANSMISSION)</p>	<p>4145</p>  <p>CLUTCH PIPINGS (MANUAL TRANSMISSION)</p>	<p>3 4160</p>  <p>ACCELERATOR CONTROL SYSTEM</p>	<p>4 4200</p>  <p>FUEL TANK</p>	<p>5 4300</p>  <p>CLUTCH & BRAKE PEDALS</p>
<p>CHASSIS (2/2)</p> 					
<p>6 4340</p>  <p>BRAKE MASTER CYLINDER & POWER BRAKE</p> <p>7 4360</p>  <p>BRAKE PIPINGS</p> <p>8 4400</p>  <p>PARKING BRAKE SYSTEM</p> <p>9 4500</p>  <p>FUEL PIPINGS</p> <p>11 4370</p>  <p>ANTILOCK BRAKE SYSTEM</p>					



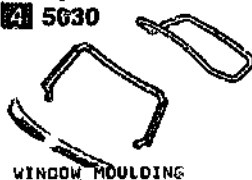
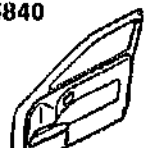


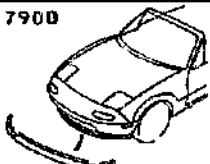

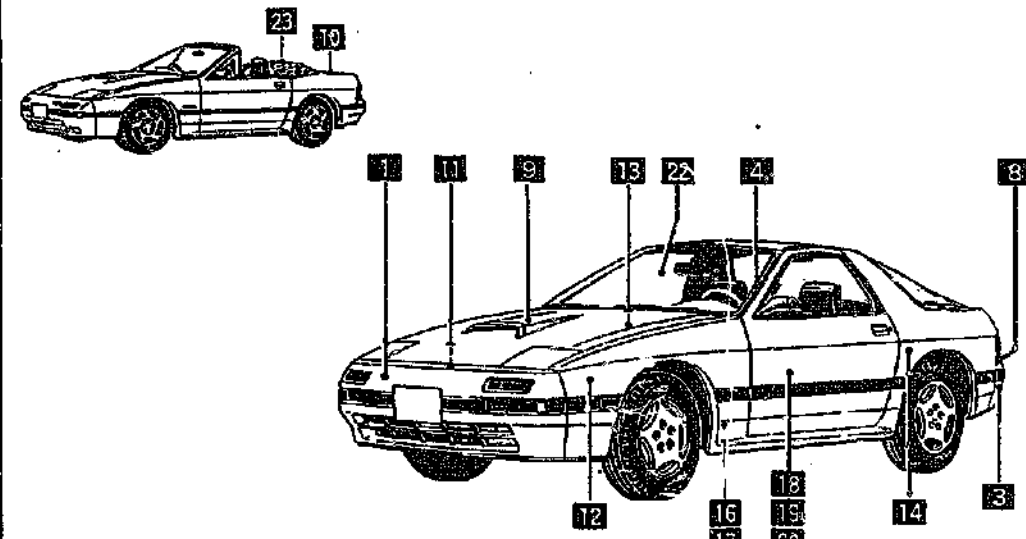
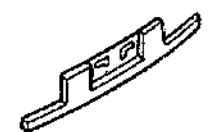

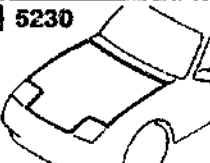



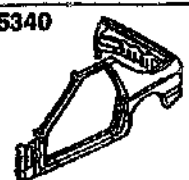
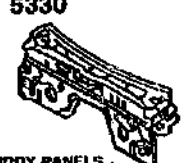
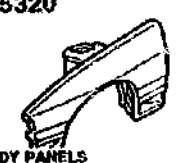
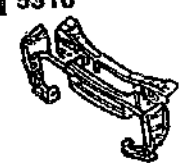
As the illustration is prepared to be applicable to all models, some parts are different in specifications from the parts listed in this parts Catalog

PICTORIAL INDEX

<p>1 0900</p>  <p>KEY SETS</p>	<p>2</p>	<p>3 5100</p>  <p>HEAD LAMPS</p>	<p>4 5103</p>  <p>HEAD LAMP RETRACTORS</p>	<p>5 5105</p>  <p>FRONT COMBINATION LAMPS</p>	<p>6 5110</p>  <p>REAR COMBINATION LAMPS</p>
<p>19 6704</p>  <p>WIRING HARNESS CLAMPS</p>	<p>20 6720</p>  <p>WINDSHIELD WASHER</p>	<p>21 6730</p>  <p>WINDSHIELD WIPERS</p>			<p>7 5120</p>  <p>LICENSE LAMPS</p>
<p>18 6703</p>  <p>WIRING HARNESSSES (DOOR, FLOOR/CEILING)</p>	<p>18 19 9 19 21 16 19 14 13 3 4 5 7 12 6 8 13 15 19 10 20 11</p> <p>BODY (1/4)</p> 				<p>8</p>
<p>17 6702</p>  <p>WIRING HARNESSSES (DASHBOARD)</p>					<p>9</p>
<p>16 6701</p>  <p>WIRING HARNESSSES (ENGINE & TRANSMISSION)</p>					<p>10 6600</p>  <p>SWITCHES & RELAYS (ENGINE)</p>
<p>15 6700</p>  <p>WIRING HARNESSSES (FRONT & REAR)</p>					<p>17 6640</p>  <p>AUTO CRUISE CONTROL SYSTEM</p>


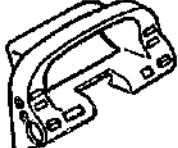

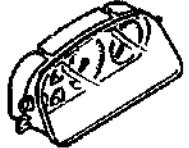
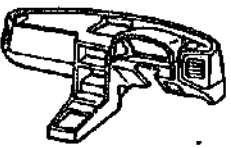
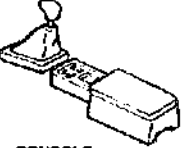
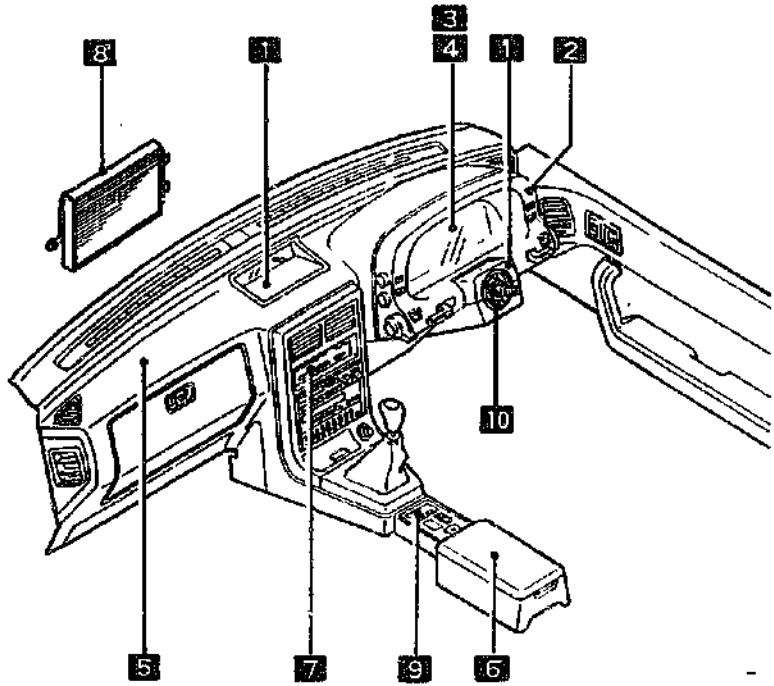




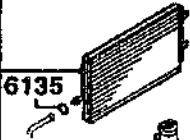



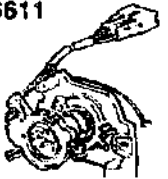
As this illustration is prepared to be applicable to all models, some parts are different in specifications from the parts listed in this parts Catalog

PICTORIAL INDEX

<p>11 5000</p>  <p>FRONT BUMPER</p>		<p>13 5010</p>  <p>REAR BUMPER</p>	<p>14 5030</p>  <p>WINDOW MOULDING & COWL GRILLES</p>		
<p>20 5840</p>  <p>FRONT DOOR TRIMS & RELATED PARTS</p>	<p>21</p>	<p>22 6300</p>  <p>WINDOW GLASSES</p>	<p>23 6330</p>  <p>SUNROOF</p>	<p>24 7900</p>  <p>ACCESSORIES</p>	<p>16</p>
<p>19 5830</p>  <p>FRONT DOOR MECHANISMS</p>	<p>BODY (2/4)</p> 				<p>18 5180</p>  <p>REAR FINISHER</p>
<p>18 5800</p>  <p>FRONT DOORS</p>					<p>9 5230</p>  <p>BONNET</p>
<p>17 5390</p> <p>5380</p>  <p>FLOOR ATTACHMENTS</p>					<p>10 5260</p>  <p>TRUNK LID</p>
<p>16 5370</p>  <p>BODY PANELS (FLOOR)</p>	<p>15</p>	<p>14 5340</p>  <p>BODY PANELS (SIDE)</p>	<p>13 5330</p>  <p>BODY PANELS (DASH & COWL PANEL)</p>	<p>12 5320</p>  <p>BODY PANELS (FENDER & WHEEL APRON)</p>	<p>11 5310</p>  <p>BODY PANELS (FRONT)</p>




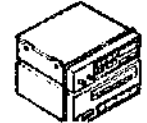
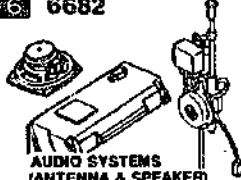
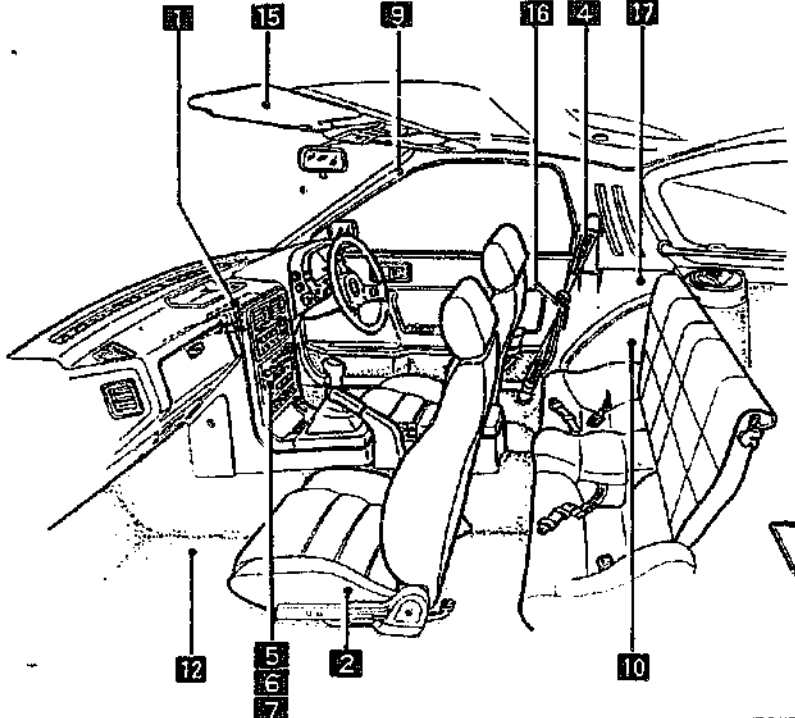
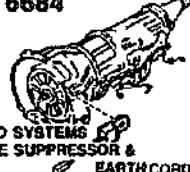
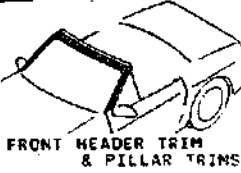

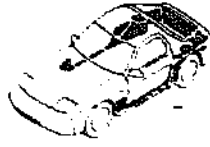



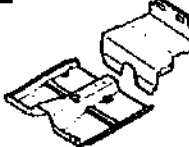
As this subsection is prepared to be applicable to all models, some parts are different in specifications from the parts listed in this parts Catalog

PICTORIAL INDEX

<p>1 5500</p>  <p>DASHBOARD EQUIPMENTS</p>	<p>2 5520</p>  <p>METER HOOD</p>	<p>3 5530</p>  <p>SPEEDOMETER CABLE</p>	<p>4 5540</p>  <p>METER COMPONENTS</p>	<p>5 5560</p>  <p>DASHBOARD & RELATED PARTS</p>	<p>6 5570</p>  <p>CONSOLE</p>
<p style="text-align: center;">BODY (3/4)</p> 					
<p style="text-align: right;">7</p>  <p>6120</p>  <p>6100</p>  <p>6110</p>  <p>6115 HEATER</p>					
<p style="text-align: right;">8 6130</p>  <p>6135</p>  <p>6140</p>  <p>6135 6150</p> <p style="text-align: center;">AIR CONDITIONER</p>					
<p style="text-align: right;">9 6610</p>  <p>DASHBOARD SWITCHES</p>					
<p style="text-align: right;">10 6611</p>  <p>COMBINATION SWITCH</p>					

As this illustration is prepared to be applicable to all models, some parts are different in specifications from the parts listed in this parts Catalog.

PICTORIAL INDEX

<p>1 5580</p>  <p>VENTILATOR</p>	<p>2 5700</p>  <p>SEATS</p>	<p>3</p>	<p>4 5790</p>  <p>SEAT BELTS</p>	<p>5 6680</p>  <p>AUDIO SYSTEMS (RADIO & TAPE DECK)</p>	<p>6 6682</p>  <p>AUDIO SYSTEMS (ANTENNA & SPEAKER)</p>		
<p>BODY (4/4)</p> 						<p>7 6684</p>  <p>AUDIO SYSTEMS (NOISE SUPPRESSOR & EARTH CORD)</p>	
						<p>8</p>	
						<p>9 6820</p>  <p>FRONT HEADER TRIM & PILLAR TRIMS</p>	
<p>17 7250</p>  <p>REAR WINDOW GLASSES & TRIMS</p>							<p>10 6840</p>  <p>TRIMS & SCUFF PLATES</p>
<p>16 6930</p>  <p>CAUTION PLATES & LABELS</p>	<p>15 6900</p>  <p>VISORS, ASSIST HANDLES & MIRRORS</p>	<p>14 6870</p>  <p>SERVICE TOOLS</p>	<p>13</p>	<p>12 6860</p>  <p>FLOOR MATS & PADS</p>	<p>11</p>		

As this illustration is prepared to be applicable to all models, some parts are different in specifications from the parts listed in this parts catalog.

SECTION NAME INDEX (ENGINE)

LD.NO	SEC.NO	SECTION NAME	LD.NO	SEC.NO	SECTION NAME	LD.NO	SEC.NO	SECTION NAME
1-C03	1000	SHORT ENGINE & GASKET SETS						
1-D03	1010	CYLINDER HEAD & COVER						
1-G03	1030	CYLINDER BLOCK						
1-I03	1040	OIL PAN & TIMING COVER						
1-K03	1100	PISTON, CRANKSHAFT & FLYWHEEL						
1-N03	1200	VALVE SYSTEM						
1-O04	1300	INLET MANIFOLD						
1-E04	1310	EXHAUST MANIFOLD						
1-F04	1320	FUEL SYSTEM						
1-H04	1325	FUEL DISTRIBUTOR						
1-I04	1330	AIR CLEANER						
1-K04	1364	THROTTLE BODY						
1-L04	1370	EMISSION CONTROL SYSTEM (INLET SIDE)						
1-M04	1399	CAP & HOSE CLIP (INLET & EXHAUST SIDE)						
1-N04	1400	OIL PUMP & FILTER						
1-C05	1500	COOLING SYSTEM						
1-G05	1580	BRACKET, PULLEY & BELT						
1-C06	1600	CLUTCH DISC & COVER (MANUAL)						
1-D06	1700	TRANSMISSION CASE (MANUAL)						
1-E06	1710	TRANSMISSION GEARS (MANUAL)						
1-J06	1720	CHANGE CONTROL SYSTEM (MANUAL)						
1-M06	1800	ENGINE ELECTRICAL SYSTEM						
1-C07	1830	ALTERNATOR						
1-E07	1840	STARTER						
1-G07	1850	BATTERY						
1-H07	1910	TORQUE CONVERTER, OIL PUMP & PIPINGS (AUTOMATIC)						
1-K07	1920	TRANSMISSION CASE & MAIN CONTROL SYSTEM (AUTOMATIC)						
1-E08	1925	CONTROL VALVE (AUTOMATIC)						
1-I08	1930	CLUTCHES & PLANETARY GEARS (AUTOMATIC)						
1-D09	1940	GOVERNOR, LOW & REVERSE PISTON (AUTOMATIC)						
1-G09	1950	MANUAL LINKAGE SYSTEM (AUTOMATIC)						
1-I09	1960	GASKET & SEAL KIT (AUTOMATIC)						

CATLOG-NO- AUNA01-07

DATE. 1992-02

SECTION NAME INDEX (CRASSIS)

LO.NO	SEC.NO	SECTION NAME	LO.NO	SEC.NO	SECTION NAME	LO.NO	SEC.NO	SECTION NAME
1-C11	2505	REAR PROPELLER SHAFT	1-J16	4400	PARKING BRAKE SYSTEM			
1-D11	2550	REAR DRIVE SHAFT	1-L16	4500	FUEL PIPINGS			
1-E11	2600	REAR AXLE	2-C03	4600	CHANGE CONTROL SYSTEM (AT)			
1-F11	2610	REAR BRAKE MECHANISMS						
1-H11	2710	REAR DIFFERENTIALS (NORMAL DIFF.)						
1-L11	2710 A	REAR DIFFERENTIALS (LIMITED SLIP DIFF.)						
1-D12	2800	REAR SUSPENSION MECHANISMS						
1-E12	2801	REAR SPRING & DAMPER						
1-F12	2810	REAR STABILIZER						
1-G12	2830	REAR LOWER ARMS & SUB FRAME						
1-I12	3200	STEERING WHEEL						
1-L12	3210	STEERING COLUMN & SHAFTS						
1-M12	3220	STEERING GEAR (W/O POWER STEERING)						
1-C13	3220 A	STEERING GEAR (W/ POWER STEERING)						
1-F13	3240	POWER STEERING SYSTEM						
1-M13	3300	FRONT AXLE						
1-E13	3310	FRONT BRAKE MECHANISMS						
1-K13	3400	FRONT SUSPENSION MECHANISMS						
1-M13	3401	FRONT SPRING & DAMPER						
1-N13	3410	CROSSMEMBER & STABILIZER						
1-C14	3700	TIRES & JACK						
1-C15	3900	ENGINE & T/MISSION MOUNTINGS						
1-D15	4000	EXHAUST SYSTEM						
1-F15	4140	CLUTCH RELEASE & MASTER CYLINDERS (MANUAL TRANSMISSION)						
1-G15	4145	CLUTCH PIPINGS (MANUAL TRANSMISSION)						
1-M15	4160	ACCELERATOR CONTROL SYSTEM						
1-I15	4200	FUEL TANK						
1-M15	4300	CLUTCH & BRAKE PEDALS (MANUAL TRANSMISSION)						
1-D16	4300A	BRAKE PEDALS (AUTOMATIC TRANSMISSION)						
1-F16	4340	BRAKE MASTER CYLINDER & POWER BRAKE						
1-H16	4360	BRAKE PIPINGS						

SECTION NAME INDEX (BODY)

LO.NO	SEC.NO	SECTION NAME	LO.NO	SEC.NO	SECTION NAME	LU.NO	SEC.NO	SECTION NAME
2-C05	0900	KEY SETS	2-E12	6115	HEATER CONTROLS COMPONENTS	3-C03	7900	ACCESSORIES
2-E05	5000	FRONT BUMPER	2-F12	6120	HEATER BLOWER COMPONENTS			
2-H05	5010	REAR BUMPER	2-G12	6130	AIR CONDITIONER			
2-J05	5030	WINDOW MOULDING & COWL GRILLES	2-K12	6135	O RING SET, PIPING			
2-L05	5100	HEAD LAMPS	2-L12	6140	COMPRESSOR COMPONENTS (AIR CON DITIONER)			
2-M05	5103	HEAD LAMP RETRACTORS	2-N12	6150	COOLING UNIT (AIR CONDITIONER)			
2-D06	5105	FRONT COMBINATION LAMPS	2-C13	6300	WINDOW GLASSES			
2-F06	5110	REAR COMBINATION LAMPS	2-D13	6330	SUNROOF			
2-I06	5120	LICENSE LAMPS	2-M13	6600	SWITCHES & RELAYS (ENGINE)			
2-J06	5180	REAR FINISHER	2-O14	6610	DASHBOARD SWITCHES			
2-L06	5230	BONNET	2-E14	6611	COMBINATION SWITCH			
2-N06	5260	TRUNK LID	2-F14	6630	RELAYS & UNIT (BODY)			
2-D07	5310	BODY PANELS (FRONT)	2-G14	6635	ODOR SWITCH & HORNS			
2-E07	5320	BODY PANELS (FENDER & WHEEL AP RON)	2-H14	6640	AUTO CRUISE CONTROL SYSTEM			
2-H07	5330	BODY PANELS (DASH & COWL PANEL)	2-I14	6680	AUDIO SYSTEMS (RADIO & TAPE DE CK)			
2-I07	5340	BODY PANELS (SIDE)	2-K14	6682	AUDIO SYSTEMS (ANTENNA & SPEAK ER)			
2-C08	5370	BODY PANELS (FLOOR)	2-L14	6700	WIRING HARNESSSES(FRONT & REAR)			
2-F08	5380	FLOOR ATTACHMENTS (HOLE COVERS)	2-N14	6701	WIRING HARNESSSES(ENGINE & T/MT SSION)			
2-G08	5390	FLOOR ATTACHMENTS	2-D15	6702	WIRING HARNESSSES(DASHBOARD)			
2-C09	5500	DASHBOARD EQUIPMENTS	2-E15	6703	WIRING HARNESSSES(DOOR, FLOOR/CE ILING)			
2-E09	5520	METER HOOD	2-F15	6704	WIRING HARNESS CLAMPS			
2-F09	5530	SPEEDOMETER CABLE	2-I15	6720	WINDSHIELD WASHER			
2-G09	5540	METER COMPONENTS	2-K15	6730	WINDSHIELD WIPERS			
2-I09	5560	DASHBOARD & RELATED PARTS	2-M15	6740	WIPER MOTOR COMPONENTS(FRONT)			
2-L09	5570	CONSOLE	2-N15	6820	FRONT HEADER TRIM & PILLAR TRI MS			
2-C10	5580	VENTILATOR	2-C16	6840	TRIMS & SCUFF PLATES			
2-D10	5700	SEATS	2-E16	6860	FLOOR MATS & PADS			
2-K10	5790	SEAT BELTS	2-G16	6870	SERVICE TOOLS			
2-L10	5800	FRONT DOORS	2-H16	6900	VISORS, ASSIST HANDLES & MIRROR S			
2-C11	5830	FRONT DOOR MECHANISMS	2-J16	6930	CAUTION PLATES & LABELS			
2-F11	5840	FRONT DOOR TRIMS & RELATED PAR TS	2-L16	7250	QUARTER WINDOW & TRIMS			
2-C12	6100	HEATER						
2-D12	6110	HEATER UNIT COMPONENTS						

CATLOG-NO- AUNA01-07

DATE. 1992-02

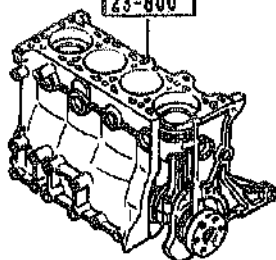
SECTION NAME INDEX (ENGINE)

LO.NO	SEC.NO	SECTION NAME	LO.NO	SEC.NO	SECTION NAME	LO.NO	SEC.NO	SECTION NAME
1-C03	1000	SHORT ENGINE & GASKET SETS						
1-D03	1010	CYLINDER HEAD & COVER						
1-G03	1030	CYLINDER BLOCK						
1-I03	1040	OIL PAN & TIMING COVER						
1-K03	1100	PISTON, CRANKSHAFT & FLYWHEEL						
1-N03	1200	VALVE SYSTEM						
1-D04	1300	INLET MANIFOLD						
1-E04	1310	EXHAUST MANIFOLD						
1-F04	1320	FUEL SYSTEM						
1-H04	1325	FUEL DISTRIBUTOR						
1-I04	1330	AIR CLEANER						
1-K04	1364	THROTTLE BODY						
1-L04	1370	EMISSION CONTROL SYSTEM (INLET SIDE)						
1-M04	1399	CAP & HOSE CLIP (INLET & EXHAUST SIDE)						
1-N04	1400	OIL PUMP & FILTER						
1-C05	1500	COOLING SYSTEM						
1-G05	1580	BRACKET, PULLEY & BELT						
1-C06	1600	CLUTCH DISC & COVER (MANUAL)						
1-D06	1700	TRANSMISSION CASE (MANUAL)						
1-E06	1710	TRANSMISSION GEARS (MANUAL)						
1-J06	1720	CHANGE CONTROL SYSTEM (MANUAL)						
1-M06	1800	ENGINE ELECTRICAL SYSTEM						
1-C07	1830	ALTERNATOR						
1-E07	1840	STARTER						
1-G07	1850	BATTERY						
1-H07	1910	TORQUE CONVERTER, OIL PUMP & PIPINGS (AUTOMATIC)						
1-K07	1920	TRANSMISSION CASE & MAIN CONTROL SYSTEM (AUTOMATIC)						
1-E08	1925	CONTROL VALVE (AUTOMATIC)						
1-I08	1930	CLUTCHES & PLANETARY GEARS (AUTOMATIC)						
1-D09	1940	GOVERNOR, LOW & REVERSE PISTON (AUTOMATIC)						
1-G09	1950	MANUAL LINKAGE SYSTEM (AUTOMATIC)						
1-I09	1960	GASKET & SEAL KIT (AUTOMATIC)						

1000 SHORT ENGINE & GASKET SETS

10-271S

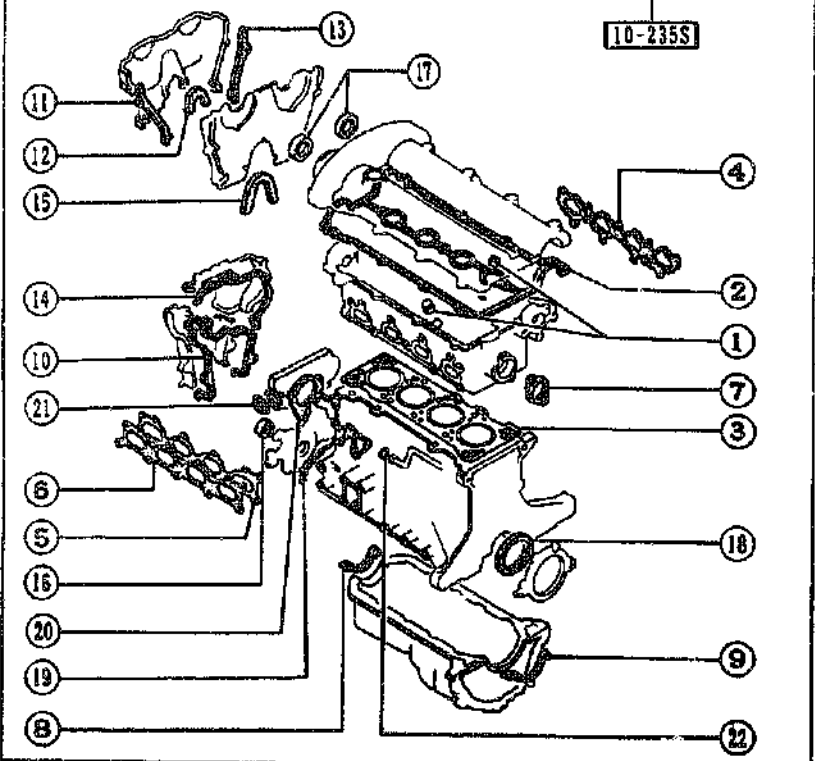
- 1-SEAL, VALVE.....(16)
- 2-GASKET, HEAD COVER.....(1)
- 3-GASKET, CYLINDER HEAD.....(1)
- 4-GASKET, IN. MANIFOLD.....(1)
- 5-GASKET, EX. MANIFOLD.....(1)
- 6-GASKET, EX. MANIFOLD.....(1)
- 7-GASKET, THERMOSTAT COVER.....(2)
- 8-GASKET, OIL PAN.....(1)
- 9-GASKET, OIL PAN.....(1)
- 10-GASKET, T.B. COVER LWR.....(1)
- 11-GASKET(L).....(1)
- 12-GASKET(INN), TIMING BELT(L).....(1)
- 13-GASKET(C), TIMING BELT(L).....(1)
- 14-GASKET, T. BELT COVER-C.....(1)
- 15-RUBBER, SEAL-SEAL PLATE.....(1)
- 16-SEAL, OIL.....(1)
- 17-SEAL, OIL.....(2)
- 18-SEAL, OIL-CDRANKSHAFT.....(1)
- 19-GASKET, OIL PUMP.....(1)
- 20-GASKET, WATER PUMP.....(1)
- 21-GASKET, W.PUMP INLET.....(1)
- 22-RING, O-WATER BY-PASS.....(1)



23-800

- 1-SEAL, VALVE.....(16)
- 2-GASKET, HEAD COVER.....(1)
- 3-GASKET, CYLINDER HEAD.....(1)
- 4-GASKET, IN. MANIFOLD.....(1)
- 5-GASKET, EX. MANIFOLD.....(1)
- 6-GASKET, EX. MANIFOLD.....(1)
- 7-GASKET, THERMOSTAT COVER.....(2)

10-235S

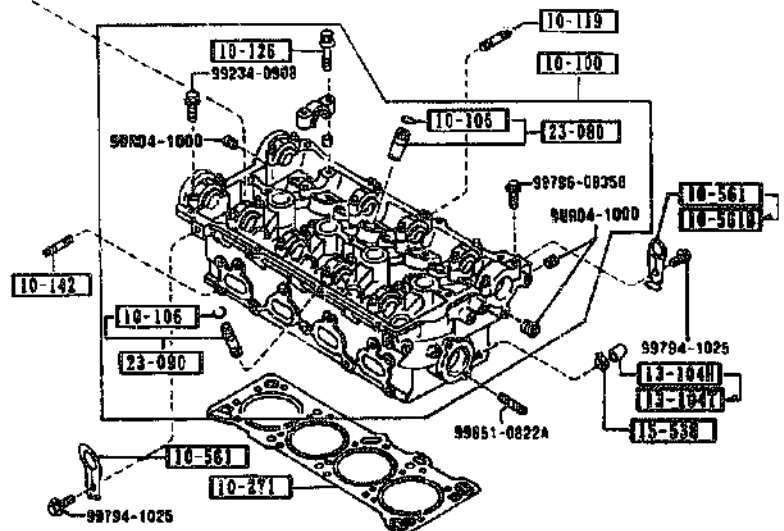
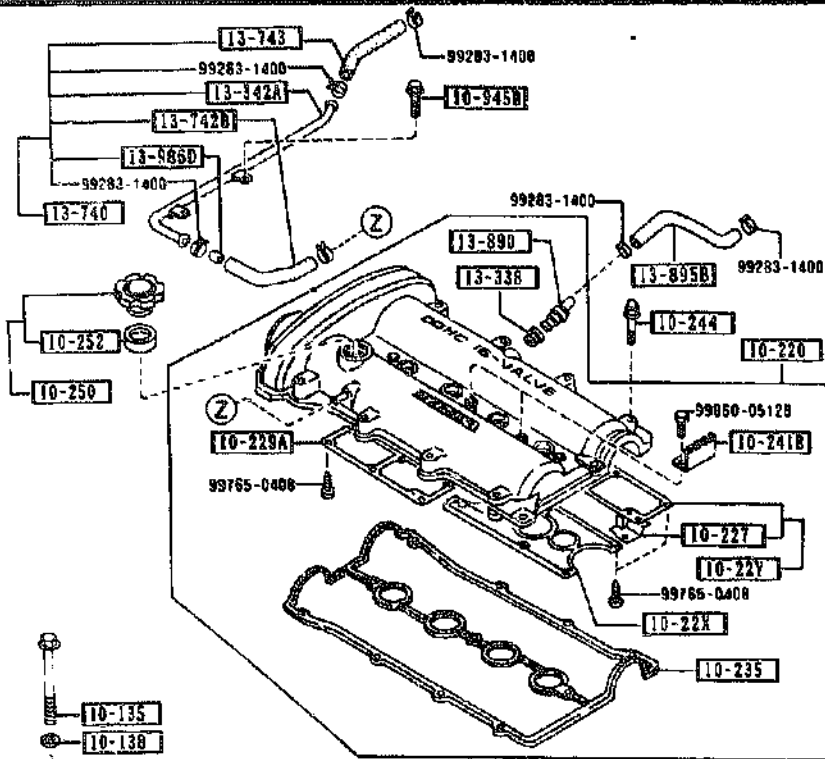


1000 -1 SHORT ENGINE & GASKET SETS

PART NO.	QTY	MODEL/RESTRICTION	MODEL/RESTRICTION	MODEL/RESTRICTION	FROM-TO
10-235S		GASKET SET, CYL. HEAD			
8AM1-10-235	1				
10-271S		GASKET SET, ENGINE			
8AM1-10-271	1				
23-800		ENGINE, SHORT			
864E-02-200	1				-9A04
A (864E-02-200A)					
864J-02-200	1				-0222
A (864J-02-200A)					
864E-02-200A	1				9A04-0222
A (864E-02-200B)					
864E-02-200B	1 (MT)				0222-
864J-02-200A	1 (AT)				0222-

9A04 NA35MM-123222
0222 NA35MM-140861

1010 CYLINDER HEAD & COVER

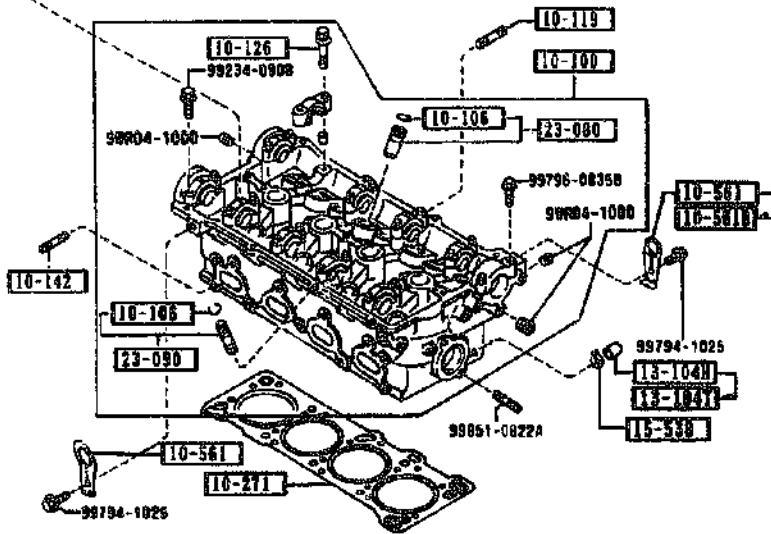
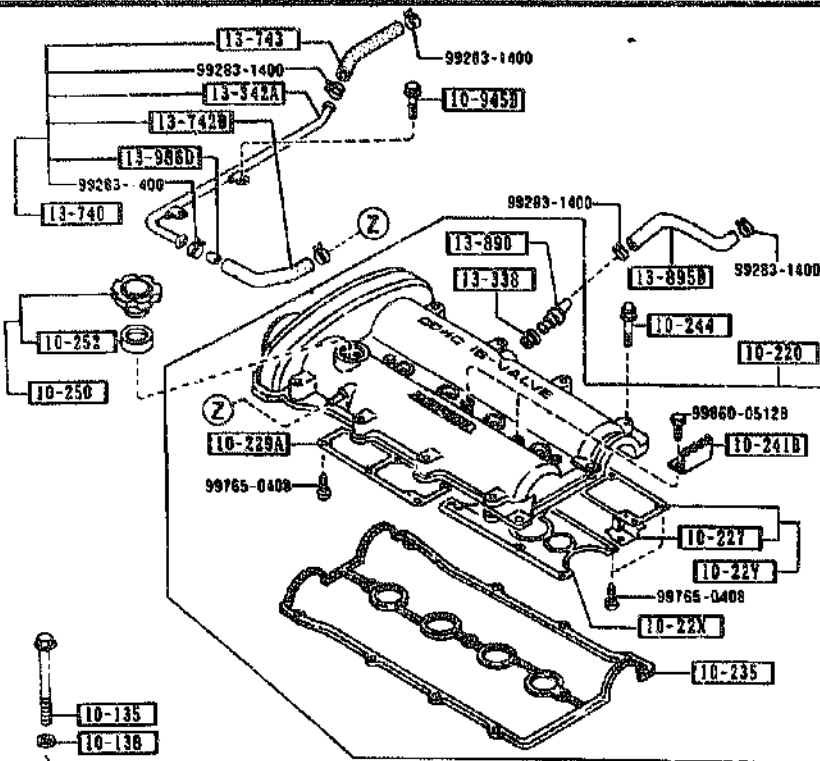


PART NO.	QTY	MODEL/RESTRICTION	MODEL/RESTRICTION	MODEL/RESTRICTION	FROM-TO
10-100	1	HEAD, CYLINDER			-9901
B61P-10-100A AN(B61P-10-100B)	1				9901-
B61P-10-100B	1				
10-106	16	CLIP, VALVE GUIDE			
B660-10-106					
10-119	3	STUD			
FE4J-13-146					
10-126	20	BOLT, CAMSHAFT CAP			
B660-10-126					
10-135	10	BOLT, CYLINDER HEAD			
B660-10-135A					
10-138	10	WASHER, PLAIN CYL. HEAD			
B630-10-138A					
10-142	9	STUD, EX. MANIFOLD			
B660-10-104A					
10-22X	1	PLATE, OIL BAFFLE-IN. SIDE			
B61P-10-22X					
10-22Y	1	PLATE, OIL BAFFLE-EX.			
B6S7-10-22Y					
10-220	1	COVER, CYLINDER HEAD			-9904
B61P-10-210B A (B61P-10-210C)	1				9904-
B61P-10-210C	1				
10-227	1	PLATE, BAFFLE			
B61P-10-227					
10-229A	2	PLATE, OIL BAFFLE			
B6S7-10-225					
10-235		GASKET, HEAD COVER			

9901 NASSNM-119257
9904 NASSNM-119498

1010 CYLINDER HEAD & COVER

1010 -2 CYLINDER HEAD & COVER

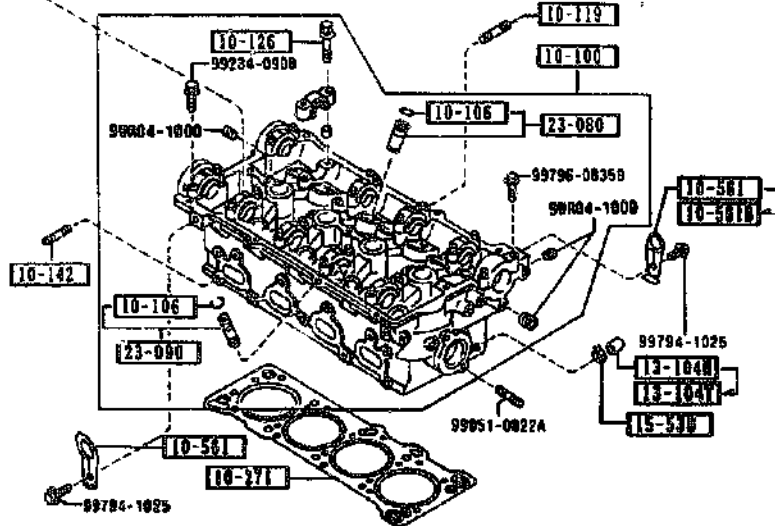
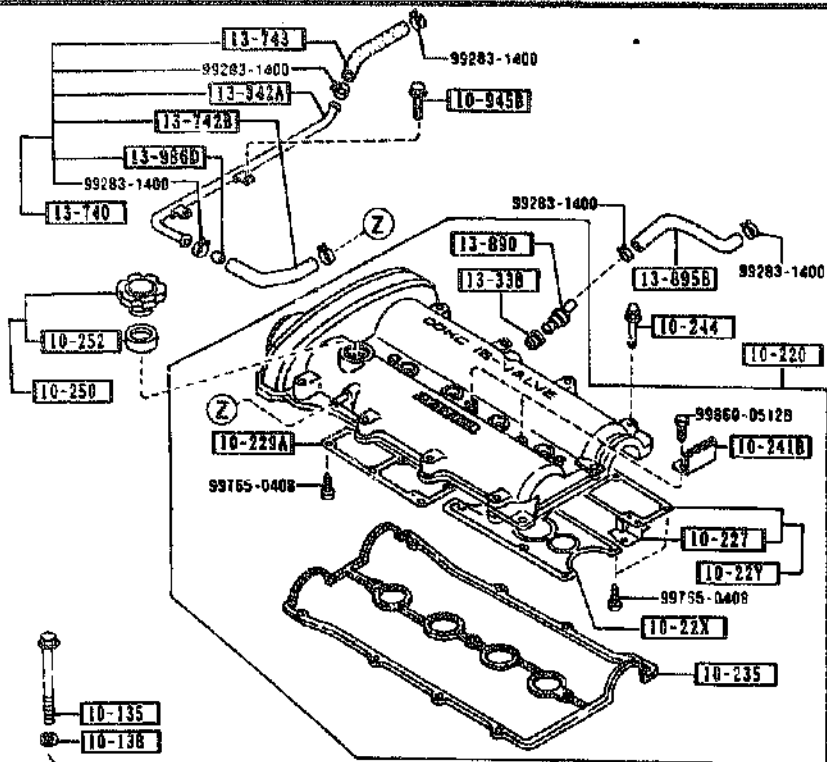


PART NO.	QTY	MODEL/RESTRICTION	MODEL/RESTRICTION	MODEL/RESTRICTION	FRDM-10
CONT'D					
861P-10-239	1	NON ASBESTOS			
10-241B		PROTECTOR, HT. CORD-S. TANK			
8660-10-241	2				
10-244		BOLT, CYLINDER HEAD COVER			
8660-10-244	11				
10-250		CAP, OIL FILLER			
0453-10-250A	1				
10-252		GASKET			
0324-10-252	1				
10-271		GASKET, CYLINDER HEAD			
86F4-10-271A	1	NON ASBESTOS			
10-561		HANGER, ENGINE			
8660-10-561	2				-9801
8660-10-561	1				9801-
10-561B		HANGER, ENGINE-REAR			
861P-10-565	1				9801-
10-945B		BOLT			
861P-13-366	2				
13-104H		CAP, BLIND			
6667-13-104	1				-9801
13-104T		CAP, SEALING			
FEA7-13-104	1				9801-
13-330		SEAL, RUBBER			
E301-13-330A	1				
13-342A		PIPE, VENTILATION			
861P-13-74XA	1				

9801 NA35MH-116316
9801 NA35MR-126490

1010 -3 M CYLINDER HEAD & COVER

1010 CYLINDER HEAD & COVER

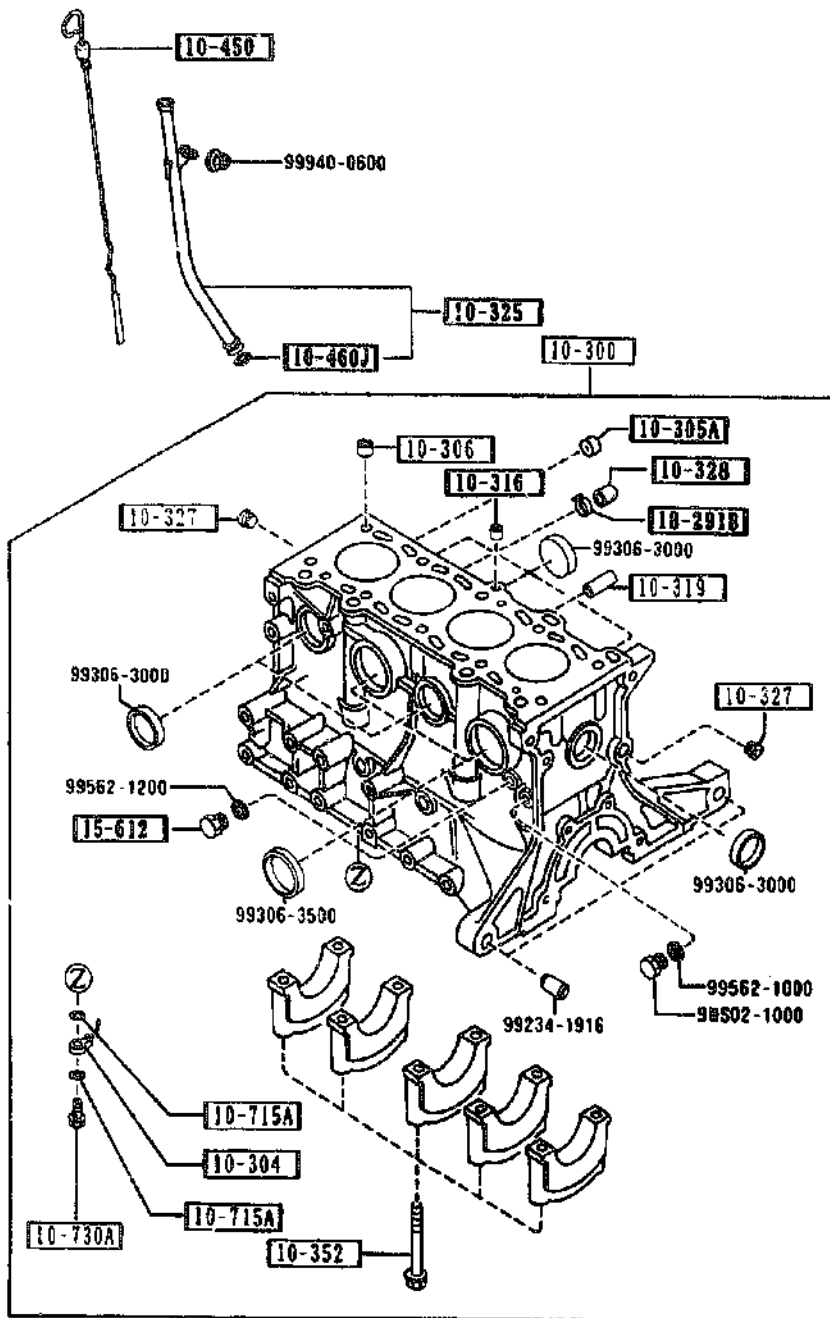


PART NO.	QTY	MODEL/RESTRICTION	MODEL/RESTRICTION	MODEL/RESTRICTION	FROM-TO
13-740		HOSE, VENT.-PURGE CON T. V.			
B61P-13-740A	1				
13-742B		HOSE, VENTILATION			
B61P-13-742A	2				
13-743		HOSE, VENTILATION			
661P-13-743A	1				
13-890		VALVE, P. C. V.			
BP05-13-890	1				
13-895B		HOSE, P. C. V.			
B61P-13-741	1				
13-986D		ORIFICE			
B61P-13-986	1				
15-538		CLAMP, WATER HOSE			
JF02-15-538	1				
23-080		GUIDE, VALVE			
B6Z0-10-280	8				
23-090		GUIDE, VALVE			
B6Z0-10-290	8				

AUNAD1

CAT. AUNAD1-07

1992-02

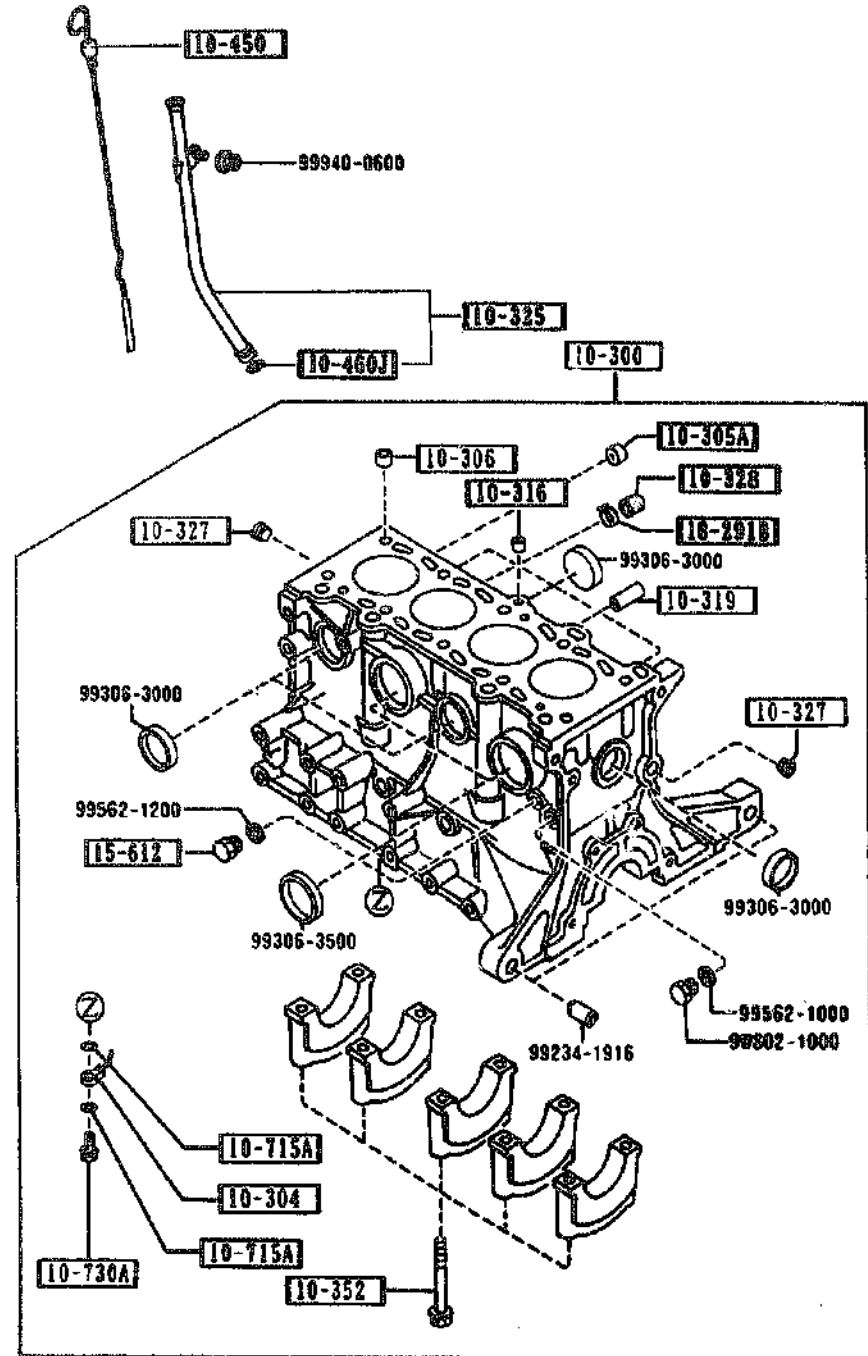


PART NO.	QTY	MODEL/RESTRICTION	MODEL/RESTRICTION	MODEL/RESTRICTION	FROM-TO
10-300		BLDCK,CYLINDER			
B6A7-10-300G	1				-9330
B64J-10-300	1				9330-
10-304		JET,OIL			
B66D-10-580A	4				
10-305A		PLUG			
B366-10-305	1				9330-
10-306		PIN,TUBULAR			
B670-10-306	2				
10-316		PLUG,OIL CONTROL			
B630-10-305	1				-9330
10-319		JOINT			
B630-10-319	1				
10-325		PIPE,OIL LEVEL GAUGE			
B61P-10-440	1				
10-327		PLUG,BLIND			
0221-10-327	2				
10-328		COVER,BLIND-CYL. BLO CK			
B660-10-328	1				
10-352		BOLT,BEARING CAP			
B630-10-352	10				
10-450		GAUGE,OIL LEVEL			
B61P-10-450B A (B61P-10-450C)	1				-9825
B61P-10-450C	1				9825-
10-460J		RING,O			
99541-00907	1				
10-715A		GASKET,OIL JET			
SE01-10-715	8				

9330 NA35MH-100872
9825 NA35MH-118378

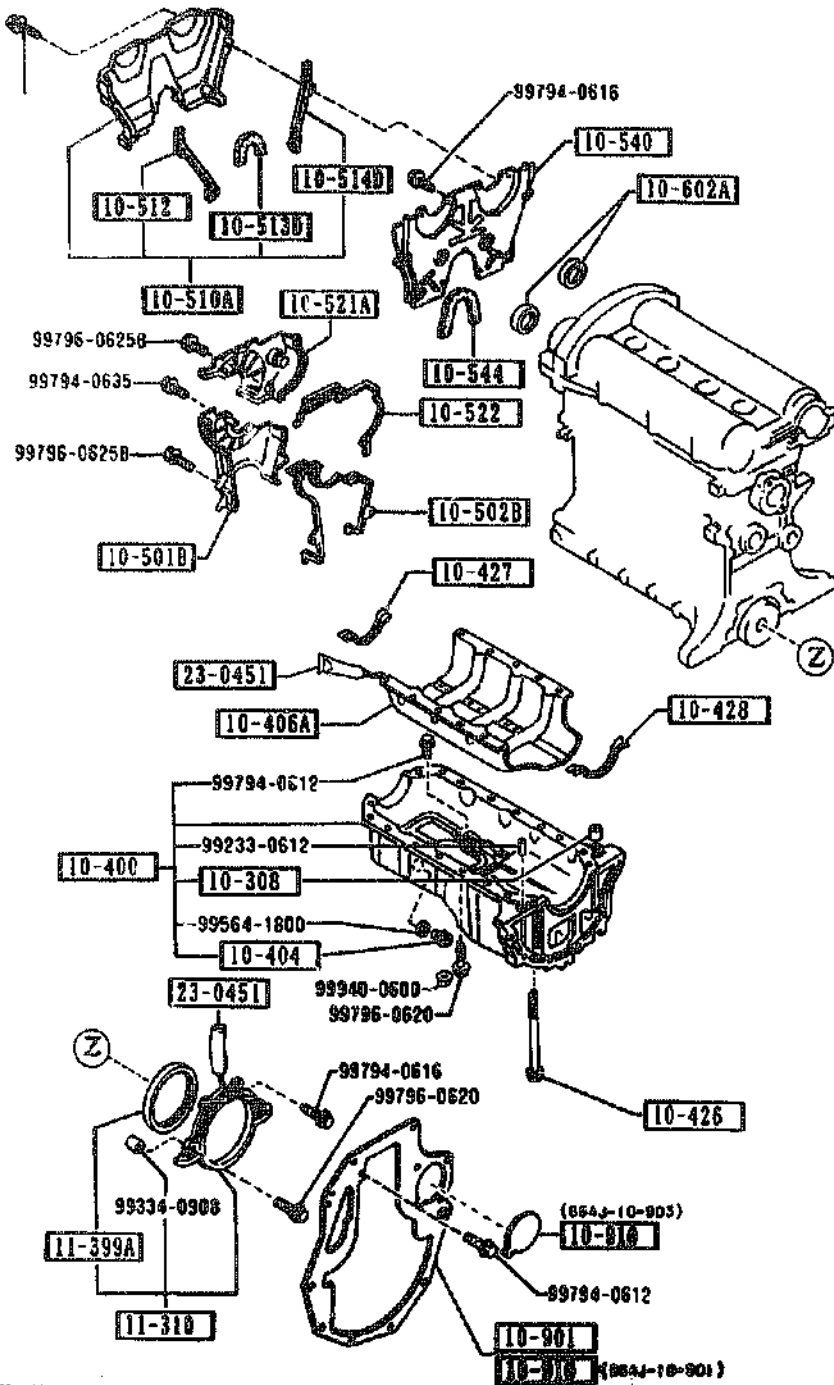
1030 CYLINDER BLOCK

1030 -2 = CYLINDER BLOCK



PART NO.	QTY	MODEL/RESTRICTION	MODEL/RESTRICTION	MODEL/RESTRICTION	FROM-TO
10-730A		VALVE, OIL JET			
SE02-10-730	6				
15-612		PLUG			
SE01-19-612	1				
18-291B		CLAMP, HOSE			
R230-15-538	1				

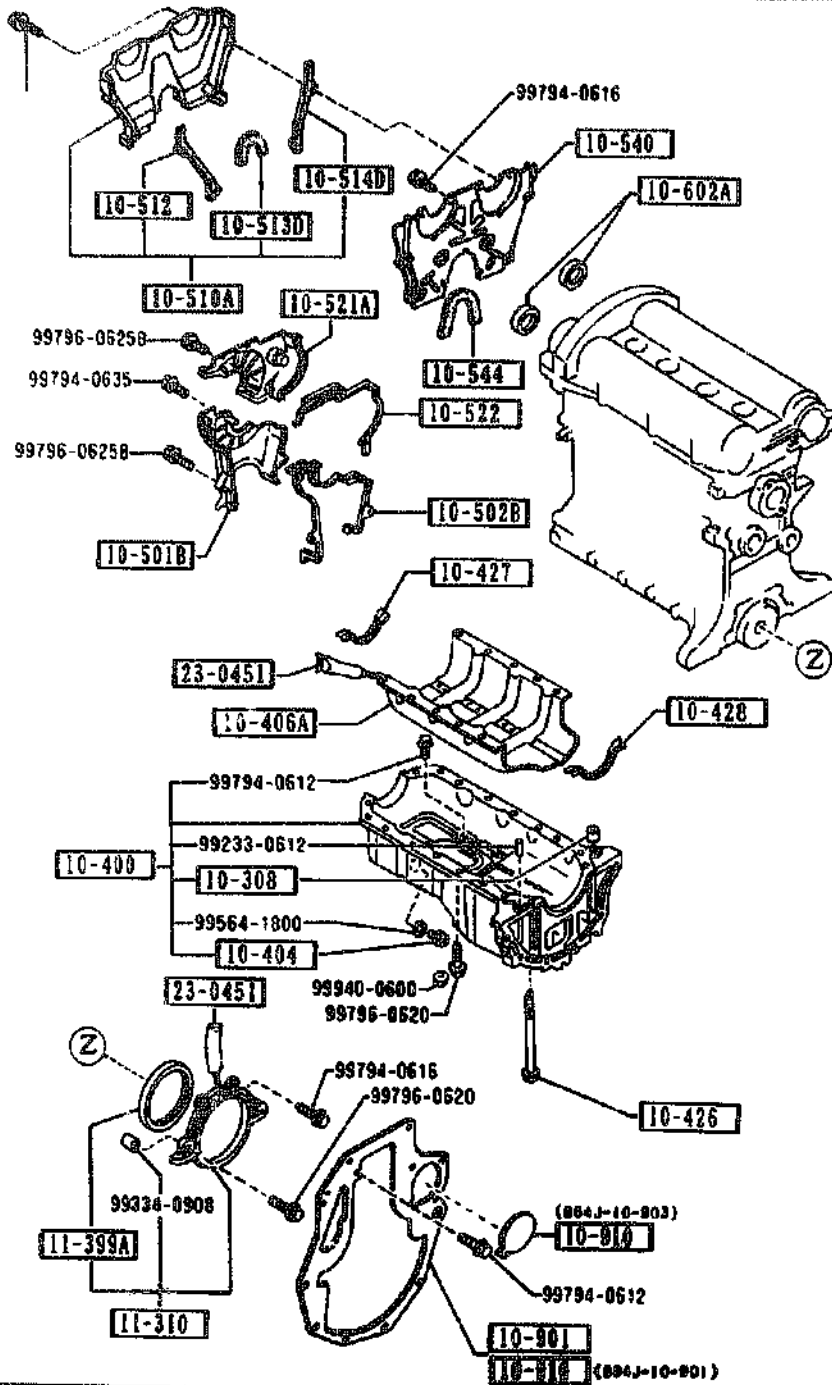
1040 OIL PAN & TIMING COVER



PART NO.	QTY	MODEL/RESTRICTION	MODEL/RESTRICTION	MODEL/RESTRICTION	FRDM-TO
10-308		PIN, TUBULAR			
B6F4-10-308	1				
10-400		PAN, OIL			
B6Y0-10-400B	1				-0201
A (B6Y0-10-400C)					
B6Y0-10-400C	1				0201-
10-404		PLUG, DRAIN			
B6S7-10-404	1				-0201
(B6S7-10-404A)					
B6S7-10-404A	1				0201-
10-406A		PLATE, OIL BAFFLE-CYL			
B61P-10-40YA	1	BLK			
10-426		BOLT			
B6S7-10-465	2				
10-427		GASKET, OIL PAN			
B6F4-10-427	1				
10-428		GASKET, OIL PAN			
B6F4-10-428	1				
10-501B		COVER, TIMING BELT-LWR			
B660-10-501D	1				
10-502B		GASKET, T.B. COVER LWR			
B660-10-502B	1	NON ASBESTOS			
10-510A		COVER (UP.), TIMING CH			
B61P-10-510	1	AIN			
10-512		GASKET (L)			
B61P-10-512	1	NON ASBESTOS			
10-513D		GASKET (INN), TIMING B			
B61P-10-513	1	ELT (L)			
		NON ASBESTOS			
0201 NA35#-157180					

1040 OIL PAN & TIMING COVER

1040 -2 * OIL PAN & TIMING COVER

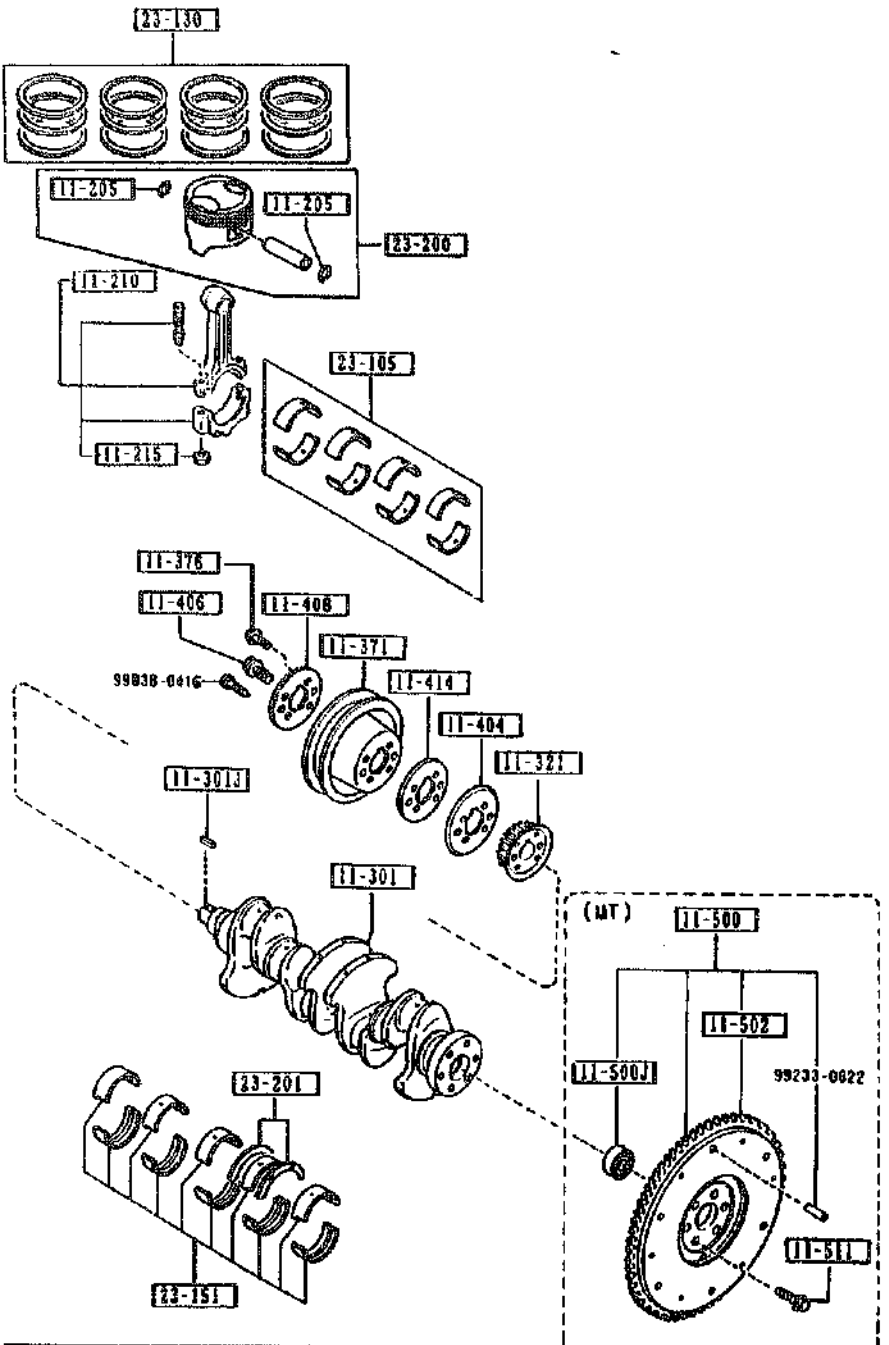


PART NO.	QTY	MODEL/RESTRICTION	MODEL/RESTRICTION	MODEL/RESTRICTION	FROM 10
10-514D B61P-10-514	1	GASKET(C),TIMING BELT(L) NON ASBESTOS			
10-521A B660-10-521A AN(B660-10-521B)	1	COVER,TIMING BELT-C.			-9626
10-522 B660-10-522	1	GASKET,T.BELT COVER-C. NON ASBESTOS			9626-
10-540 B61P-10-540B	1	PLATE,SEAL-T.BELT COVER U			
10-544 B61P-10-544	1	RUBBER,SEAL-SEAL PLATE			
10-602A F801-10-602	2	SEAL,OIL			
10-901 B61P-10-901 A (B61P-10-901A)	1	PLATE,END			-9701
10-910 B66J-10-901 B66J-10-903	1 (MT) 1 (AT) 1 (AT)	COVER,END PLATE			9701-
11-310 B366-11-310 A (B366-11-310B)	1	COVER,REAR			-9701
11-399A B630-11-312	1	SEAL,OIL-CRANKSHAFT			9701-
23-0451 B527-77-739	1	TUBE,SILICON			
9626 NA35MM-111021 9701 NA35MM-111969					

1 J 3

1100 PISTON, CRANKSHAFT & FLYWHEEL

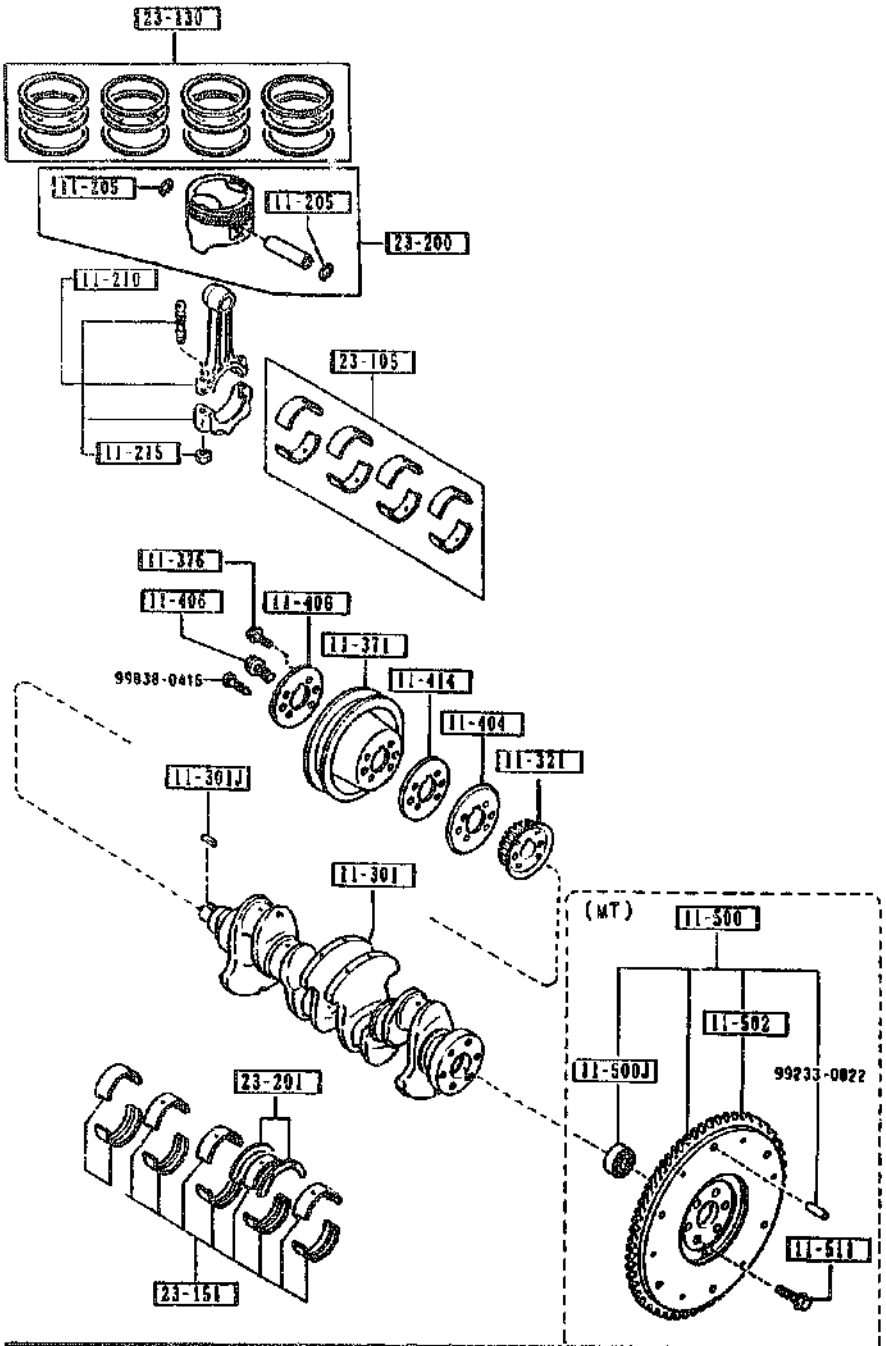
1100 -1 PISTON, CRANKSHAFT & FLYWHEEL



PART NO.	QTY	MODEL/RESTRICTION	MODEL/RESTRICTION	MODEL/RESTRICTION	FROM TO
11-205		CLIP			
0221-11-205	5				
11-210		ROD, CONNECTING			
0657-11-210D	4				
11-215		NUT, CONNECTING ROD			
0657-11-215A	8				
11-301		CRANKSHAFT			
0616-11-300B	1				
11-301J		KEY, WOODRUFF-PULLEY			
0630-11-317 A (0630-11-317A)	1				-0101
0630-11-317A	1				0101-
11-321		PULLEY, TIMING BELT			
0366-11-321A	1				
11-371		PULLEY, CRANKSHAFT			
0657-11-401A	1				
11-376		BOLT, PULLEY			
0631-11-405	4				
11-404		PLATE, TIMING BELT GUIDE			
0541-11-404	1				
11-406		BOLT, LOCK-C.SHAFT PULLEY			
0630-11-406C	1				
11-408		PLATE, CRANKSHAFT PULLEY			
0630-11-408B	1				
11-414		PLATE (OUT), TIMING BELT			
0631-11-414	1				
11-500		WHEEL, FLY			
061P-11-500	1 (MT)				

0101 MASSNH-133591

1100 PISTON, CRANKSHAFT & FLYWHEEL



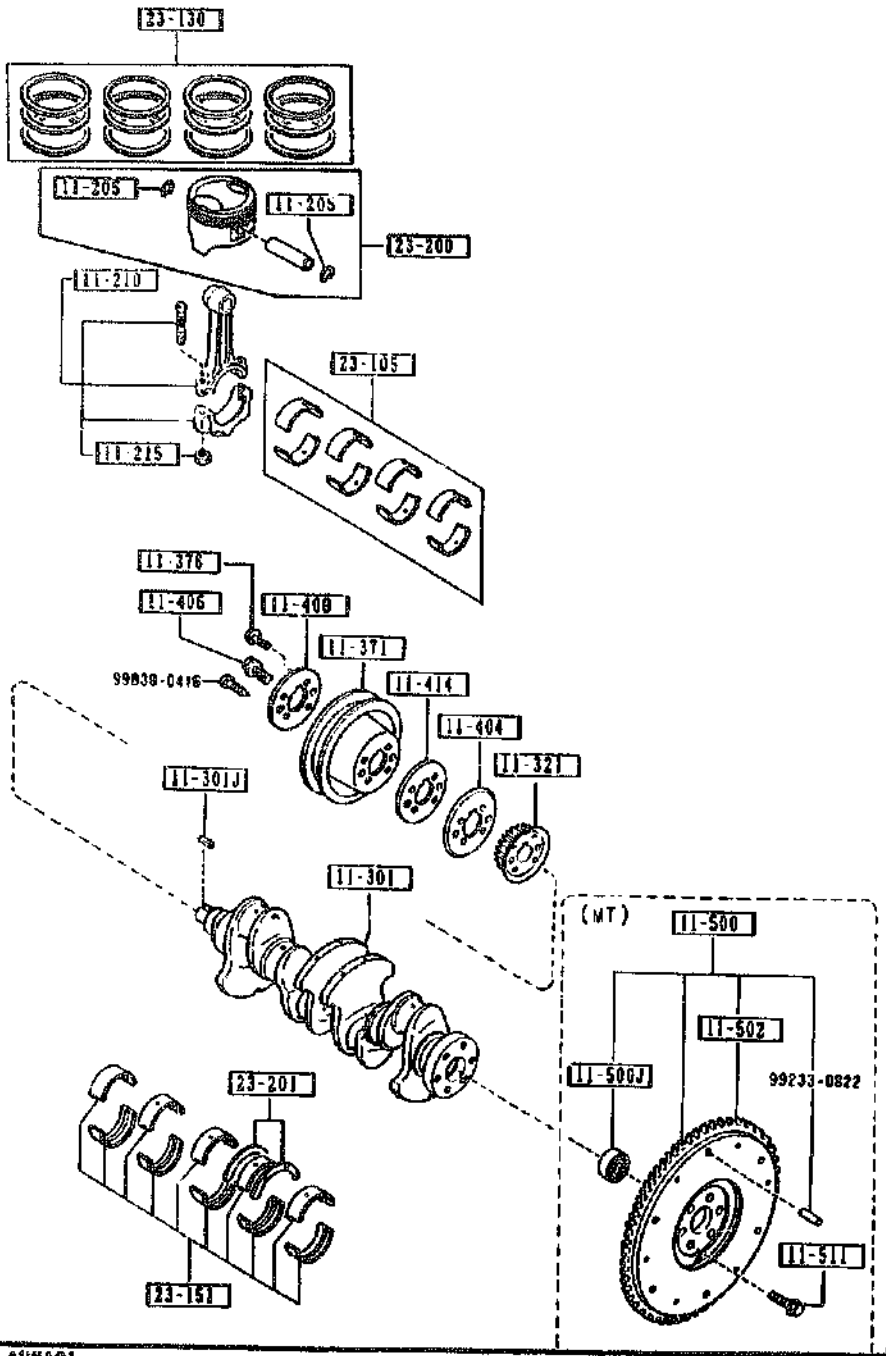
1100 -2 PISTON, CRANKSHAFT & FLYWHEEL

PART NO.	QTY	MODEL/RESTRICTION	MODEL/RESTRICTION	MODEL/RESTRICTION	FRDH-YD
11-500J		BEARING, BALL-FLY WHE			
F801-11-503	1	(MT)			
11-502		GEAR, RING-FLY WHEEL			
0367-11-502	1	(MT)			
11-511		BOLT, LOCK-FLY WHEEL			
F201-11-511	6	(MT)			
23-105		METAL SET, CONN. ROD			
B6Y1-11-SE0	1	STD.			
B6Y1-11-SFX	1	O.S. 0.50			
B6Y1-11-SFY	1	O.S. 0.75			
B6Y1-11-SF0	1	O.S. 0.25			
23-130		RING SET, PISTON			
B6Y3-11-SC0	1	STD. (AT)			
B6Y3-11-SDX	1	O.S. 0.50 (AT)			
B6Y3-11-SD0	1	O.S. 0.25 (AT)			
B6Y4-11-SC0	1	STD.			
A (B6Y4-11-SC0A)	1				-9A06
B6Y4-11-SDX	1	O.S. 0.50			
A (B6Y4-11-SDXA)	1				-9A04
B6Y4-11-SD0	1	O.S. 0.25			
A (B6Y4-11-SD0A)	1				-9A04
B6Y4-11-SC0A	1	STD. (MT)			9A04-
B6Y4-11-SDXA	1	O.S. 0.50 (MT)			9A04-
B6Y4-11-SD0A	1	O.S. 0.25 (MT)			9A04-
23-51		METAL SET, MAIN BRO.			
B6Y2-11-SG0	1	STD.			
B6Y1-11-SHX	1	O.S. 0.50			

9A06 MA35HE-123222

1100 PISTON, CRANKSHAFT & FLYWHEEL

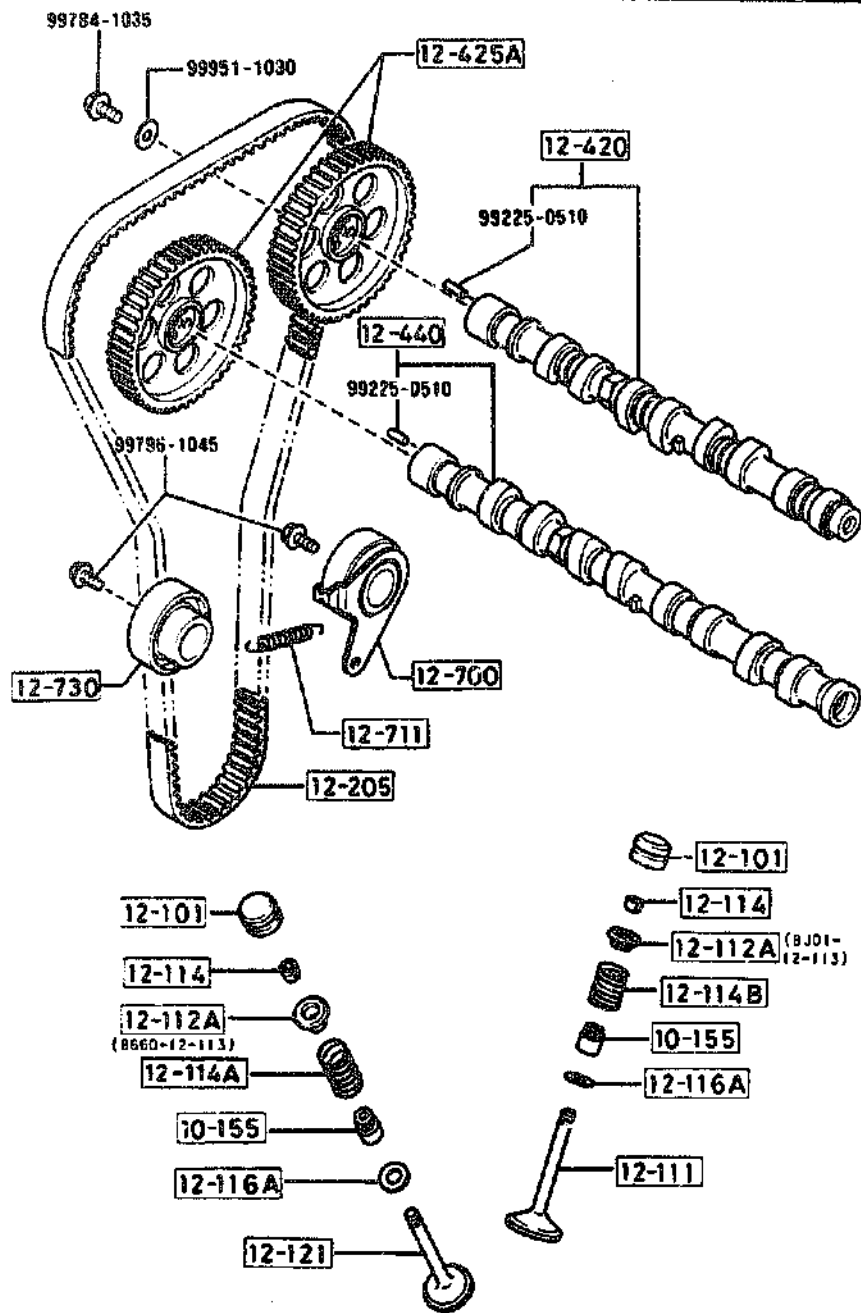
1100 -3 M PISTON, CRANKSHAFT & FLYWHEEL



PART NO.	QTY	MODEL/RESTRICTION	MODEL/RESTRICTION	MODEL/RESTRICTION	FROM-TO
CONT'D					
B6Y1-11-SM0	1	O.S. 0.25			
23-200		PISTON SET			
B6Z5-11-SA0	4	STD. (AT)			
B6Z5-11-SBX	4	O.S. 0.50 (AT)			
B6Z5-11-SB0	4	O.S. 0.20 (AT)			
B6Z2-11-SA0B A (B6Z2-11-SA0C)	4	STD.			-9601
B6Z2-11-SBxB A (B6Z2-11-SBXC)	4	O.S. 0.50			-9601
B6Z2-11-SB0B A (B6Z2-11-SB0C)	4	O.S. 0.25			-9601
B6Z2-11-SA0C	4	STD. (MT)			9601-
B6Z2-11-SBXC	4	O.S. 0.50 (MT)			9601-
B6Z2-11-SB0C	4	O.S. 0.25 (MT)			9601-
23-201		METAL SET, THRUST			
B6Y0-11-SJ0 A (B6Y1-11-SJ0)	1	STD.			-0405
B6Y0-11-SKX A (B6Y1-11-SKX)	1	O.S. 0.50			-0405
B6Y0-11-SKY	1	O.S. 0.75			-0405
B6Y0-11-SK0 A (B6Y1-11-SK0)	1	O.S. 0.25			-0405
B6Y1-11-SJ0	1	STD.			0405-
B6Y1-11-SKX	1	O.S. 0.50			0405-
B6Y1-11-SKY	1	O.S. 0.75			0405-
B6Y1-11-SK0	1	O.S. 0.25			0405-
9601 NA35M-106797 0405 NA35M-147140					

1200 VALVE SYSTEM

1200 -1 VALVE SYSTEM

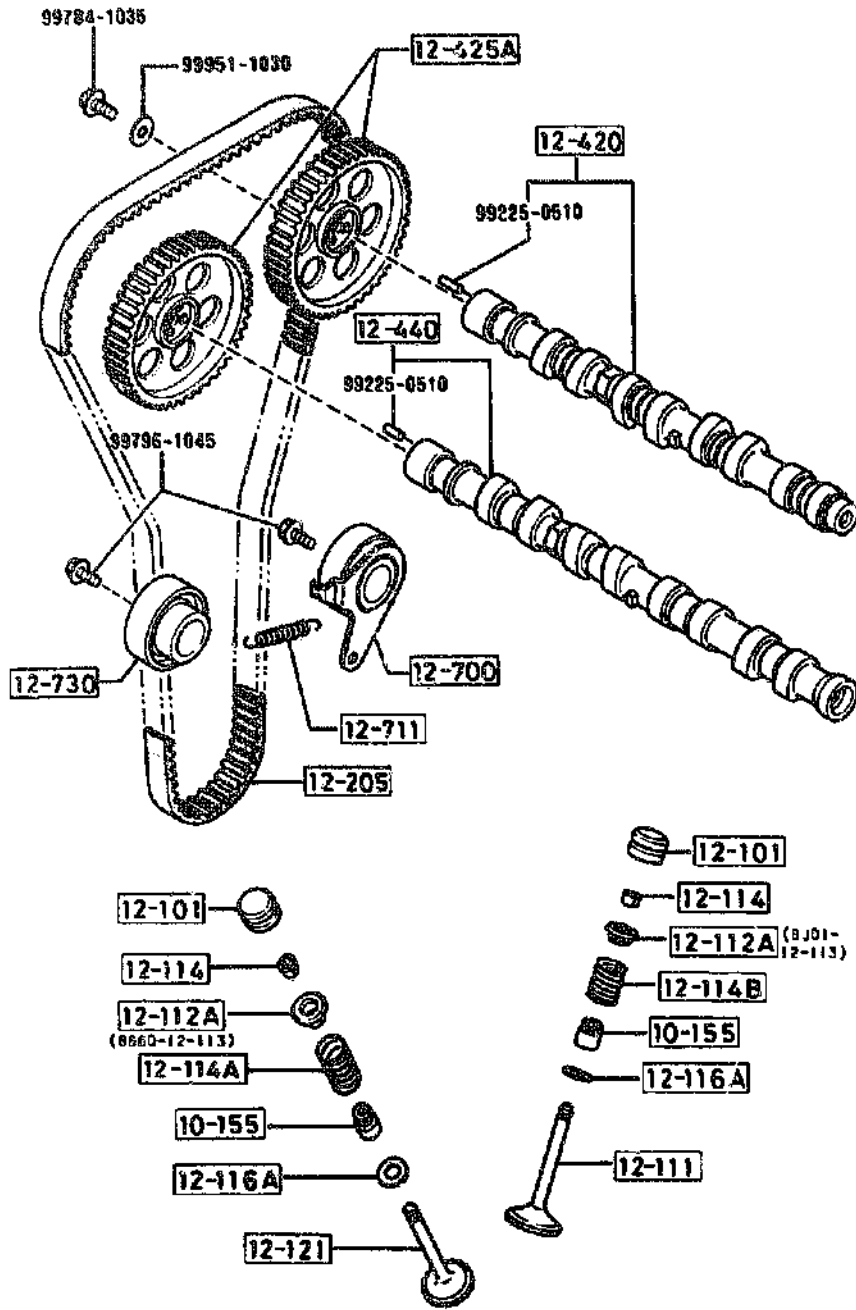


PART NO.	QTY	MODEL/RESTRICTION	MODEL/RESTRICTION	MODEL/RESTRICTION	FROM-TO
10-155		SEAL, VALVE			
0660-10-155	16				
12-101		ADJUSTER, HYDRAULIC & ASH			
0660-12-101	16	NIYYAH VALVE			
12-111		VALVE, INLET			
0657-12-111	8				
12-112A		SEAT, VALVE SPG-UP.			
0601-12-113	8				
0660-12-113	8				
12-114		COTTER, VALVE			
0660-12-114	32				
12-114A		SPRING, OUT.-VALVE			
061P-12-125	8				
12-114B		SPRING, VALVE			
0601-12-125	8				
12-116A		SEAT, VALVE SPG.-LWR			
0660-12-123	16				
12-121		VALVE, EXHAUST			
0660-12-121	8				
12-205		BELT, TIMING			
0657-12-205A	1				
12-420		CAMSHAFT			
064J-12-420	1 (AT)				
0660-12-420C	1 (MT)				
12-425A		PULLEY, CAMSHAFT			
0657-12-425A	2				
12-440		CAMSHAFT, EXHAUST			
06A7-12-440A	1 (AT)				

SECTION NAME INDEX (ENGINE)

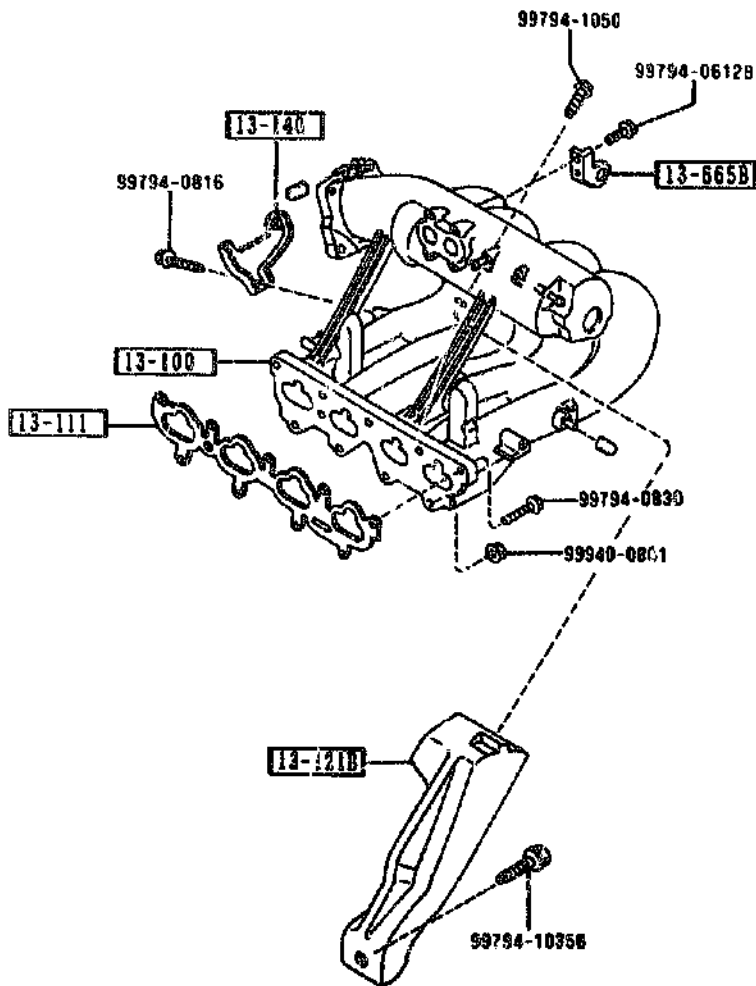
LO.NO	SEC.NO	SECTION NAME	LO.NO	SEC.NO	SECTION NAME	LO.NO	SEC.NO	SECTION NAME
1-C03	1000	SNDRY ENGINE & GASKET SETS						
1-D03	1010	CYLINDER HEAD & COVER						
1-G03	1030	CYLINDER BLOCK						
1-I03	1040	OIL PAN & TIMING COVER						
1-K03	1100	PISTON,CRANKSHAFT & FLYWHEEL						
1-N03	1200	VALVE SYSTEM						
1-D04	1300	INLET MANIFOLD						
1-E04	1310	EXHAUST MANIFOLD						
1-F04	1320	FUEL SYSTEM						
1-H04	1325	FUEL DISTRIBUTOR						
1-I04	1330	AIR CLEANER						
1-K04	1364	THROTTLE BODY						
1-L04	1370	EMISSION CONTROL SYSTEM (INLET SIDE)						
1-M04	1399	CAP & HOSE CLIP (INLET & EXHAUST SIDE)						
1-M04	1400	OIL PUMP & FILTER						
1-C05	1500	COOLING SYSTEM						
1-G05	1580	BRACKET,PULLEY & BELT						
1-C06	1600	CLUTCH DISC & COVER (MANUAL)						
1-D06	1700	TRANSMISSION CASE (MANUAL)						
1-E06	1710	TRANSMISSION GEARS(MANUAL)						
1-J06	1720	CHANGE CONTROL SYSTEM (MANUAL)						
1-M06	1800	ENGINE ELECTRICAL SYSTEM						
1-C07	1830	ALTERNATOR						
1-E07	1840	STARTER						
1-G07	1850	BATTERY						
1-H07	1910	TORQUE CONVERTER,OIL PUMP & PIPINGS (AUTOMATIC)						
1-K07	1920	TRANSMISSION CASE & MAIN CONTROL SYSTEM (AUTOMATIC)						
1-E08	1925	CONTROL VALVE (AUTOMATIC)						
1-I08	1930	CLUTCHES & PLANETARY GEARS (AUTOMATIC)						
1-D09	1940	GOVERNOR, LOW & REVERSE PISTON (AUTOMATIC)						
1-G09	1950	MANUAL LINKAGE SYSTEM (AUTOMATIC)						
1-I09	1960	GASKET & SEAL KIT (AUTOMATIC)						





PART NO.	QTY	MODEL/RESTRICTION	MODEL/RESTRICTION	MODEL/RESTRICTION	FROM TO
CONT'D					
B61P-12-440	1	(MT)			
12-700		TENSIONER, T. BELT			
B660-12-700C	1				
12-711		SPRING, TENSIONER			
B660-12-711C	1				
12-730		IDLER, TIMING BELT			
B660-12-730B	1				

1300 INLET MANIFOLD



PART NO.	QTY	MODEL/RESTRICTION	MODEL/RESTRICTION	MODEL/RESTRICTION	FROM TO
13-100	1	MANIFOLD, INLET			
B61P-13-100B A (B61P-13-100C)	1				-9417
B61P-13-100C AN(B61P-13-100D)	1				9417-0404
B61P-13-2000	1				0404-
13-111	1	GASKET, IN. MANIFOLD NON ASBESTOS			
B61P-13-111	1				
13-121B	1	STRAY, MANIFOLD			
B61P-13-121	1				
13-140	1	BRKT, SURGE TANK			
B61P-13-140	1				
13-665B	1	BRACKET, ACCEL WIRE			
B61P-13-665	1				

9417 MASSNW-100773
0404 MASSNW-146945

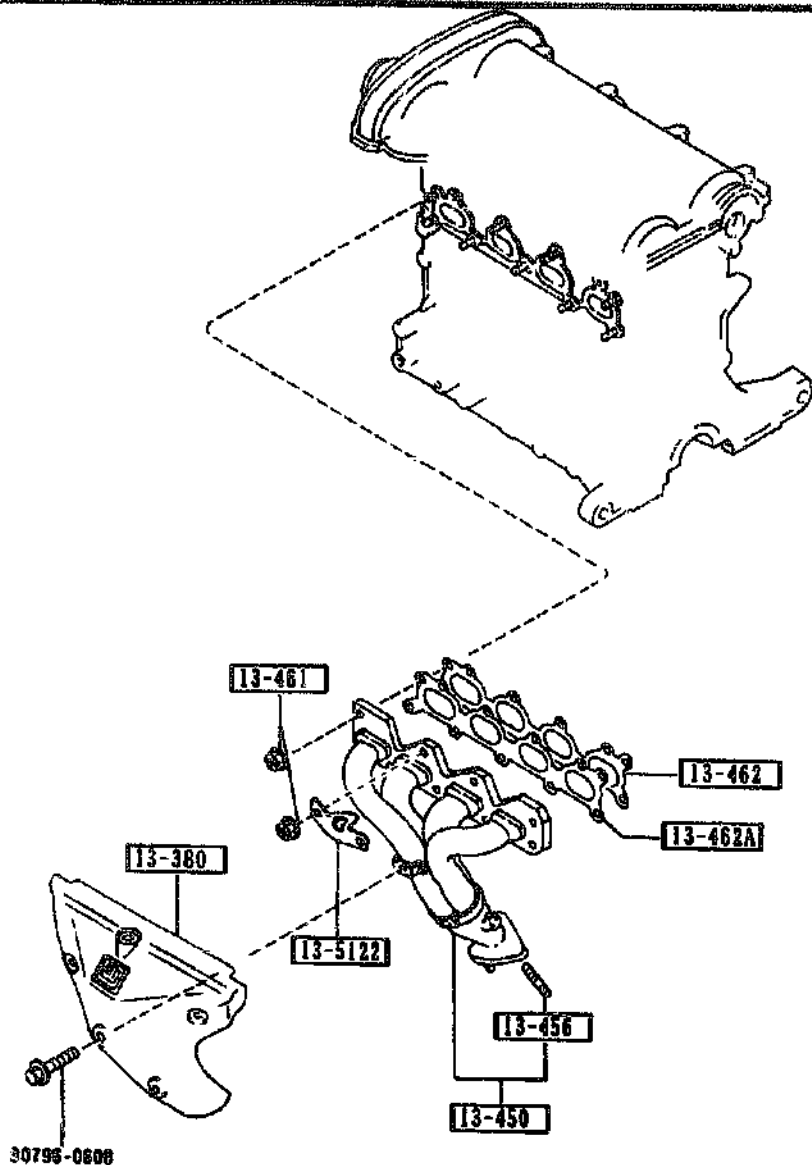
* NOTES : REFER TO SECT. NO. 1300 AS FOR CAPS.

AUMAD1

CAT. AUMAD1-87

1992-02

1 D 4

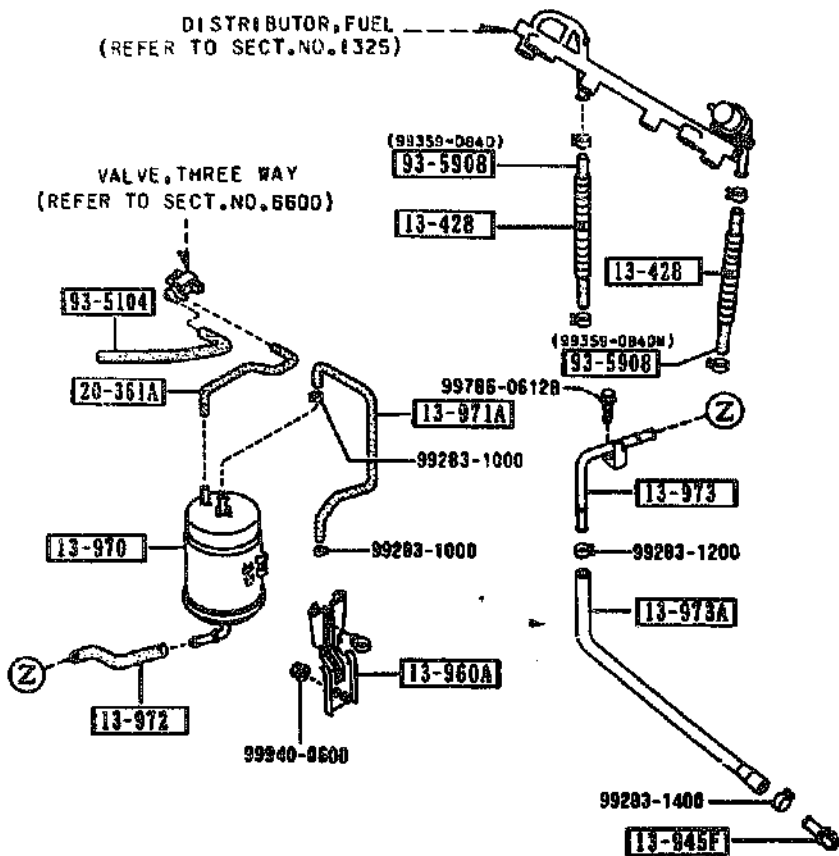
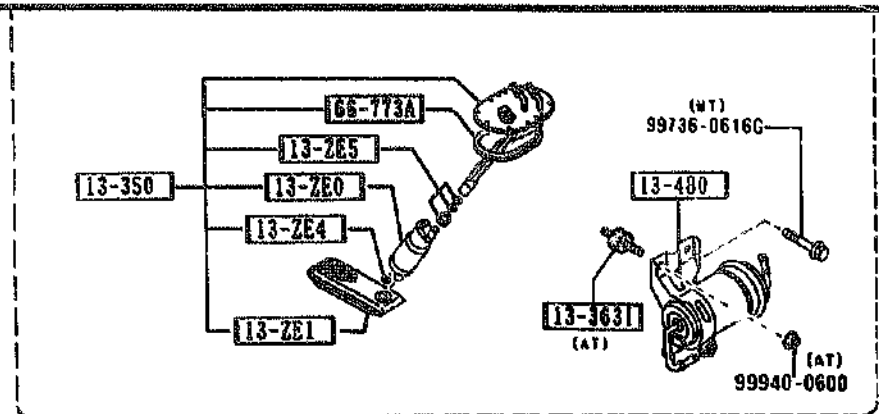


PART NO.	QTY	MODEL/RESTRICTION	MODEL/RESTRICTION	MODEL/RESTRICTION	FROM-TO
13-380		INSULATOR, HEAT			
B61P-13-380A	1				-9C01
B61P-13-380B	1				9C01-
13-450		MANIFOLD, EXHAUST			
B61P-13-450	1				-9716
A (B61P-13-450A)					
B61P-13-450A	1				9714-
13-456		STUD			
2306-13-456	3				
13-461		NUT, EX. MANIFOLD			
B6S7-13-465	9				
13-462		GASKET, EX. MANIFOLD			
B695-13-460	1	NON ASBESTOS			-9801
A (B695-13-460A)					
B695-13-460A	1	NON ASBESTOS			9801-
13-462A		GASKET, EX. MANIFOLD			
B695-13-462	1				
13-5122		BRACKET, EX. MANIFOLD			
B61P-13-466	1				9C01-

9714 NA35MM-113630
 9801 NA35MM-116316
 9C01 NA35MM-130310

1320 FUEL SYSTEM

1320 -1 FUEL SYSTEM



PART NO.	QTY	MODEL/RESTRICTION	MODEL/RESTRICTION	MODEL/RESTRICTION	FROM-TO
13-2E0		PUMP, FUEL			
B61P-13-2E0	1				
13-2E1		FILTER, FUEL PUMP			
B61P-13-2E1	1				
13-2E4		WASHER, LOCK-PUMP FILTER DENSO			
FEH2-13-2E4	1				
13-2E5		RING, 'O'-FUEL PUMP			
BJ04-13-2E5	1				-9511
B61P-13-2E5	1				9511-
13-350		PUMP, FUEL			
B61P-13-350	1				
13-3631		RUBBER, INSULATION			
NS26-13-363B	2 (AT)				
13-428		PROTECTOR			
B61P-13-428	2				
13-480		FILTER, FUEL			
B61P-20-490	1				
13-945F		CONNECTOR			
JE16-13-298	1				
13-960A		BRACKET, CANISTER			
B61P-13-960	1				
13-970		CANISTER			
B61P-13-970	1				
13-971A		HOSE, VACUUM			
B61P-13-971	1				
13-972		HOSE, EVAPORATION			
B61P-13-972A	1				

9511 NA35WH-103176

* NOTES : REFER TO SECT. NO. 1399 AS FOR HOSE CLIPS.

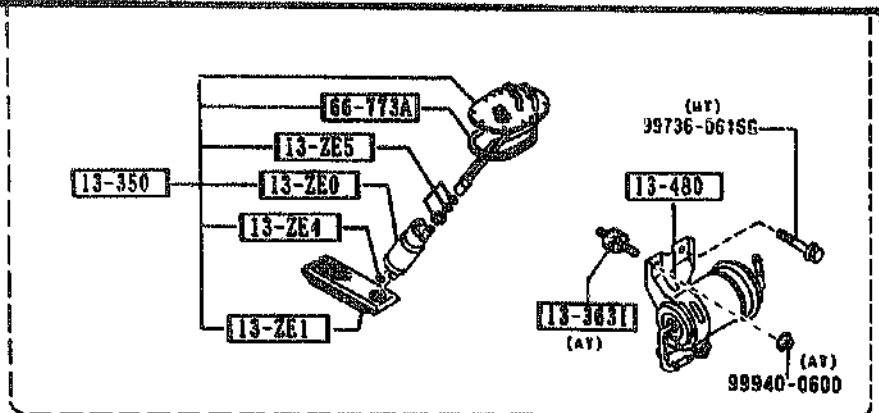
AUNA01

CAT. AUNA01-07

1992-02

1320 FUEL SYSTEM

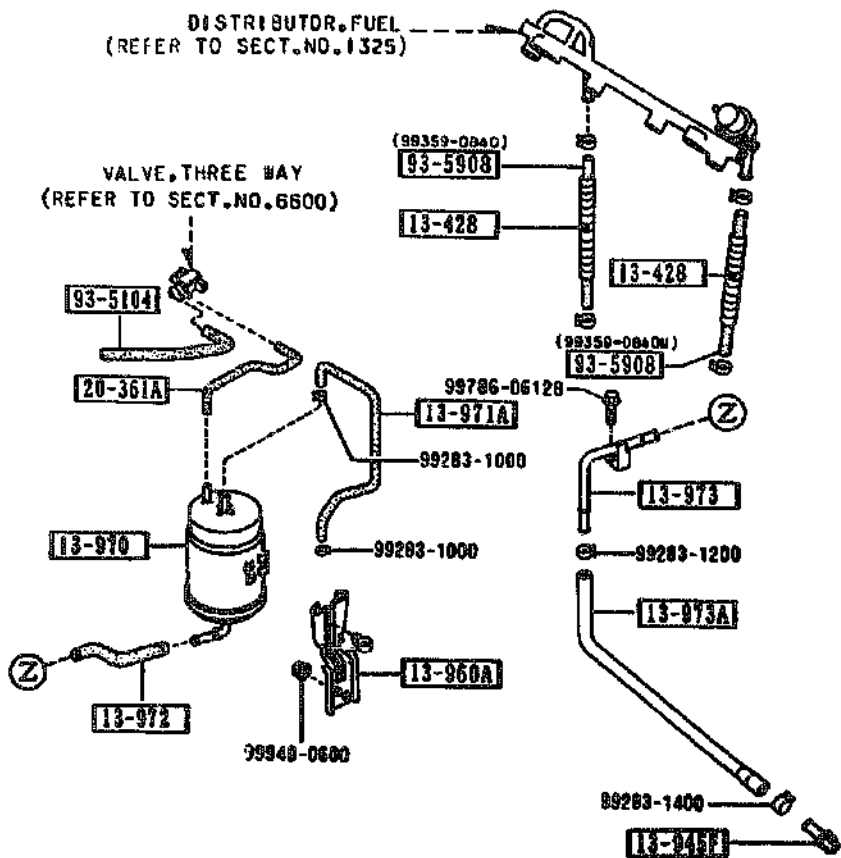
1320 -2 H FUEL SYSTEM



PART NO.	QTY	MODEL/RESTRICTION	MODEL/RESTRICTION	MODEL/RESTRICTION	FROM-TO
13-973		HOSE, DRAIN			
861P-13-97YA	1				
13-973A		HOSE, EVAPORATION			
861P-13-97SA	1				
20-361A		TUBE, VACUUM			
861P-20-361	1				
66-773A		GASKET			
NA01-60-962	1				
93-5104		HOSE			
99351-04999	1				
93-5908		HOSE			
99359-0840	1				
99359-0840M	1				

DISTRIBUTOR, FUEL
(REFER TO SECT. NO. 1325)

VALVE, THREE WAY
(REFER TO SECT. NO. 6600)

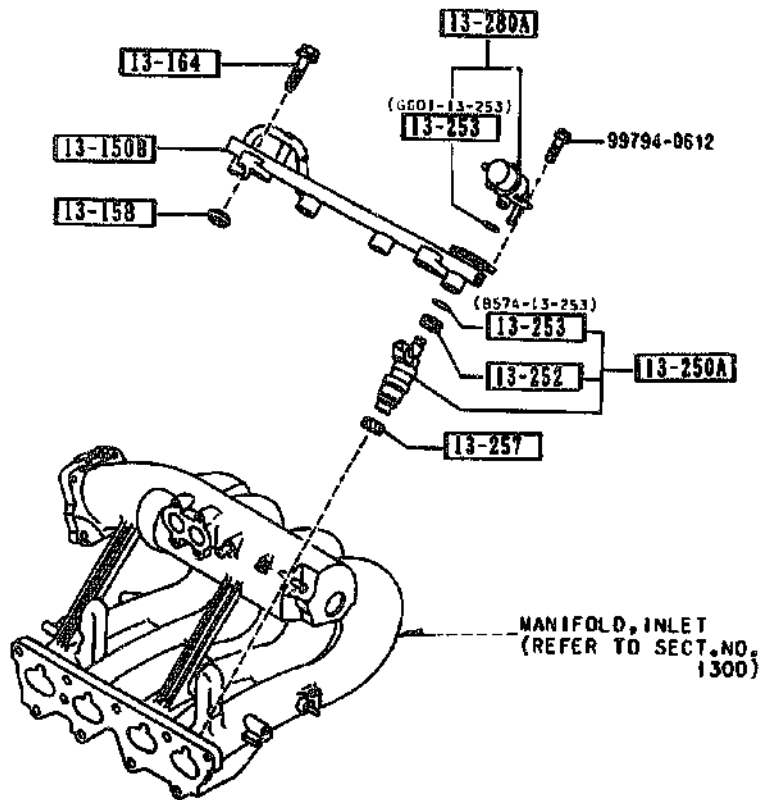


* NOTES : REFER TO SECT. NO. 1309 AS FOR HOSE CLIPS.

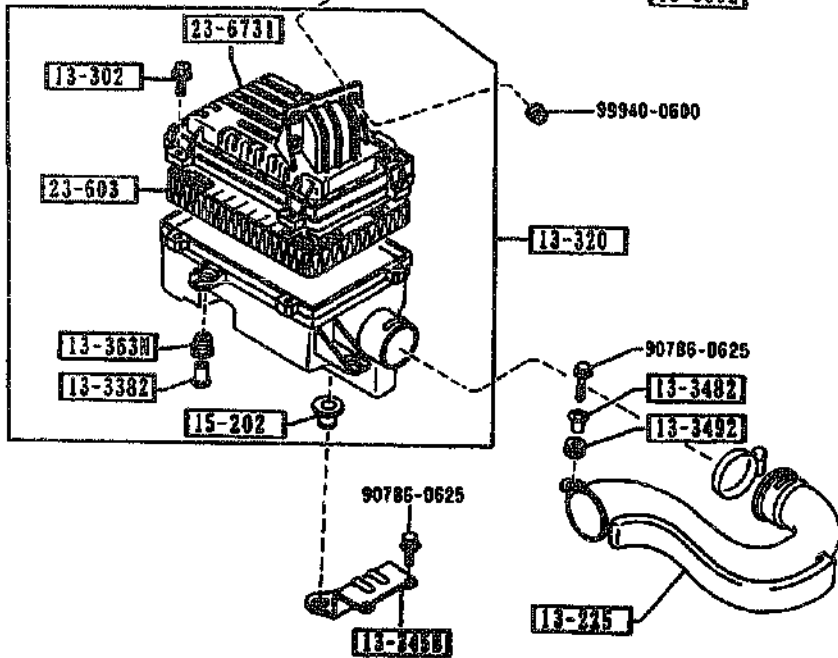
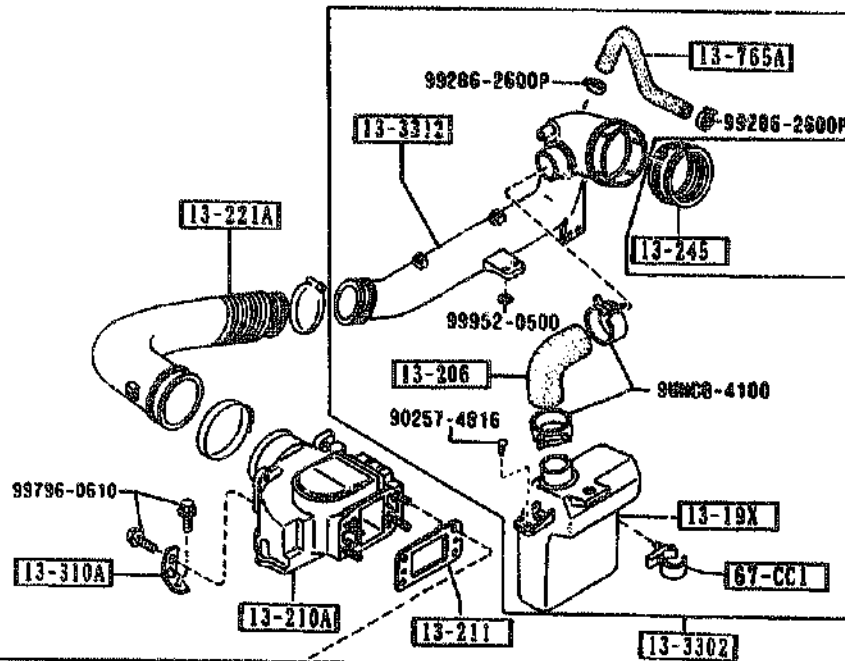
AUNAD1

CAT. AMPA01-07

1992-92



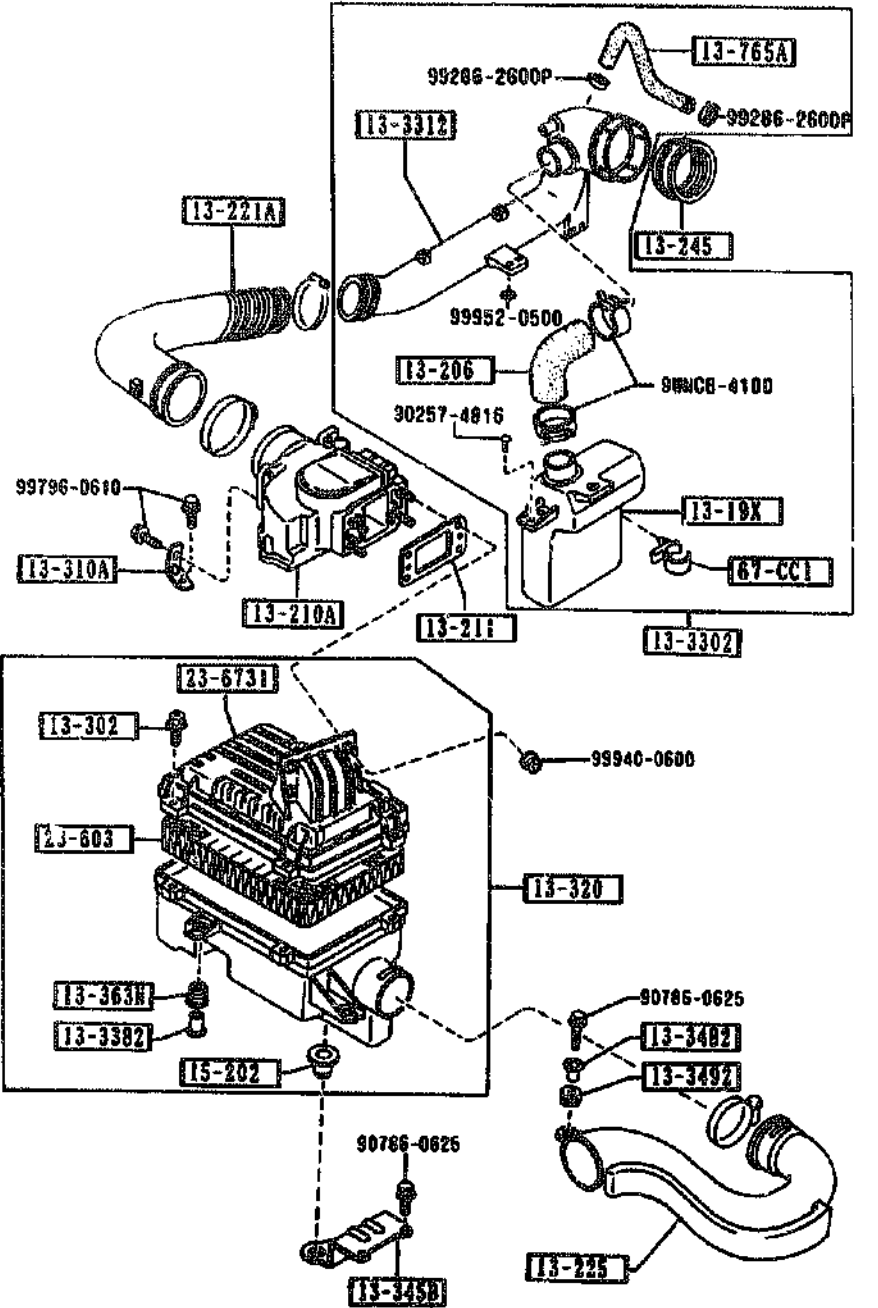
PART NO.	QTY	MODEL/RESTRICTION	MODEL/RESTRICTION	MODEL/RESTRICTION	FROM TO
13-150B B61P-13-150	1	DISTRIBUTOR, FUEL			
13-158 B675-13-158	2	INSULATOR, FUEL DIST.			
13-164 F883-13-164	2	BOLT, FUEL DISTRIBUTOR			
13-250A B6S7-13-250	6	INJECTOR, FUEL			
13-252 8574-13-252	4	GROMMET			
13-255 G601-13-253 8574-13-253	1 4	RING, 'O'			
13-257 JE06-13-257	6	INSULATOR, INJECTION			
13-280A B61P-13-280	1	PRESSURE REG., FUEL			



* NOTES : REFER TO SECT. NO. 1399 AS FOR HOSE CLIPS.
AUN807

PART NO.	QTY	MODEL/RESTRICTION	MODEL/RESTRICTION	MODEL/RESTRICTION	FROM-TO
13-19X		CHAMBER, RESONANCE			
B61P-13-19XA	1	(MT)			
B64J-13-19X	1	(AT)			
13-206		HOSE, AIR			
B61P-13-206A	1				
13-210A		METER, AIR FLOW			
B6S7-13-210A	1				
13-211		GASKET			
B6S7-13-211A	1	NON ASBESTOS			
13-221A		HOSE, AIR			
B61P-13-221B	1				
13-225		DUCT, FRESH AIR			
B61P-13-200A	1				-9926
A (B61P-13-200B)					
B61P-13-200B	1				9926-
13-245		JOINT, RUBBER			
B61P-13-245	1				
13-302		BOLT, AIR CLEANER			
F201-13-302A	5				
13-310A		BRKT, AIR FLOW METER			
B61P-13-311B	1				
13-320		CLEANER, AIR			
B61P-13-320	1				-9825
A (B61P-13-320A)					
B61P-13-320A	1				9825-
13-3302		TUBE, AIR INTAKE			
B61P-13-330E	1	(MT)			
B64J-13-330	1	(AT)			
13-3312		PIPE, AIR INTAKE			

9825 NA35MH-118378
9926 NA35MH-122894

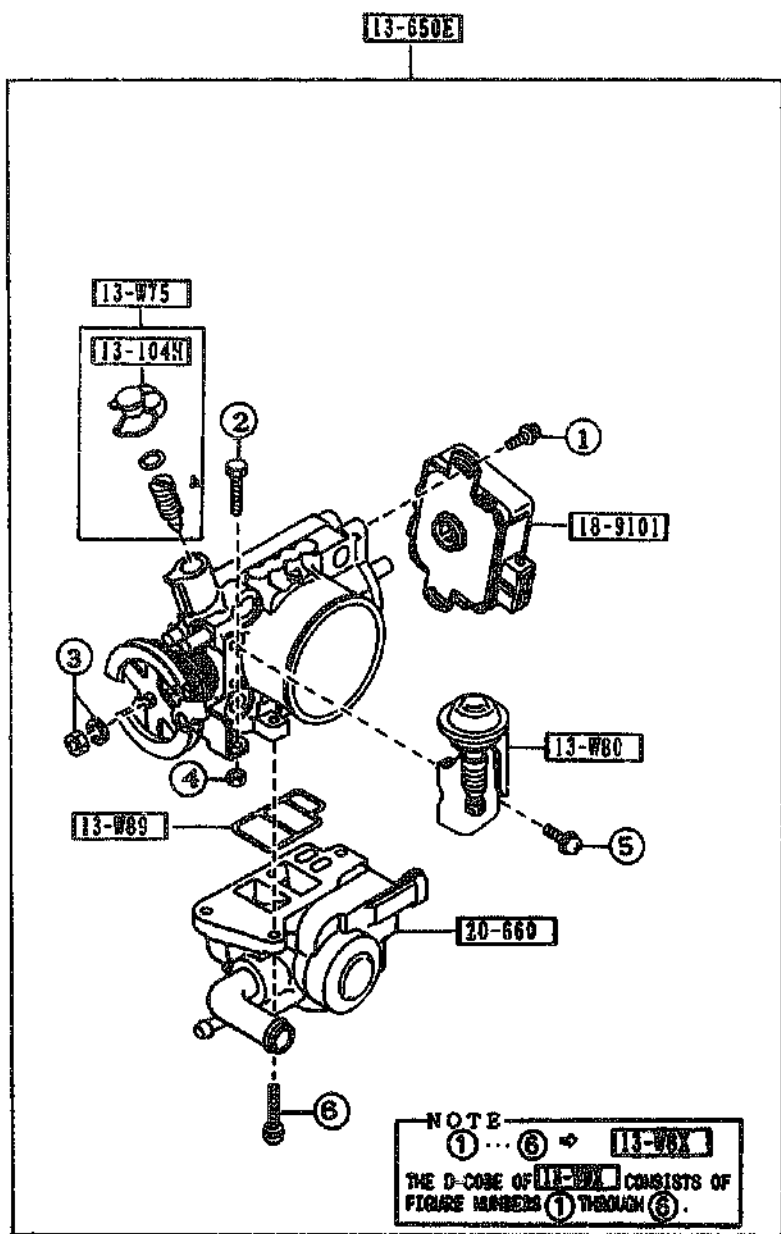


PART NO.	QTY	MODEL/RESTRICTION	MODEL/RESTRICTION	MODEL/RESTRICTION	FROM TO
CONT'D					
B61P-15-331B	1				
13-3382		SPACER			
FE51-13-329	3				
13-345B		BRACKET, AIR CLEANER			
B61P-20-211	1				
13-3482		SPACER, AIR INT. PIPE			
V115-15-348	1				
SLA1-13-321	1				-0201
13-3492		INSULATOR			0201-
S501-13-349	1				
13-363N		RUBBER, MOUNTING			
FE51-13-363	3				
13-765A		HOSE, AIR			
B61R-15-765	1				
15-202		RUBBER, MOUNT			
E501-15-202	1	DENSO			
23-603		ELEMENT, AIR CLEANER			
B6S7-13-240	1				
23-6731		COVER, AIR CLEANER			
B61P-13-201	1				
67-CC1		CLIP, HARNESS			
NA02-67-CH1	1				

0201 NA35HN-137180

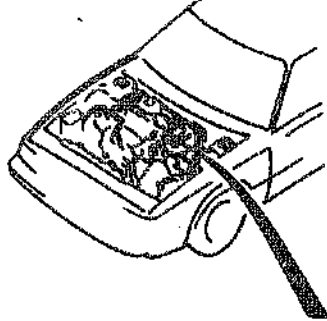
* NOTES: REFER TO SECT. NO. 1399 AS FOR HOSE CLIPS.

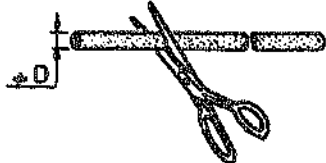
1 J 4



PART NO.	QTY	MODEL/RESTRICTION	MODEL/RESTRICTION	MODEL/RESTRICTION	FROM-TO
13-W75 8551-13-W75A	1	SCREW SET, IDLE ADJUS T-THR			
13-W8X 8591-13-W8X	1	SCREW & WASHER SET			
13-W80 865P-13-W80	1	BRACKET SET, DASH POT -THRO			
13-W89 8551-13-W89	1	GASKET, THERMO			
13-104H 8551-13-104	1	CAP, BLIND			
13-650E 861P-13-640B 864J-13-640	1 1 1	BODY, THROTTLE (MT) (AT)			
18-9101 8658-18-911 8630-18-911	1 1 1	SENSOR, THROTTLE (AT) (MT)			
20-660 861P-20-660	1	VALVE, BY-PASS AIR CO NTROL			

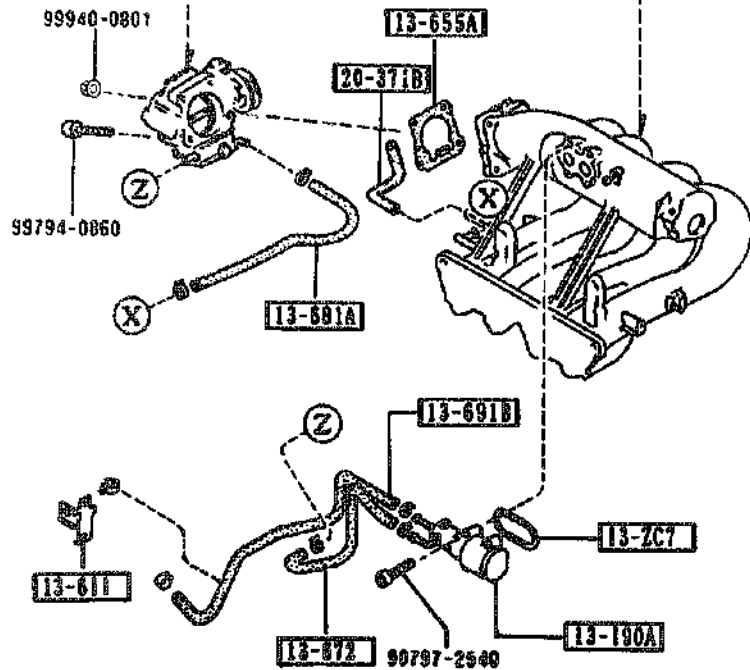
1370 EMISSION CONTROL SYSTEM (INLET SIDE)



93-5104		99351-04999	D=4MM

BODY, THROTTLE
(REFER TO SECT. NO. 1364)

MANIFOLD, INLET
(REFER TO SECT. NO. 1300)



PART NO.	QTY	MODEL/RESTRICTION	MODEL/RESTRICTION	MODEL/RESTRICTION	FROM-TO
13-ZC7	1	RING, 'O'-AIR VALVE			
B6S7-13-ZC7	1				
13-190A	1	VALVE, AIR			
B61P-13-190A	1	(MT)			
B64J-13-190	1	(AT)			
13-611	1	BRACKET			
B61P-13-685A	1				
13-655A	1	GASKET			
B6S7-13-655	1	NON ASBESTOS			
13-672	1	HOSE, WATER			
B61P-13-682A	1				
13-681A	1	HOSE, WATER			
B61P-13-681B	1				
13-691B	1	HOSE, WATER			
B61P-13-691A	1				
20-371B	1	TUBE, VACUUM			
B61P-20-371	1				
93-5104	1	HOSE			
99351-04999	1				

* NOTES : REFER TO SECT. NO. 1399 AS FOR HOSE CLIPS.

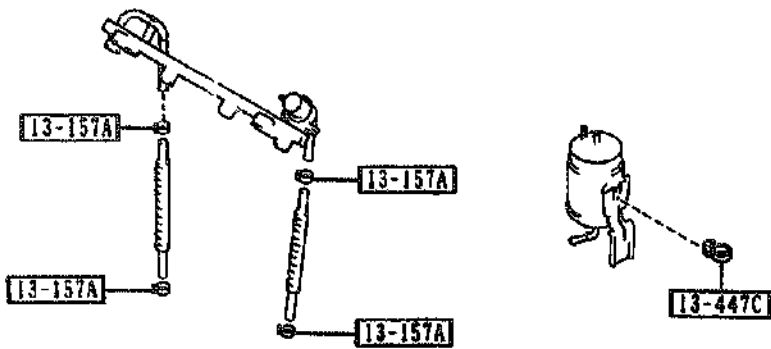
AUNA01

CAT. AUNA01-07

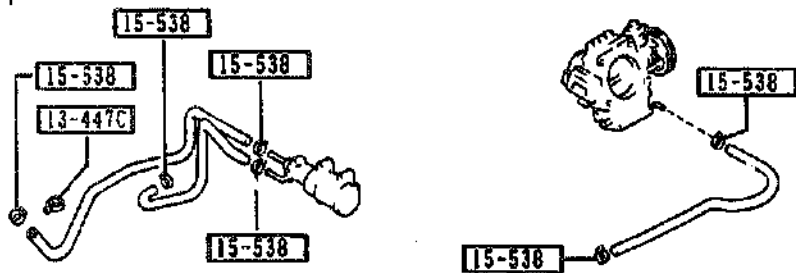
1992-02

1399 CAP & HOSE CLIP (INLET & EXHAUST SIDE)

(REFER TO SECT. NO. 1320)

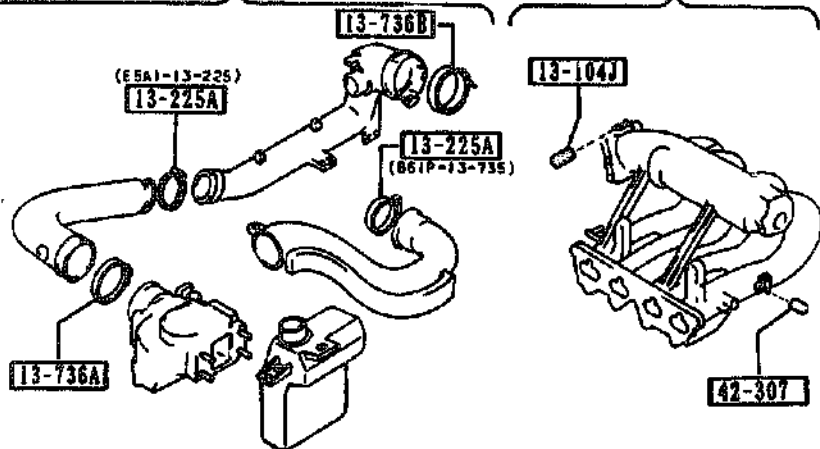


(REFER TO SECT. NO. 1370)



(REFER TO SECT. NO. 1330)

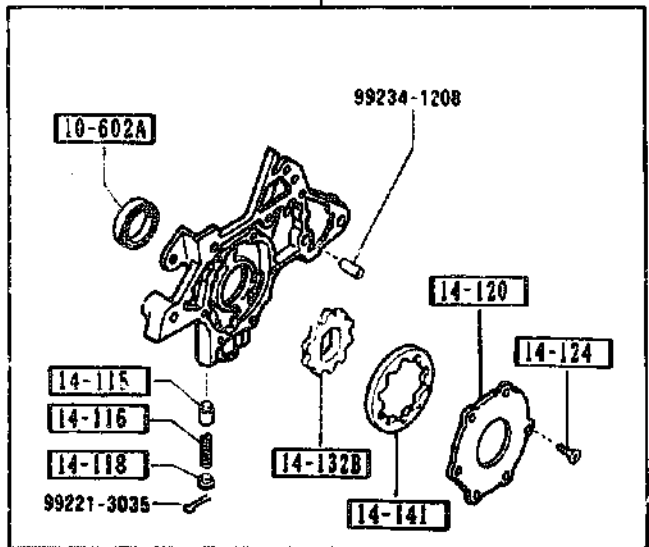
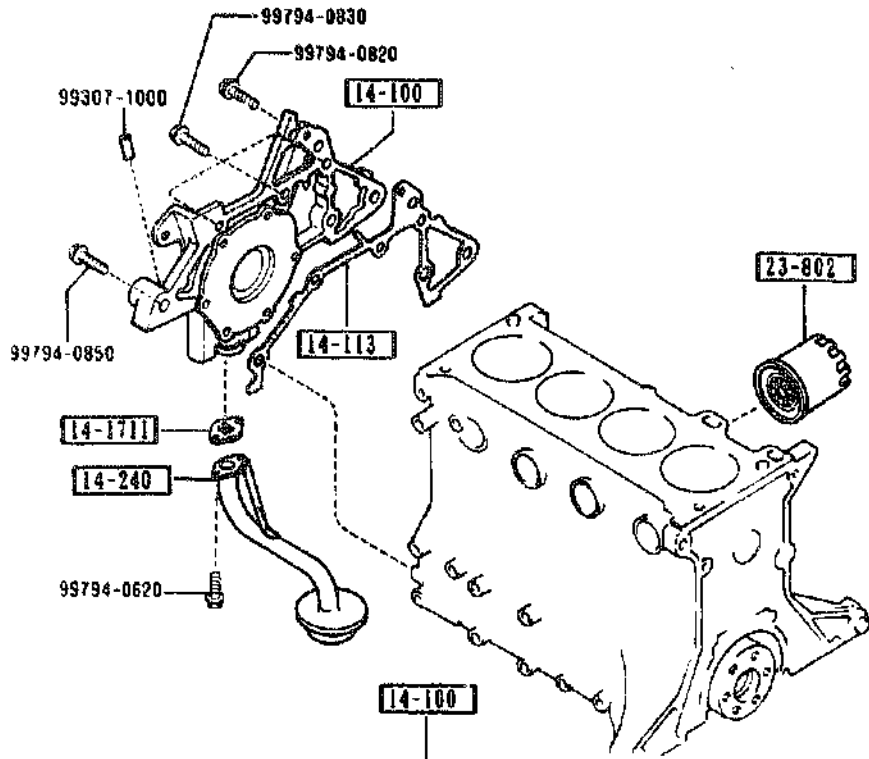
(REFER TO SECT. NO. 1300)



PART NO.	QTY	MODEL/RESTRICTION	MODEL/RESTRICTION	MODEL/RESTRICTION	FROM-TO
13-104J		CAP, BLIND			
1010-13-104	1				
13-157A		CLIP			
8574-13-157	4				
13-225A		CLAMP, HOSE			
E5A1-13-225	1				
B61P-13-735	1				
13-447C		CLAMP, HOSE			
B61P-13-447	2				
13-736A		CLAMP, HOSE-A. I. P./A. CLNR			
B630-13-736	1				
13-736B		CLAMP, HOSE			
F249-13-736	1				
15-538		CLAMP, WATER HOSE			
JF02-15-538	6				
42-307		CAP			
0223-42-307	1 (NT)				

1400 OIL PUMP & FILTER

1400 -1 M OIL PUMP & FILTER



PART NO.	QTY	MODEL/RESTRICTION	MODEL/RESTRICTION	MODEL/RESTRICTION	FROM TO
10-602A B630-10-602	1	SEAL, OIL			
14-100 B660-14-100E	1	PUMP, OIL			
14-113 B630-14-113	1	GASKET, OIL PUMP ASBESTOS			
14-115 0221-14-115	1	PLUNGER, CONTROL			
14-116 0324-14-116A	1	SPRING, PRESSURE			
14-118 0222-14-118	1	SHEET, SPRING			
14-120 B630-14-121	1	COVER, OIL PUMP			
14-124 FE1H-14-124	6	SCREW, OIL PUMP COVER			
14-132B B660-14-132	1	GEAR, INNER			
14-141 B660-14-141	1	GEAR, OUTER			
14-1711 0810-14-171A	1	GASKET, OIL STRAINER ASBESTOS			
14-240 B61P-14-240	1	STRAINER, OIL			
23-802 B6Y1-14-302	1	CARTRIDGE, OIL FILTER			

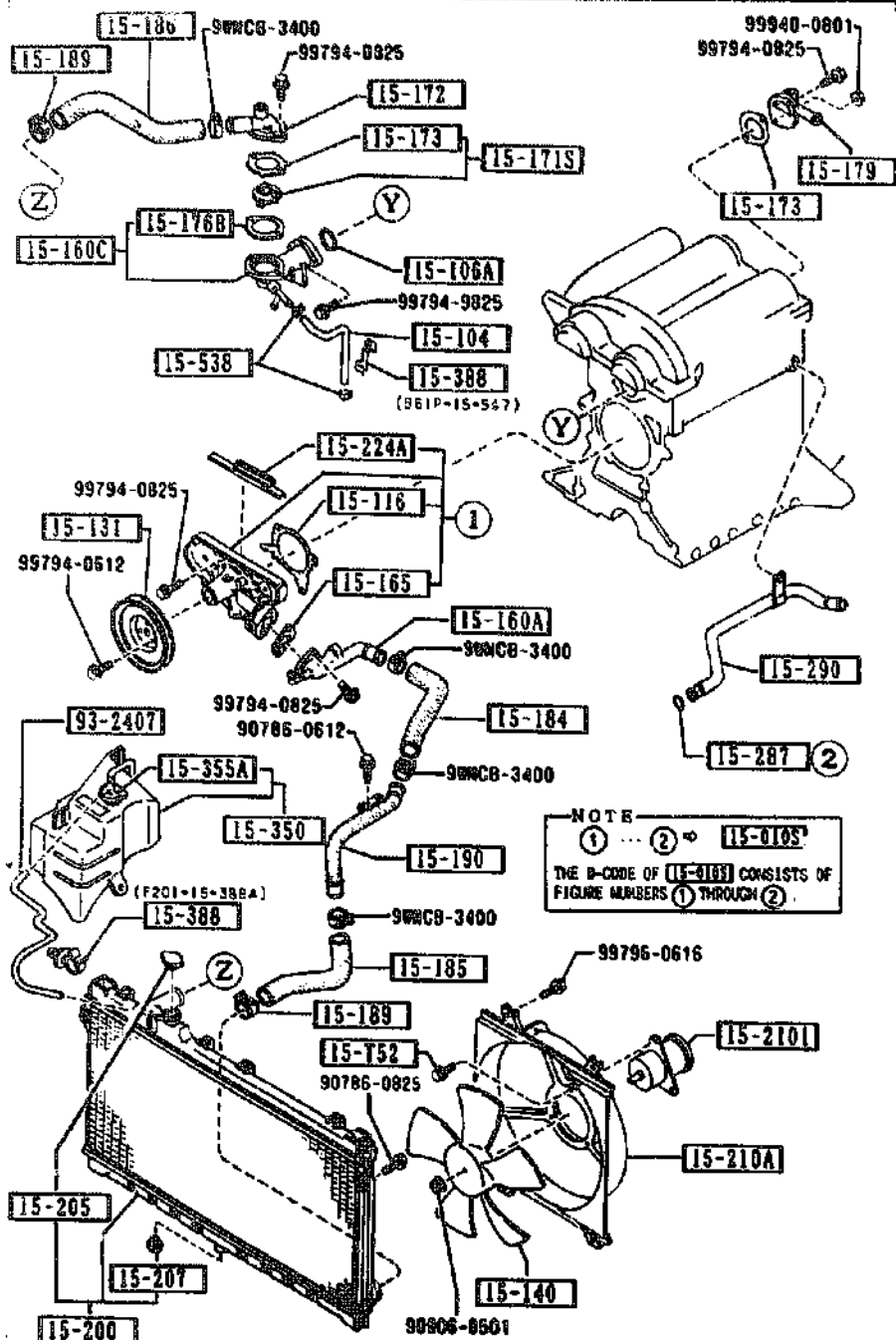
SECTION NAME INDEX (ENGINE)

LO.NO	SEC.NO	SECTION NAME	LO.NO	SEC.NO	SECTION NAME	LO.NO	SEC.NO	SECTION NAME
1-C03	1000	SHORT ENGINE & GASKET SETS						
1-D03	1010	CYLINDER HEAD & COVER						
1-G03	1030	CYLINDER BLOCK						
1-I03	1040	OIL PAN & TIMING COVER						
1-K03	1100	PISTON, CRANKSHAFT & FLYWHEEL						
1-N03	1200	VALVE SYSTEM						
1-O04	1300	INLET MANIFOLD						
1-E04	1310	EXHAUST MANIFOLD						
1-F04	1320	FUEL SYSTEM						
1-H04	1325	FUEL DISTRIBUTOR						
1-I04	1330	AIR CLEANER						
1-K04	1364	THROTTLE BODY						
1-L04	1370	EMISSION CONTROL SYSTEM (INLET SIDE)						
1-M04	1399	CAP & HOSE CLIP (INLET & EXHAUST SIDE)						
1-N04	1400	OIL PUMP & FILTER						
1-C05	1500	COOLING SYSTEM						
1-G05	1580	BRACKET, PULLEY & BELT						
1-C06	1600	CLUTCH DISC & COVER (MANUAL)						
1-D06	1700	TRANSMISSION CASE (MANUAL)						
1-E06	1710	TRANSMISSION GEARS (MANUAL)						
1-J06	1720	CHANGE CONTROL SYSTEM (MANUAL)						
1-M06	1800	ENGINE ELECTRICAL SYSTEM						
1-C07	1830	ALTERNATOR						
1-E07	1840	STARTER						
1-G07	1850	BATTERY						
1-H07	1910	TORQUE CONVERTER, OIL PUMP & PIPINGS (AUTOMATIC)						
1-K07	1920	TRANSMISSION CASE & MAIN CONTROL SYSTEM (AUTOMATIC)						
1-E08	1925	CONTROL VALVE (AUTOMATIC)						
1-I08	1930	CLUTCHES & PLANETARY GEARS (AUTOMATIC)						
1-D09	1940	GOVERNOR, LOW & REVERSE PISTON (AUTOMATIC)						
1-G09	1950	MANUAL LINKAGE SYSTEM (AUTOMATIC)						
1-I09	1960	GASKET & SEAL KIT (AUTOMATIC)						

CATLOG-NO= AUNA01-07

DATE. 1992-02

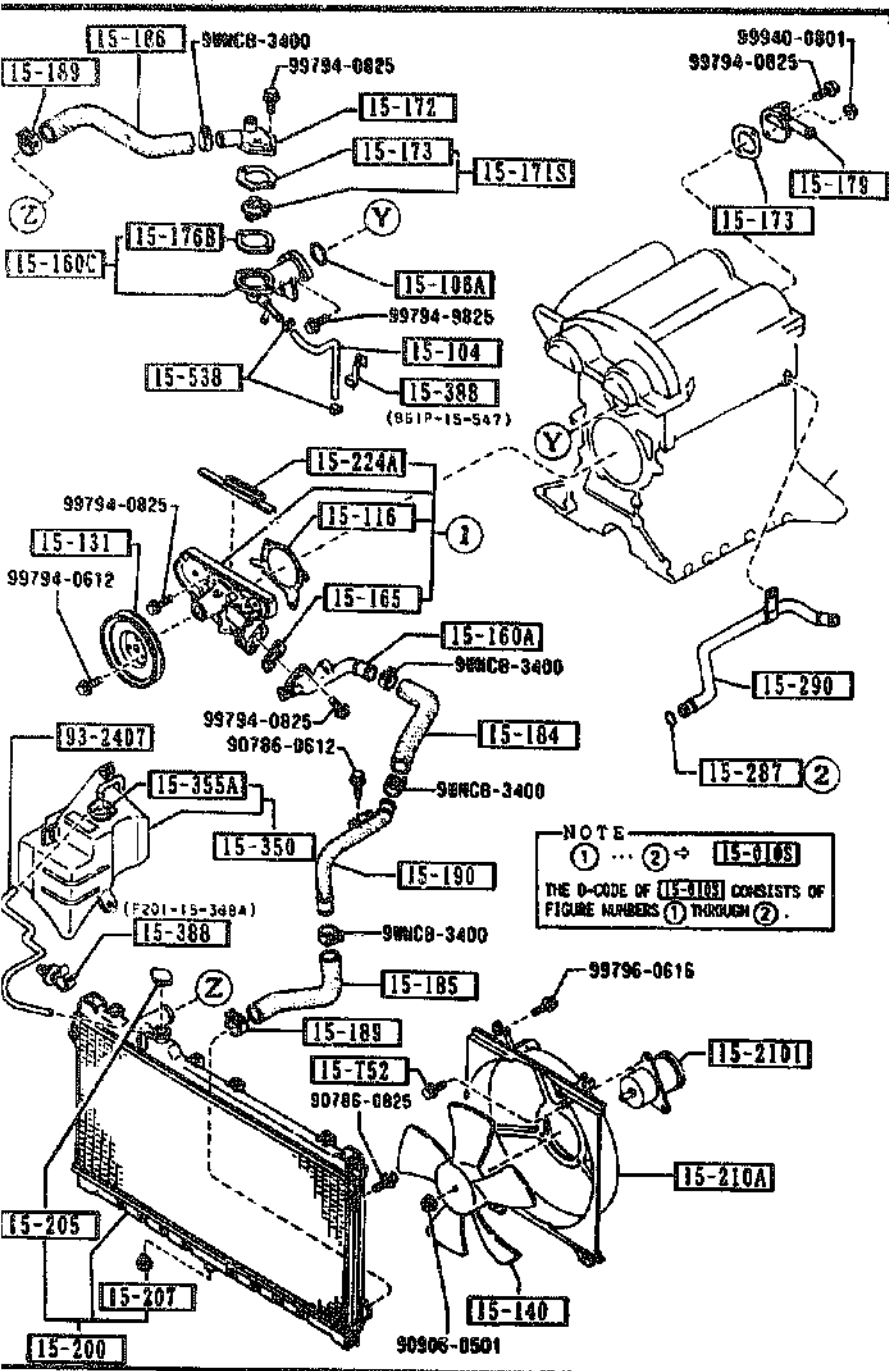
1500 COOLING SYSTEM



PART NO.	QTY	MODEL/RESTRICTION	MODEL/RESTRICTION	MODEL/RESTRICTION	FROM TO
15-Y52 B65B-15-Y52	3	SCREW, MOTOR-ELECTRIC FAN			
15-010S B6B8-15-010	1	PUMP SET, WATER NON ASBESTOS			
15-104 B61P-15-261A	1	HOSE, WATER BY-PASS			
15-106A B61P-15-106	1	RING, 'D'-WATER PUMP			
15-116 B621-15-116A	1	GASKET, WATER PUMP NON ASBESTOS			
15-131 B366-15-131 AN(B366-15-131A)	1	PULLEY, WATER PUMP			-9901
15-140 B65B-15-140A	1	FAN, COOLING CALSONIC (AT)			9901-
15-140 B61P-15-140	1	(MT)			
15-160A B61P-15-160	1	INLET, WATER PUMP			
15-160C B61P-15-170A A (B61P-15-170B)	1	PIPE, WATER PUMP			-9401
15-170B B61P-15-170B	1				9401-
15-165 B621-15-165	1	GASKET, W. PUMP INLET NON ASBESTOS			
15-171S B6N1-15-171	1	THERMOSTAT SET NON ASBESTOS			

9401 NA35HH-10090
 9901 NA35HH-119257

1500 COOLING SYSTEM



PART NO.	QTY	MODEL/RESTRICTION	MODEL/RESTRICTION	MODEL/RESTRICTION	FROM-YD
15-172	1	COVER, THERMOSTAT			
B61P-15-172					
15-173	2	GASKET, THERMOSTAT COVER NON ASBESTOS			
B621-15-173					
15-176A	1	CASE, THERMOSTAT			-9401
B61P-15-176A A (B61P-15-176B)					
B61P-15-176B	1				9401-
15-179	1	OUTLET, WATER			-9415
B61P-15-179 A (B61P-15-179A)					
B61P-15-179A	1				9415-
15-184	1	HOSE, WATER			
B61P-15-184					
15-185	1	HOSE, WATER			
B61P-15-185					
15-186	1	HOSE, WATER			
B61P-15-186					
15-189	2	CLAMP, HOSE			
B366-15-182					
15-190	1	PIPE, WATER			
B61P-15-190					
15-200	1	RADIATOR CALSONIC (MT)			
B61P-15-200					
B44J-15-200A	1	CALSONIC (AT)			
15-205	1	CAP, RADIATOR CALSONIC			
D316-15-205					
9401 NA35HW-10090 9415 NA35HW-10072					

AUNA01

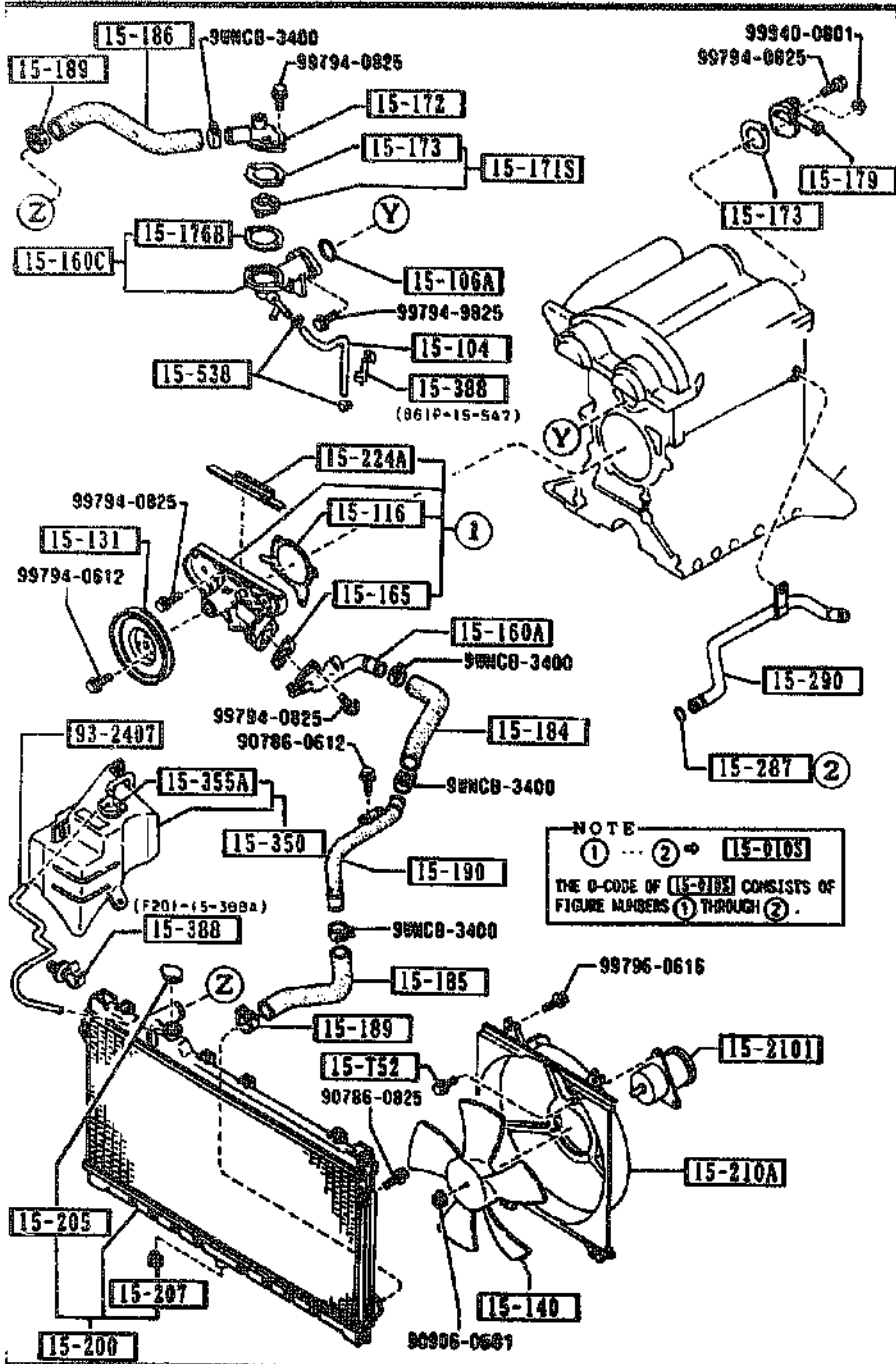
CAT. AUNA01-07

1992-02

1-D 5

AUR

1500 COOLING SYSTEM



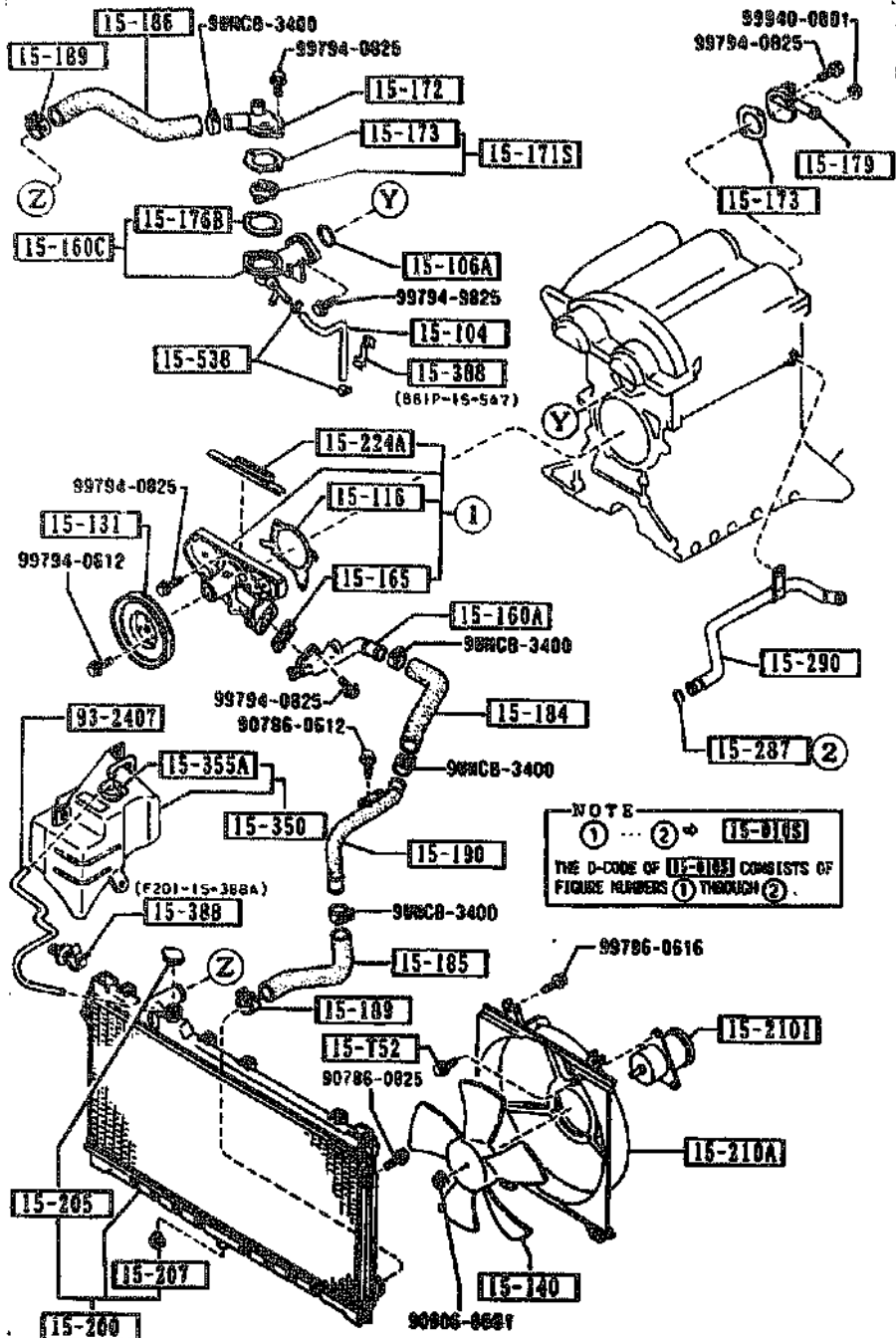
AUB/01

PART NO.	QTY	MODEL/RESTRICTION	MODEL/RESTRICTION	MODEL/RESTRICTION	FROM-Y0
15-207		COCK, DRAIN			
N326-15-203	1				
15-210A		COWLING, RADIATOR			
B61P-15-210A	1				
15-2101		FAN DRIVE			
B61P-15-150A	1 (MT)				
B64J-15-150	1 (AT)				
15-224A		RUBBER, SEAL			
B660-10-5438	1				
15-287		RING, 10°-WATER BY-PASS			
E301-15-287	1				
15-290		PIPE, BY PASS			
B61P-15-290	1				-9A01
AN(B61P-15-290A)					
B61P-15-290A	1				9A01-0301
AN(B61P-15-290B)					
B61P-15-290B	1				0301-
15-350		TANK, SUB-RADIATOR			
B61P-15-350A	1				-9419
A (B61P-15-350B)					
B61P-15-350B	1				9419-9901
AN(B61P-15-350C)					
B61P-15-350C	1				9901-
15-355A		CAP, SUB TANK			
B61P-15-355	1				-9901
AN(B61P-15-355A)					
B61P-15-355A	1				9901-
15-388		CLIP, HOSE-SUB T. & WATER H			
B61P-15-547	1				-9401
F201-15-388	1				
A (F201-15-388A)					
F201-15-388A	1				9401-
9401 NA35HW-10090					
9419 NA35HW-101038					
9901 NA35HW-119257					
9A01 NA35HW-122908					
0301 NA35HW-141901					

CAT. AUMAC1-07

1992-02

1500 COOLING SYSTEM



PART NO.	QTY	MODEL/RESTRICTION	MODEL/RESTRICTION	MODEL/RESTRICTION	FROM-TO
15-538	2	CLAMP, WATER HOSE			
JF02-15-538					
93-2407	1	HOSE, WATER			-9419
99324-07630	1				9419-
99324-07610	1				
9419 NASSHW-101038					

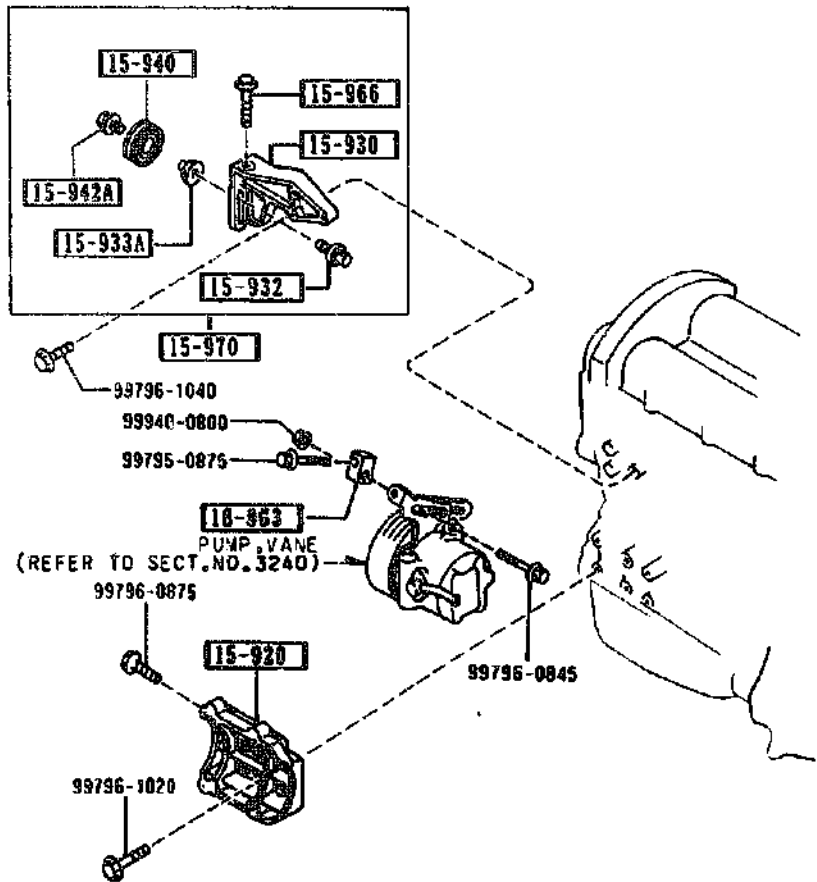
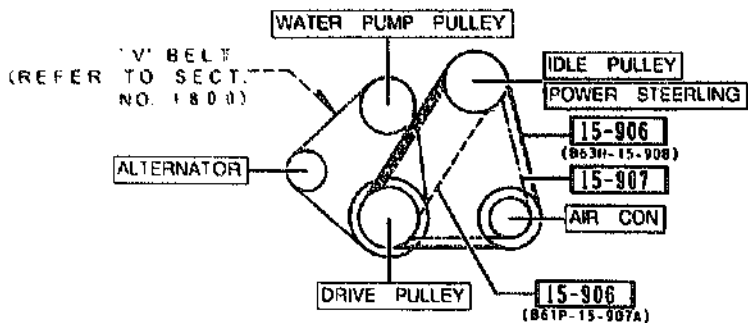
AMRA01

CAT. AMRA01-87

1992-02

1 5 5

1580 BRACKET, PULLEY & BELT



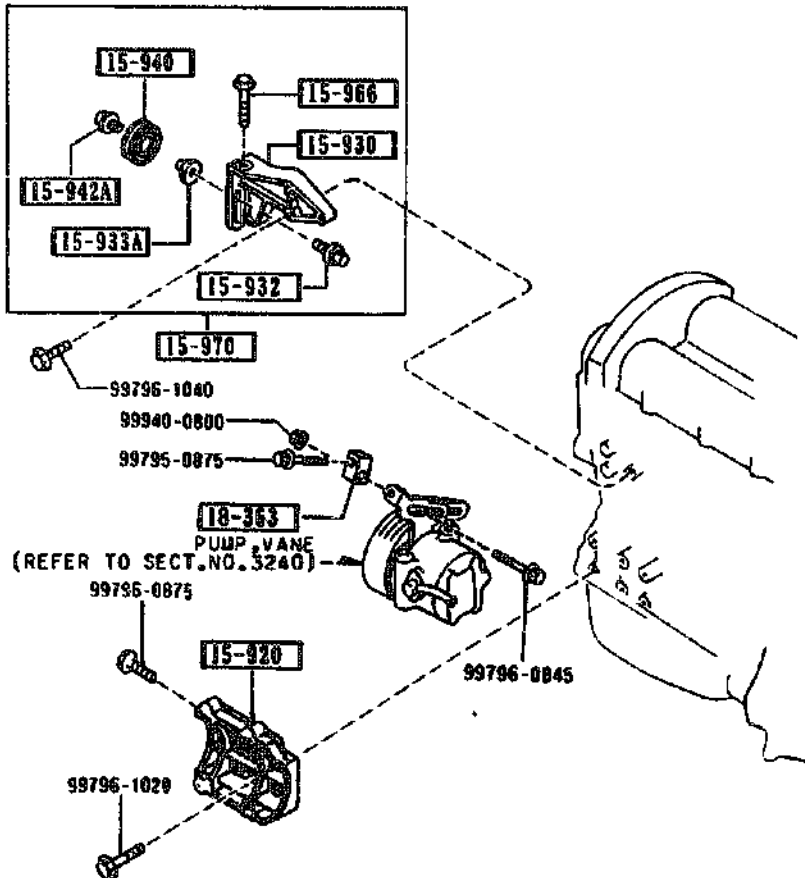
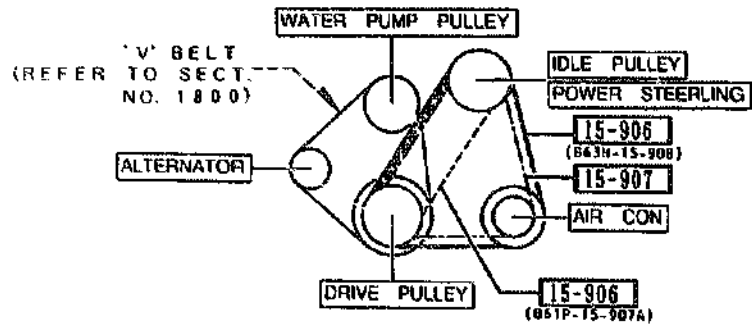
1580 -1 BRACKET, PULLEY & BELT

PART NO.	QTY	MODEL/RESTRICTION	MODEL/RESTRICTION	MODEL/RESTRICTION	FROM-TO
15-906		BELT 'V'			
B63H-15-908	1	L=955 4PK RIB.V			
B61P-15-907 AN(B61P-15-907A)	1	L=865 4PK RIB.BELT			-9626
B61P-15-907A	1	L=855 4PK RIB.BELT (W/P.S.)			9626-
15-907		BELT 'V'			
B63H-15-909	1	L=855 4PK RIB.V			
15-920		BRACKET, COMPRESSOR			
B61P-15-810A	1	(A)			
15-930		BRACKET, IDLE PULLEY			
BP01-15-951	1	(A)			
15-932		SHAFT, PULLEY			
B631-15-932	1	(A)			
15-933A		COLLAR			
BP01-15-933	1	(A)			
15-940		PULLEY, IDLE			
BP01-15-940	1	(A)			
15-942A		COLLAR			
E564-15-942	1	(A)			
15-966		BOLT, ADJUST			
E564-15-934	1	(A)			
15-970		PULLEY, IDLE			
BP01-15-930	1	(A)			
18-363		SPACER, STRAP			

9626 MASSNH-111021

1500 BRACKET, PULLEY & BELT

1580 -2 N BRACKET, PULLEY & BELT



PART NO.	QTY	MODEL/RESTRICTION	MODEL/RESTRICTION	MODEL/RESTRICTION	FROM-TO
CONT'D F203-18-363	1	(W/P.S.)			

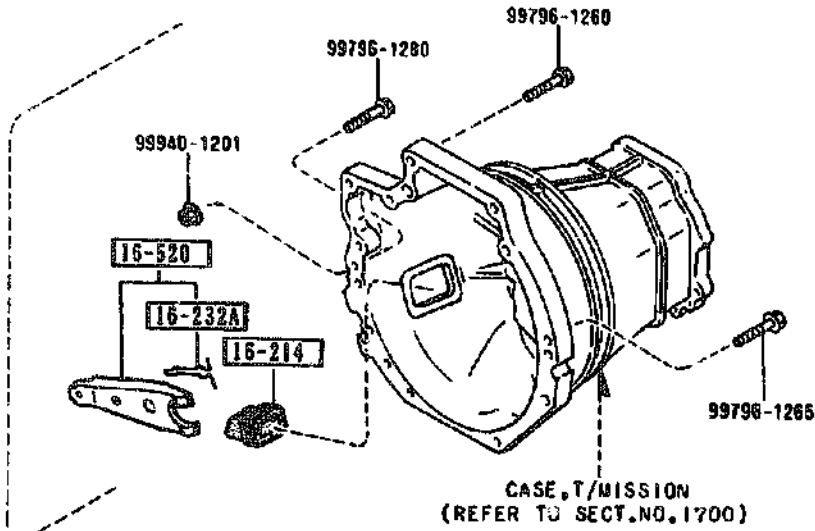
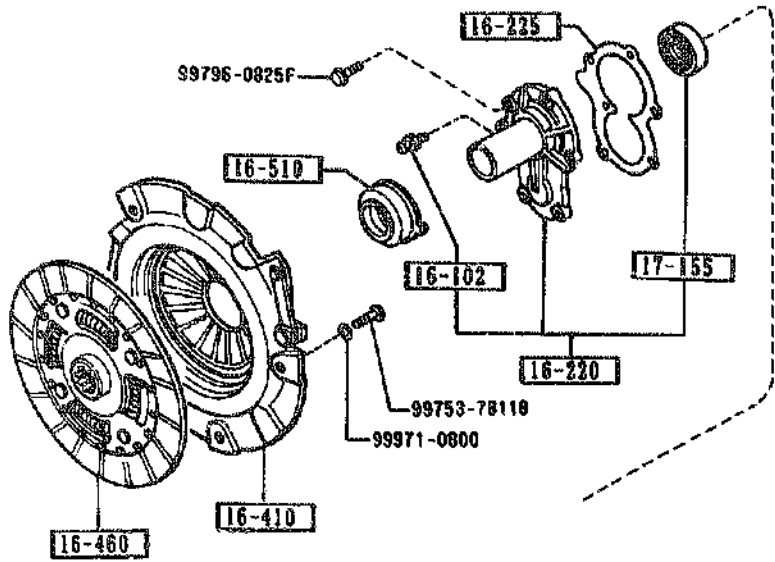
CAT. AIR1801-07

1992-02

SECTION NAME INDEX (ENGINE)

LO.NO	SEC.NO	SECTION NAME	LO.NO	SEC.NO	SECTION NAME	LO.NO	SEC.NO	SECTION NAME
1-C03	1000	SHORT ENGINE & GASKET SETS						
1-D03	1010	CYLINDER HEAD & COVER						
1-G03	1030	CYLINDER BLOCK						
1-I03	1040	OIL PAN & TIMING COVER						
1-K03	1100	PISTON, CRANKSHAFT & FLYWHEEL						
1-N03	1200	VALVE SYSTEM						
1-D04	1300	INLET MANIFOLD						
1-E04	1310	EXHAUST MANIFOLD						
1-F04	1320	FUEL SYSTEM						
1-H04	1325	FUEL DISTRIBUTOR						
1-I04	1330	AIR CLEANER						
1-K04	1364	THROTTLE BODY						
1-L04	1370	EMISSION CONTROL SYSTEM (INLET SIDE)						
1-M04	1399	CAP & HOSE CLIP (INLET & EXHAUST SIDE)						
1-N04	1400	OIL PUMP & FILTER						
1-C05	1500	COOLING SYSTEM						
1-G05	1580	BRACKET, PULLEY & BELT						
1-C06	1600	CLUTCH DISC & COVER (MANUAL)						
1-D06	1700	TRANSMISSION CASE (MANUAL)						
1-E06	1710	TRANSMISSION GEARS (MANUAL)						
1-J06	1720	CHANGE CONTROL SYSTEM (MANUAL)						
1-M06	1800	ENGINE ELECTRICAL SYSTEM						
1-C07	1830	ALTERNATOR						
1-E07	1840	STARTER						
1-G07	1850	BATTERY						
1-H07	1910	TORQUE CONVERTER, OIL PUMP & PIPINGS (AUTOMATIC)						
1-K07	1920	TRANSMISSION CASE & MAIN CONTROL SYSTEM (AUTOMATIC)						
1-E08	1925	CONTROL VALVE (AUTOMATIC)						
1-I08	1930	CLUTCHES & PLANETARY GEARS (AUTOMATIC)						
1-O09	1940	GOVERNOR, LOW & REVERSE PISTON (AUTOMATIC)						
1-G09	1950	MANUAL LINKAGE SYSTEM (AUTOMATIC)						
1-I09	1960	GASKET & SEAL KIT (AUTOMATIC)						

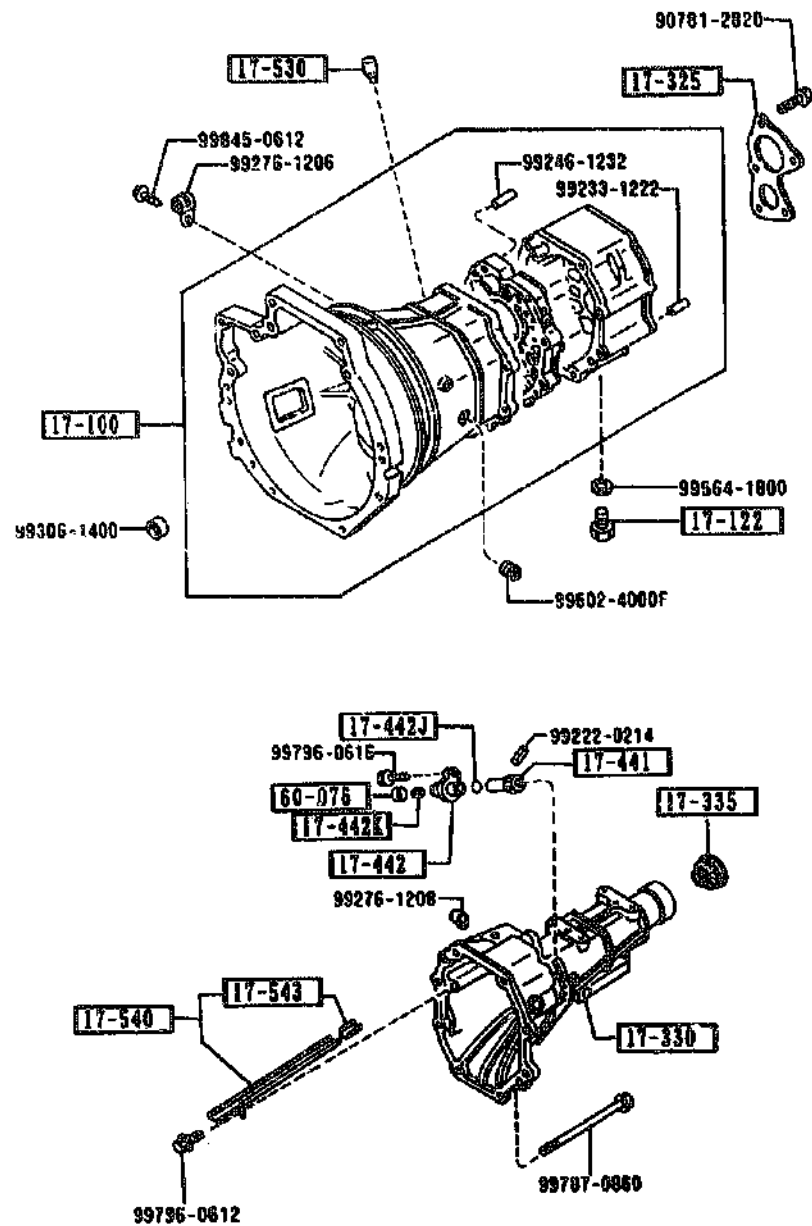




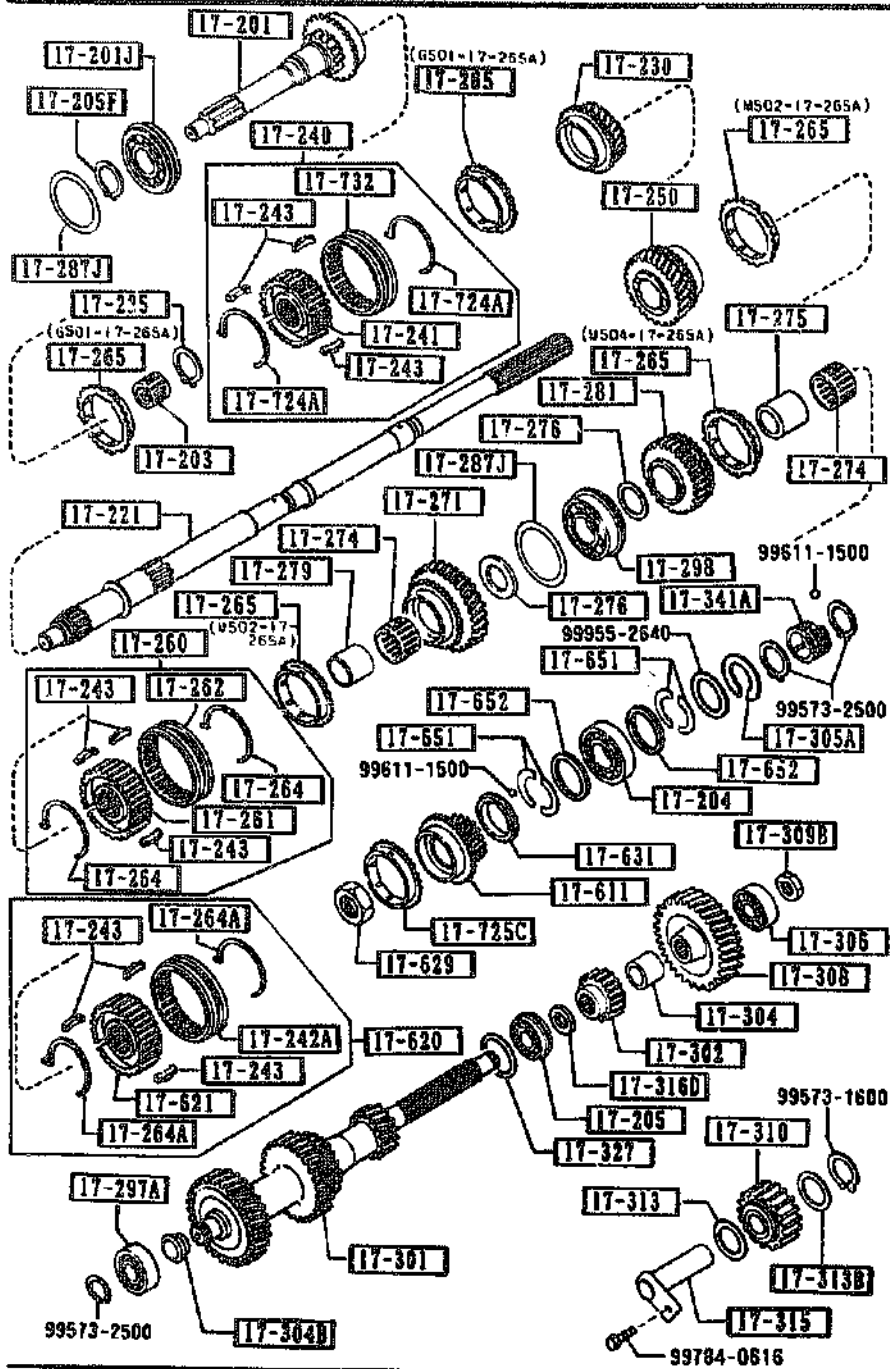
PART NO.	QTY	MODEL/RESTRICTION	MODEL/RESTRICTION	MODEL/RESTRICTION	FROM TO
16-102 0603-16-102B	1	PIN, PIVOT-CLUTCH REL. FORK			
16-214 FE86-16-214	1	COVER, DUST-CLUTCH FORK			
16-220 B622-16-220	1	COVER, FRONT CLUTCH			
16-225 FE50-16-225A	1	GASKET, FRONT COVER			
16-232A 1416-16-232A	1	SUPPORTER, FORK			
16-410 B622-16-410	1	COVER, CLUTCH			
16-460 B622-16-460 A (B622-16-460A)	1	DISC, CLUTCH ASBESTOS			-9330
B622-16-460A	1	ASBESTOS			9330-
16-510 B622-16-510	1	COLLAR, CLUTCH REL.			
16-520 B622-16-520	1	FORK, CLUTCH RELEASE			
17-155 H501-17-103	1	SEAL, OIL			

9330 NA35HW-100072

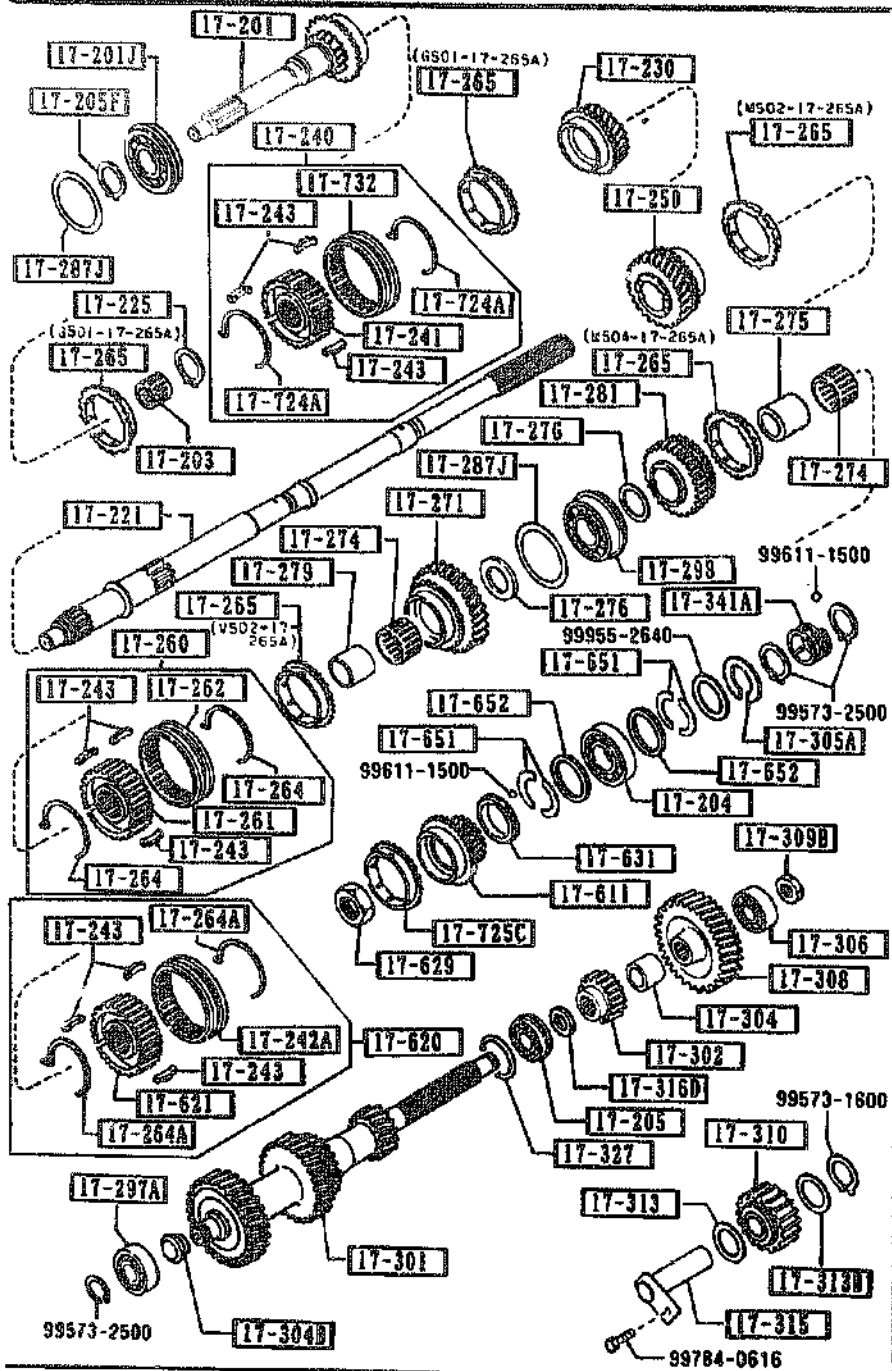
1700 TRANSMISSION CASE (MANUAL)



PART NO.	QTY	MODEL/RESTRICTION	MODEL/RESTRICTION	MODEL/RESTRICTION	FROM-TO
17-100		CASE, T/MISSION			
M526-17-100	1				
17-122		PLUG, MAGNET			
0810-17-121	1				
17-325		COVER, BEARING			
8086-17-326	1				
17-330		HOUSING, EXTENSION			
M5Y1-17-330	1				
17-335		SEAL, OIL			
M507-17-335	1				
17-441		GEAR, DRIVEN			
1472-17-441A	1	N=23			
17-442		SLEEVE, SPEEDOMETER			
1669-17-442B	1				
17-442J		RING, 'O'			
1011-17-443	1				
17-442K		SEAL, OIL			
99586-08166	1				
17-530		BREATHER, AIR-T/MISSION			
0384-17-530	1				
17-540		PASS, OIL			
M509-17-540	1				
17-543		RUBBER, SEAL			
M501-17-543A	1				
60-076		GASKET, GUIDE SEAL-SP			
8092-60-076A	1	EEDO.			



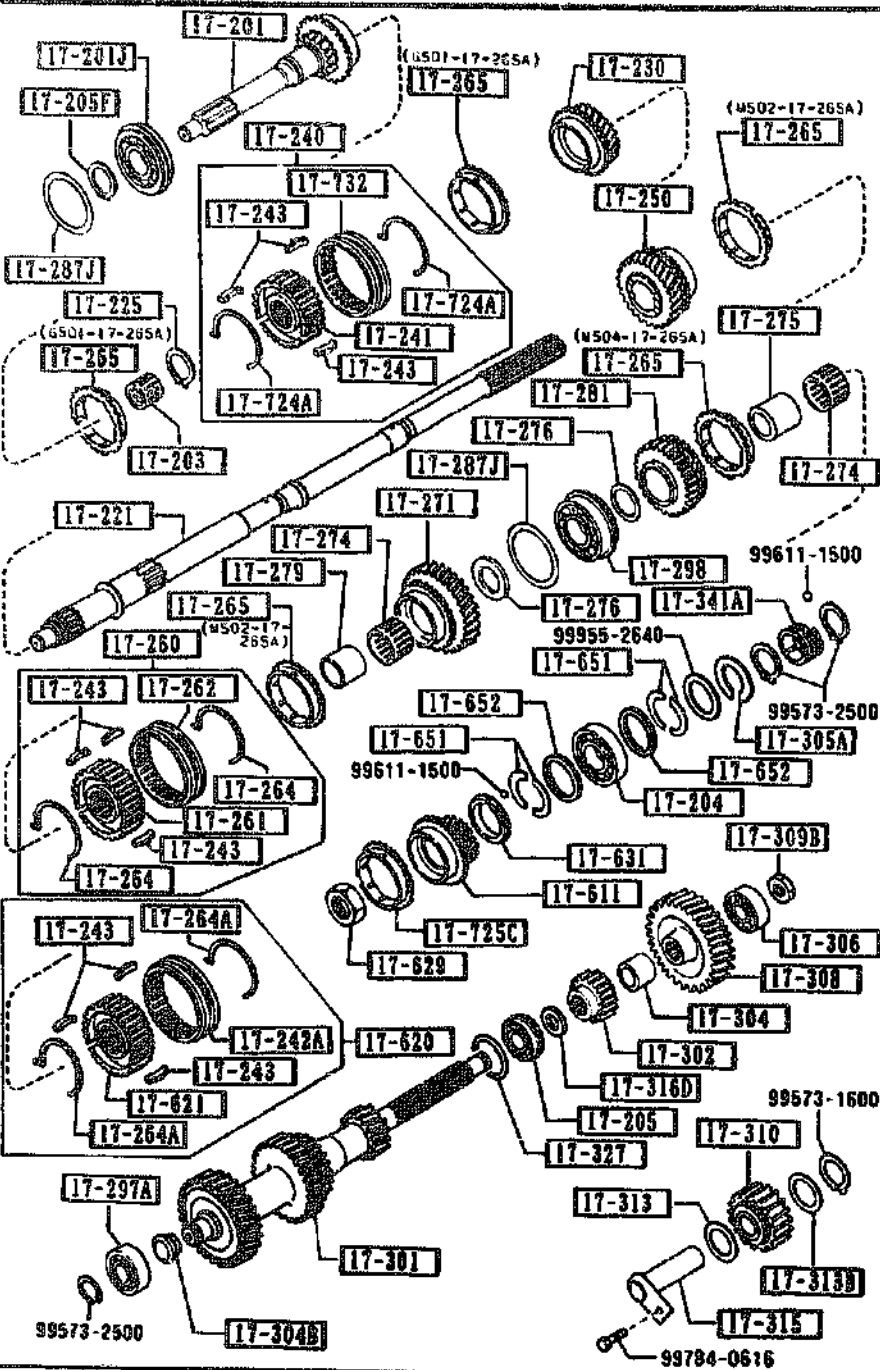
PART NO.	QTY	MODEL/RESTRICTION	MODEL/RESTRICTION	MODEL/RESTRICTION	FROM-TO
17-201	1	GEAR, MAIN DRIVE			
M516-17-201					
17-201J	1	BEARING, BALL-MAIN DRIVE GEAR			
M502-17-299C					
17-203	1	BEARING, NEEDLE			
M501-17-210					
17-204	1	BEARING, BALL-MAIN SHAFT			
M503-17-204					
17-205	1	BEARING, ROLLER			
R502-17-306A					
17-205F	1	RING, RETAINING			
M501-17-205					
17-221	1	SHAFT, MAIN			
M505-17-221B					
17-225	1	RING, SNAP			
0317-17-225					
17-230	1	GEAR, 3RD			
M513-17-231					
17-240	1	HUB SET, CLUTCH-3RD & 4TH			
M502-17-240B A (M502-17-240C)					-9701
M502-17-240C	1				9701-
17-241	1	HUB, CLUTCH			
M501-17-241B					
17-242A	1	SLEEVE, CLUTCH HUB			
F401-17-242A					
17-245	9	KEY, SYNCHRONIZER			
F401-17-243A					
9701 NA35NM-111969					



PART NO.	QTY	MODEL/RESTRICTION	MODEL/RESTRICTION	MODEL/RESTRICTION	FROM TO
17-250	1	GEAR, 2ND			
M515-17-251	1				
17-260	1	HUB SET, CLUTCH-1ST & 2ND			
M505-17-269A	1				
17-261	1	HUB, CLUTCH			
M502-17-261	1				
17-262	1	SLEEVE, CLUTCH HUB			
M503-17-262	1				
17-264	2	SPRING, SYNCHRO. KEY			
G401-17-264	2				
17-264A	2	SPRING, SYNCHRONIZER			
F401-17-264A	2				
17-265	2	RING, SYNCHRONIZER			
G501-17-265A	2				
M502-17-265A	2				
M504-17-265 A (M504-17-265A)	1				
M504-17-265A	1				
17-271	1	GEAR, 1ST			
M516-17-271	1				
17-274	2	BEARING, NEEDLE			
4069-17-283A	2				
17-275	1	RACE, INNER			
4069-17-284E	1				
17-276	2	WASHER, THRUST			
0259-17-274A	2	T=3.944			
0259-17-276	2	T=2.2MM			
0259-17-277	2	T=2.7MM			

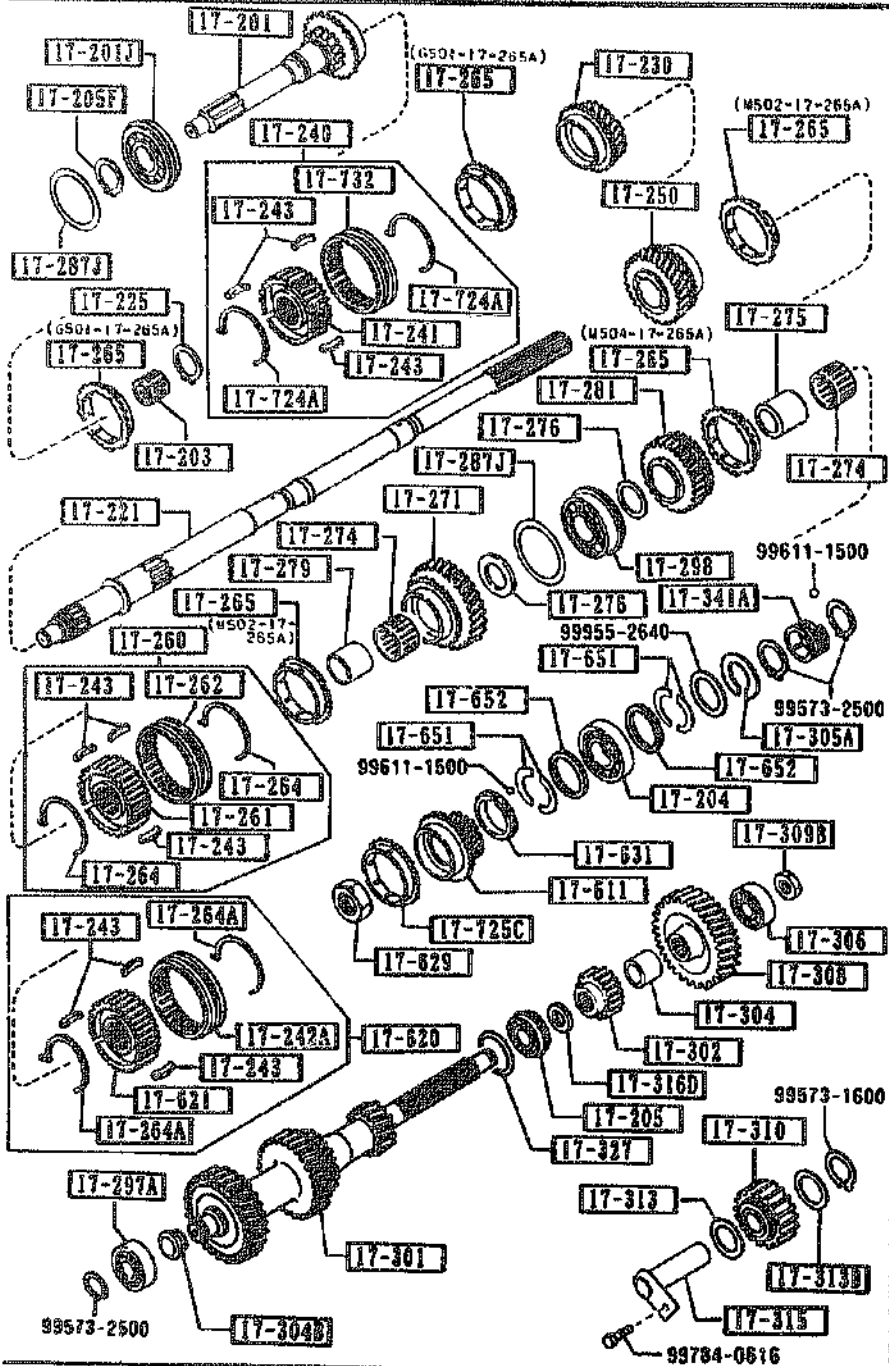
0101 N435MH-133591

1710 TRANSMISSION GEARS(MANUAL)



PART NO.	QTY	MODEL/RESTRICTION	MODEL/RESTRICTION	MODEL/RESTRICTION	FROM TO
CONT'D					
0259-17-278	2	T=3.2MM			
0259-17-279	2	T=3.7MM			
<u>17-279</u>		SLEEVE, GEAR			
8540-17-275A	1				
<u>17-281</u>		GEAR, REVERSE			
M509-17-281	1				-9801
A (M509-17-281A)					
M509-17-281A	1				9801-
<u>17-287J</u>		SHIM, ADJUST			
99963-6310	2	T=0.1MM			
99963-6315	1	T=0.15MM			
99963-6330	2	T=0.3MM			
<u>17-297A</u>		BEARING, BALL-COUNTER			
M502-17-297A	1	SHAFT G.			
<u>17-298</u>		BEARING			
M502-17-298A	1				
<u>17-301</u>		GEAR, COUNTER SHAFT			
M528-17-301	1				
<u>17-302</u>		GEAR, COUNTER REVERSE			
M512-17-302	1				-9801
A (M512-17-302A)					
M512-17-302A	1				9801-
<u>17-304</u>		SPACER			
M504-17-304	1				
<u>17-304B</u>		SPACER			
M501-17-304B	1				
<u>17-305A</u>		RING, RETAINING-BALL			
0839-17-305B	1	BEARING			
9801 NA35MM-116316					

1710 TRANSMISSION GEARS(MANUAL)



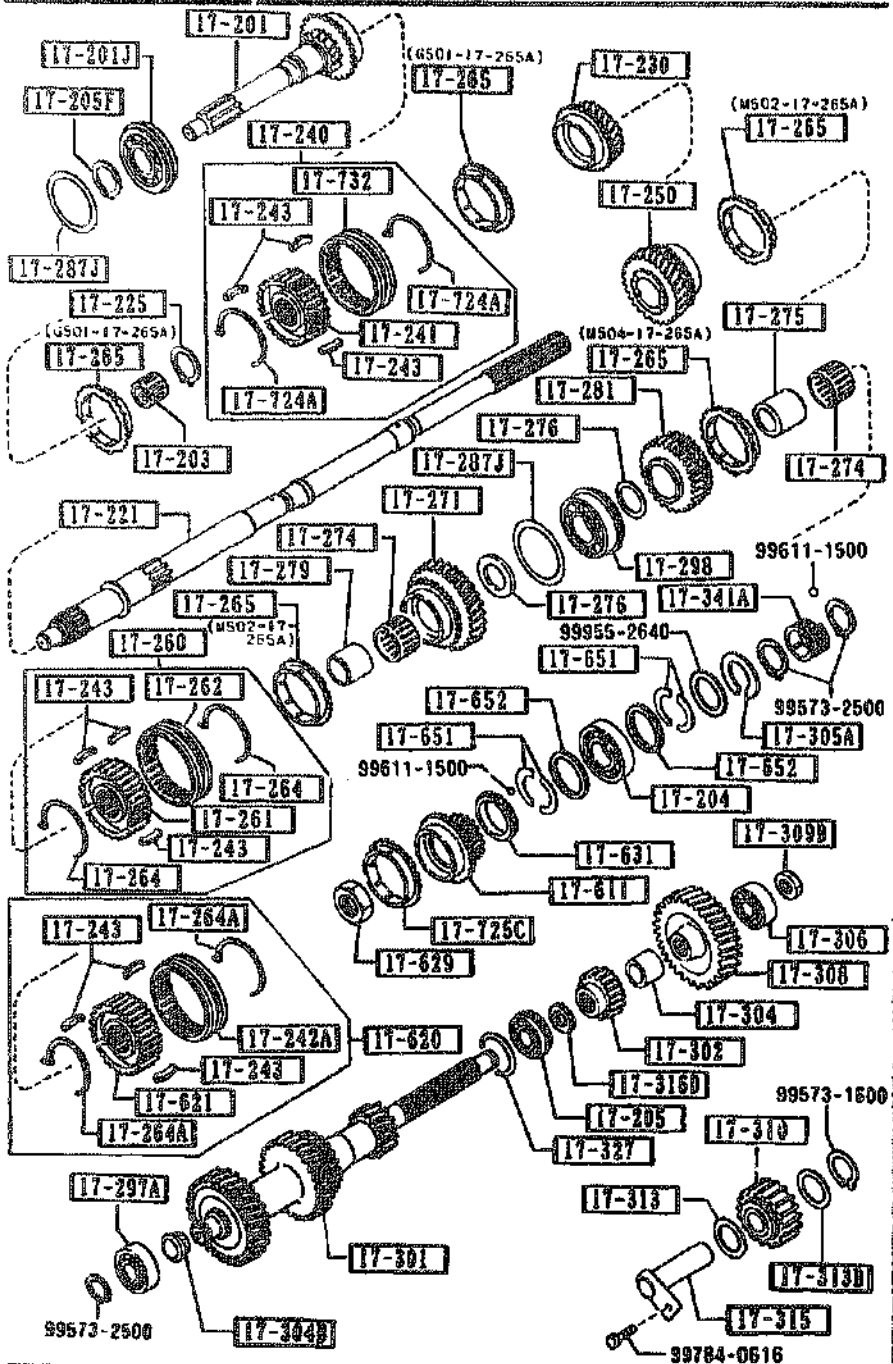
PART NO.	QTY	MODEL/RESTRICTION	MODEL/RESTRICTION	MODEL/RESTRICTION	FROM-TO
17-306		BEARING, BALL			
M502-17-299A	1				
17-308		GEAR, COUNTER			
M510-17-308	1				
17-309B		NUT, LOCK-COUNTER SHAFT BR			
M501-17-309	1				
17-310		GEAR, REVERSE IDLE			
M509-17-310	1				
M509-17-310A	3				
M509-17-310A	3				
17-313		WASHER, THRUST-REVERSE IDLE G.			
M501-17-313	1				
17-313B		WASHER, THRUST			
4077-17-314A	1	T=2.8MM			
4077-17-315A	1	T=3MM			
4077-17-316	1	T=2.6MM			
17-315		SHAFT, REV. IDLE GEAR			
8086-17-140A	1				
17-316D		SPACER			
R502-17-316	1				
17-327		SHIM, ADJUST-COUNTER SHAFT GEAR			
0305-17-327	2	T=0.1MM			
0305-17-328	1	T=0.3MM			
17-341A		GEAR, SPEEDO.DRIVE			
M505-17-341	1				
17-611		GEAR, OVER TOP			
M517-17-611	1				
9801 NASS#-116316					

AUWD1

CAT. AUNAD1-07

1992-02

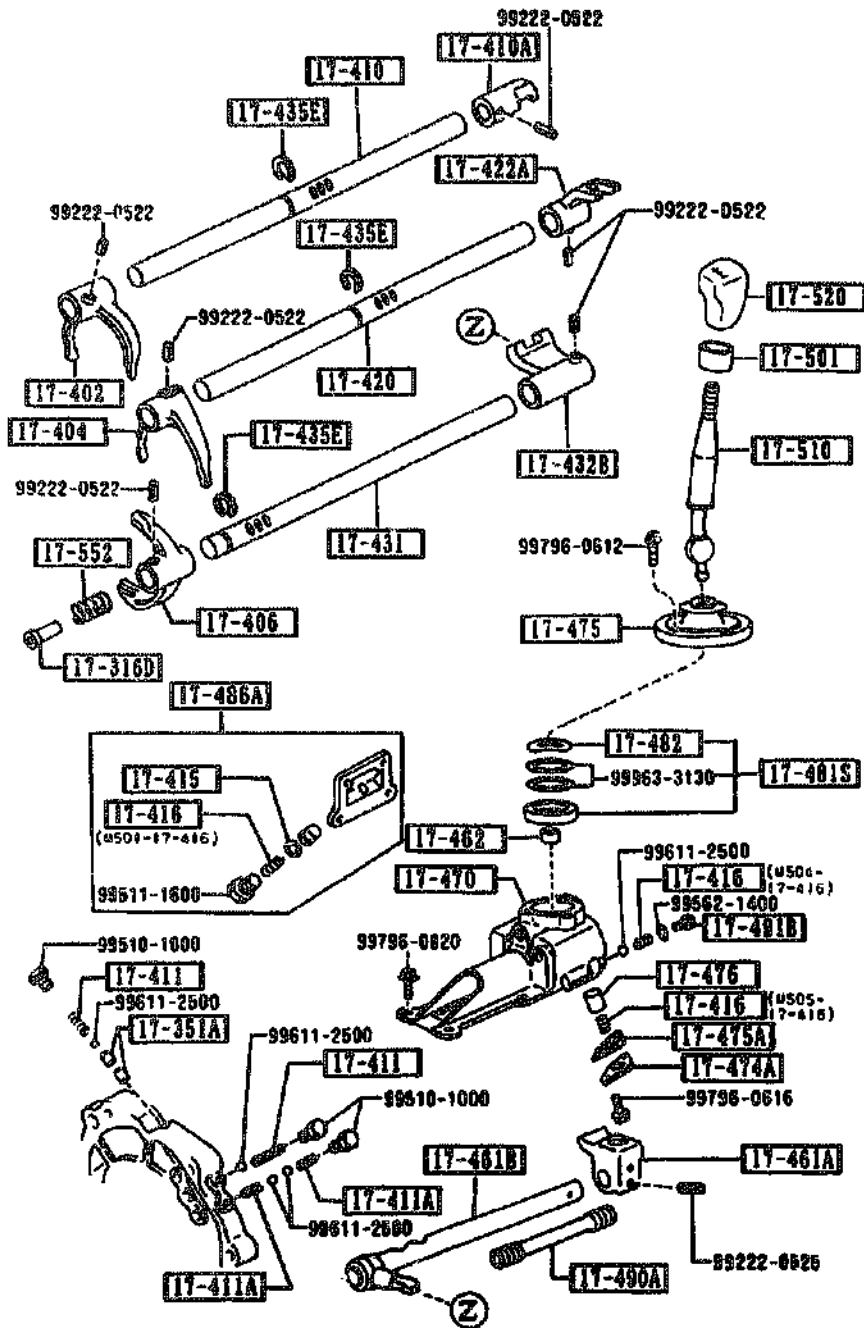
1710 TRANSMISSION GEARS(MANUAL)



PART NO.	QTY	MODEL/RESTRICTION	MODEL/RESTRICTION	MODEL/RESTRICTION	FROM TO
17-620	1	HUB SET, CLUTCH-O.Y. & REV			
M505-17-620					
17-621	1	HUB, CLUTCH			
M505-17-621					
17-629	1	NUT, LOCK-CLUTCH HUB			
8601-17-629					
17-631	1	WASHER, THRUST LOCK-OVER TOP G. T=6.2MM			
0884-17-632B					
0884-17-633B	1	T=6.4MM			
0884-17-634B	1	T=6.5MM			
0884-17-635B	1	T=6.6MM			
17-651	4	WASHER, THRUST T=3MM			
M501-17-651					
M501-17-653	2	T=3.1MM			
M501-17-654	2	T=3.2MM			
M501-17-655	2	T=2.9MM			
17-652	2	RING, THRUST WASHER T=2MM			
M501-17-652					
17-724A	2	SPRING, SYNCHRO. KEY			
W501-17-724					
17-725C	1	RING, SYNCHRONIZER			
V501-17-725					
17-732	1	SLEEVE, CLUTCH HUB			
W501-17-732A A (W501-17-732B)					-9701
W501-17-732B	1				9701-

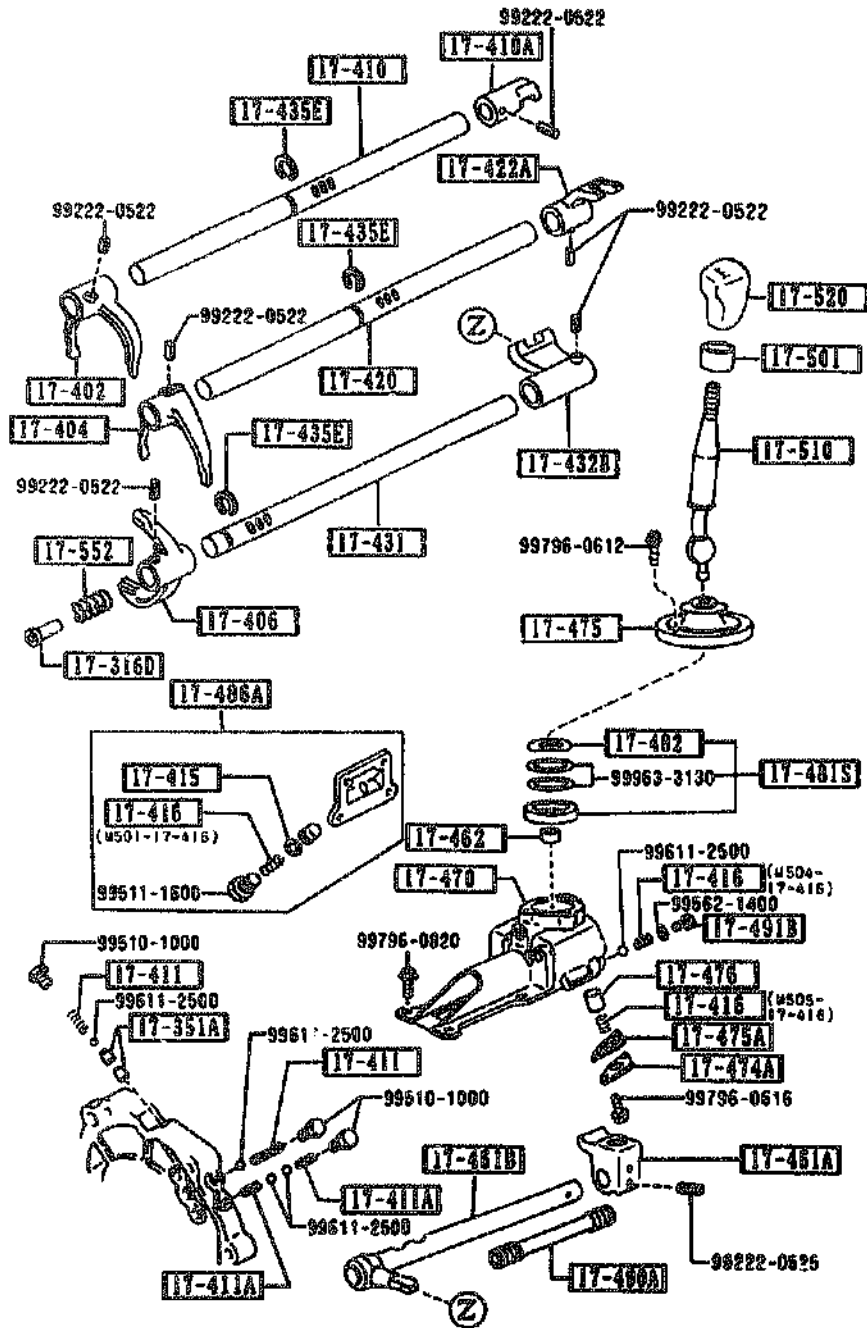
9701 MA35MM-111969

1720 CHANGE CONTROL SYSTEM (MANUAL)



PART NO.	QTY	MODEL/RESTRICTION	MODEL/RESTRICTION	MODEL/RESTRICTION	FROM-TO
17-316D	1	SPACER			
M504-17-316					
17-351A	2	PIN, INTER LOCK			
D114-17-351					
17-402	1	FORK, SHIFT (1ST&2ND)			
M503-17-402					
17-404	1	FORK, SHIFT (3RD&4TH)			
M501-17-404B					
17-406	1	FORK, SHIFT			
M504-17-406A					
17-410	1	ROD, SHIFT (1ST&2ND)			
M503-17-411					
17-410A	1	END, S/ROD (1ST&2ND)			
M507-17-412					
17-411	2	SPRING, SHIFT ROD 5TH & REVERSE			
0103-17-411					
17-411A	2	SPRING, SHIFT ROD-REV ERSE			
0014-17-411					
17-415	1	RING, RETAINING-SHIFT ROD END			
3648-17-415					
17-416	1	SPRING, SHIFT ROD END			
M501-17-416					
17-416	1				
M504-17-416					
M505-17-416					
17-420	1	ROD, SHIFT (3RD&4TH)			
M503-17-421					
17-422A	1	END, S/ROD (3RD&4TH)			
M507-17-422					

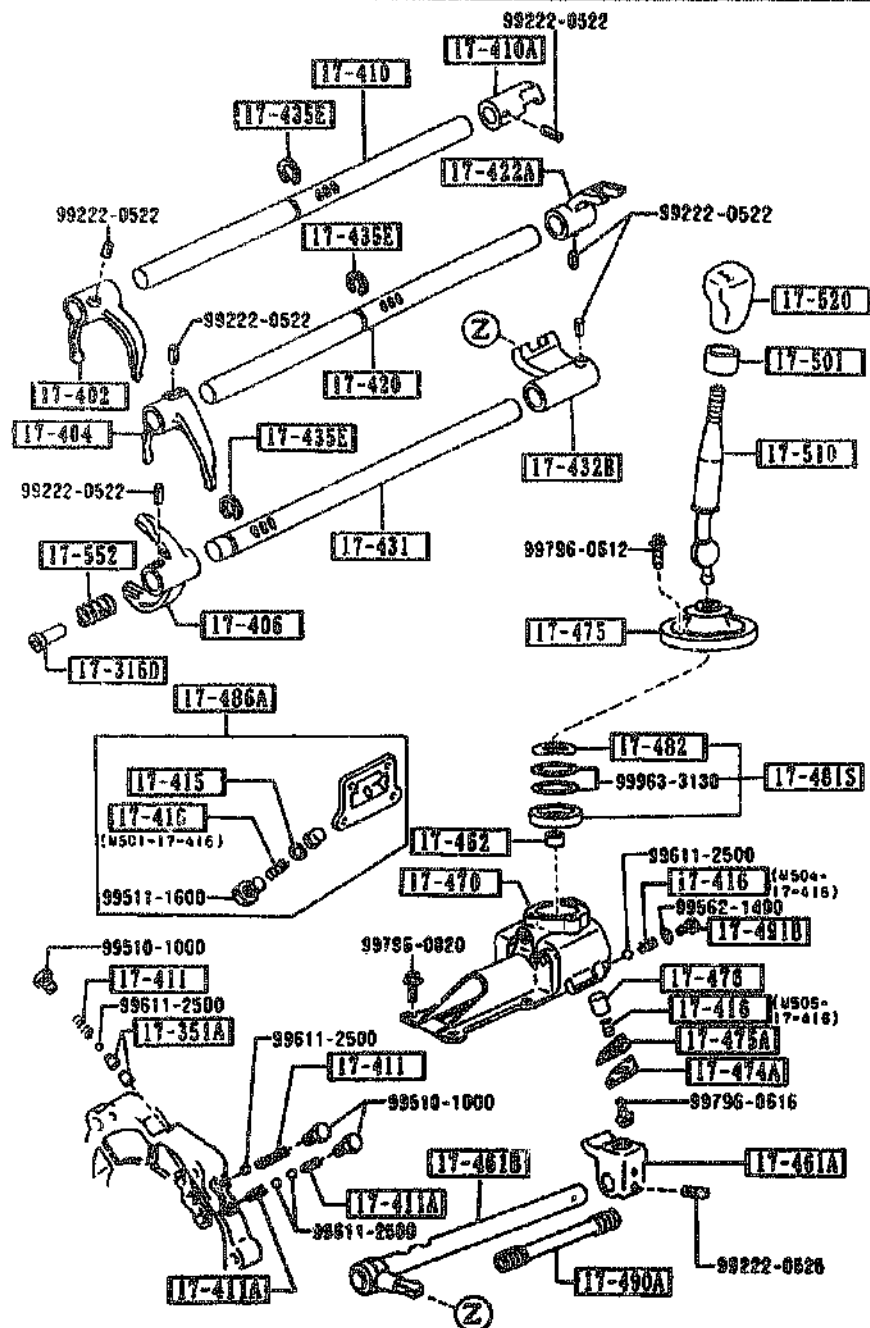
1720 CHANGE CONTROL SYSTEM (MANUAL)



PART NO.	QTY	MODEL/RESTRICTION	MODEL/RESTRICTION	MODEL/RESTRICTION	FROM-TO
17-431	1	ROD, SHIFT-OVER TOP & REVERSE			-0316
M506-17-431 A (M506-17-431A)	1				0316-
M506-17-431A	1				
17-432B	1	END, SHIFT ROD (O/TOP & REV.)			
M508-17-432	1				
17-435E	3	RING, RETAINING			
R502-17-435	3				
17-461A	1	END, CONTROL LEVER			
M508-17-461	1				
17-461B	1	ROD, CONTROL			
M516-17-450	1				
17-462	1	SHEET, SPRING			
0398-17-462A	1				
17-470	1	CASE, CHANGE CONTROL			-0116
M510-17-470B A (M510-17-470C)	1				0116-
M510-17-470C	1				
17-474A	1	CAP, SPRING			
M501-17-474	1				
17-475	1	BODY, DUST-CHANGE LEVER			-0515
M514-17-480 A (M514-17-480A)	1				0515-
M514-17-480A	1				
17-475A	1	GASKET, SPRING CAP			
M501-17-475	1				
17-476	1	SPINDLE, SELECT LOCK			
M502-17-476A	1				
17-481S	1	BUSH SET, CHANGE LEVE			
M505-99-176	1				

0116 NAS5MH-134600
 0316 NAS5MH-144394
 0515 NAS5MH-151991

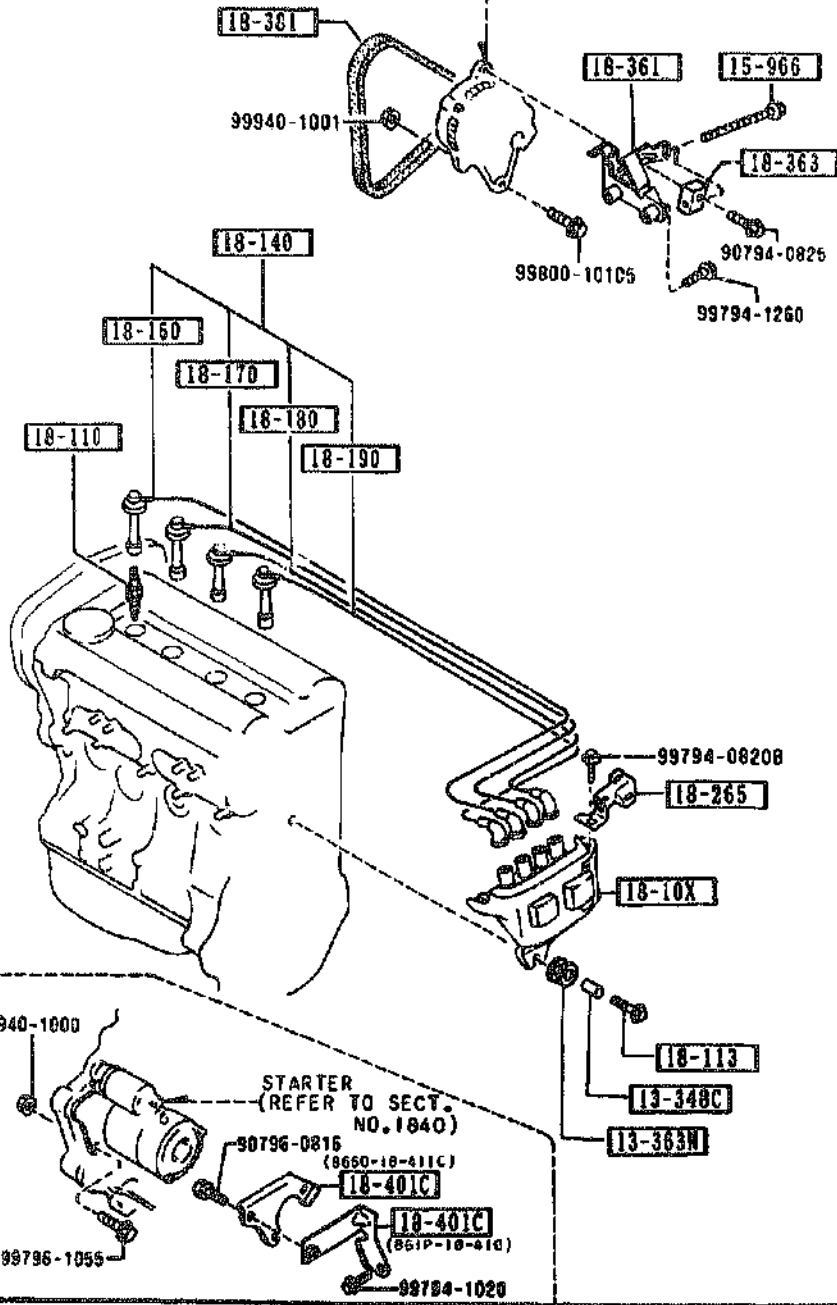
1720 CHANGE CONTROL SYSTEM (MANUAL)



PART NO.	QTY	MODEL/RESTRICTION	MODEL/RESTRICTION	MODEL/RESTRICTION	FROM TO
17-482		WASHER, WAVE--CHANGE C			
M505-17-482	1	ONT. CASE			
17-486A		COVER, BLIND			
R501-17-47X	1				
17-490A		COVER, ROD			
M504-17-490A	1				
17-491B		CAP, SPRING			
0163-17-491	1				
17-501		INSULATOR, CHG LEVER			
M501-17-501	1				
17-510		LEVER, CHANGE			
M524-17-510A	1				
17-520		KNOB, CHANGE LEVER			
M515-17-520	1				
00		WAO BLACK			
17-552		SPRING			
M504-17-552	1				

1800 ENGINE ELECTRICAL SYSTEM

ALTERNATOR
(REFER TO SECT.NO.1830)



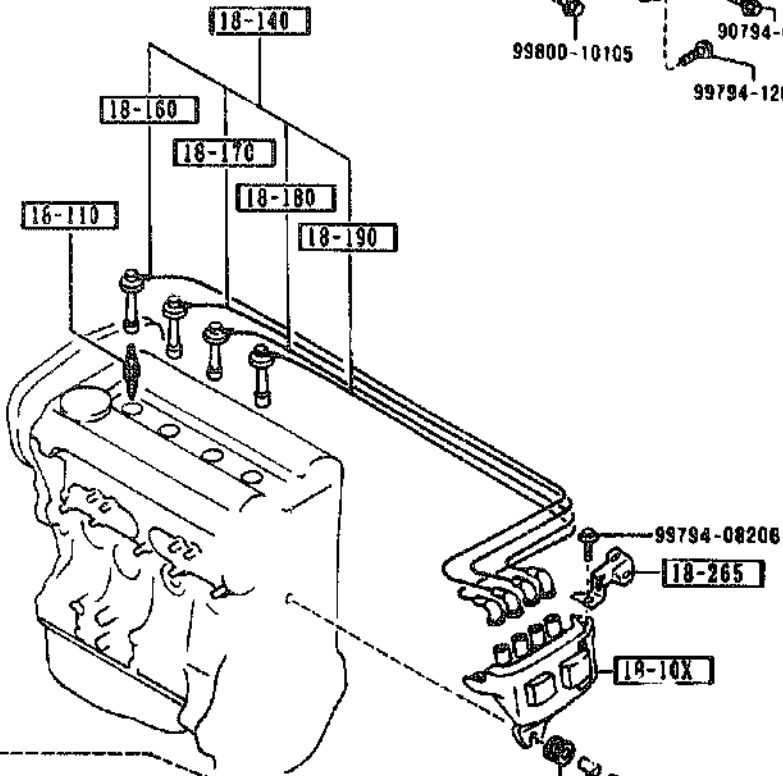
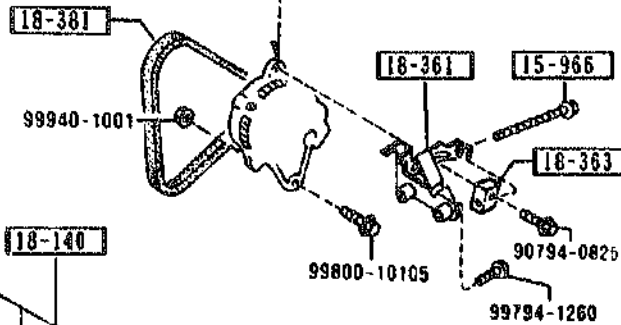
PART NO.	QTY	MODEL/RESTRICTION	MODEL/RESTRICTION	MODEL/RESTRICTION	FRGM-TO
13-348C		SPACER			
B61P-13-348	1				
13-363N		RUBBER, MOUNTING			
B61P-13-363A	1				
15-966		BOLT, ADJUST			
FE38-15-966	1				
18-10X		COIL & IGNITER			
B61P-18-10XB AN(B61P-18-10XC)	1				-0521
B61P-18-10XC	1				0521-
18-110		PLUG, SPARK			
BP01-18-110	4	BKR5E11 NGK (OPTION HOT TYPE)			
BP02-18-110	4	K16PR-U11 DENSO (OPTION HOT TYPE)			
BP03-18-110	4	BKR6E-11 NGK (STD.)			
BP04-18-110	4	K20PR-U11 DENSO (STD.)			
BP05-18-110	4	BKR7E11 NGK (OPTION COLD TYPE)			
BP06-18-110	4	K22PR-U11 DENSO (OPTION COLD TYPE)			
18-113		BOLT			
B61P-18-1A5A	1				
18-140		CORD SET, HI. TENSION			
B61P-18-140B	1				
18-160		CORD NO.1, HI. TENSION			
B61P-18-160B	1				
18-170		CORD NO.2, HI. TENSION			
B61P-18-170B	1				
18-180		CORD NO.3, HI. TENSION			
B61P-18-180B	1				

0521 NA35MM-152*30

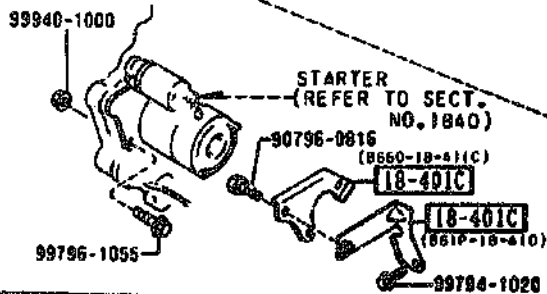
1800 ENGINE ELECTRICAL SYSTEM

1800 -2 H ENGINE ELECTRICAL SYSTEM

ALTERNATOR
(REFER TO SECT. NO. 1830)



STARTER
(REFER TO SECT.
NO. 1840)



PART NO.	QTY	MODEL/RESTRICTION	MODEL/RESTRICTION	MODEL/RESTRICTION	FROM-TO
18-190		CORD NO. 4, HI. TENSION			
B61P-18-190B	1				
18-265		CLIP, COUPLER			
B61R-18-266	1				-9A13
A (B61R-18-266A)					
B61R-18-266A	1				9A13-
18-361		STRAP, ALTERNATOR			
B61P-18-360	1				-9801
A (B61P-18-360A)					
B61P-18-360A	1				9B01-
18-363		SPACER, STRAP			
F201-18-363	1				
18-381		BELT 'V'			
B6S7-18-381A	1	AUTO-FLEX-3 A-34.7			-0308
A (B6S7-18-381B)					
B6S7-18-381B	1	AUTO-FLEX-3 A-34.7			0308-
18-401C		BRACKET, STARTER			
B61P-18-410	1				
5660-18-411C	1				

9A13 NA35MH-124217
9E01 NA35MH-126490
0308 NA35MH-142998

AUMAO1

CAT. AUMAO1-07

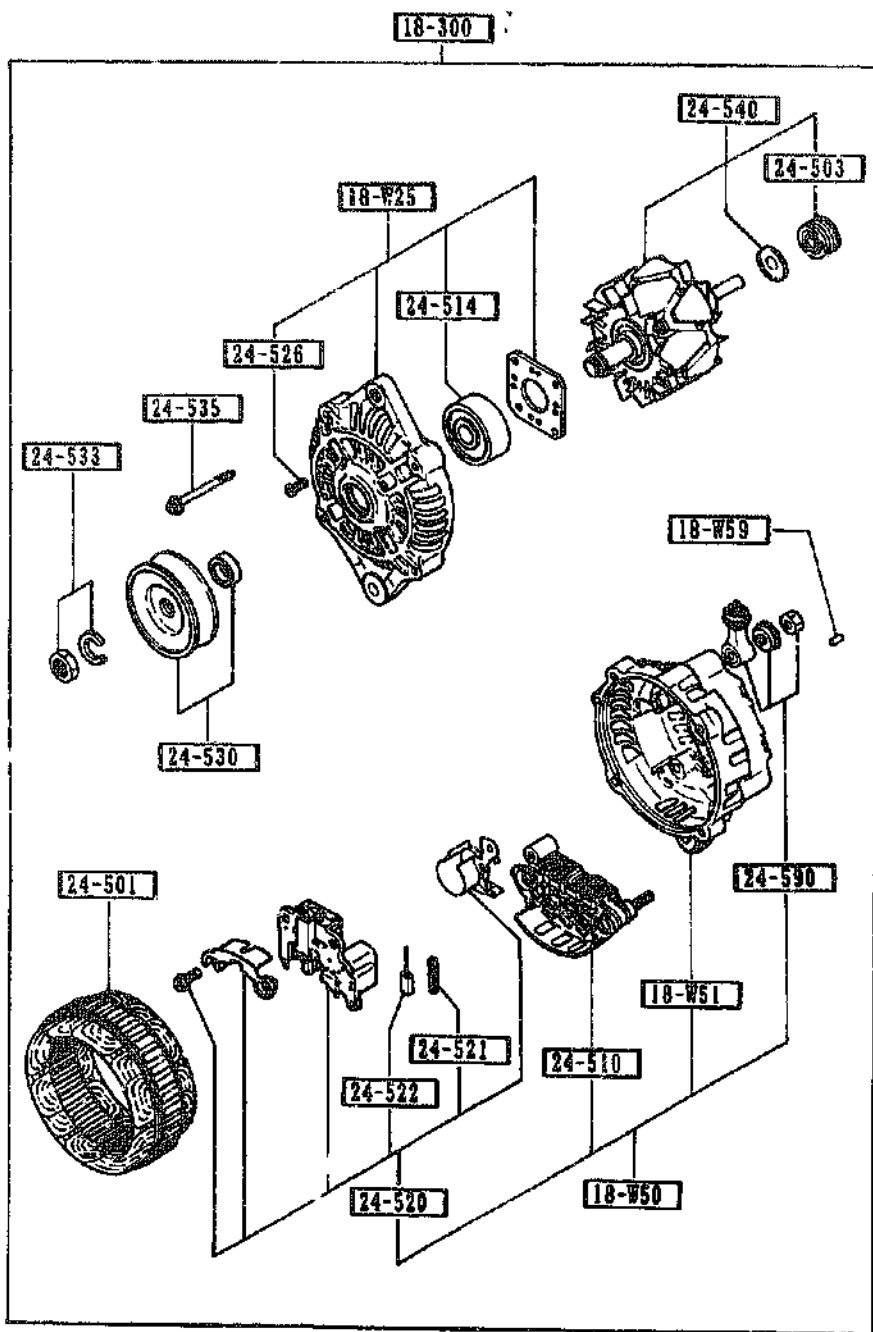
1992-02

SECTION NAME INDEX (ENGINE)

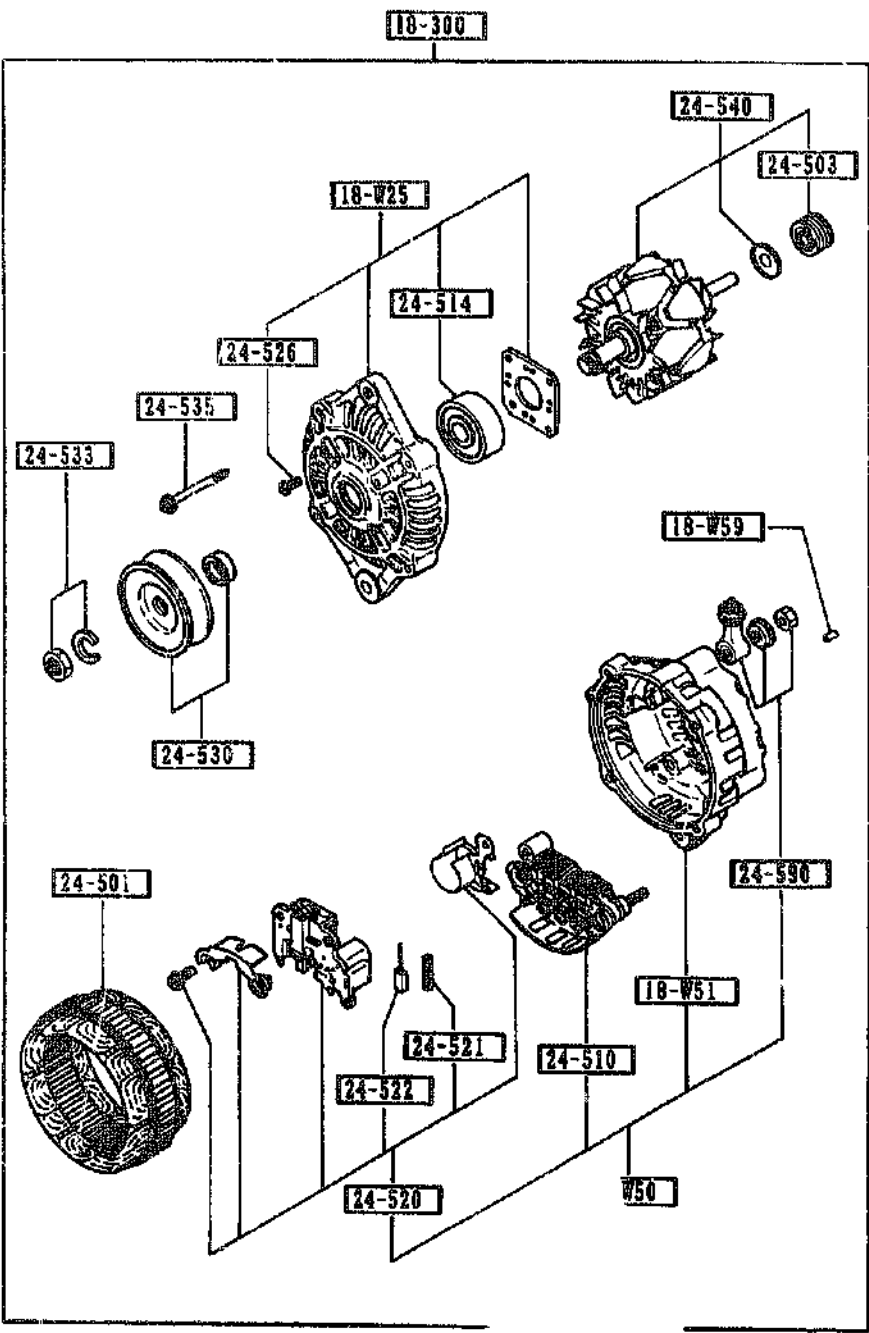
LO.NO	SEC.NO	SECTION NAME	LO.NO	SEC.NO	SECTION NAME	LO.NO	SEC.NO	SECTION NAME
1-C03	1000	SHORT ENGINE & GASKET SETS						
1-D03	1010	CYLINDER HEAD & COVER						
1-G03	1030	CYLINDER BLOCK						
1-I03	1040	OIL PAN & TIMING COVER						
1-K03	1100	PISTON, CRANKSHAFT & FLYWHEEL						
1-N03	1200	VALVE SYSTEM						
1-D04	1300	INLET MANIFOLD						
1-E04	1310	EXHAUST MANIFOLD						
1-F04	1320	FUEL SYSTEM						
1-H04	1325	FUEL DISTRIBUTOR						
1-I04	1330	AIR CLEANER						
1-K04	1364	THROTTLE BODY						
1-L04	1370	EMISSION CONTROL SYSTEM (INLET SIDE)						
1-M04	1399	CAP & HOSE CLIP (INLET & EXHAUST SIDE)						
1-N04	1400	OIL PUMP & FILTER						
1-C05	1500	COOLING SYSTEM						
1-G05	1580	BRACKET, PULLEY & BELT						
1-C06	1600	CLUTCH DISC & COVER (MANUAL)						
1-D06	1700	TRANSMISSION CASE (MANUAL)						
1-E06	1710	TRANSMISSION GEARS (MANUAL)						
1-J06	1720	CHANGE CONTROL SYSTEM (MANUAL)						
1-M06	1800	ENGINE ELECTRICAL SYSTEM						
1-C07	1830	ALTERNATOR						
1-E07	1840	STARTER						
1-G07	1850	BATTERY						
1-H07	1910	TORQUE CONVERTER, OIL PUMP & PIPINGS (AUTOMATIC)						
1-K07	1920	TRANSMISSION CASE & MAIN CONTROL SYSTEM (AUTOMATIC)						
1-E08	1925	CONTROL VALVE (AUTOMATIC)						
1-I08	1930	CLUTCHES & PLANETARY GEARS (AUTOMATIC)						
1-D09	1940	GOVERNOR, LOW, & REVERSE PISTON (AUTOMATIC)						
1-G09	1950	MANUAL LINKAGE SYSTEM (AUTOMATIC)						
1-I09	1960	GASKET & SEAL KIT (AUTOMATIC)						

CATLOG-NO= AUNA01-07

DATE. 1992-02



PART NO.	QTY	MODEL/RESTRICTION	MODEL/RESTRICTION	MODEL/RESTRICTION	FROM TO
18-W25		COVER, FRONT-ALTERNATOR			
B61P-18-W25	1				
18-W50		COVER, REAR-ALTERNATOR			
B61P-18-W50	1 (MT)				
B64J-18-W50	1 (AT)				
18-W51		COVER, REAR-ALTERNATOR			
B366-18-W51	1				
18-W59		PLUG			
B675-18-W59	1				
18-300		ALTERNATOR			
B61P-18-300D	1 (MT)				
B64J-18-300A	1 (AT)				
24-501		STATOR			
B366-18-W45	1 (AT)				
G608-18-W45	1 (MT)				
24-503		BEARING, BALL-ALT. REAR			
N336-18-W36	1				
24-510		RECTIFIER			
B366-18-W60	1 (AT)				
B61P-18-W60	1 (MT)				
24-514		BEARING, BALL-ALT. FRONT			
F811-18-W27	1				
24-520		REGULATOR			
B61P-18-W79	1				
24-521		SPRING, BRUSH			
8599-24-521	2				
24-522		BRUSH			
FE2H-18-W77	2				



PART NO.	QTY	MODEL/RESTRICTION	MODEL/RESTRICTION	MODEL/RESTRICTION	FROM-TO
24-526		SCREW SET			
RF71-18-W26	1				
24-530		PULLEY			
B366-18-W10	1				
24-533		NUT SET			
8028-24-533	1				
24-535		SCREW SET			
RF71-18-W20	1				
24-540		ROTOR			
B61P-18-W35	1 (MT)				
B366-18-W35 A (B366-18-W35A)	1				-0601
B366-18-W35A	1 (AT)				0601-
24-590		TERMINAL SET			
M337-18-W80	1				

0601 NASSMH-134752

19-
19-

(BU
(BU
(084

(REFI

NO
FIG D-
FIGURE

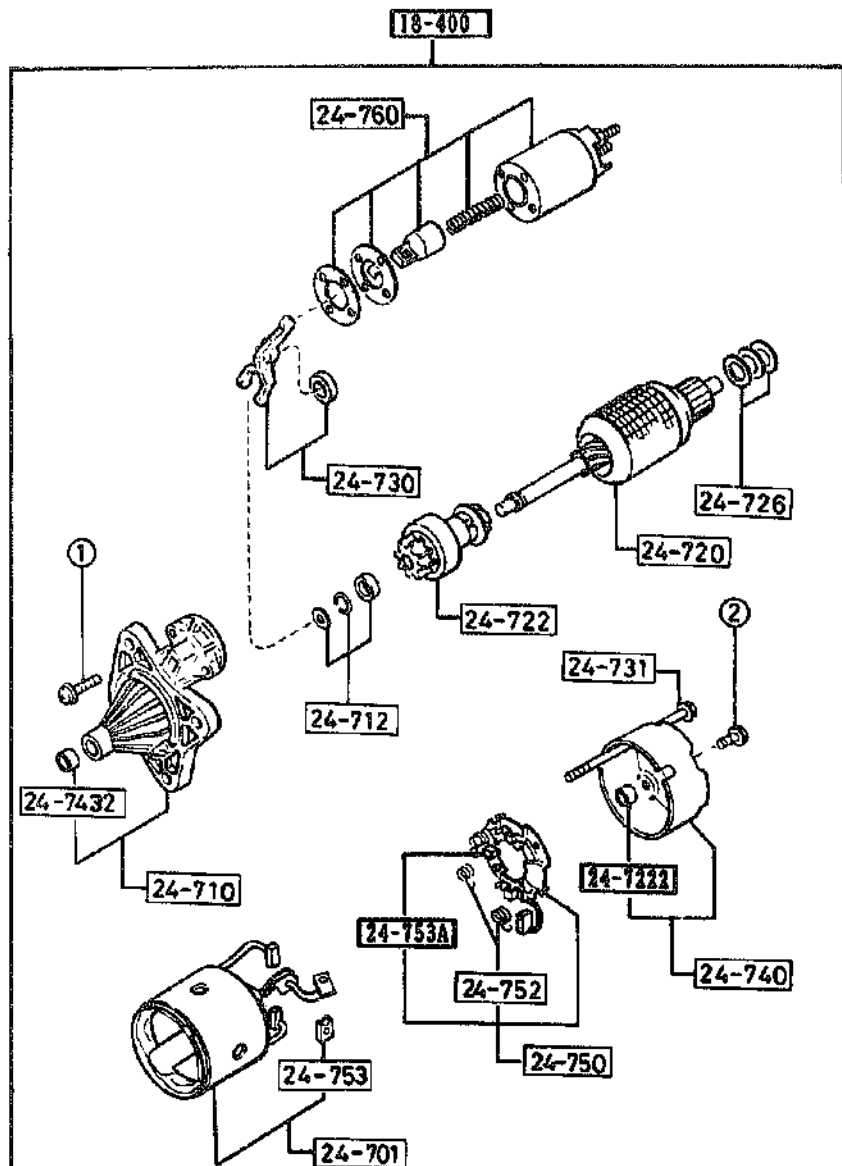
AUNA01

AUNA01

CAT. AUNA01-07

1992-02

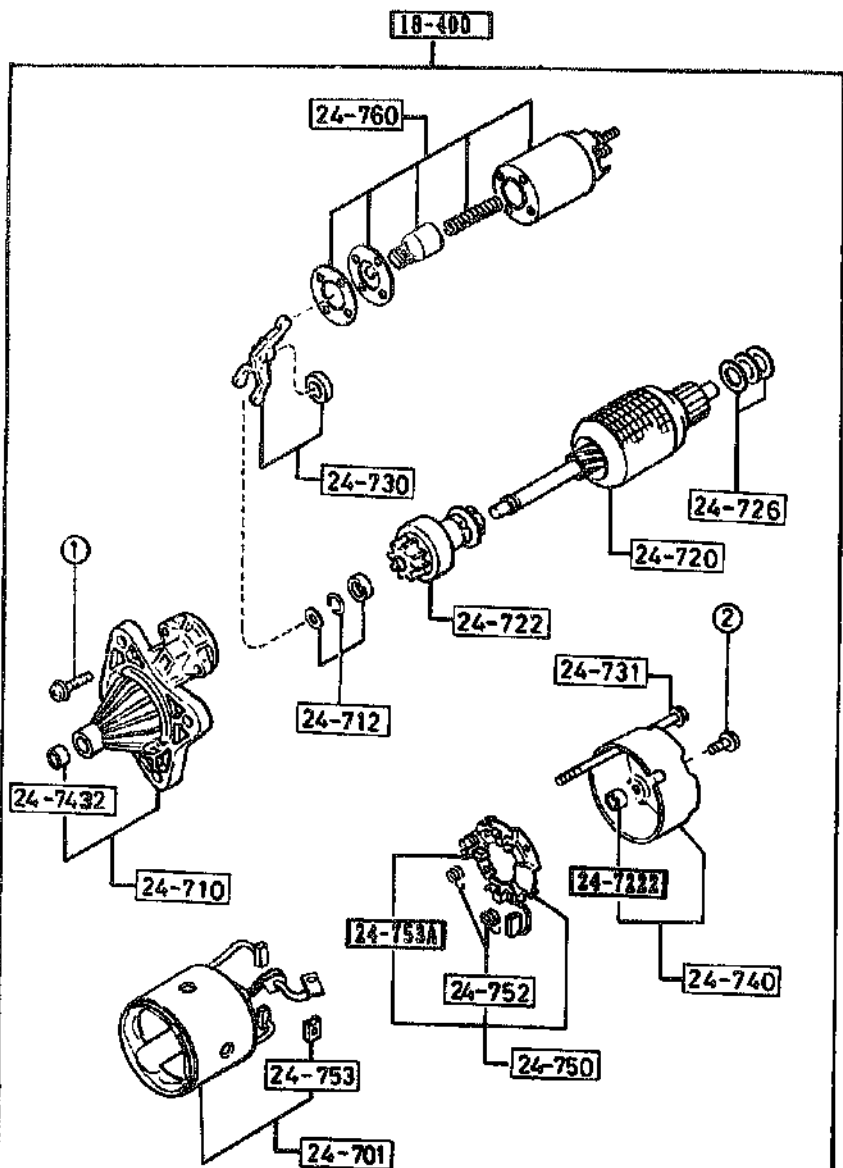
1-D-7



NOTE
 ① ... ② ⇨ 24-725
 THE D-CODE OF 24-725 CONSISTS OF
 FIGURE NUMBERS ① THROUGH ②.

PART NO.	QTY	MODEL/RESTRICTION	MODEL/RESTRICTION	MODEL/RESTRICTION	FROM-TO
18-400		STARTER			
961R-18-400 A (861R-18-400A)	1	ASBESTOS			-9821
861R-18-400A	1	NON ASBESTOS			9821-
24-701		YOKE			
861R-18-X65	1				
24-710		BRACKET, FRONT			
861R-18-X00	1				
24-712		STOPPER SET			
E356-18-X30	1				
24-720		ARMATURE			
F210-18-X60	1	ASBESTOS			-9821
865B-18-X60	1	NON ASBESTOS			9821-
24-722		CLUTCH, OVER RUNNING			
8630-18-X45	1				
24-7222		SLEEVE, BEARING-REAR			
E356-18-X81	1				
24-725		SCREW SET			
E356-18-X95	1				
24-726		WASHER SET			
E356-18-X92	1				
24-730		LEVER			
E356-18-X05	1				
24-731		BOLT SET			
8630-18-X90	2				
24-740		BRACKET, REAR			
E356-18-X60	1				

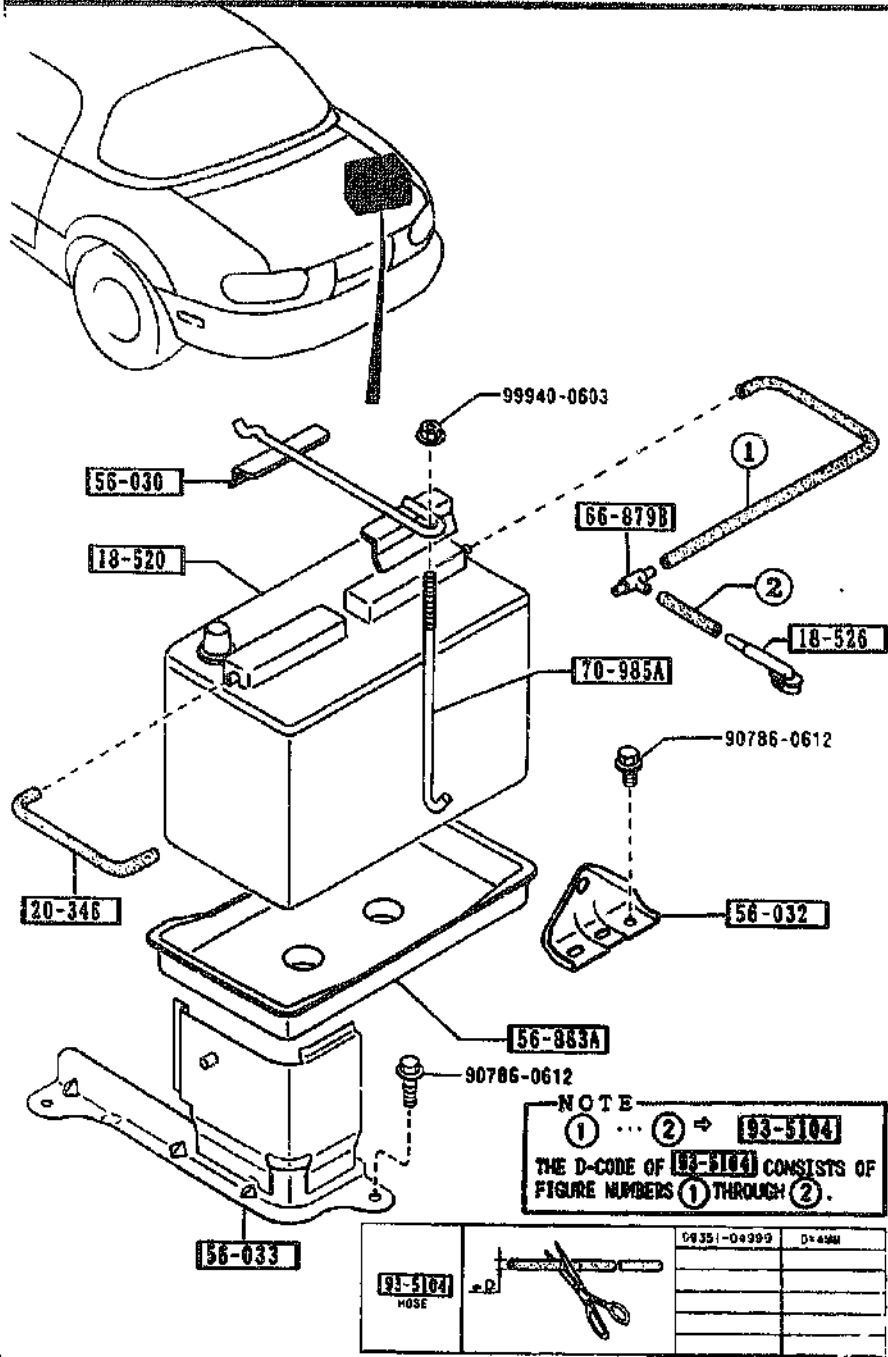
9821 NA35MM-129010



NOTE
 ① ... ② → 24-725
 THE D-CODE OF 24-725 CONSISTS OF
 FIGURE NUMBERS ① THROUGH ②.

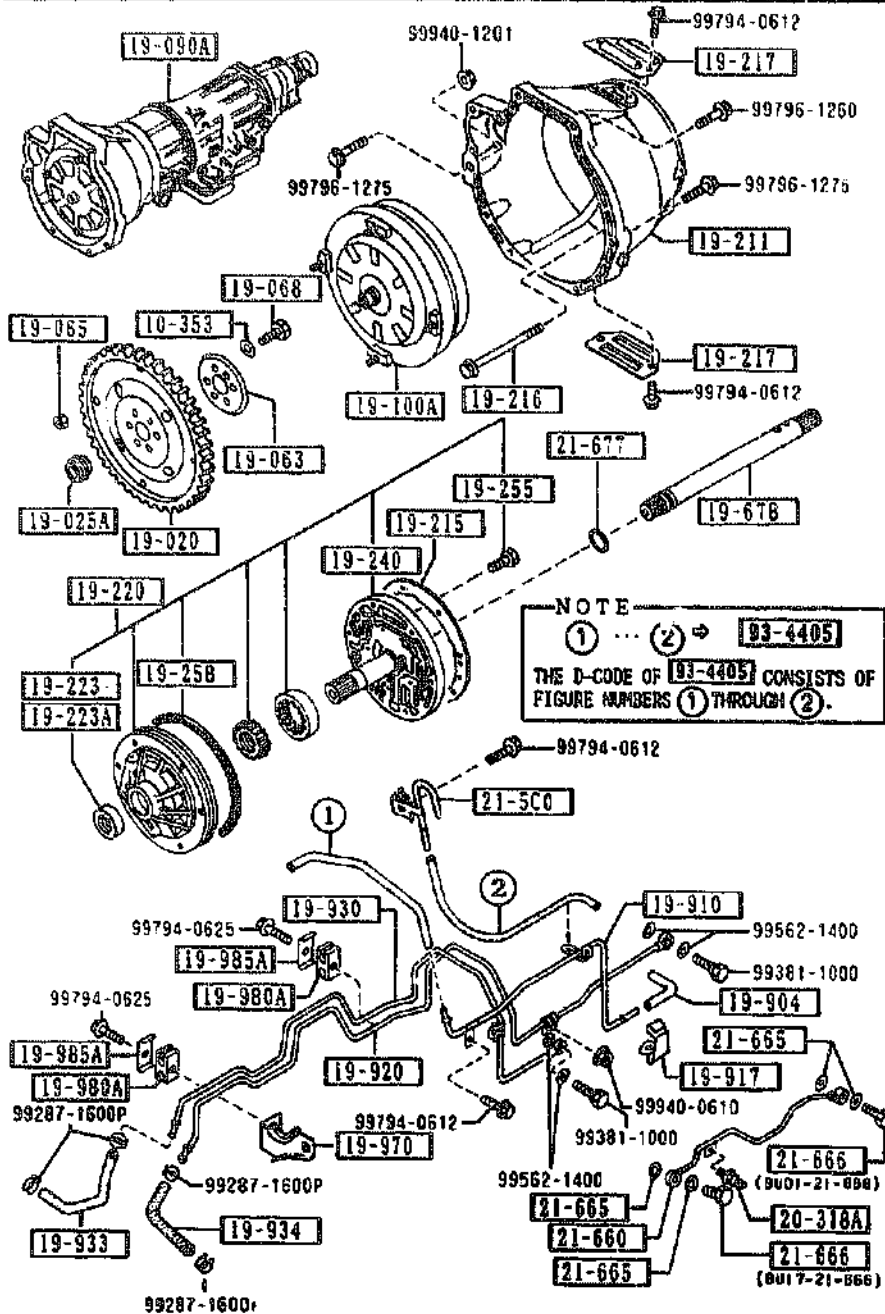
PART NO.	QTY	MODEL/RESTRICTION	MODEL/RESTRICTION	MODEL/RESTRICTION	FROM ID
24-7432		SLEEVE, BEARING-FRONT			
F210-18-X01	1				
24-750		HOLDER, BRUSH			
B61R-18-X70	1				
24-752		SPRING, BRUSH			
0222-24-752A	4				
24-753		BRUSH, YOKE			
B630-18-X66	2				
24-753A		BRUSH			
B660-18-X66	2				
24-760		SWITCH			
E356-18-X10	1				

1850 BATTERY



PART NO.	QTY	MODEL/RESTRICTION	MODEL/RESTRICTION	MODEL/RESTRICTION	FROM-TO
18-520		BATTERY			
B61R-18-920A AN(B61R-18-520B)	1	S46A24L(S) PANASONIC			-0201
B61R-18-520B	1	S46A24L(S) PANASONIC			0201-
18-526		CONNECTOR, TUBE-BATTERY			
B61P-18-526	1				
20-346		TUBE, VACUUM			
FE4J-20-346	1				-9901
B61P-18-524	1				9901-
56-030		CLAMP, BATTERY			
MA01-56-03XA	1				
56-032		BRACKET, BATTERY CLAMP			
MA01-56-032A	1	(W/STD. BATTERY)			
56-033		BRACKET, STOPPER-BATTERY			
MA01-56-033A	1	(W/STD. BATTERY)			
56-863A		TRAY, BATTERY			
8095-56-032	1				
66-879B		JOINT			
0813-66-879	1				
70-985A		BOLT, CLAMP			
0259-54-292A	1				
93-5104		HOSE			
99351-04999	1				
		9901 MASSNH-119257			
		0201 MASSNH-137160			

1910 TORQUE CONVERTER, OIL PUMP & PIPINGS (AUTOMATIC)



1910 -3 TORQUE CONVERTER, OIL PUMP & PIPINGS (AUTOMATIC)

PART NO.	QTY	MODEL/RESTRICTION	MODEL/RESTRICTION	MODEL/RESTRICTION	FROM TO
10-353		WASHER, PLAIN			
0290-10-353	6				
19-020		PLATE, DRIVE			
BU55-19-020	1				
19-025A		ADAPTER, DRIVE PLATE			
FU60-19-025	1				
19-063		PLATE, BACKING			
FT31-19-063	1				
19-065		NUT			
FU51-19-065	4				
19-068		BOLT, LOCK			
FT31-19-068	6				
19-090A		T/MISSION CPT.			
BUY2-19-090	1				
AN(BUY2-19-090A)					
BUY2-19-090A	1				
19-100A		CONVERTER, TORQUE			
BU55-19-100	1				
19-211		HOUSING, CONVERTER			
BU55-19-211	1				
19-215		GASKET, OIL PUMP			
BU01-19-215	1	ASBESTOS			
19-216		BOLT			
BU01-19-216	6				
19-217		COVER, BLIND			
BU55-19-217	2				
19-220		PUMP, OIL			
BU55-19-220	1				

0301 NA35NH-161901

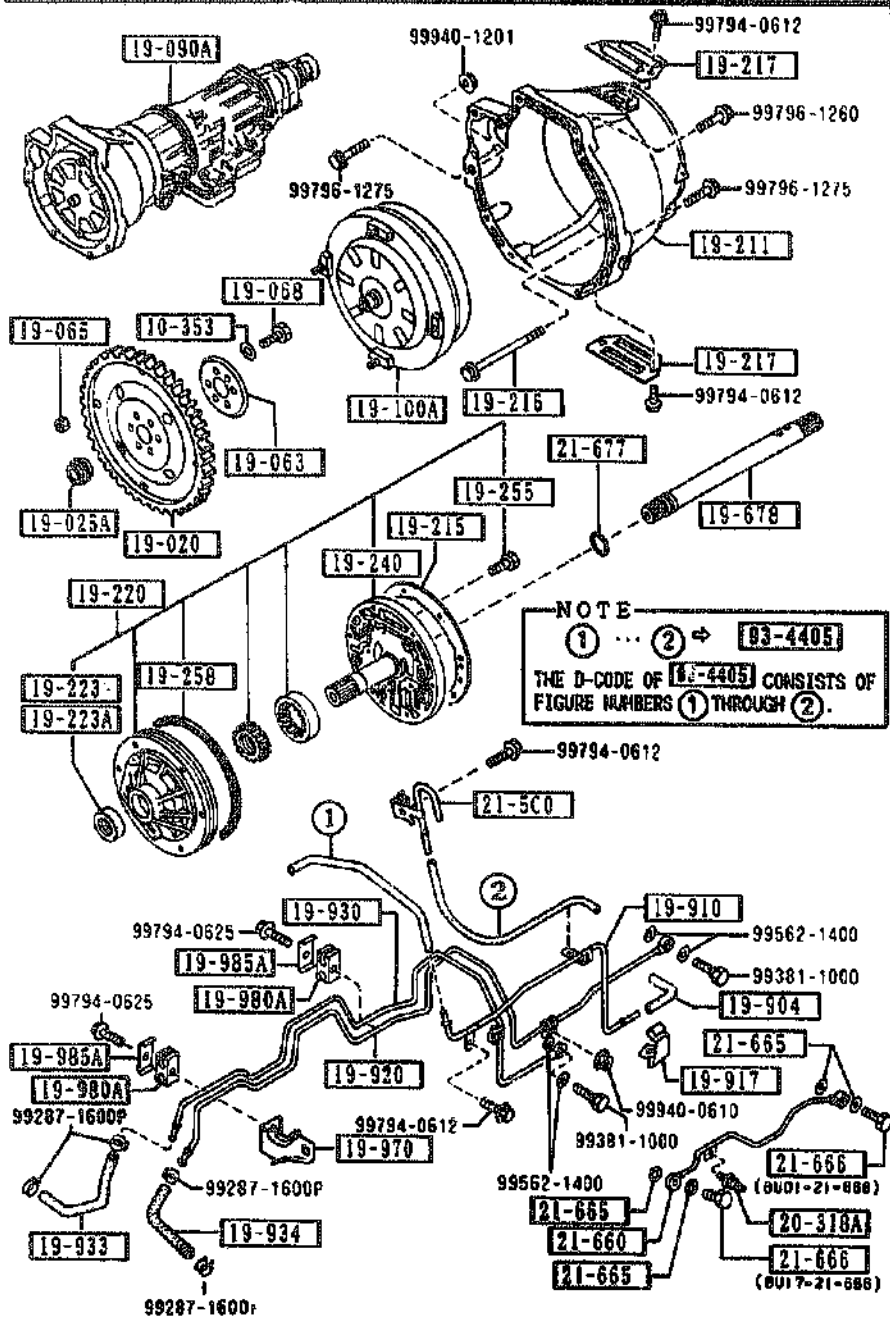
AUNAD1

CAT. AUNAD1-07

1992-02

1-H-7

1910 TORQUE CONVERTER, OIL PUMP & PIPINGS (AUTOMATIC)

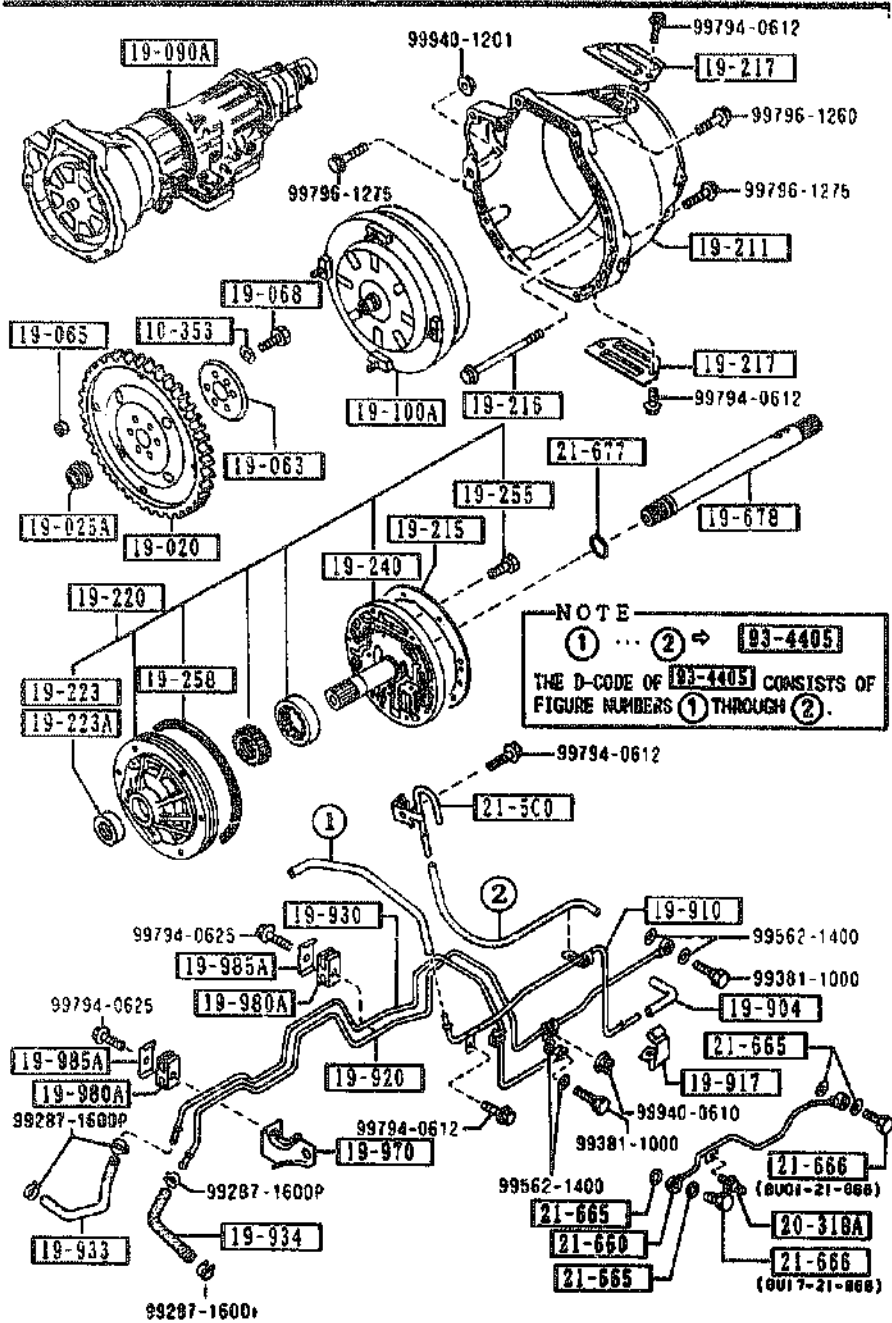


NOTE
 ① ... ② ⇄ 83-4405
 THE D-CODE OF 83-4405 CONSISTS OF
 FIGURE NUMBERS ① THROUGH ②.

PART NO.	QTY	MODEL/RESTRICTION	MODEL/RESTRICTION	MODEL/RESTRICTION	FROM-TO
19-223	1	SEAL, OIL			
BU55-19-223	1				
19-223A	1	SEAL, OIL			
0338-19-223A	1				
19-240	1	COVER, OIL PUMP			
BU55-19-240	1				
19-255	5	BOLT			
0338-19-255	5				
19-258	1	SEAL, CUT RING			
0338-19-258	1				
19-678	1	SHAFT, INPUT			
BU55-21-678	1				
19-904	1	HOSE, VACUUM			
0338-19-904A	1				
19-910	1	PIPE, VACUUM			
BU55-19-910A	1				
19-917	1	CLIP			
BU17-19-917	1				
19-920	1	PIPE, OIL			-0221
BU55-19-920B A (BU55-19-920C)	1				
BU55-19-920C	1				0221-
19-930	1	PIPE, OIL			
BU55-19-930B A (BU55-19-930C)	1				-0221
BU55-19-930C	1				0221-
19-933	1	HOSE, OIL			
BU55-19-933A	1				
19-934	1	HOSE, OIL			
BU55-19-934	1				
0221 NA35MM-140695					

1910 TORQUE CONVERTER, OIL PUMP & PIPINGS (AUTOMATIC)

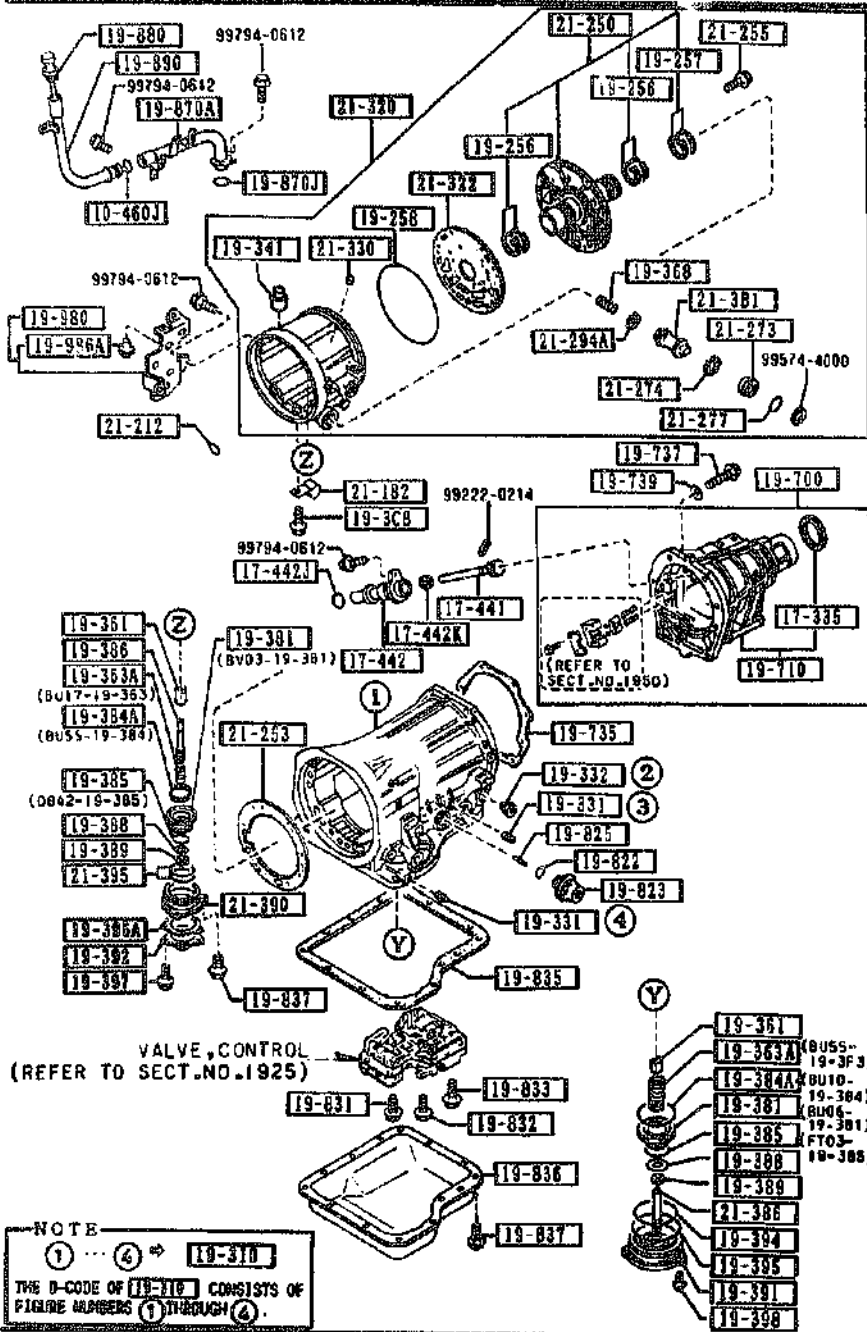
1910 -3 * TORQUE CONVERTER, OIL PUMP & PIPINGS (AUTOMATIC)



PART NO.	QTY	MODEL/RESTRICTION	MODEL/RESTRICTION	MODEL/RESTRICTION	FROM TO
CONT'D BU55-19-934A	1				
19-970		BRACKET			
BU55-19-970A	1				
19-980A		SUPPORT, OIL PIPE			
BU29-19-980	2				
19-985A		CLIP, OIL PIPE			
BU29-19-985	2				
20-318A		BOLT			
BU27-19-858	1				
21-5C0		BREATHER			
BU55-21-5C0A	1				
21-660		TUBE, GOVERNOR			
BU55-21-660	1				
21-665		WASHER, SEAL			
BU01-21-665	4				
21-666		BOLT, CONNECTOR			
BU01-21-666	1				
BU17-21-666	1				
21-677		RING, 'O'			
BU01-21-677	1				
93-4405		HOSE			
99344-05150	1				

1920 TRANSMISSION CASE & MAIN CONTROL SYSTEM (AUTOMATIC)

1920 -1 TRANSMISSION CASE & MAIN CONTROL SYSTEM (AUTOMATIC)



PART NO.	QTY	MODEL/RESTRICTION	MODEL/RESTRICTION	MODEL/RESTRICTION	FROM-TO
10-460J		RING, 'O'			
99541-01201	1				
17-335		SEAL, OIL			
M507-17-335	1				
17-441		GEAR, DRIVEN			
BU55-17-441	1				
17-442		SLEEVE, SPEEDOMETER			
BU55-17-442	1				
17-442J		RING, 'O'			
1011-17-443	1				
17-442K		SEAL, OIL			
99586-08166	1				
19-256		RING, SEAL			
BU01-19-256	6				
19-257		RING, SEAL			
BU01-19-257	2				
19-258		SEAL, CUT RING			
0338-19-258	1				
19-308		BOLT, BUFFLE PLATE			
BU55-19-308	1				
19-310		CASE, TRANSMISSION			
BU55-19-310A	1				
19-331		PLUG, SQUARE HEAD			
BV11-19-304	2				
19-332		CONNECTOR, STRAIGHT			
BU01-19-332A	1				
19-341		BOLT, ANCHOR END			
0338-19-341	1				

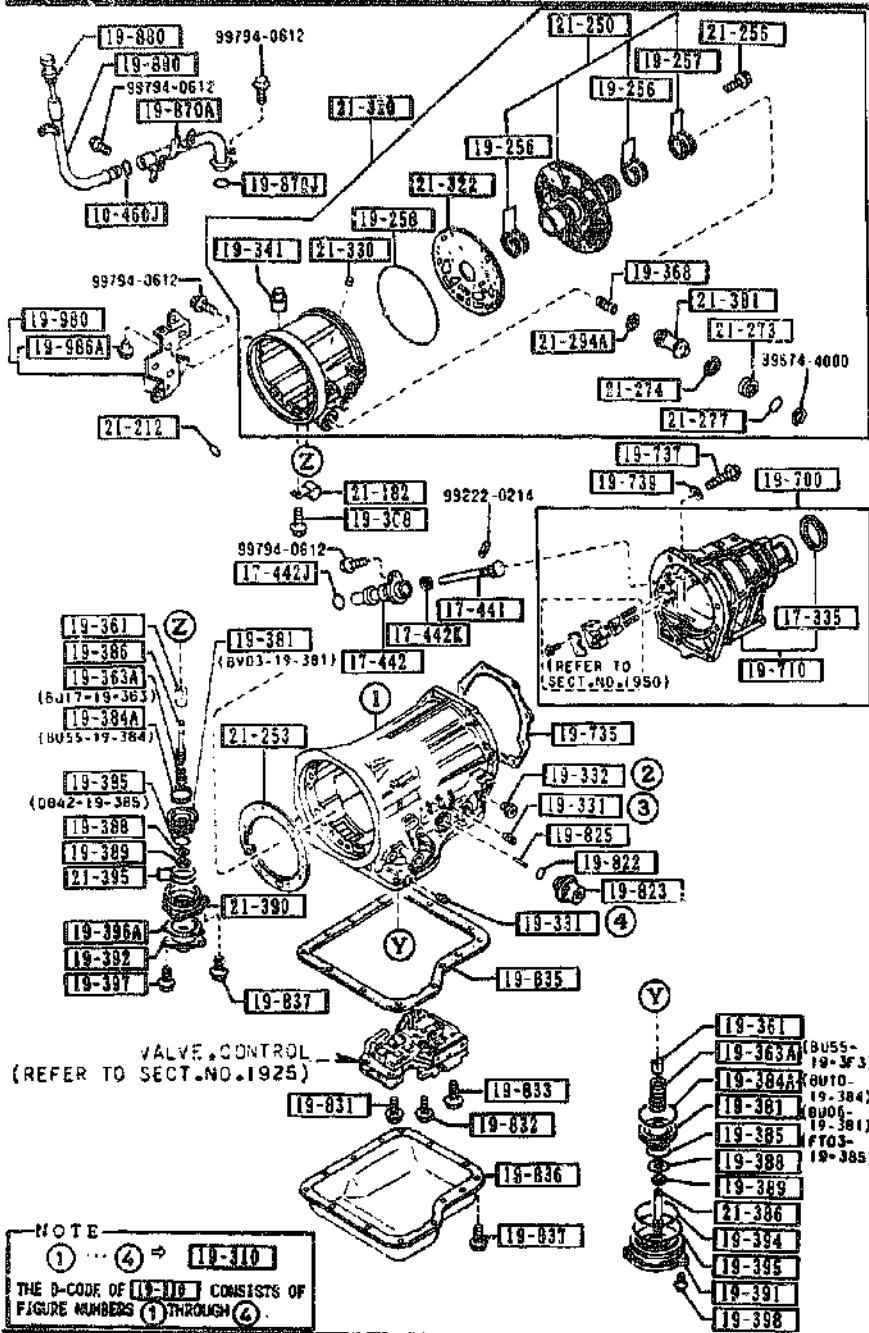
AUNA01

CAT. AUNA01-07

1992-02

1-K 7

1920 TRANSMISSION CASE & MAIN CONTROL SYSTEM (AUTOMATIC)

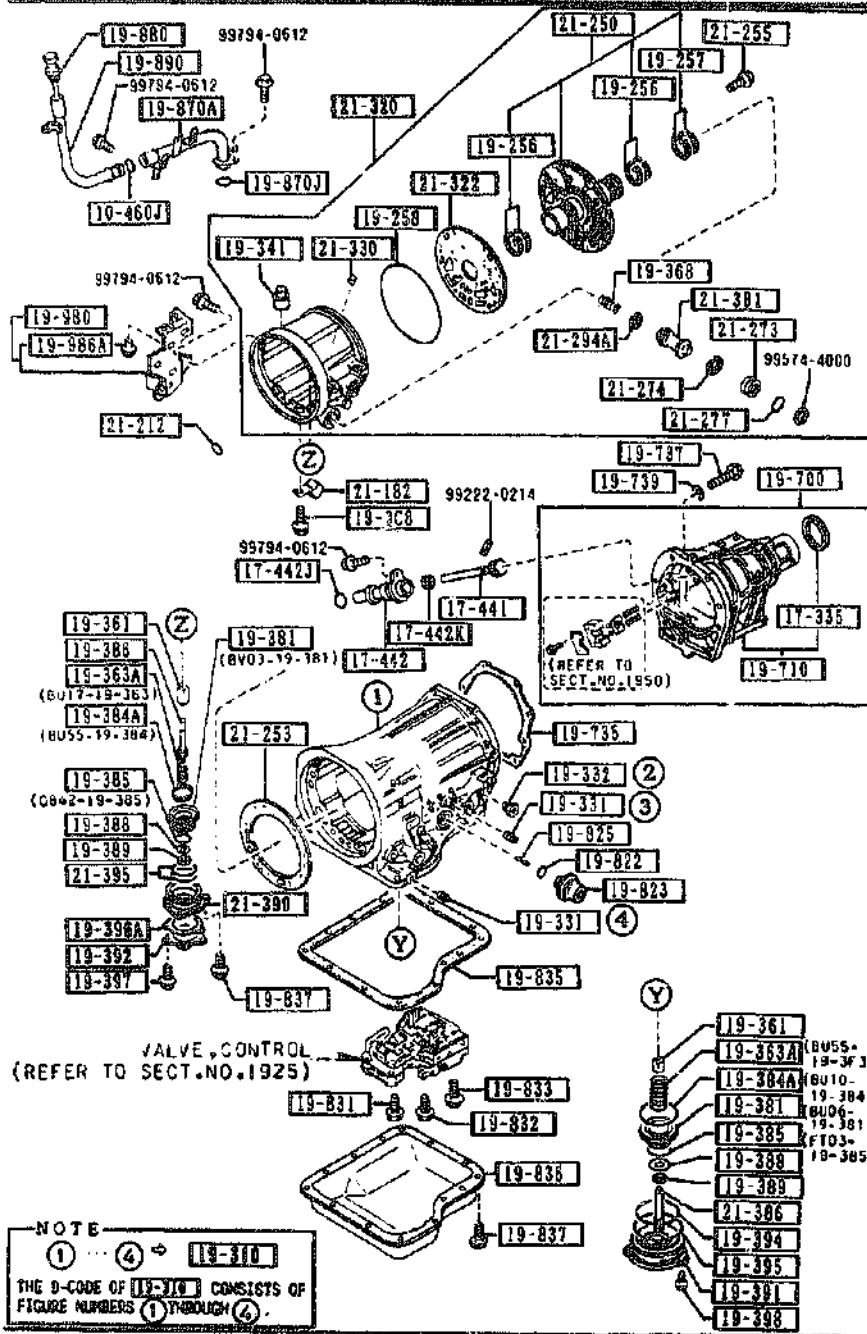


PART NO.	QTY	MODEL/RESTRICTION	MODEL/RESTRICTION	MODEL/RESTRICTION	FROM-TO
19-361		STRUT, BAND			
0338-19-361B	2				
19-363A		SPRING, PISTON RETURN			
BU55-19-3F3	1				
BU17-19-363	1				
19-368		SPRING, CUSHION-PISTN. STEM			
BU20-19-368	1				
19-361		PISTON, BAND SERVO			
BU06-19-361	1				
BU03-19-361	1				
19-384A		SEAL, PISTON			
BU10-19-384	1				
BU55-19-384	1				
19-385		SEAL, PISTON			
FT03-19-385	1	D=44MM			
0842-19-385	1	D=36MM			
19-386		STEM, PISTON			
0338-19-386A	1				
19-388		WASHER, PLAIN			
0338-19-388A	2				
19-389		NUT			
0338-19-389	2				
19-391		RETAINER, SERVO			
BU06-19-391	1				
19-392		COVER, SERVO			
1758-19-392A	1				
19-394		SEAL, LATHE CUT			
0842-19-394	1				

CAT. AUNA01-07

1992-02

1920 TRANSMISSION CASE & MAIN CONTROL SYSTEM (AUTOMATIC)



PART NO.	QTY	MODEL/RESTRICTION	MODEL/RESTRICTION	MODEL/RESTRICTION	FROM TO
19-395		RING, 'D'			
0338-19-395	2				
19-396A		GASKET			
1758-19-396A	1	ASBESTOS			
19-397		BOLT			
1758-19-397	3				
19-398		BOLT			
0338-19-398	3				
19-700		HOUSING, EXTENSION			
BUY2-19-700	1				
19-710		HOUSING, EXTENSION			
BU55-19-710	1				
19-735		GASKET, EXTENSION			
0338-19-735	1	ASBESTOS			
19-737		BOLT			
0338-19-737	8				
19-739		WASHER, PLAIN			
0338-19-739	8				
19-822		SEAL, 'O' RING			
0338-19-822	2				
19-823		DIAPHRAGM, VACUUM			
BU55-19-823	1				
19-825		ROD, DIAPHRAGM			
BU55-19-825	2	L=29.75MM			
0338-19-825	1	L=30MM			
0338-19-826	1	L=31MM			

NOTE
 1 2 3 4 19-310
 THE D-CODE OF 19-310 CONSISTS OF
 FIGURE NUMBERS 1 THROUGH 4.

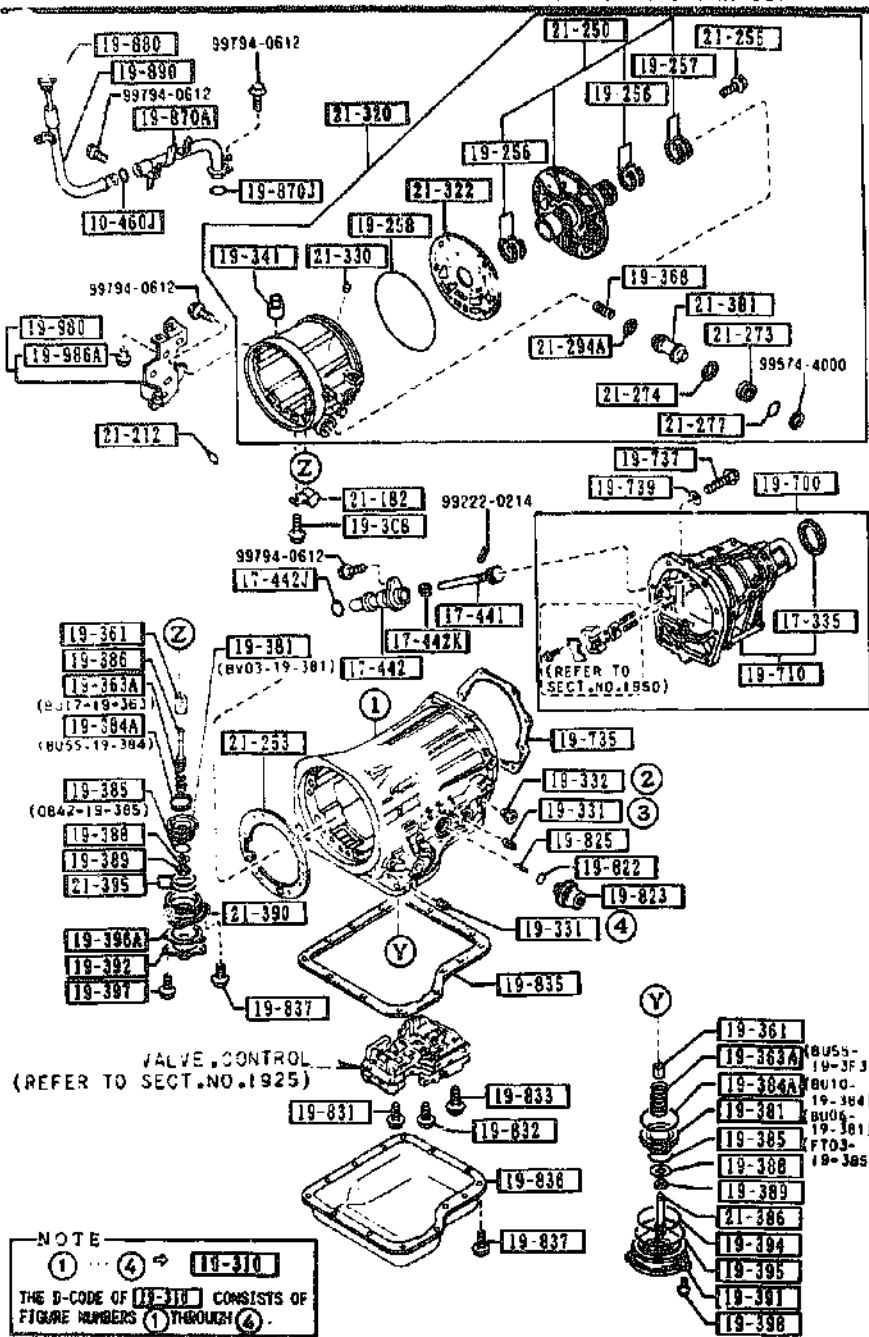
AUMA01

CAT. AUMA01-07

1992-02

1-M 7

1920 TRANSMISSION CASE & MAIN CONTROL SYSTEM (AUTOMATIC)



PART NO.	QTY	MODEL/RESTRICTION	MODEL/RESTRICTION	MODEL/RESTRICTION	FROM TO
CONT'D					
0338-19-827	1	L=30.5MM			
0338-19-828	1	L=29MM			
0338-19-829	1	L=29.5MM			
19-831		BOLT, CONTROL VALVE			
0338-19-831	2				
19-832		BOLT, CONTROL VALVE			
0338-19-832	2				
19-833		BOLT, CONTROL VALVE			
0338-19-833	3				
19-835		GASKET, OIL PAN			
0338-19-835B	1	ASBESTOS			
19-836		PAN, OIL			
0338-19-836A	1				
19-837		BOLT, OIL PAN			
0338-19-837	17				
19-870A		TUBE, FILLER			
BU55-19-870	1				
19-870J		RING, 'O'			
99541-01601	1				
19-880		GAUGE, OIL LEVEL			
BU17-19-880B	1				
19-890		TUBE, OIL FILTER-UPPER			
BU55-19-890	1				
19-980		BRACKET			
BU55-19-980A	1				
19-986A		BUSH, RUBBER			

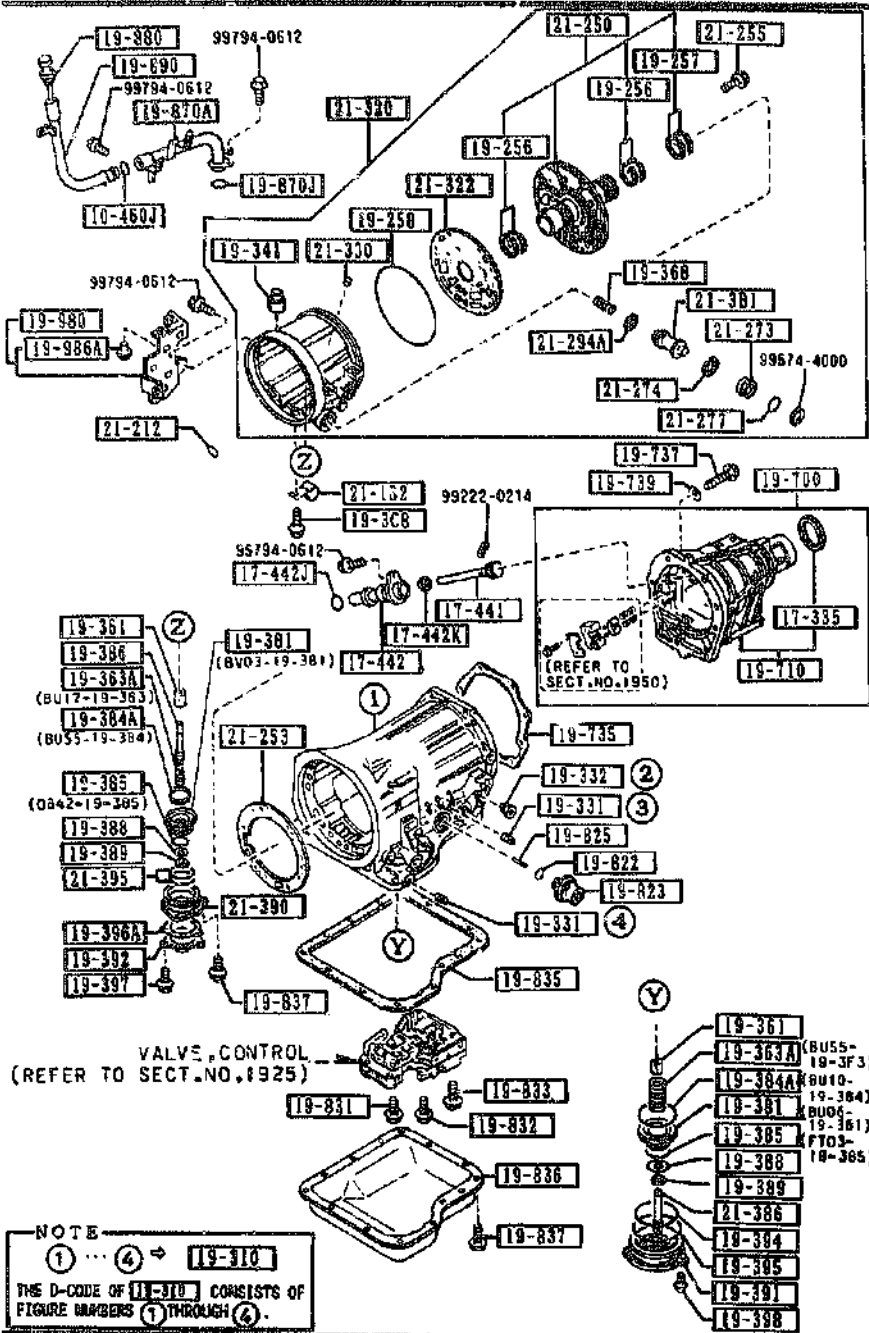
NOTE
 ① ... ④ → 19-310
 THE D-CODE OF 19-310 CONSISTS OF FIGURE NUMBERS ① THROUGH ④.

SECTION NAME INDEX (ENGINE)

LO.NO	SEC.NO	SECTION NAME	LO.NO	SEC.NO	SECTION NAME	LO.NO	SEC.NO	SECTION NAME
1-C03	1000	SHORT ENGINE & GASKET SETS						
1-D03	1010	CYLINDER HEAD & COVER						
1-G03	1030	CYLINDER BLOCK						
1-I03	1040	OIL PAN & TIMING COVER						
1-K03	1100	PISTON, CRANKSHAFT & FLYWHEEL						
1-M03	1200	VALVE SYSTEM						
1-D04	1300	INLET MANIFOLD						
1-E04	1310	EXHAUST MANIFOLD						
1-F04	1320	FUEL SYSTEM						
1-H04	1325	FUEL DISTRIBUTOR						
1-I04	1330	AIR CLEANER						
1-K04	1364	THROTTLE BODY						
1-L04	1370	EMISSION CONTROL SYSTEM (INLET SIDE)						
1-M04	1399	CAP & HOSE CLIP (INLET & EXHAUST SIDE)						
1-N04	1400	OIL PUMP & FILTER						
1-C05	1500	COOLING SYSTEM						
1-G05	1580	BRACKET, PULLEY & BELT						
1-C06	1600	CLUTCH DISC & COVER (MANUAL)						
1-D06	1700	TRANSMISSION CASE (MANUAL)						
1-E06	1710	TRANSMISSION GEARS (MANUAL)						
1-J06	1720	CHANGE CONTROL SYSTEM (MANUAL)						
1-M06	1800	ENGINE ELECTRICAL SYSTEM						
1-C07	1830	ALTERNATOR						
1-E07	1840	STARTER						
1-G07	1850	BATTERY						
1-H07	1910	TORQUE CONVERTER, OIL PUMP & PIPINGS (AUTOMATIC)						
1-K07	1920	TRANSMISSION CASE & MAIN CONTROL SYSTEM (AUTOMATIC)						
1-E08	1925	CONTROL VALVE (AUTOMATIC)						
1-I08	1930	CLUTCHES & PLANETARY GEARS (AUTOMATIC)						
1-D09	1940	GOVERNOR, LOW & REVERSE PISTON (AUTOMATIC)						
1-G09	1950	MANUAL LINKAGE SYSTEM (AUTOMATIC)						
1-I09	1960	GASKET & SEAL KIT (AUTOMATIC)						



1920 TRANSMISSION CASE & MAIN CONTROL SYSTEM (AUTOMATIC)



PART NO.	QTY	MODEL/RESTRICTION	MODEL/RESTRICTION	MODEL/RESTRICTION	FROM-TO
CONT'D					
6'01-19-980	1				
21-182		BRACKET			
BU55-21-182	1				
21-212		RING, 'D'			
BU01-21-212	2				
21-250		SUPPORT, DRUM			
BU55-21-250	1				
21-253		GASKET, DRUM SUPPORT			
BU01-21-253	1	ASBESTOS			
21-255		BOLT			
BU01-21-255	5				
21-273		PLUG, ACCUMULATOR			
BU01-21-273	1				
21-274		SEAL, 'O'RING			
BU01-21-274	1				
21-277		RING, 'O'			
BU01-21-277	1				
21-294A		RING, SEAL			
BU55-21-293	1				
21-381		PISTON, ACCUMULATOR			
BU55-21-381	1				
21-320		CASE, OVER DRIVE			
BU55-21-320	1				
21-322		GASKET, O/DRIVE CASE			
BU01-21-322	1				
21-330		VALVE, ONE WAY			
BU01-21-330	1				

NOTE
 1 ... 4 -> 19-310
 THE D-CODE OF 19-310 CONSISTS OF
 FIGURE NUMBERS 1 THROUGH 4.

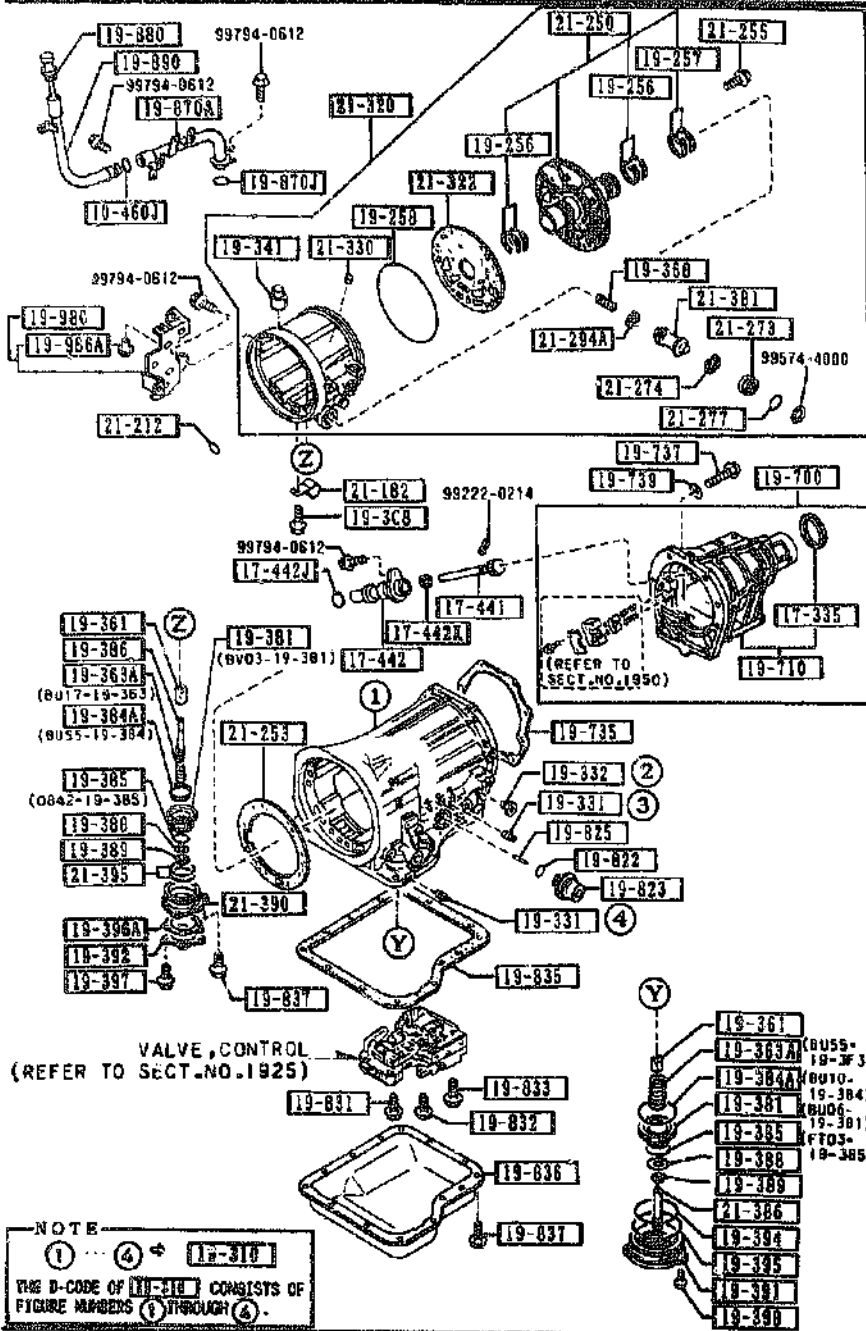
AU#A01

CAT. AUN#01-07

1992-02

1920 TRANSMISSION CASE & MAIN CONTROL SYSTEM (AUTOMATIC)

1920 -6 # TRANSMISSION CASE & MAIN CONTROL SYSTEM (AUTOMATIC)



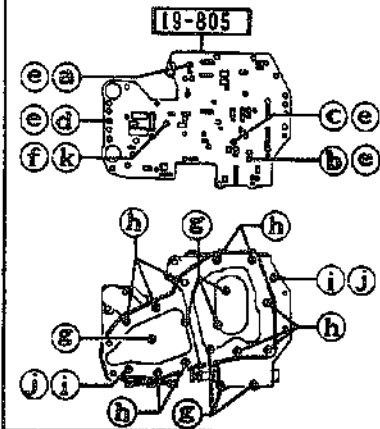
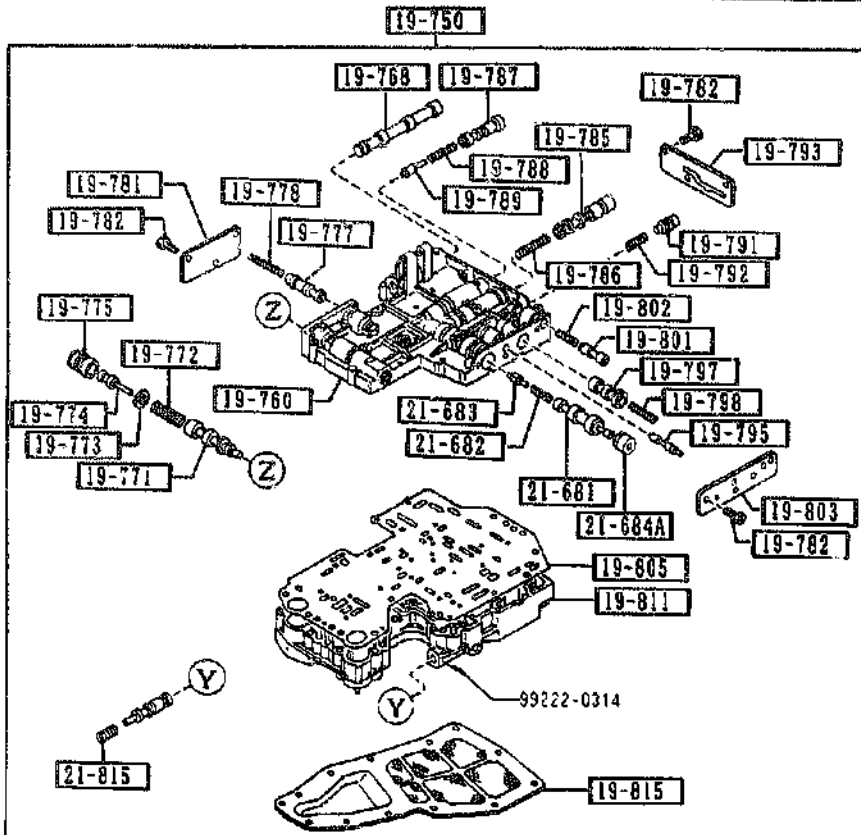
PART NO.	QTY	MODEL/RESTRICTION	MODEL/RESTRICTION	MODEL/RESTRICTION	FROM-TO
21-386		STEM, PISTON BAND			
BU01-21-386	1				
21-390		SERVO, OVER DRIVE			
BU20-21-390	1				
21-395		RING, 'D'			
BU01-21-395	2				

AJWA01

CAT. AJWA01-07

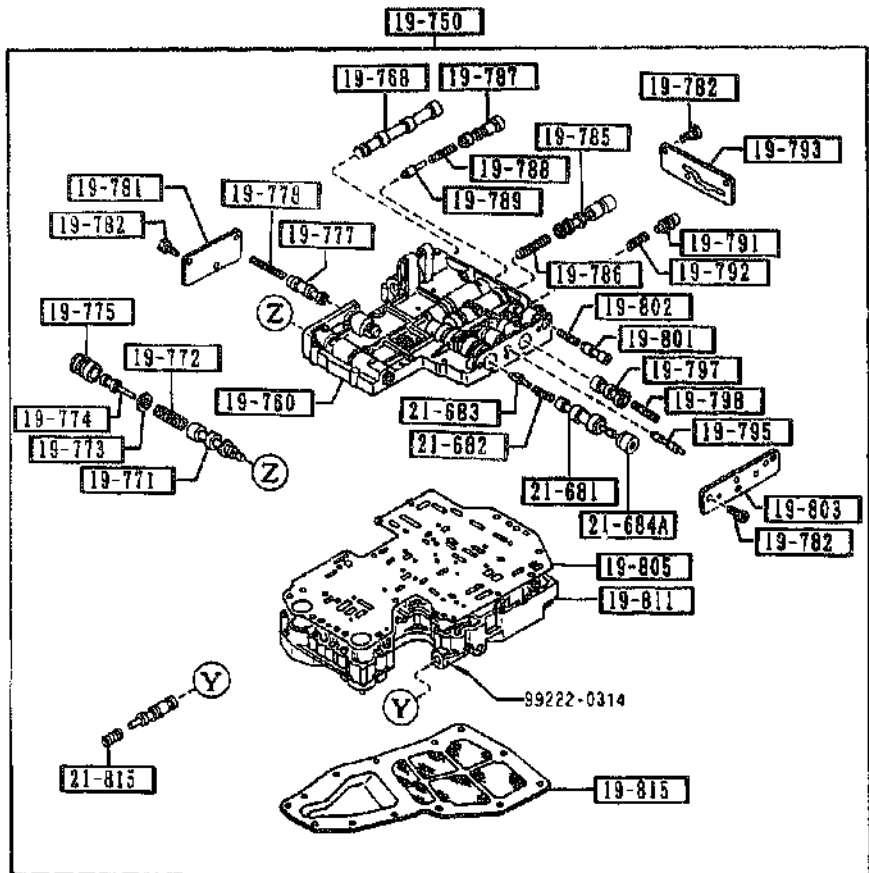
1992-02

1 D 8

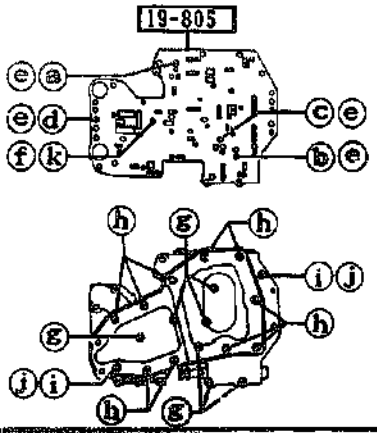


a		19-8A3	D=1.1MM
b		19-8B1	D=2.0MM
c		19-807	D=1.5MM (8001-19-807)
d		19-807	D=1.8MM (8017-19-807)
e		19-808	D=0.77MM, L=15.5MM
f		19-814	D=5.8MM, L=26.8MM
g		19-816	M5, L=25MM
h		19-817	M5, L=40MM
i		19-818	M6, L=57MM
j		19-819	
k		99611-2000	

PART NO.	QTY	MODEL/RESTRICTION	MODEL/RESTRICTION	MODEL/RESTRICTION	FRDM-TO
19-756		VALVE, CONTROL			
BU55-19-750	1				
19-760		BODY, CONTROL VALVE-U			
BU55-19-760	1				
19-768		VALVE, MANUAL			
0338-19-768	1				
19-771		VALVE, REGULATOR			
BU01-19-771	1				
19-772		SPRING, REGULATOR			
0338-19-772	1				
19-773		SEAT, REGULATOR SPRING			
0338-19-773	1				
19-774		PLUG, REGULATOR			
BU55-19-774	1				
19-775		SLEEVE, REGULATOR PLUG			
BU55-19-775	1				
19-777		VALVE, SECOND LOCK			
0338-19-777	1				
19-778		SPRING, SECOND LOCK			
0338-19-778	1				
19-781		PLATE, SIDE 'D'			
1758-19-781	1				
19-782		SCREW			
0338-19-782	9				
19-785		VALVE, 1-2 SHIFT			
BU55-19-785	1				
19-786		SPRING, 1-2 SHIFT			
BU55-19-786	1				

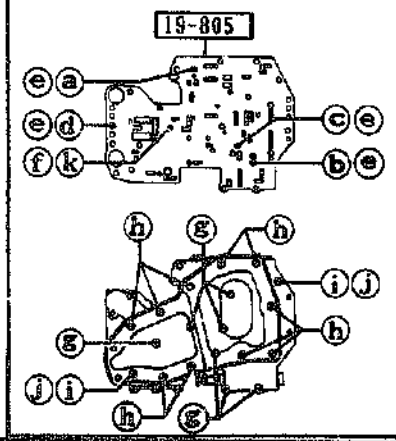
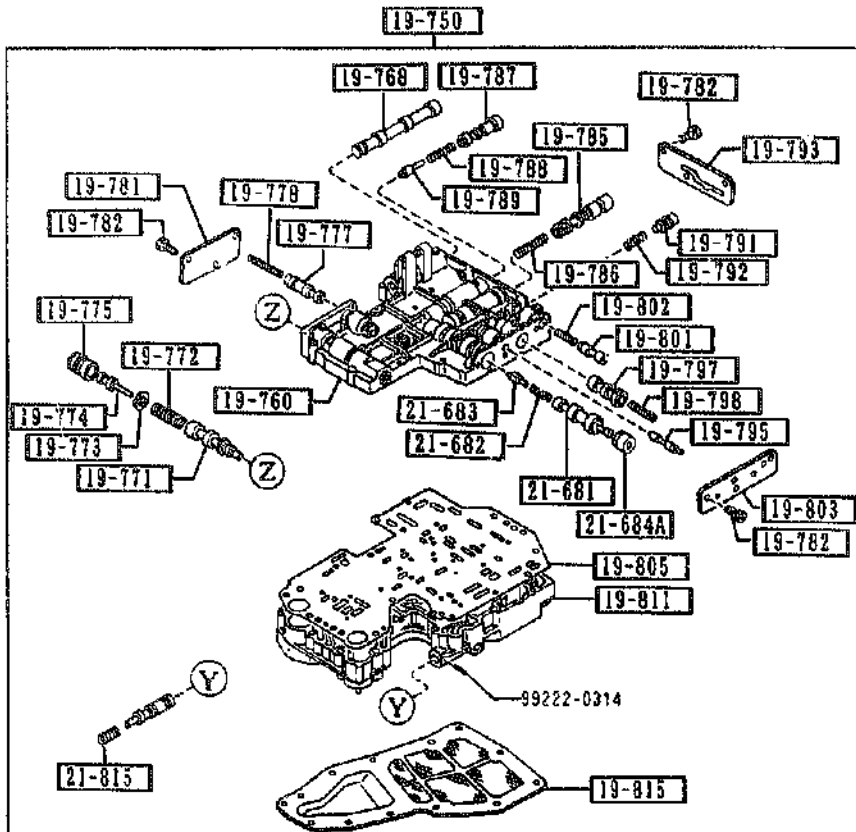


PART NO.	QTY	MODEL/RESTRICTION	MODEL/RESTRICTION	MODEL/RESTRICTION	FROM-TO
19-787		VALVE, 2-3 SHIFT			
BU55-19-787	1				
19-788		SPRING, 2-3 SHIFT			
FT21-19-788	1				
19-789		PLUG, 2-3 SHIFT			
FT33-19-789	1				
19-791		VALVE, MODIFIER			
FT27-19-791A	1				
19-792		SPRING, MODIFIER			
FT37-19-792	1				
19-795		PLATE, SIDE 'A'			
0338-19-793A	1				
19-795		VALVE, THROTTLE			
0338-19-795B	1				
19-797		VALVE, THROTTLE BACK-UP			
0338-19-797	1				
19-798		SPRING, THROTTLE BACK-UP			
0338-19-798	1				
19-8A3		VALVE, ORIFICE CHECK			
BV01-19-8A3	1				
19-8B1		VALVE, ORIFICE CHECK			
BV01-19-8B1	1				
19-801		VALVE, DOWN SHIFT			
0338-19-801	1				
19-802		SPRING, DOWN SHIFT			
0338-19-802	1				
19-803		PLATE, SIDE 'B'			
BU01-19-803A	1				



a		19-8A3	D=1.1MM
b		19-8B1	D=2.0MM
c		19-807	D=1.5MM (BU01-19-807)
d		19-807	D=1.8MM (BU17-19-807)
e		19-808	D=4.77MM, L=15.5MM
f		19-814	D=5.8MM, L=26.8MM
g		19-816	M5, L=25MM
h		19-817	M5, L=40MM
i		19-818	M6, L=57MM
j		19-819	
k		99611-2000	

1925 CONTROL VALVE (AUTOMATIC)



a	19-8A3	D=1.1MM
b	19-8B1	D=2.0MM
c	19-807	D=1.5MM (BU01-19-807)
d	19-807	D=1.8MM (BU17-19-807)
e	19-808	D=4.77MM, L=15.5MM
f	19-814	D=5.6MM, L=26.8MM
g	19-816	M5, L=25
h	19-817	M5, L=40
i	19-818	M6, L=57MM
j	19-819	
k	99811-2000	

PART NO.	QTY	MODEL/RESTRICTION	MODEL/RESTRICTION	MODEL/RESTRICTION	FROM-10
19-805		PLATE, SEPARATOR			
BU55-19-805	1				
19-807		VALVE, ORIFICE CHECK			
BU01-19-807	1				
BU17-19-807	1				
19-808		SPRING			
0338-19-808	4				
19-811		BODY, VALVE LWR			
BU10-19-811	1				
19-814		SPRING			
0338-19-814	1				
19-815		STRAINER, OIL			
BU01-19-815	1				
19-816		SCREW			
0338-19-816	7				
19-817		SCREW			
0338-19-817	10				
19-818		BOLT			
0338-19-818	2				
19-819		NUT			
0338-19-819	2				
21-681		VALVE, SHIFT 3-4			
BU35-21-681A	1				
21-682		SPRING, 3-4 SHIFT			
BU35-21-682	1				
21-683		PLUG, 3-4 SHIFT			
BU03-21-683A	1				

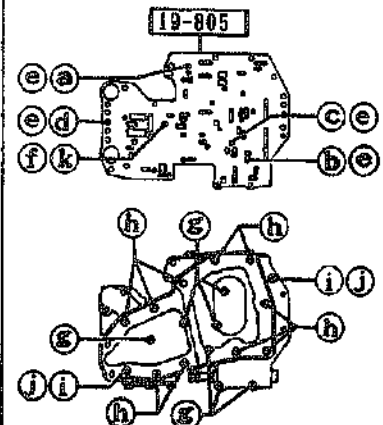
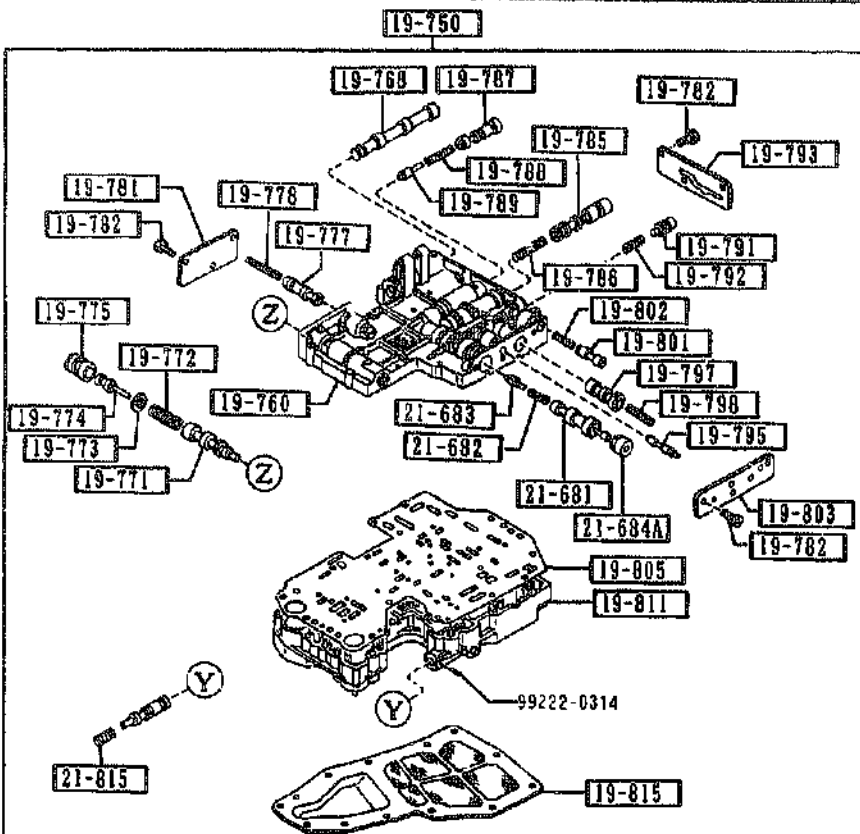
AUNAG1

CAT. AUNAG1-87

1992-02

1925 CONTROL VALVE (AUTOMATIC)

1925 -4 H CONTROL VALVE (AUTOMATIC)



a		19-803	D=1.1MM
b		19-801	D=2.0MM
c		19-807	D=1.5MM (BU01-19-807)
d		19-807	D=1.8MM (BU17-19-807)
e		19-808	D=4.77MM, L=15.5MM
f		19-814	D=5.6MM, L=26.8MM
g		19-816	M5, L=25MM
h		19-817	M5, L=40MM
i		19-818	M6, L=57MM
j		19-819	
k		99611-2000	

PART NO.	QTY	MODEL/RESTRICTION	MODEL/RESTRICTION	MODEL/RESTRICTION	FROM-TO
21-684A		SLEEVE, 3-4 SHIFT			
BU05-21-684	1				
21-815		SPRING, 3-2 TIMING			
BU17-21-815	1				

AUWAB1

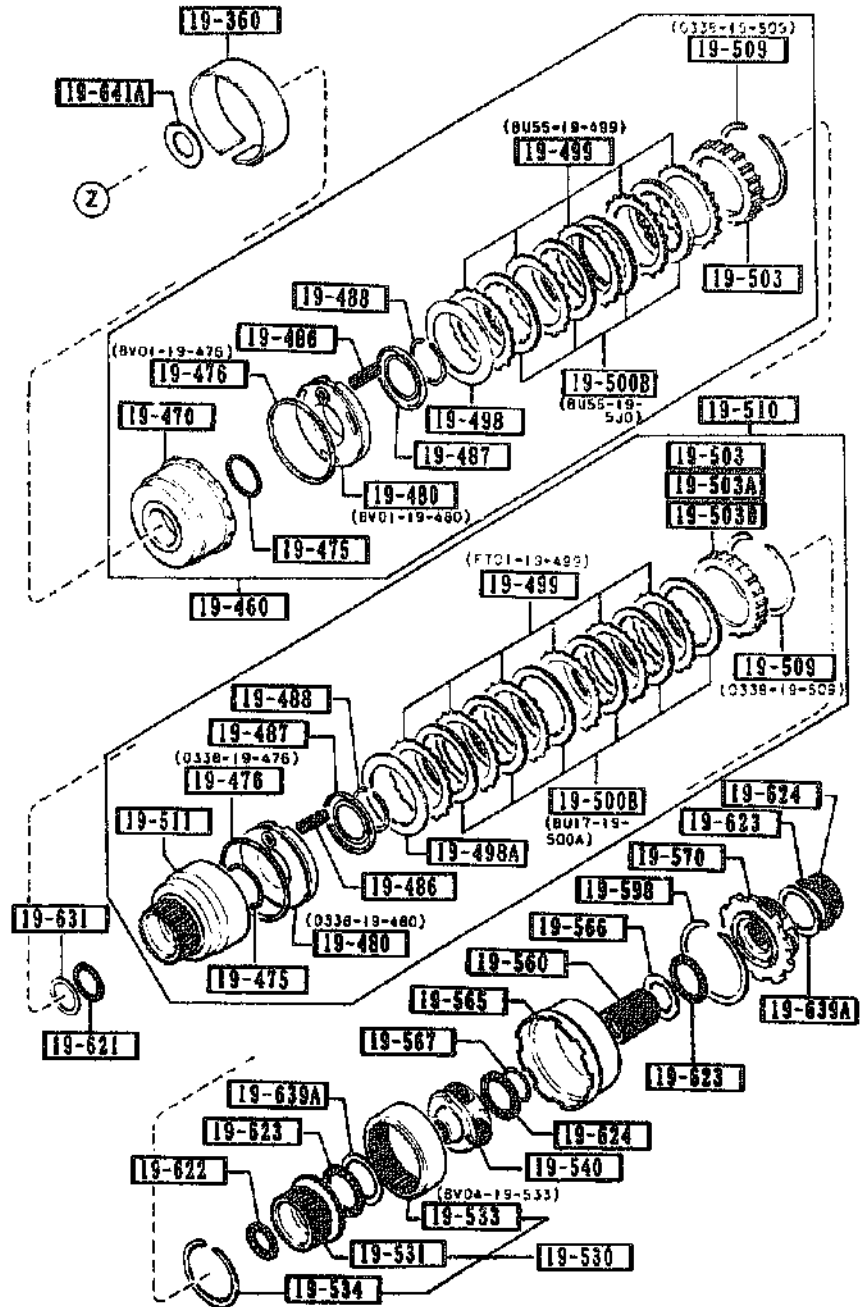
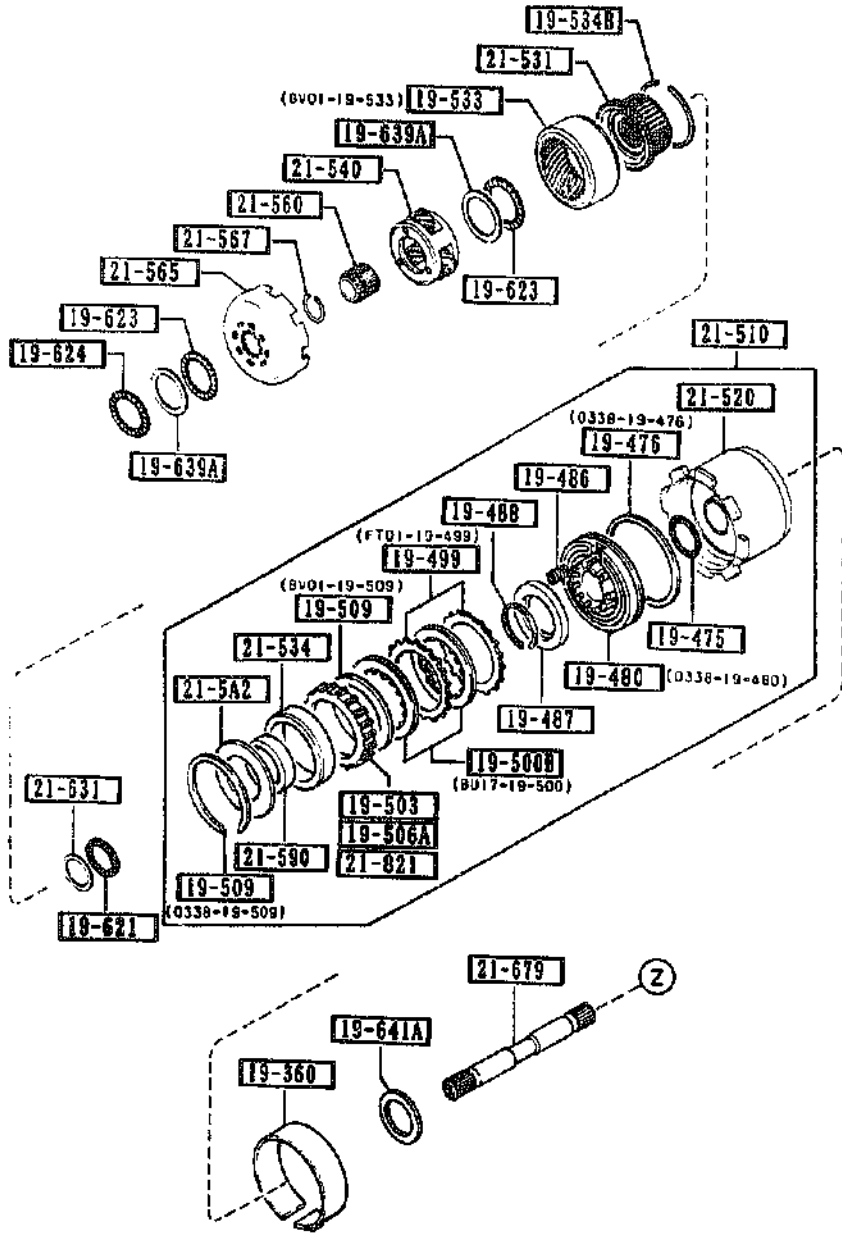
CAT. AUWAB1-07

1992-92

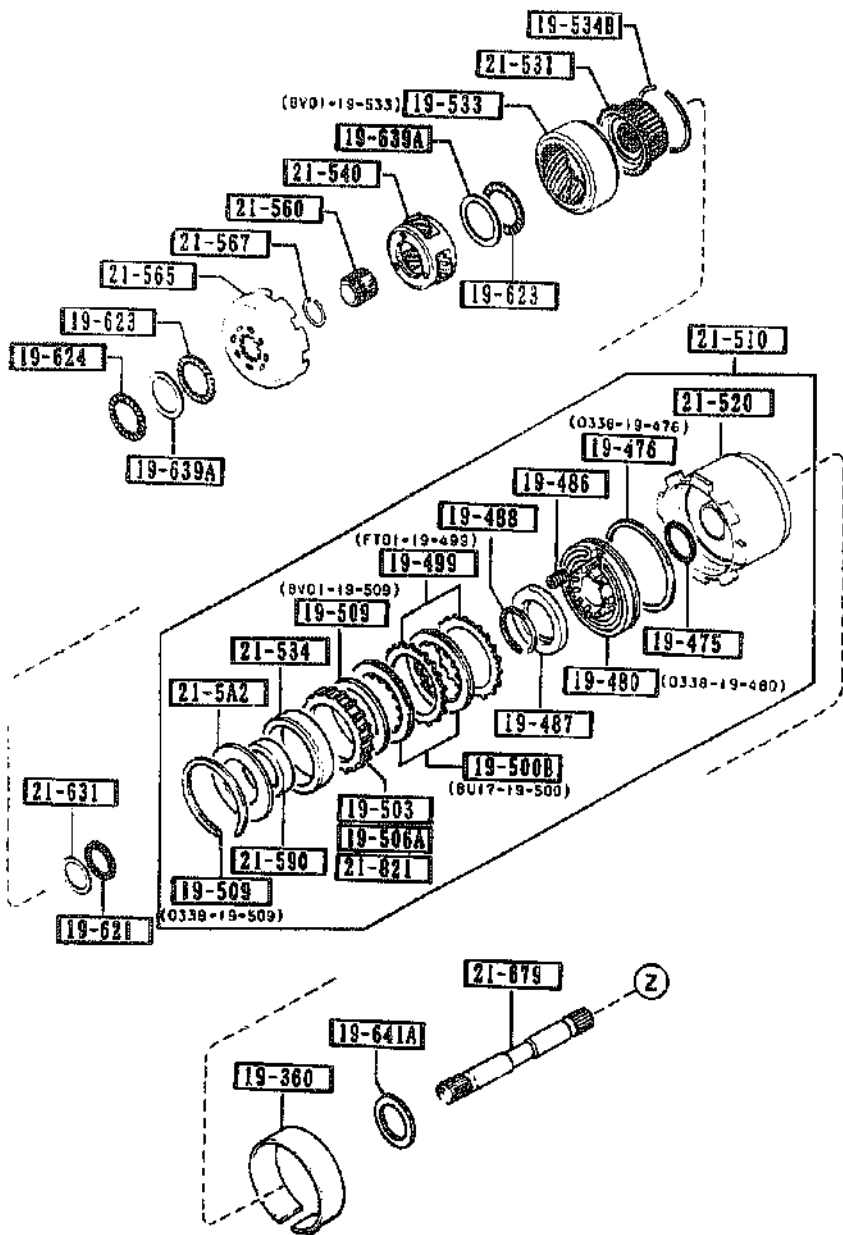
1 H 8

(THIS ILLUSTRATION CONSISTS OF 2 PAGES)

(THIS ILLUSTRATION CONSISTS OF 2 PAGES)

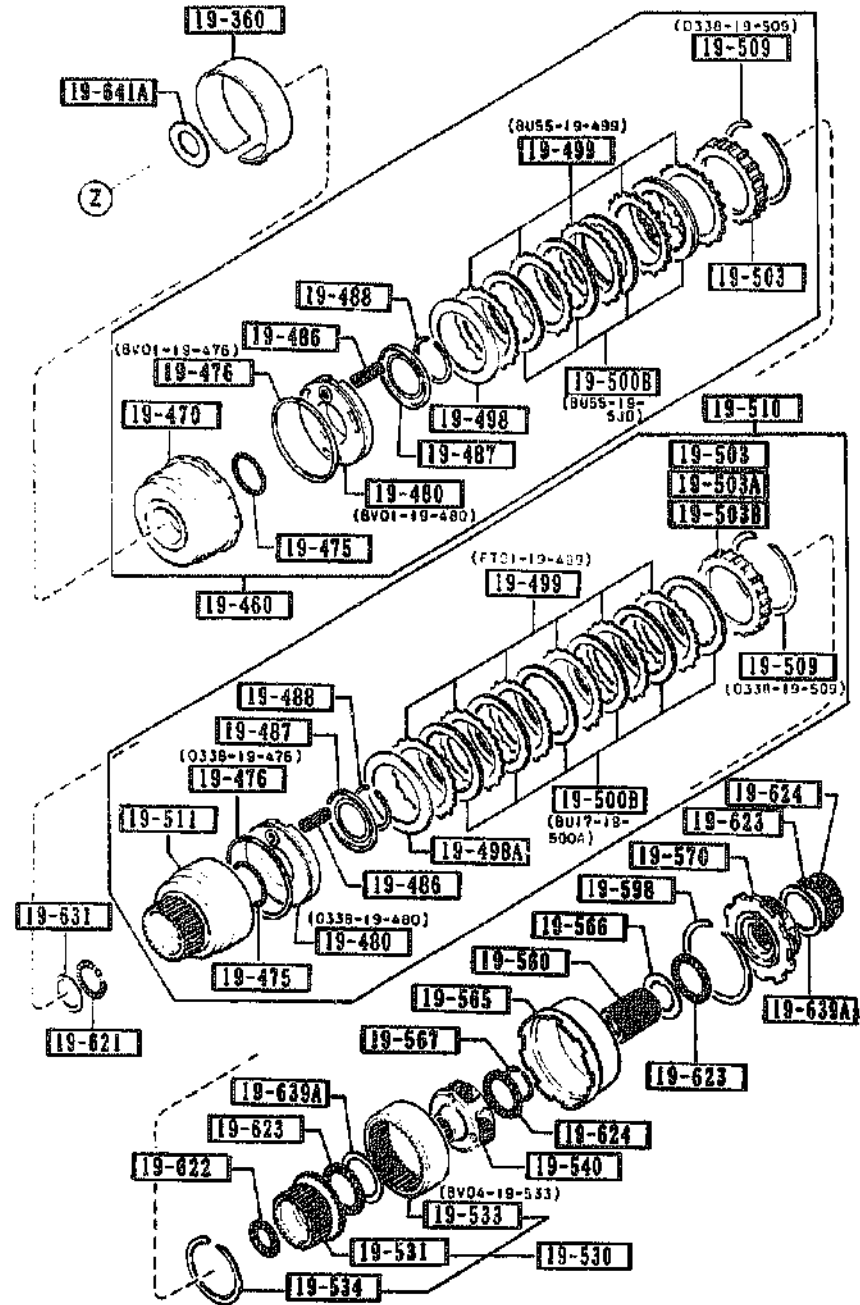


(THIS ILLUSTRATION CONSISTS OF 2 PAGES)



PART NO.	QTY	MODEL/RESTRICTION	MODEL/RFSTRICTION	MODEL/RESTRICTION	FROM-TO
19-360		BAND, BRAKE			
0338-19-360B	2				
19-460		CLUTCH, FRONT			
BU55-19-460	1				
19-670		DRUM, CLUTCH			
BU55-19-670	1				
19-475		SEAL, 'O'RING			
0338-19-475	3				
19-476		SEAL, LATHE CUT			
BU01-19-476	1				
0338-19-476	2				
19-480		PISTON, CLUTCH			
BU01-19-480	1				
0338-19-480	2				
19-486		SPRING, PISTON RETURN			
0338-19-486	2B				
19-487		RETAINER, SPRING			
0338-19-487	3				
19-488		RING, SNAP			
0338-19-488	3				
19-498		PLATE, DISHED			
0338-19-498	1				
19-498A		PLATE, DISHED			
BU17-19-498	1				
19-499		PLATE, DRIVEN			
BU55-19-499	5				
FT01-19-499	8				
19-500B		PLATE, DRIVEN			

(THIS ILLUSTRATION CONSISTS OF 2 PAGES)



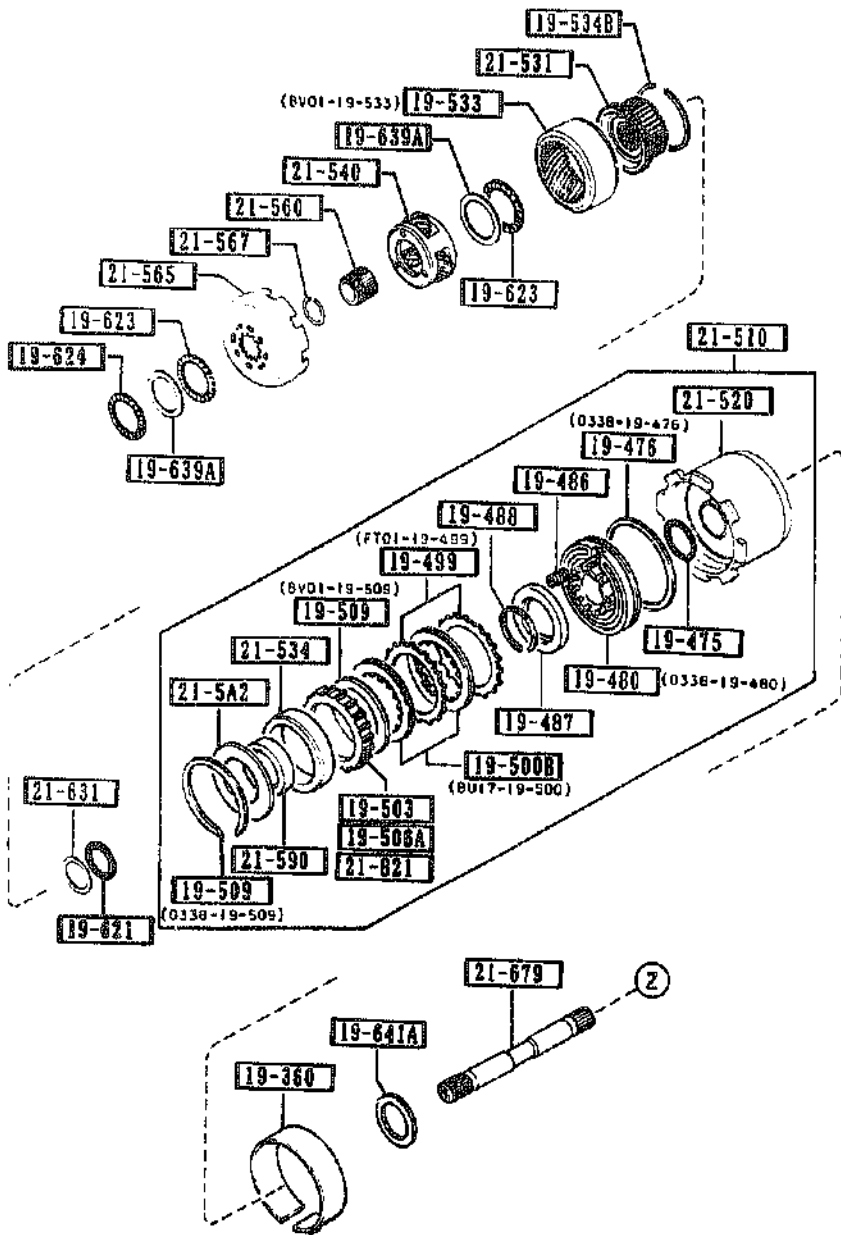
AUHA01

PART NO.	QTY	MODEL/RESTRICTION	MODEL/RESTRICTION	MODEL/RESTRICTION	FROM-TO
CONT'D					
BU55-19-5J0	4				
BU17-19-500	8				
19-503		PLATE, RETAINING			
3959-19-505	1	T=5.5MM			
3959-19-504	1	T=5.2MM			
3959-19-505	1	T=5.4MM			
3959-19-506	2	T=5.6MM			
3959-19-507	2	T=5.8MM			
3959-19-508	2	T=6MM			
3959-19-509	3	T=6.2MM			
19-503A		PLATE, RETAINING			
1758-19-503	1	T=7.2MM			
1758-19-504	1	T=7.4MM			
1758-19-505	1	T=7.6MM			
19-503B		PLATE, RETAINING			
8V02-19-505	1	T=6.4MM			
8V02-19-506	1	T=6.6MM			
8V02-19-507	1	T=6.8MM			
8V02-19-508	1	T=7MM			
19-506A		PLATE, RETAINING			
BU05-21-528	1	T=7MM			
19-509		RING, SNAP			
8V01-19-509	1				
0338-19-509	3				

CAT. AUNAG1-07

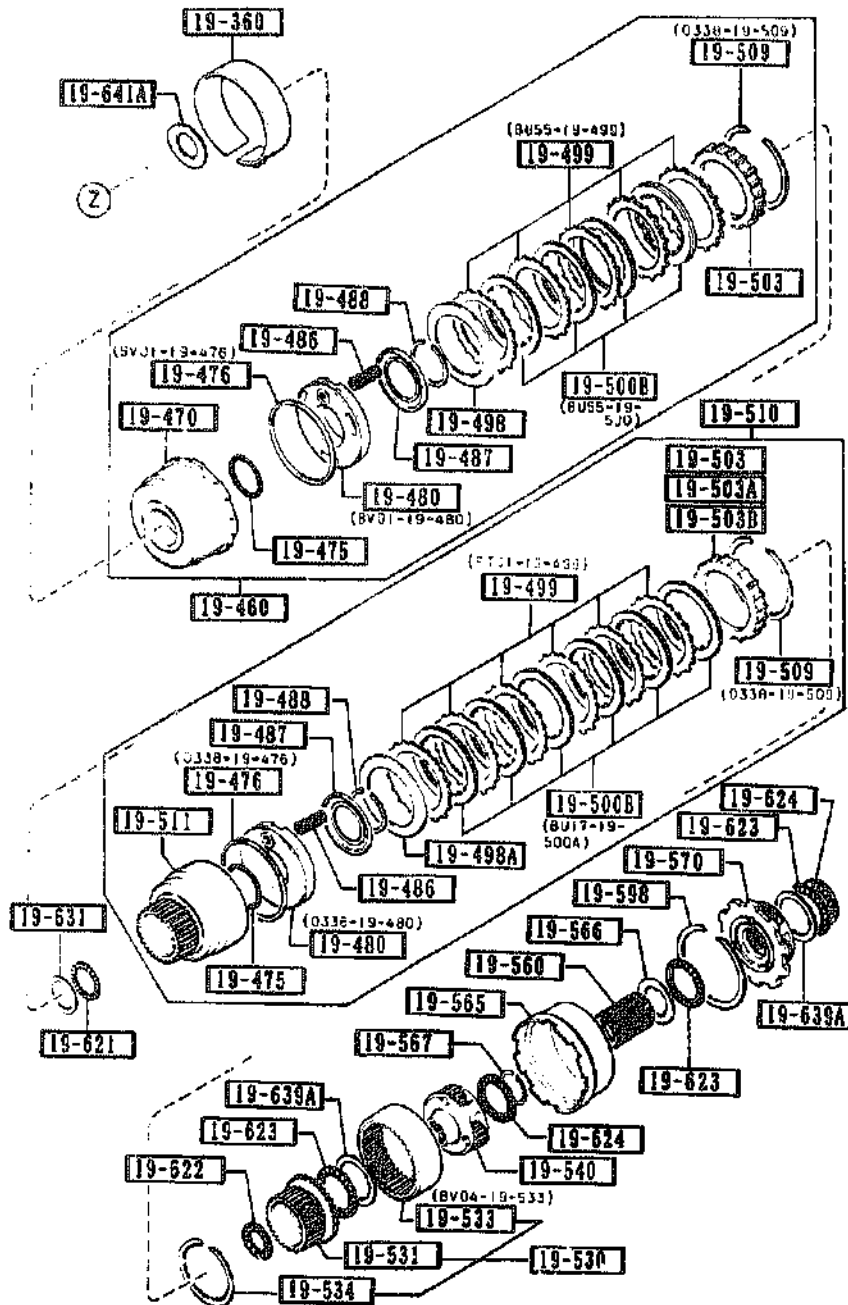
1992-02

(THIS ILLUSTRATION CONSISTS OF 2 PAGES)



PART NO.	QTY	MODEL/RESTRICTION	MODEL/RESTRICTION	MODEL/RESTRICTION	FROM-TO
19-510		CLUTCH, REAR			
BV01-19-510	1				
19-511		DRUM, REAR CLUTCH			
1758-19-511	1				
19-530		HUB, REAR CLUTCH			
BV04-19-530	1				
19-531		HUB, REAR CLUTCH			
BV04-19-531	1				
19-533		GEAR, INTERNAL			
BV01-19-533	1				
BV04-19-533	1				
19-534		RING, SNAP			
0338-19-534	1				
19-534B		RING, SNAP			
BU03-19-534	1				
19-540		CARRIER, FRONT			
BV01-19-540A	1				
19-560		GEAR, SUN			
BV04-19-560	1				
19-565		SHELL, CONNECTING			
BV04-19-565	1				
19-566		RACE, SHELL BEARING			
BV04-19-566	1				
19-567		RING, SNAP			
EU02-19-567	1				
19-570		CARRIER, REAR			
BV03-19-570A	1				

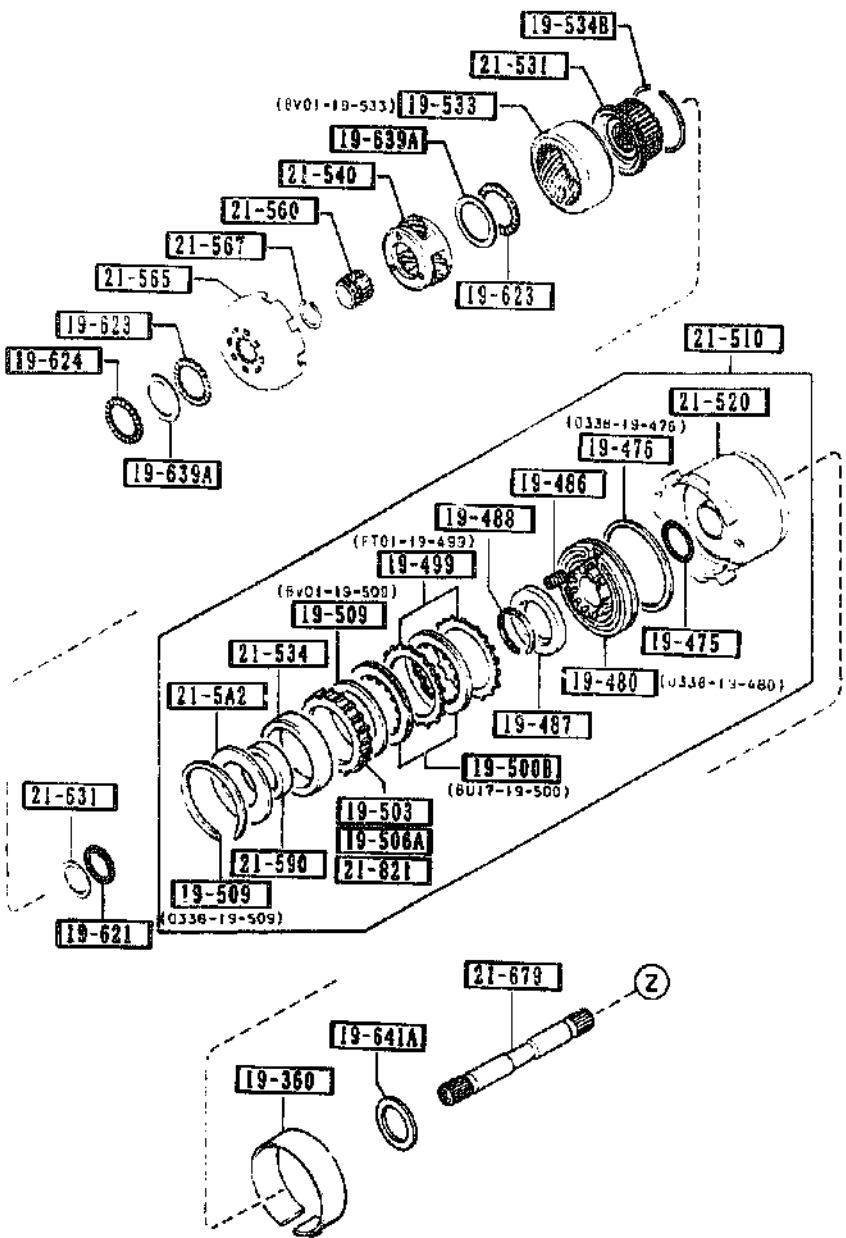
(THIS ILLUSTRATION CONSISTS OF 2 PAGES)



PART NO.	QTY	MODEL/RESTRICTION	MODEL/RESTRICTION	MODEL/RESTRICTION	FROM-TO
19-598		RING, SNAP			
0338-19-598	1				
19-621		BEARING, NEEDLE			
0338-19-621	2				
19-622		BEARING, NEEDLE			
FT01-19-622	1				
19-623		BEARING, NEEDLE			
0338-19-623	5				
A (0338-19-623A)					-0401
0338-19-623A	5				0401-
19-624		BEARING, NEEDLE			
0338-19-624	3				
19-631		RACE, BRG. PUMP COVER			
0338-19-631	1	T=1.2MM			
0338-19-632	1	T=1.4MM			
0338-19-633	1	T=1.6MM			
0338-19-634	1	T=1.8MM			
0338-19-635	1	T=2MM			
0338-19-636	1	T=2.2MM			
19-639A		RACE, BEARING			
0338-19-639	4				
19-641A		WASHER			
0338-19-641	2	T=1.9MM			
0338-19-642	2	T=2.1MM			
0338-19-643	2	T=2.3MM			
0338-19-644	2	T=2.5MM			

0401 NA35MM-146563

(THIS ILLUSTRATION CONSISTS OF 2 PAGES)



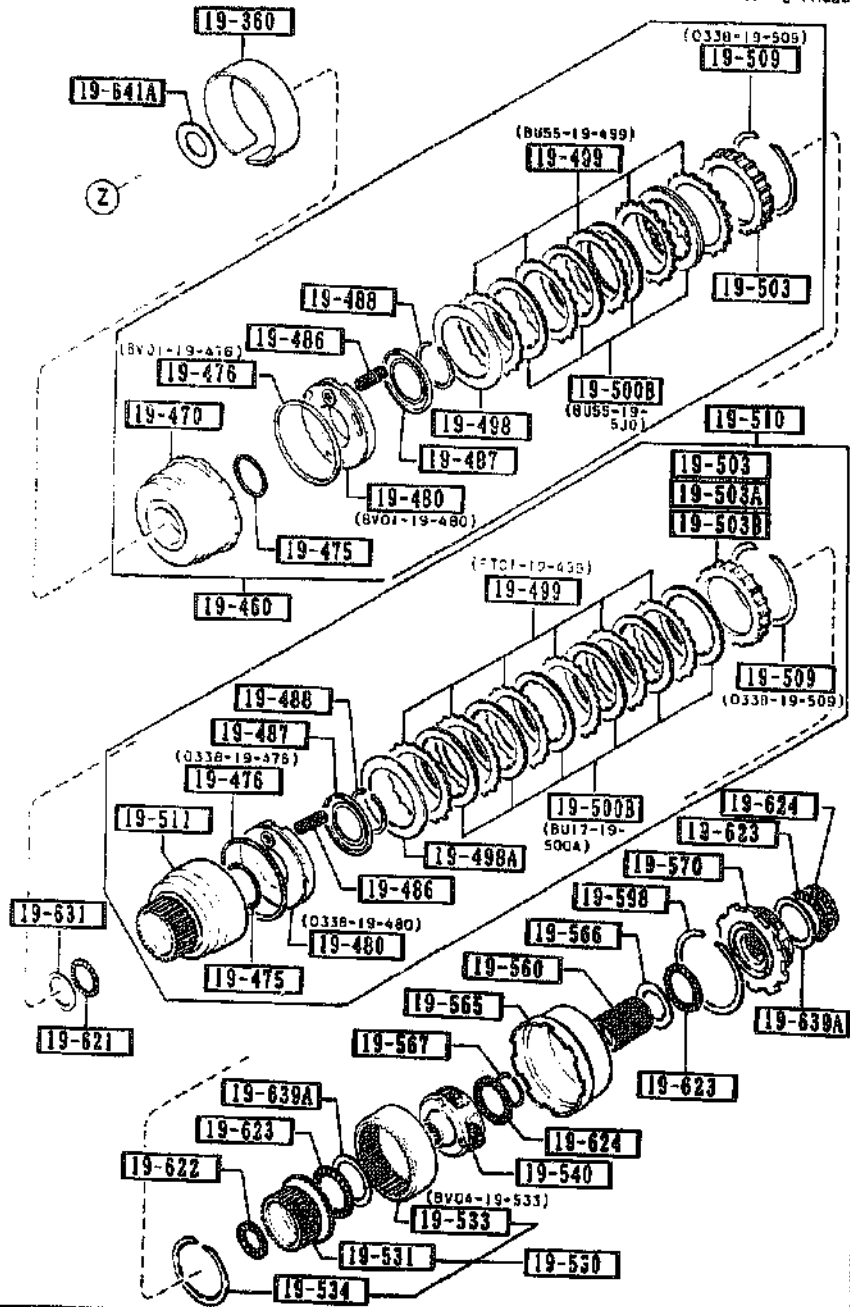
PART NO.	QTY	MODEL/RESTRICTION	MODEL/RESTRICTION	MODEL/RESTRICTION	FROM TO
CONT'D 0338-19-645	2	T=2.7MM			
0338-19-646	2	T=1.5MM			
0338-19-647	2	T=1.7MM			
0338-19-648	2	T=1.3MM			
21-5A2		RECE, SIDE-ONE WAY CL UTCH			
BV01-21-5A2	1	T=0.6MM			
BV01-21-5A3	1	T=0.8MM			
BV01-21-5A4	1	T=1MM			
BV01-21-5A5	1	T=1.2MM			
BV01-21-535	1	T=0.4MM			
21-510		CLUTCH, DIRECT			
BU55-21-510	1				
21-520		DRUM, DIRECT			
BU55-21-5A0	1				
21-531		HUB, D-DRIVE CLUTCH			
BV01-21-534	1				
21-534		RACE, OUTER-ONE WAY C LUTCH			
BV01-21-534	1				
21-540		CARRIER, OVER DRIVE			
BU03-21-540	1				
21-560		GEAR, OVER DRIVE			
BU03-21-560	1				
21-565		CONNECTING, SHELL			
BU03-21-565	1				
21-567		RING, SNAP			

SECTION NAME INDEX (ENGINE)

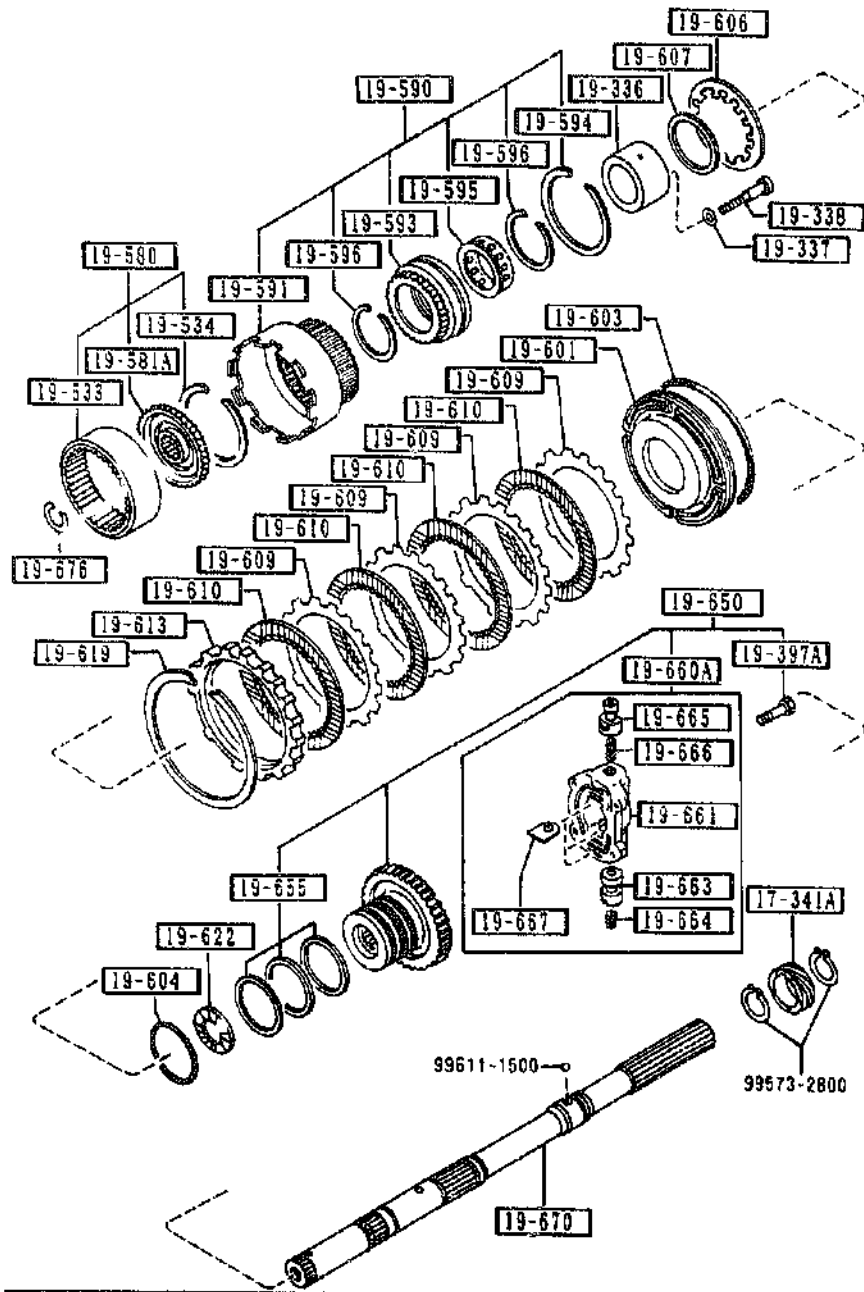
LO.NO	SEC.NO	SECTION NAME	LO.NO	SEC.NO	SECTION NAME	LO.NO	SEC.NO	SECTION NAME
1-C03	1000	SHORT ENGINE & GASKET SETS						
1-D03	1010	CYLINDER HEAD & COVER						
1-G03	1030	CYLINDER BLOCK						
1-I03	1040	OIL PAN & TIMING COVER						
1-K03	1100	PISTON, CRANKSHAFT & FLYWHEEL						
1-N03	1200	VALVE SYSTEM						
1-D04	1300	INLET MANIFOLD						
1-E04	1310	EXHAUST MANIFOLD						
1-F04	1320	FUEL SYSTEM						
1-H04	1325	FUEL DISTRIBUTOR						
1-ID4	1330	AIR CLEANER						
1-K04	1364	THROTTLE BODY						
1-L04	1370	EMISSION CONTROL SYSTEM (INLET SIDE)						
1-M04	1399	CAP & HOSE CLIP (INLET & EXHAUST SIDE)						
1-N04	1400	OIL PUMP & FILTER						
1-C05	1500	COOLING SYSTEM						
1-G05	1580	BRACKET, PULLEY & BELT						
1-C06	1600	CLUTCH DISC & COVER (MANUAL)						
1-D06	1700	TRANSMISSION CASE (MANUAL)						
1-E06	1710	TRANSMISSION GEARS (MANUAL)						
1-J06	1720	CHANGE CONTROL SYSTEM (MANUAL)						
1-M06	1800	ENGINE ELECTRICAL SYSTEM						
1-C07	1830	ALTERNATOR						
1-E07	1840	STARTER						
1-G07	1850	BATTERY						
1-H07	1910	TORQUE CONVERTER, OIL PUMP & PIPINGS (AUTOMATIC)						
1-K07	1920	TRANSMISSION CASE & MAIN CONTROL SYSTEM (AUTOMATIC)						
1-E08	1925	CONTROL VALVE (AUTOMATIC)						
1-I08	1930	CLUTCHES & PLANETARY GEARS (AUTOMATIC)						
1-D09	1940	GOVERNOR, LOW & REVERSE PISTON (AUTOMATIC)						
1-G09	1950	MANUAL LINKAGE SYSTEM (AUTOMATIC)						
1-I09	1960	GASKET & SEAL KIT (AUTOMATIC)						



(THIS ILLUSTRATION CONSISTS OF 2 PAGES)



PART NO.	QTY	MODEL/RESTRICTION	MODEL/RESTRICTION	MODEL/RESTRICTION	FROM-TO
CONT'D BU03-21-567	1				
21-590		CLUTCH, ONE WAY			
BU01-21-533	1				
21-631		RACE, BRG. HUB CLUTCH			
BU01-21-631	1	L=1.2MM			
BU01-21-632	1	L=1.4MM			
BU01-21-633	1	L=1.6MM			
BU01-21-634	1	L=1.8MM			
BU01-21-635	1	L=2MM			
BU01-21-636	1	L=2.2MM			
21-679		SHAFT, INTERMEDIATE			
BU01-21-679	1				
21-821		PLATE, RETAINING			
BU01-21-821A	1				

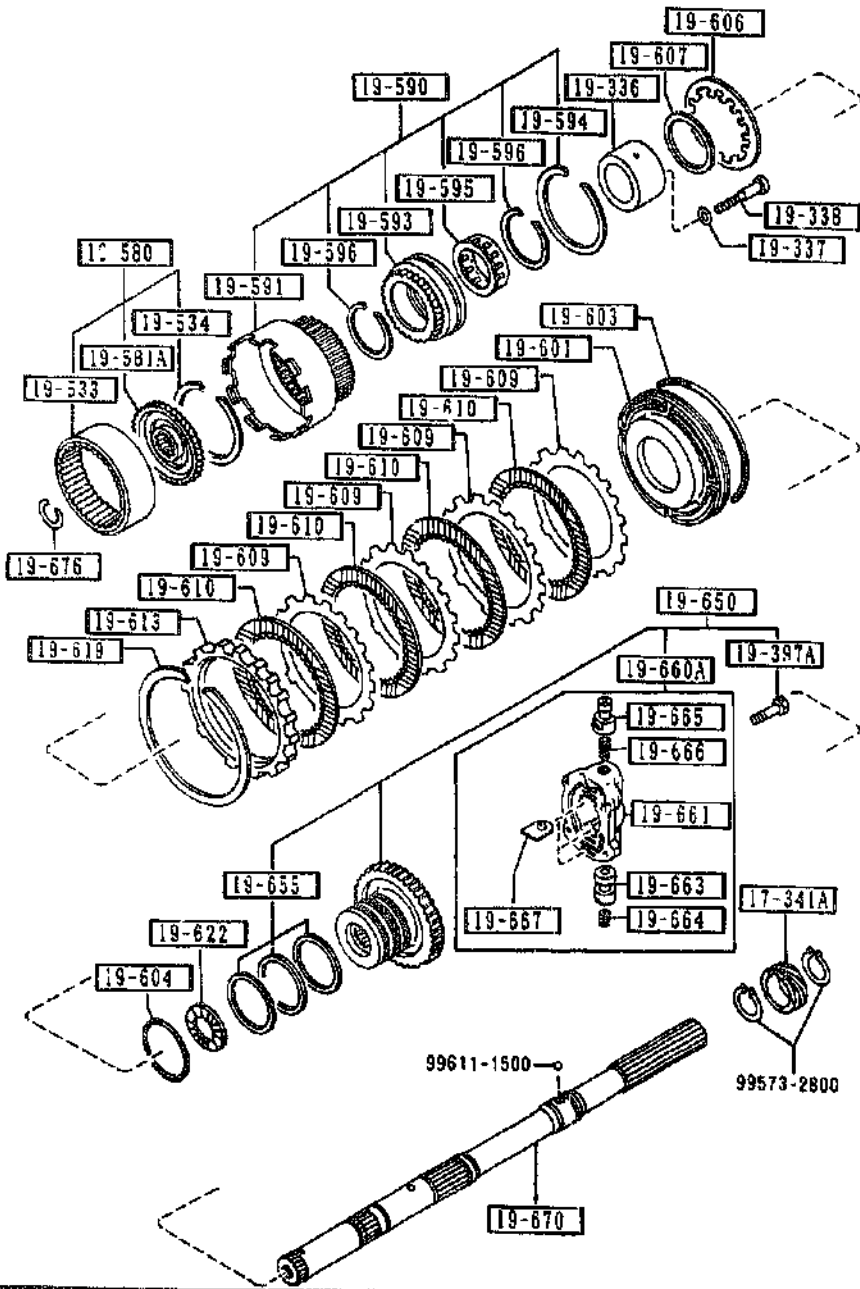


PART NO.	QTY	MODEL/RESTRICTION	MODEL/RESTRICTION	MODEL/RESTRICTION	FPOM-10
17-341A		GEAR, SPEEDO.DRIVE			
1281-17-341	1				
19-336		RACE, INNER			
0338-19-336	1				
19-337		WASHER, PLAIN			
0338-19-337	8				
19-338		BOLT			
0338-19-338	8				
19-397A		BOLT			
0338-19-397	4				
19-533		GEAR, INTERNAL			
BV04-19-533	1				
19-534		RING, SNAP			
0338-19-534	1				
19-580		FLANGE			
BV01-19-580	1				
19-581A		HUB, DRIVE			
BV04-19-581	1				
19-590		DRUM, CONNECTING			
0338-19-590	1				
19-591		DRUM, CONNECTING			
0338-19-591	1				
19-593		RACE, OUTER			
0338-19-593	1				
19-594		RING, SNAP			
0338-19-594	1				
19-595		CLUTCH, ONE WAY			
0338-19-595	1				

AUNA01

CAT. AUNA01-07

1992-02

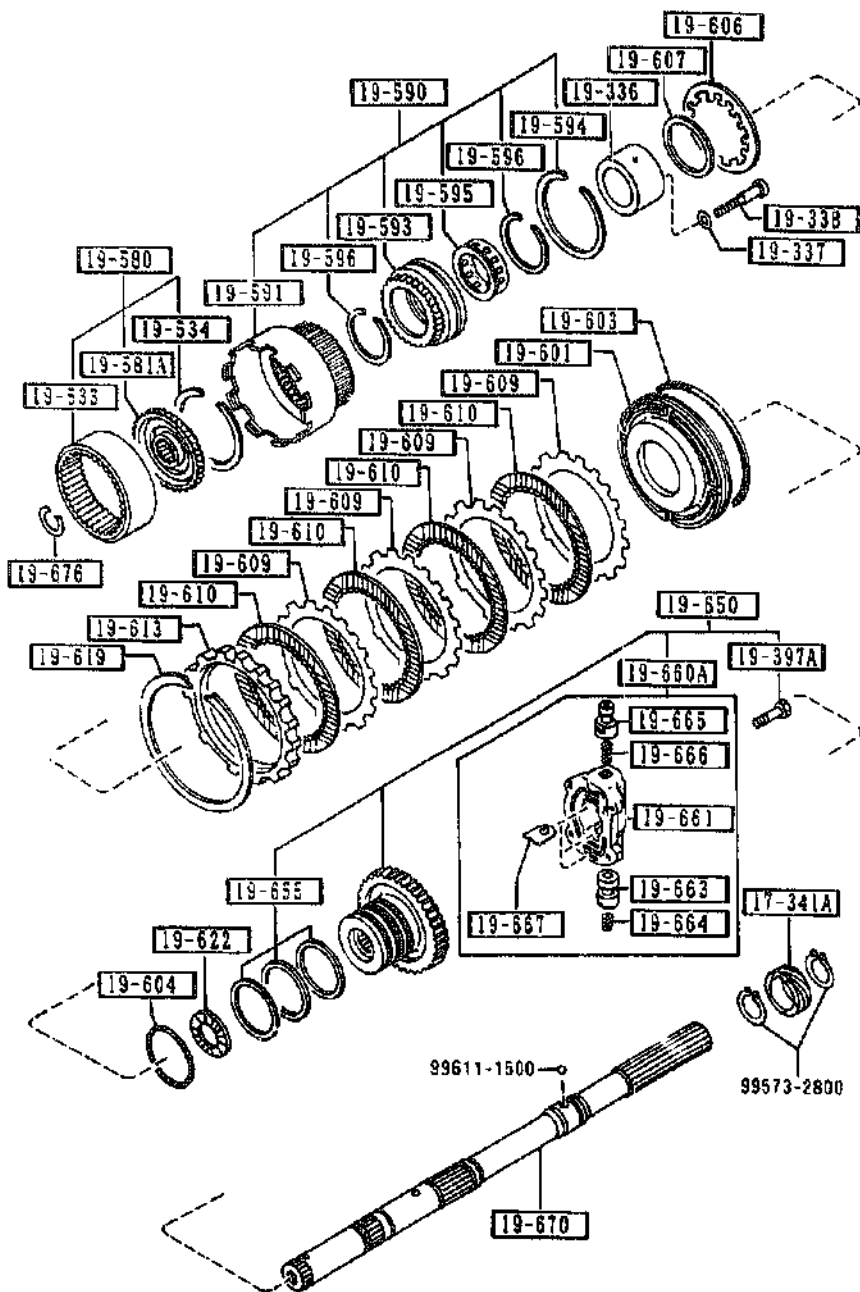


PART NO.	QTY	MODEL/RESTRICTION	MODEL/RESTRICTION	MODEL/RESTRICTION	FROM-TO
19-596		WING, SNAP			
0338-19-596	2				
19-601		PISTON, LOW & REVERSE			
BT08-19-600	1				
19-603		SEAL, PISTON			
0338-19-603	1				
19-604		SEAL, O-RING			
0338-19-604	2				
19-606		SPRING, PISTON			
0338-19-606	1				
19-607		RING, SNAP			
0338-19-607	1				
19-609		PLATE, DRIVEN			
0338-19-609	4				
19-610		PLATE, DRIVEN			
6U17-19-610	4				
19-613		PLATE, RETAINING			
1756-19-613	1	T=7.8MM			
1758-19-614	1	T=8MM			
1758-19-615	1	T=8.2MM			
1758-19-616	1	T=8.4MM			
1758-19-617	1	T=8.6MM			
1758-19-618	1	T=8.8MM			
19-619		RING, SNAP			
0338-19-619	1				
19-622		BEARING, NEEDLE			

AUMA01

CAT. AUMA01-07

1992-02



PART NO.	QTY	MODEL/RESTRICTION	MODEL/RESTRICTION	MODEL/RESTRICTION	FROM-TO
CONT'D FT01-19-622	1				
19-650		DISTRIBUTOR, OIL			
BU55-19-650	1				
19-655		RING, SEAL			
0338-19-655	3				
19-660A		VALVE, GOVERNOR			
BU55-19-660	1				
19-661		BODY			
BU55-19-661	1				
19-663		VALVE			
0338-19-663	1				
19-664		SPRING			
0338-19-664	1				
19-665		VALVE			
BU55-19-665	1				
19-666		SPRING, GOVERNOR			
BU55-19-666	1				
19-667		PLATE, RETAINER			
0338-19-667	3				
19-670		SHAFT			
BU55-19-670	1				
19-676		RING			
0338-19-676	1				

OM-TO

02-02

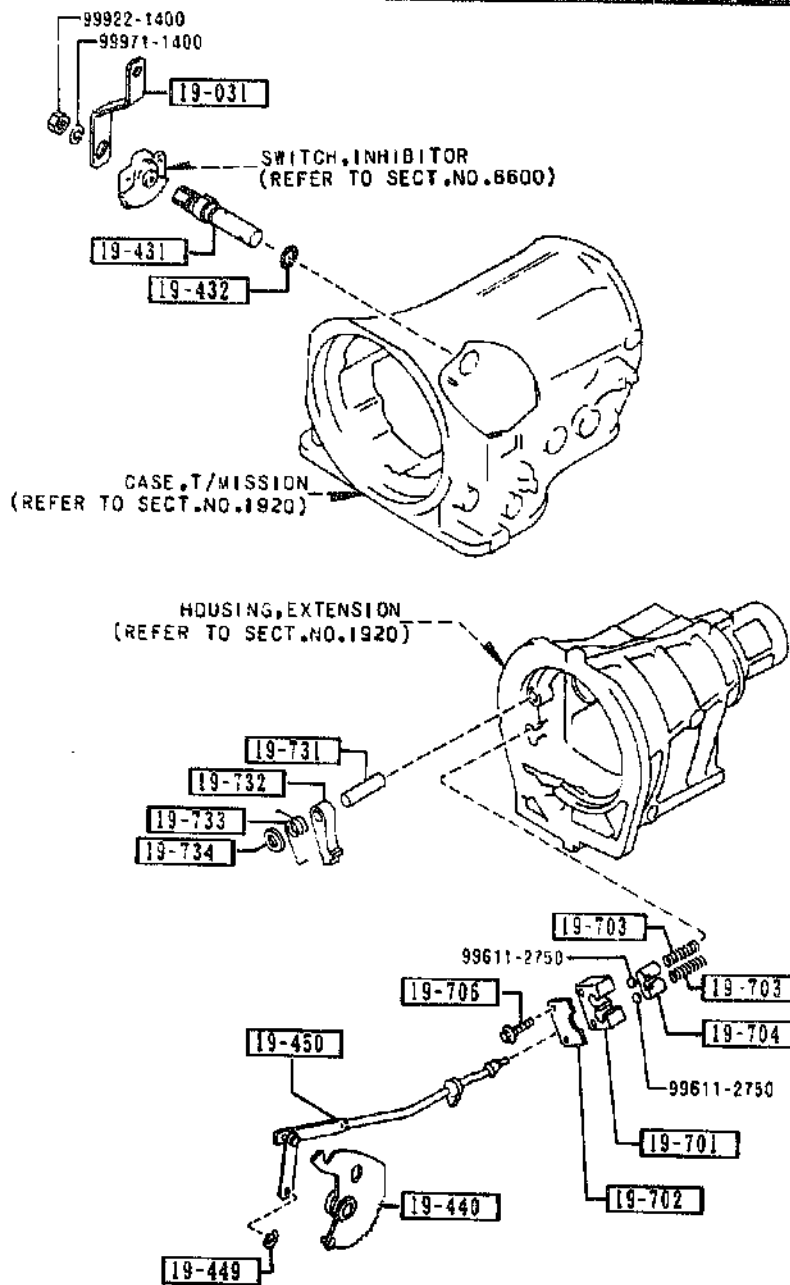
AUNAG1

CAT. AUNAG1-07

1992-02

1950 MANUAL LINKAGE SYSTEM (AUTOMATIC)

1950 -1 MANUAL LINKAGE SYSTEM (AUTOMATIC)



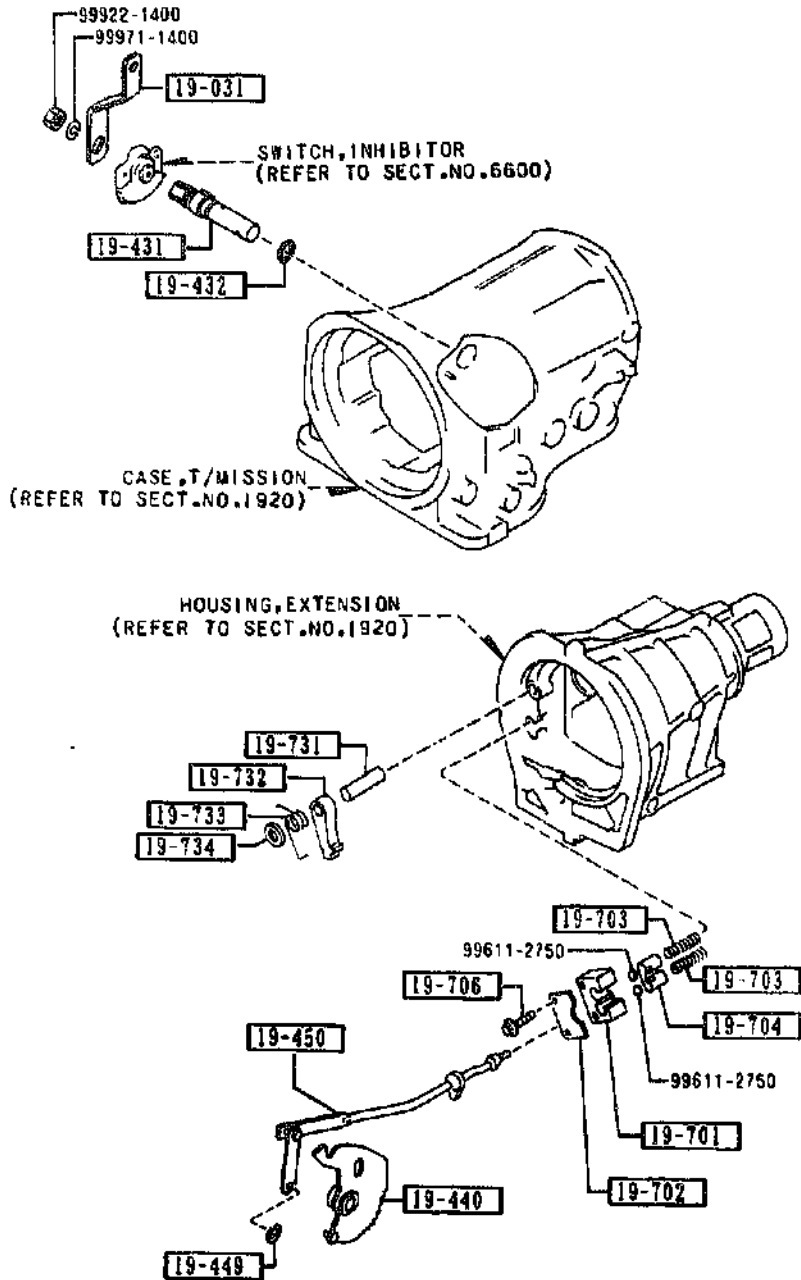
PART NO.	QTY	MODEL/RESTRICTION	MODEL/RESTRICTION	MODEL/RESTRICTION	FROM-10
19-031		LEVER, SELECT			
BU55-19-031	1				
19-431		SHAFT, MANUAL			
BU67-19-431	1				
19-432		RING, 'O'			
0338-19-432	1				
19-440		PLATE, MANUAL			
BU55-19-440	1				
19-449		RING, SNAP			
0338-19-449	1				
19-450		ROD, PARKING			
BU17-19-450	1				
19-701		SUPPORTER, ACTUATOR			
0338-19-701A	1				
19-702		PLATE, RETAINING			
0338-19-702A	1				
19-703		SPRING, BALL PARK			
0338-19-703	2				
19-704		RETAINER			
0338-19-704	1				
19-706		BOLT			
0338-19-706	1				
19-731		SHAFT, PARKING PAWL			
0338-19-731	1				
19-732		PAWL, PARKING			
BU17-19-732	1				
19-733		SPRING, PAWL RETURN			
0338-19-733C	1				

AUNAO1

CAT. AUNAO1-07

1992-02

1950 MANUAL LINKAGE SYSTEM (AUTOMATIC)



PART NO.	QTY	MODEL/RESTRICTION	MODEL/RESTRICTION	MODEL/RESTRICTION	FROM-TO
19-734		SPACER, DOWEL			
0338-19-734A	1				

AUNA01

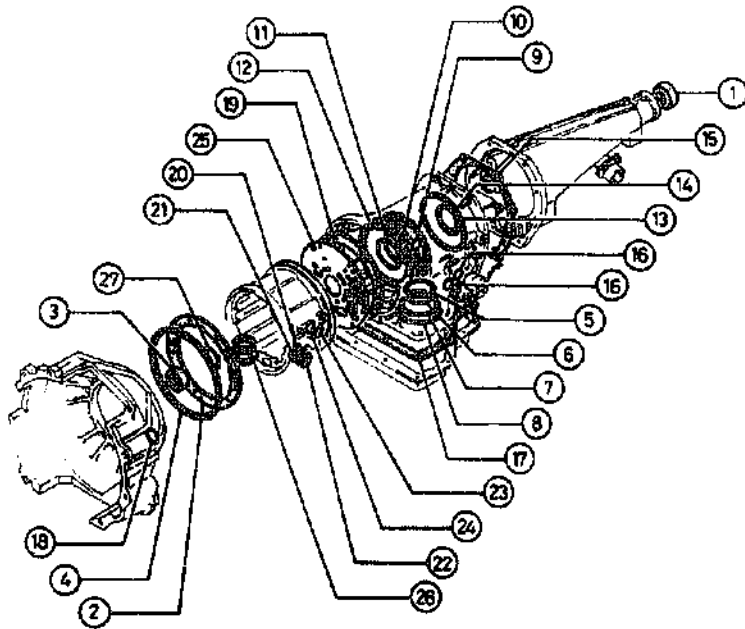
CAT. AUNA01-07

1992-02

1960 GASKET & SEAL KIT (AUTOMATIC)

22-900

- 1-SEAL,OIL.....(1)
- 2-GASKET,OIL PUMP.....(1)
- 3-SEAL,OIL.....(1)
- 4-SEAL,CUT RING.....(2)
- 5-SEAL,PISTON.....(1)
- 6-SEAL,PISTON.....(1)
- 7-SEAL,LATHE CUT.....(1)
- 8-RING,"O".....(1)
- 9-RING,"O".....(1)
- 10-RING,"O".....(1)
- 11-SEAL,"O"RING.....(3)
- 12-SEAL,LATHE CUT.....(3)
- 13-SEAL,PISTON.....(1)
- 14-SEAL,"O"RING.....(1)
- 15-GASKET,EXTENSION.....(1)
- 16-SEAL,"O"RING.....(2)
- 17-GASKET,OIL PAN.....(1)
- 18-RING,"O".....(1)
- 19-GASKET,DRUM SUPPORT.....(1)
- 20-SEAL,"O"RING.....(1)
- 21-SEAL,"O"RING.....(1)
- 22-RING,"O".....(1)
- 23-RING,"O".....(1)
- 24-RING,"O".....(1)
- 25-GASKET,O/DRIVE CASE.....(1)
- 26-RING,"O".....(1)
- 27-RING,"O".....(1)



PART NO.	QTY	MODEL/RESTRICTION	MODEL/RESTRICTION	MODEL/RESTRICTION	FROM-TO
22-900		GASKET & SEAL KIT			
BU01-99-190A	1	ASBESTOS			