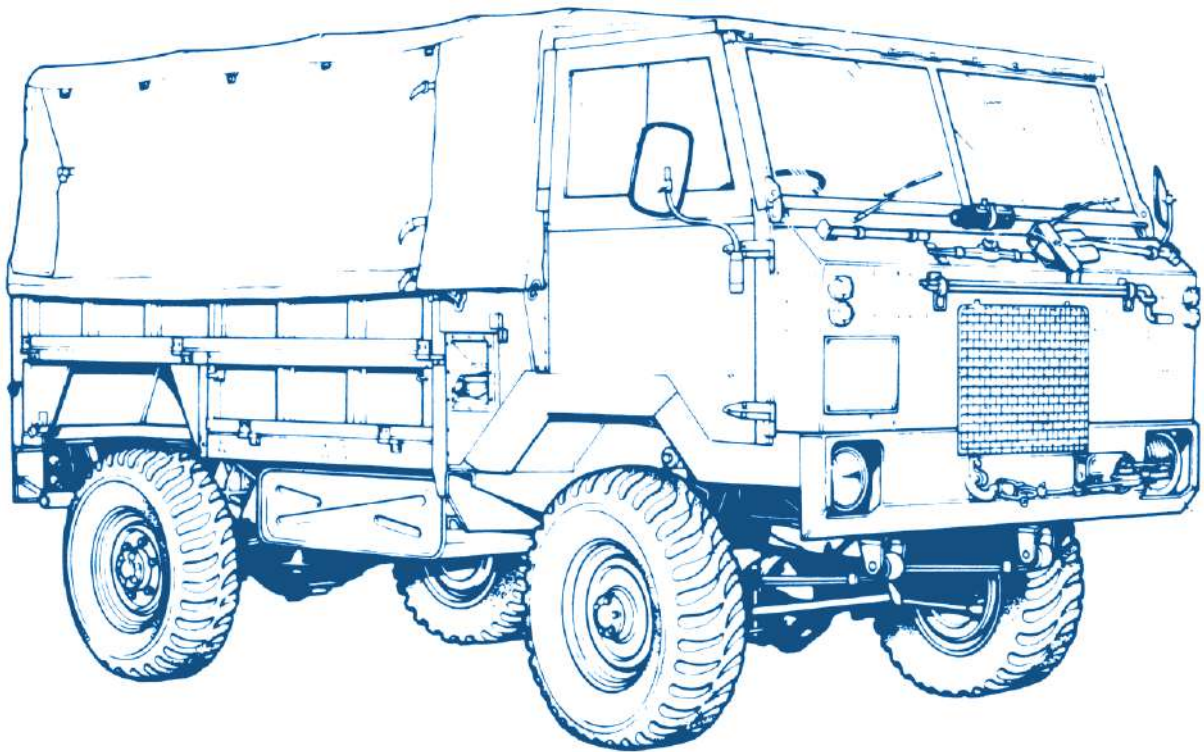




Land Rover
101 Forward Control
1 Tonne 4x4 Parts Catalogue

Part No 608294B

November 1976



**IF YOU PAYED FOR THIS FILE,
YOU HAVE BEEN RIPPED OFF.**

**IF YOU PAYED FOR THIS FILE,
YOU HAVE BEEN RIPPED OFF.**



Land Rover

101 Forward Control

1 Tonne 4x4 Parts Catalogue

Part No 608294B

November 1976

British Leyland UK Limited
Jaguar & Rover Triumph Parts & Accessories
P.O. Box 150 Fletchamstead Highway
Coventry CV4 9DB

Telephone: Coventry (0203) 75511
Telex: 311322
Cables: Stanpart Coventry

Whilst every effort is made to ensure the accuracy of the particulars contained in this Manual the Manufacturing Companies will not, in any circumstances, be held liable for any inaccuracies or the consequences thereof.

© Parts and Accessories Jaguar and Rover Triumph 1976

All rights reserved. No part of this publication may be reproduced, stored in a retrieval system or transmitted, in any form, electronic, mechanical, photocopying, recording or other means without prior written permission of Parts and Accessories Jaguar and Rover Triumph.

UNIPART

Unipart parts and accessories are tested and approved by British Leyland.
For full details of the Unipart range refer to the Unipart catalogue.

IMPORTANT

JAGUAR AND ROVER TRIUMPH PARTS SERVICE AND PARTS DIVISION LEYLAND CARS

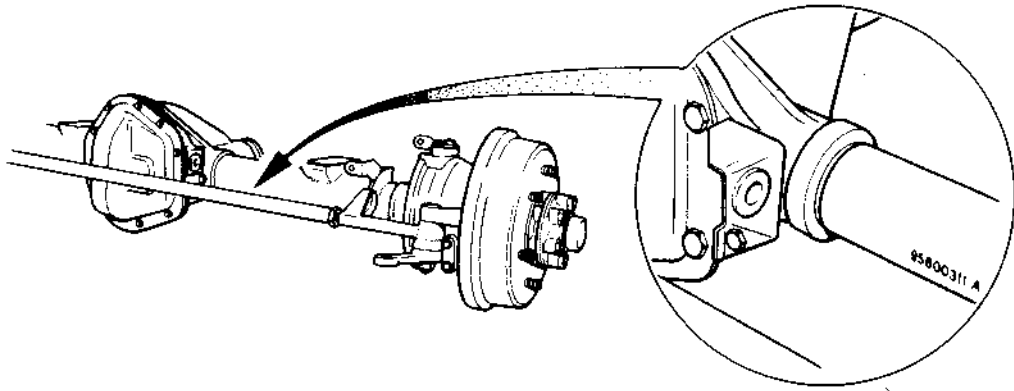
Replacement parts that are not of genuine Leyland Cars manufacture cannot be relied upon to be of Leyland Cars specification, material and workmanship and therefore Leyland Cars cannot extend their Warranty to vehicles which have been fitted with parts not of their manufacture.

Leyland Cars reserve the right to make changes or improvements in the construction or equipment of their products at any time.

In order to ensure prompt and correct execution of your orders it is essential to quote :

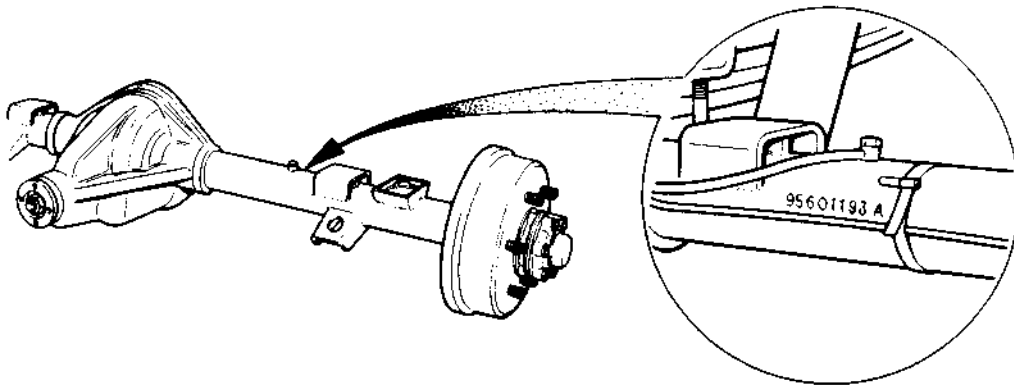
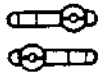
1. The relative unit number together with prefixes, suffixes and specification reference where applicable.
i.e. Chassis, Commission, Engine, Gearbox, Axle numbers, etc.
2. The part number and description (prefix and suffix letters to part numbers must always be quoted).
3. Always state the colour of carpets, painted items, trim items.
4. The quantity required bearing in mind that the quantities shown are those used in the application actually illustrated. Sometimes only minimum packaged quantities are available. These packs may well contain more parts than are required for a single job, for details of packaged quantities see the Parts List.
5. The listing or illustrating of an item does not guarantee its availability.

VEHICLE AND UNIT SERIAL COMMENCING NUMBERS
 VOGNS OG AGGREGATS SERIENUMMER BEGYNDENDE MED NUMMER
 AANVANGS-SERIENUMMERS VAN CHASSIS EN ONDERDELEN
 AUTON JA LAITTEEN ENSIMMAISET SARJANUMEROT
 SERIE VEHICULE ET ORGANE NUMEROS DE DEBUT
 SERIENANFANGSNUMMERN DER FAHRZEUGE UND EINHEITEN
 NUMERI D'INIZIO SERIE VETTURE E GRUPPI
 NUMEROS PRINCIPIANTES DE VEICULOS E DE UNIDADES
 NUMEROS INICIALES DE SERIE DE VEHICULO Y DE UNIDAD
 BORJAN AV VAGNENS OCH ENHETENS SERIENUMMER



95600001A

95900001A



95600001A

ALPHABETICAL INDEX

Description	Page	Description	Page
A		Capstan winch	33 29
Accelerator cable	30 39	Carburetter	31 77
Accelerator lever and linkage	30 39	Chassis frame	32 45
Accelerator pedal	30 39	Clutch	30 45
Adjusting link, alternator	30 35	Clutch master cylinder	30 49
Air cleaner	31 75	Clutch pedal	30 49
Air inlet duct	31 75	Clutch release mechanism	30 47
Alternator, 12 volt	32 05	Clutch slave cylinder	30 47
Alternator, 24 volt	32 07	Connecting rod	30 11
Ammeter	32 37	Contact set, 12 volt	32 13
Anti-roll bar	31 31	Contact set, 24 volt	32 15
Apportioning valve	31 49	Convoy lamp	32 19
Axle assembly, front	31 13	Coupling, fan drive	30 33
Axle assembly, rear	31 15	Coupling flange, rear drive	30 77
Axle shaft, front	31 19	Crankshaft	30 09
Axle shaft, rear	31 23	Crownwheel and pinion, axle	31 17
B		Cushion, front seat	33 09
Ballast resistor	32 31	Cylinder block	30 05
Battery, 12 volt	32 33	Cylinder head	30 27
Battery, 24 volt	32 37	D	
Battery carrier	32 49	Demister tube	33 15
Ball joint assembly	31 31	Differential axle	31 17
	31 39	Differential case	31 17
	31 43	Differential, transfer gearbox	30 75
Bell housing	30 53	Dipstick, oil level, gearbox	30 57
Belt, alternator	32 07	Distributor 12 volt	32 13
Belt, fan and water pump 24 volt alternator	30 33	Distributor 24 volt	32 15
Blower unit, heater	33 13	Door, cab	32 57
Bracket, alternator mounting	30 35	Door, rear locker	32 73
	30 37	Door, spare wheel access	32 51
Bracket, alternator support	30 35	Drag link	31 43
	30 37	Driving belt, 24 volt alternator	32 07
Bracket, gear lever mounting	30 38	Driving belt, fan and water pump	30 33
Brake drum, front	31 53	Drop arm	31 39
Brake drum, rear	31 55	E	
Brake drum, transmission	31 61	Engine	30 05
Brake, foot, front	31 53	Engine cover assembly	32 55
Brake, foot, rear	31 55	Engine mounting rubbers	30 05
Brake master cylinder	31 47		30 63
Brake pedal	31 45	Exhaust manifold	30 25
Brake servo unit	31 45	Exhaust down pipes	31 69
Brake shoe, front	31 53	Exhaust silencer	31 71
Brake shoe, rear	31 55	Exhaust tail pipe	31 71
Brake, transmission	31 61	Exhaust valve	30 27
Breather filter	31 75	F	
Bumperette	32 45	Fan	30 33
By-pass hose	30 23	Fan cowl	31 65
C		Filler cap, fuel tank	31 81
Cab	32 47	Filler cap, oil, main gearbox	30 57
Cable, accelerator	30 39	Filler cap, radiator	31 65
Cable, handbrake	31 57	Filter, blower intake	33 13
Camshaft	30 19		

ALPHABETICAL INDEX

Description	Page	Description	Page
Filter, carburetter	31 79	Heater duct	33 19
Filter, fuel	31 79	Heater water pipes	33 17
Filter, oil, engine	30 15	Hood and hoodsticks	33 05
Filter, oil, gearbox	30 57	Horn	32 31
Fire extinguisher	32 61	Hose, breather	31 75
Flame trap	31 75	Hose, heater	33 17
Flasher lamps	32 15	Hose, radiator	31 65
Floor assy, rear, removable	32 73	Hose, vacuum	31 45
Fluid reservoir, brake	31 45	Housing, front output shaft	30 61
Fluid reservoir, clutch	30 49	Housing, rear mainshaft bearing	30 59
Flywheel	30 45	Housing, speedometer drive	30 61
Front bumper	32 45	Housing, vacuum actuator	30 61
Front cover, engine	30 13	Hub, front	31 19
Front cover and oil pump, gearbox	30 55	Hub, rear	31 23
Front door	32 57		
Front hub assembly	31 19	I	
Front output shaft	30 73	Idler pulley, alternator	32 07
Front seats	33 09	Ignition coil	32 31
Fuel filter	31 79		32 35
Fuel gauge	32 21	Indicator and hazard unit	32 25
Fuel gauge unit	31 81	Inlet manifold	30 21
Fuel pump	31 81	Inlet valve	30 27
Fuel tank	31 81	Inner tube, tyre	31 35
Fume curtain	33 07	Instruments	32 21
Fuse box	32 31	Interior mirror	32 59
G		J	
Gasket kit, decarbonising	30 05	Jerrican, stowage	32 81
Gasket kit, engine overhaul	30 05	Jockey pulley, fan drive	32 07
Gauge panel	32 21	Journal propeller shaft	31 25
Gauge unit, fuel tank	31 81	Jump hose, brake	31 49
Gearbox, main and transfer casing	30 57		
Gearchange lever, main	30 83	L	
Gearchange lever, transfer	31 05	Lamps, 12 volt and 24 volt	32 19
Gear, distributor drive	30 19	Layshaft gear cluster	30 69
Gear, intermediate, high range	30 71	Lifting and towing equipment	33 25
Gear, intermediate, low range	30 71		
Gear, layshaft, gearbox	30 69	M	
Gear, mainshaft, gearbox	30 65	Main bearing	30 09
	30 67	Mainshaft, gearbox	30 67
Gear, output, high range	30 73	Master cylinder, brakes	31 47
Gear, reverse idler, gearbox	30 69	Master cylinder, clutch	30 49
Gear, speedometer drive	30 77	Mirror, external	32 57
Gear, transfer, gearbox	30 67	Mounting bracket, engine, rear	30 63
General electrical equipment, 12 volt	32 31	Mud flap	32 81
General electrical equipment, 24 volt	32 35		
Generator panel, 24 volt	32 37	N	
		Non-return valve, brake servo	30 21
H		Number plate lamp	32 19
Handbrake lever and linkage	31 57		
	31 59	O	
Hand throttle control	30 41	Oil cooler	31 67
Headlamp	32 15	Oil filler pipe	30 29
Heater	33 13		

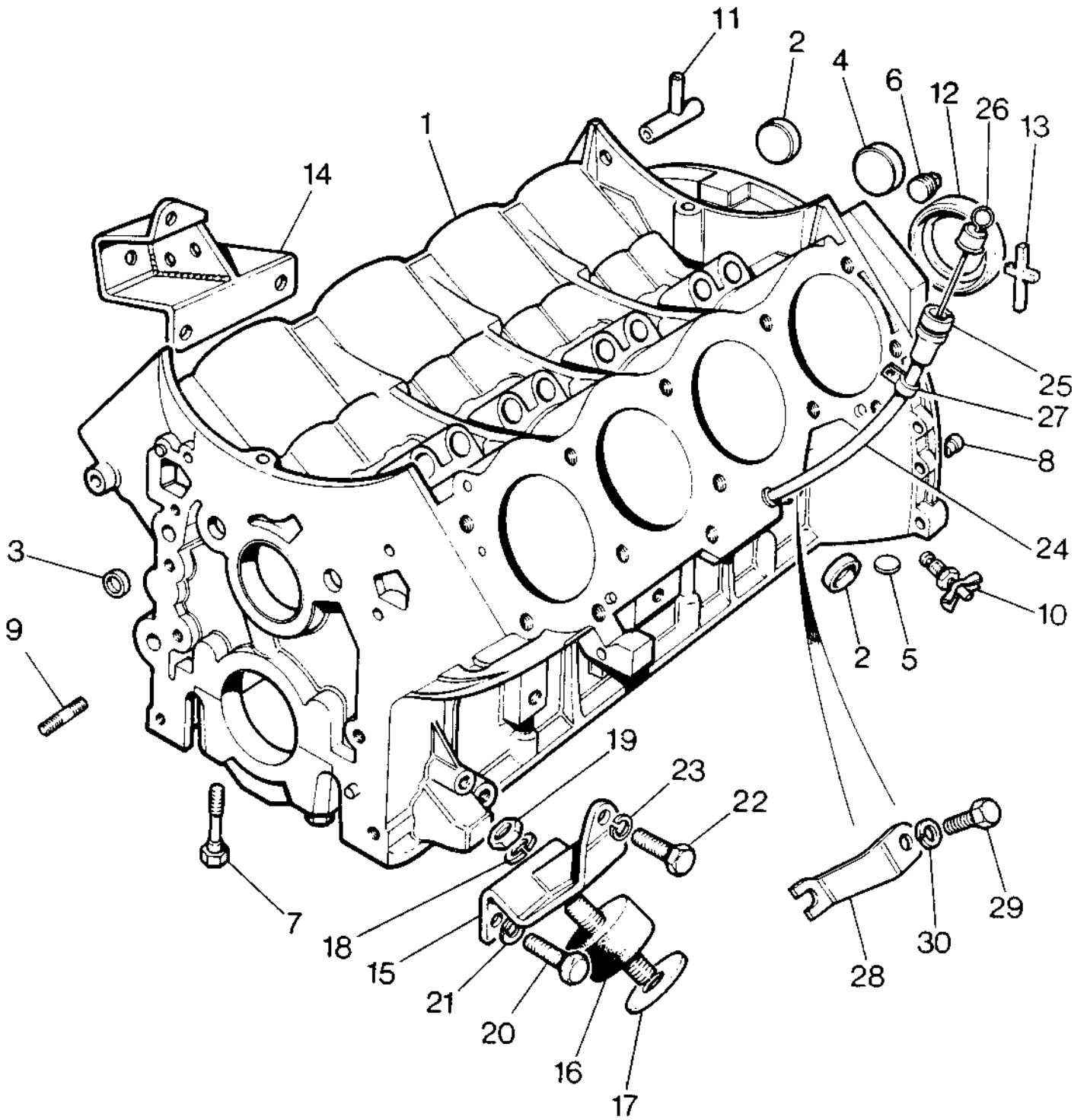
ALPHABETICAL INDEX

Description	Page	Description	Page
Oil filter	30 15	Shaft intermediate gear, gearbox	30 71
Oil level dipstick, engine	30 05	Shaft, reverse idler gear	30 69
Oil pump cover	30 15	Shock absorber, front	31 29
Oil pump, gearbox	30 55	Shock absorber, rear	31 33
Oil temperature gauge	32 21	Shunt box	32 37
Outlet pipe, heater	30 21	Shuttle valve	31 49
P		Sidelamp	32 19
Petrol tank	31 81	Side screens	32 59
Pipe, fuel	31 79	Silencer, exhaust	31 71
Pipe, oil cooler	31 67	Slave cylinder, clutch	30 47
Piston	30 11	Small arms clip	32 23
Piston ring	30 11	Socket, inspection lamp	32 23
Plug leads	32 13	Sparking plug, 12 volt	32 13
	32 15	Sparking plug, 24 volt	32 15
Primary pinion, gearbox	30 65	Speedometer	32 21
Propeller shaft, front	31 25	Speedo worm	30 77
Propeller shaft, rear	31 25	Starter dog	30 09
Pulley, alternator	30 35	Starter motor	32 11
	32 05	Steering column	31 39
	32 07	Steering damper	31 43
Pulley, belt tensioning	32 07	Steering relay and linkage	31 41
Pulley, crankshaft	30 09	Steering wheel	31 39
Pulley, fan and water pump	30 33	Stop/tail lamp	32 15
Pulley, winch cable	33 35	Stub axle, front	31 19
Pump, fuel	31 81	Sump	30 07
Push rod	30 17	Suspension rubber, engine, rear	30 63
R		Switch, cold start	32 31
Radiator	31 65	Switch, hazard warning	32 23
Radiator duct assembly	32 35	Switch headlamp dip and horn	32 25
Rear body side lower assembly	32 79	Switch, heater	32 31
Rear heater distributor box	33 19	Switch, ignition/starter	32 21
Reflector, red, rear	32 19	Switch, infra-red lighting	32 23
Relay, auxiliary	32 25	Switch, lamps, 6-way	32 21
Relay, infra-red switch	32 25	Switch, lock-up clutch warning	30 73
Relay, starter 12 volt	32 31	Switch, oil pressure	30 15
Relay, starter 24 volt	32 35	Switch, panel lights	32 23
Relief valve, oil pressure	30 15	Switch, windscreen wiper/washer	32 21
Road spring, front	31 29	Swivel housing assembly, winch	33 31
Road spring, rear	31 33	Squab, front seat	33 09
Road wheel	31 35	T	
Rocker cover	30 29	Tailboard assembly	32 77
Rocker shaft	30 17	Tank, fuel	31 81
Rotor arm, 12 volt	32 13	Tappet	30 17
Rotor arm, 24 volt	32 15	Thermostat	30 23
S		Timing chain	30 19
Seat belt	33 09	Timing cover	30 13
Seat slide	33 09	Timing pointer	30 13
Sediment bowl	31 79	Tool kit	33 39
Selector shafts and levers, main gearbox	30 79	Tool stowage	32 65
Selector shafts and levers, transfer gearbox	30 81	Towing pintle	33 23
Servo unit, brake	31 45	Track rod	31 43
		Transmission brake	31 61
		Tyre	31 35

ALPHABETICAL INDEX

Description	Page	Description	Page
U			
Universal joints and front hub	31 19		
Universal swivel, winch	33 31		
V			
Vacuum actuator	30 73		
Vacuum control valve	31 09		
Vacuum pipe, carburetter/distributor	31 77		
Vacuum unit	32 13		
Valve, apportioning	31 49		
Valve exhaust	30 27		
Valve gear	30 17		
Valve, inlet	30 27		
Valve, shuttle	31 49		
Vibration damper	30 09		
Viscous unit	30 33		
Voltage regulator, instruments	32 21		
W			
Warning light, diff, lock	30 73		
Warning light, brake	32 21		
Warning light, flasher	32 21		
Warning light, ignition	32 21		
Warning light, trailer flasher	32 21		
Warning light, winch	32 21		
Water pump	30 31		
Water temperature gauge	32 21		
Wheel cylinder, front	31 53		
Wheel cylinder, rear	31 55		
Wheel, road	31 35		
Winch cable	33 29		
Winch control lever	31 05		
Winch drive unit	33 33		
Winch, pulley	33 35		
Winch unit	33 33		
Windscreen	32 59		
Windscreen washer	32 29		
Windscreen wiper blade	32 27		
Windscreen wiper motor	32 27		

ENGINE—Cylinder Block

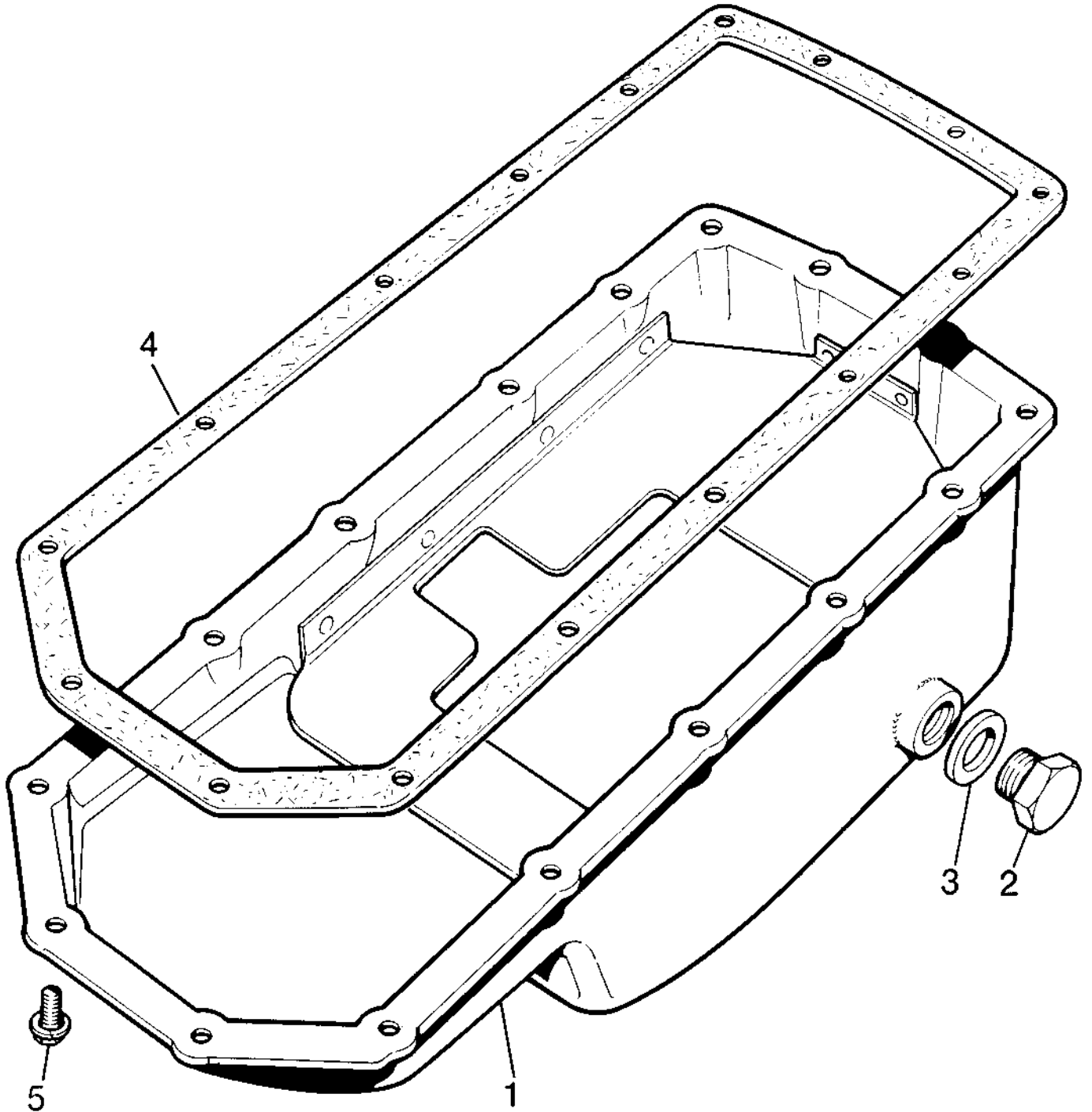


ENGINE—Cylinder Block

Plate								
Ref.	1	2	3	4	DESCRIPTION	Qty	Part No.	REMARKS
					ENGINE AND CLUTCH ASSEMBLY, 8·5 : 1 compression ratio	1	607430*	12 volt
					ENGINE AND CLUTCH ASSEMBLY, 8·5 : 1 compression ratio	1	608037*	24 volt
1					CYLINDER BLOCK ASSEMBLY	1	613991*	
2					Cup plug, 1·5" dia.	8	602152	
3					Cup plug, 0·609" dia.	4	602147	
4					Cup plug, 1·812" dia.	1	602146	
5					Disc plug	2	612898	
6					Threaded plug for tappet oil lines	2	602212	
7					Special bolt fixing main bearing caps	10	602130	
8					Dowel, locating flywheel housing	2	602141	
9					Stud ($\frac{5}{16}$ " UNC/UNF)	1	252513	
10					Drain tap	2	602915	
11					Inlet pipe for crankcase breather	1	603143	
12					Oil seal for crankshaft rear	1	611409	
13					Packing for oil seal	2	611089	
14					Engine mounting plate, RH	1	572121	
15					Engine mounting plate, LH	1	572122	
16					Mounting rubber front	2	566222	
17					Packing plate for mounting rubber	4	2251	
18					Spring washer } Fixing mounting rubber	4	WM600061	
19					Nut ($\frac{5}{8}$ " UNF) } to plate and chassis	4	254812	
20					Bolt ($\frac{7}{8}$ " UNC \times 1 $\frac{1}{8}$ " long) } Fixing engine	4	253067	
21					Spring washer } mounting plate	4	WM600071	
22					Bolt ($\frac{5}{8}$ " UNC \times $\frac{7}{8}$ " long) } to cylinder block	2	253027	
23					Spring washer }	2	WM600051	
24					TUBE ASSEMBLY FOR OIL LEVEL ROD	1	613792	
25					'O' ring for tube	1	602545	
26					Oil level rod	1	90614577*	
27					Clip, oil level rod tube to rocker cover	1	614601	
28					Clamp bracket—oil level rod	1	614585*	
29					Set bolt ($\frac{1}{2}$ " UNF \times $\frac{3}{8}$ " long) }	1	255202	
					Engine overhaul gasket kit } fixing clip	1	608585*	
					Decarbonising gasket kit }	1	GEG165	
30					Spring washer	1	WM600041	

*Asterisk indicates a new part which has not been used on any previous model.

ENGINE—Crankcase Sump



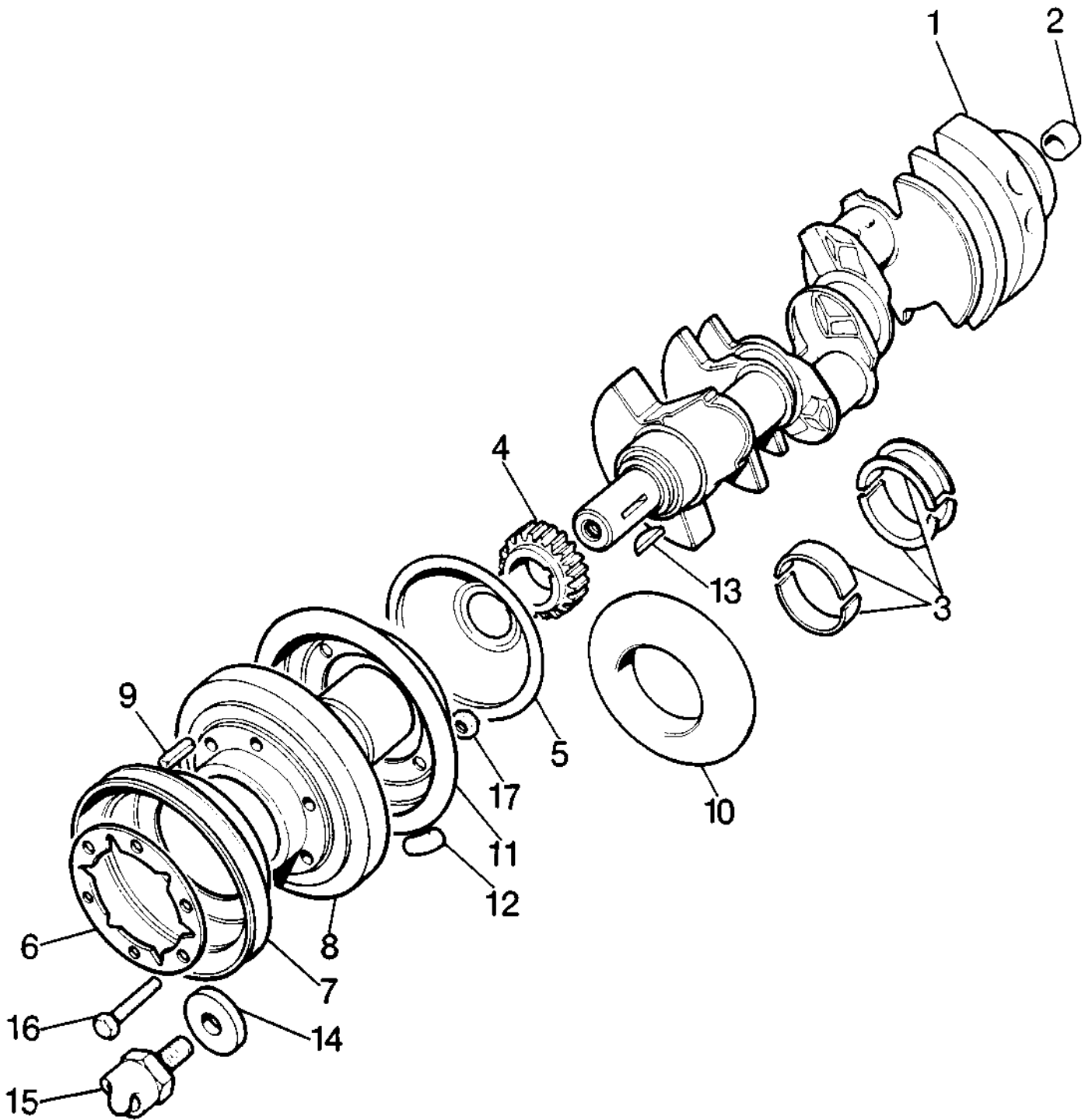
5RE65

ENGINE—Crankcase Sump

Plate										
Ref.	1	2	3	4	DESCRIPTION		Qty	Part No.	REMARKS	
1							1	612980		
2							1	603659		
3							1	231578		
4							1	GEG539	✓	
5							16	602199		

* Asterisk indicates a new part which has not been used on any previous model.

ENGINE—Crankshaft



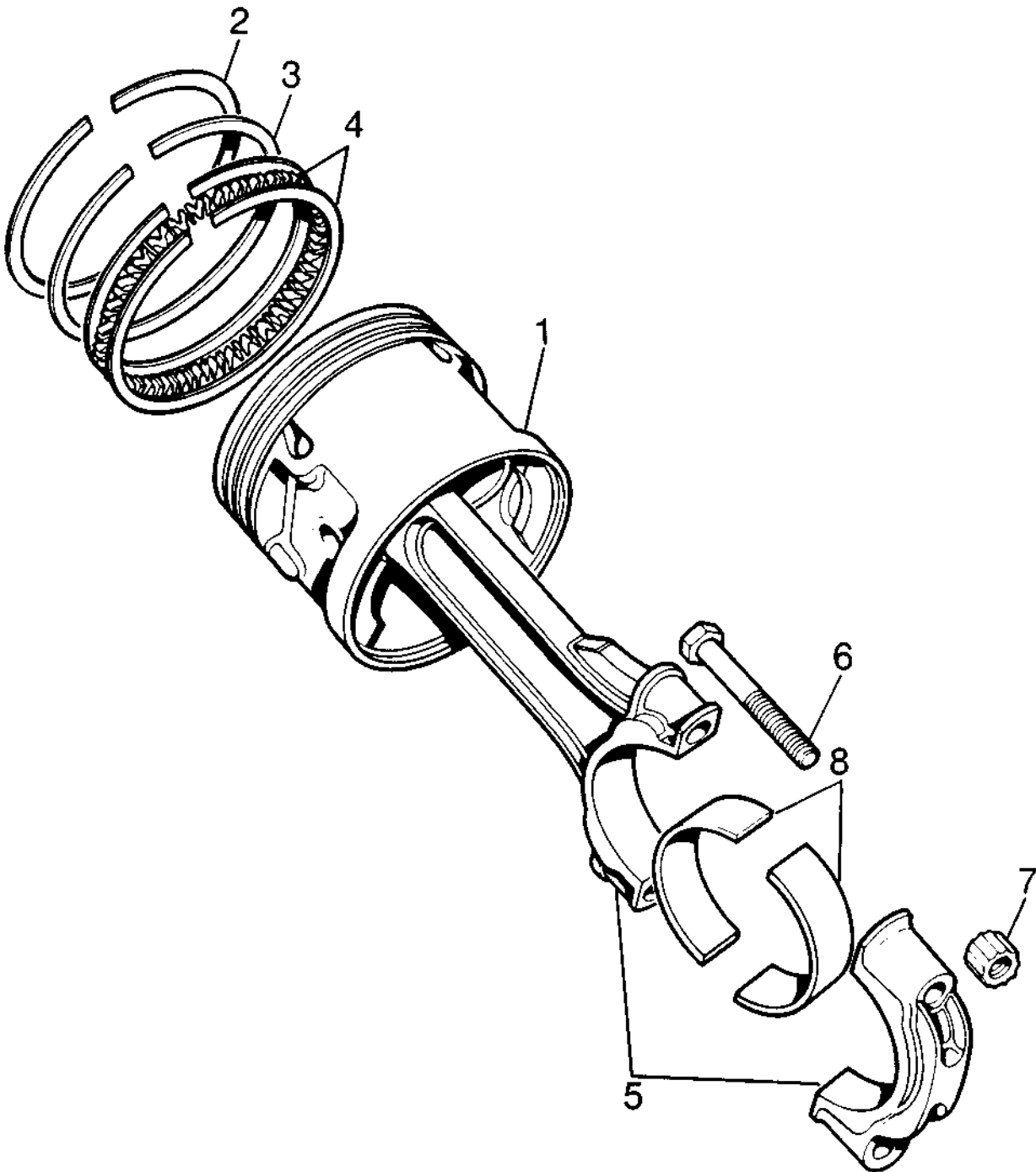
5RE86

ENGINE—Crankshaft

Plate Ref.	1	2	3	4	DESCRIPTION	Qty	Part No.	REMARKS
1					CRANKSHAFT ASSEMBLY, STD	1	612990	
2					Bush for crankshaft	1	549911	
3					Main bearings, Std engine set	1	RTC1718	
					Main bearings, 0-020" U/S engine set	1	RTC1718020	
4					Chain wheel on crankshaft	1	90602372	
5					Oil thrower on crankshaft	1	602046	
6					Reinforcing plate	1	602587	
7					Pulley	1	611019	12 volt model
					Pulley	1	613005*	24 volt model
8					Vibration damper	1	613669*	
9					Spring dowel pin for vibration damper	1	603535	
10					Mud deflector	1	613671*	
11					Balancing rim	1	603301	
12					Balance weight, 0-519"	1	603523	} For rim
				Balance weight, 1-038"	1	603524		
				Balance weight, 1-557"	1	603525		
				Balance weight, 2-076"	1	603526		
13					Key	1	90602025	
14					Plain washer	1	602411	} Fixing vibration damper to crankshaft
15					Starter dog	1	610178	
16					Bolt ($\frac{5}{16}$ " UNF \times $1\frac{1}{2}$ ")	3	256222	} 12 volt
17					Nut ($\frac{5}{16}$ " UNF)	3	254831	
					Bolt ($\frac{5}{16}$ " UNF \times $1\frac{1}{2}$ ")	6	256024	} 24 volt
					Nut ($\frac{5}{16}$ " UNF)	6	254831	

* Asterisk indicates a new part which has not been used on any previous model.

ENGINE—Connecting Rods and Pistons



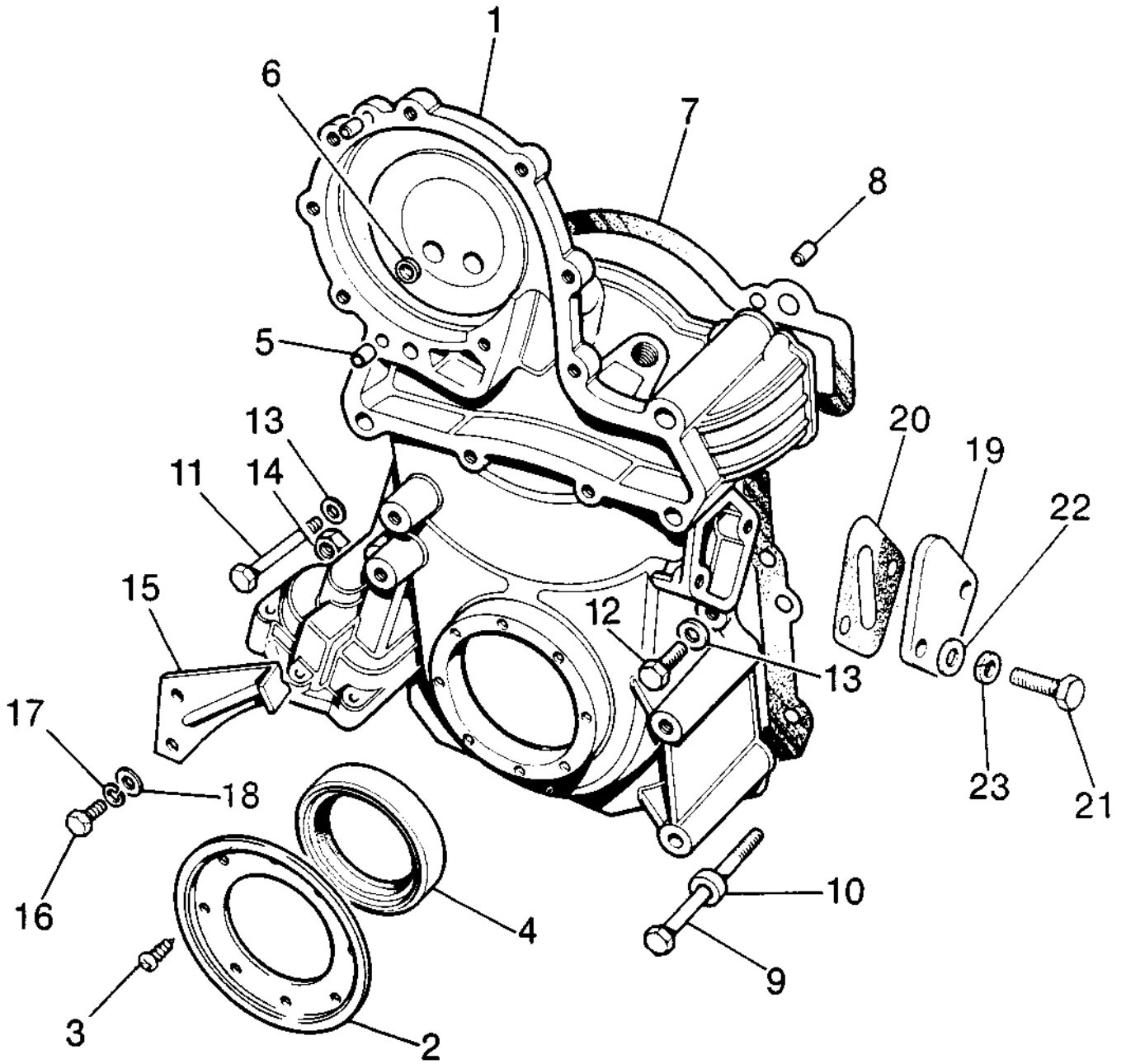
5RE93

ENGINE—Connecting Rods and Pistons

Plate								
Ref.	1	2	3	4	DESCRIPTION	Qty	Part No.	REMARKS
1					PISTON ASSEMBLY, STD	8	606962	
					PISTON ASSEMBLY, 0.020" O/S	8	606964	
2					Piston ring, compression, upper, Std	8	610757	
					Piston ring, compression, upper, 0.020" O/S	8	611482	
3					Piston ring, compression, lower, Std.	8	90602056	
					Piston ring, compression, lower, 0.020" O/S	8	603454	
4					Piston ring, scraper, Std	8	614820	
					Piston ring, scraper, 0.020" O/S	8	614822	
5					CONNECTING ROD ASSEMBLY	8	602082	
6					Special bolt	16	602609	
7					Self-locking nut	16	602061	
8					Connecting rod bearing, Std	1	RTC2117	} Engine sets
					Connecting rod bearing, 0.020" U/S	1	RTC2117020	

* Asterisk indicates a new part which has not been used on any previous model.

ENGINE—Front Cover



ENGINE—Front Cover

Plate Ref.	1	2	3	4	DESCRIPTION	Qty	Part No.	REMARKS
1					FRONT COVER ASSEMBLY	1	90613793	
2					Mud excluder	1	247766	
3					Drive screw fixing mud excluder	8	78782	
4					Oil seal for crankshaft	1	90516028	
5					Dowel	2	602201	
6					Cup plug	1	610988	
7					Gasket for front cover	1	603775	
8					Dowel	2	602202	
9					Bolt ($\frac{5}{16}$ " UNC×3.82")	1	602388	} Fixing front cover to cylinder block
10				Plain washer	1	4873		
11				Bolt ($\frac{5}{16}$ " UNC×3")	1	254030		
12				Bolt ($\frac{5}{16}$ " UNC×1.12")	2	253029		
13				Plain washer	4	2920		
14				Nut ($\frac{5}{16}$ " UNF)	1	254831		
15					Timing pointer	1	612871	
16					Bolt ($\frac{1}{4}$ " UNC× $\frac{5}{8}$ ")	2	253206	} Fixing timing pointer to front cover
17				Spring washer	2	WM600041		
18				Plain washer	1	RTC609		
19					Blanking plate for fuel pump aperture	1	610030	
20					Gasket for blanking plate	1	602180	
21					Bolt ($\frac{5}{16}$ " UNC×1 $\frac{1}{8}$ ")	2	253029	} Blanking plate to front cover
22				Plain washer	2	2920		
23				Spring washer	2	WM600051		

* Asterisk indicates a new part which has not been used on any previous model.

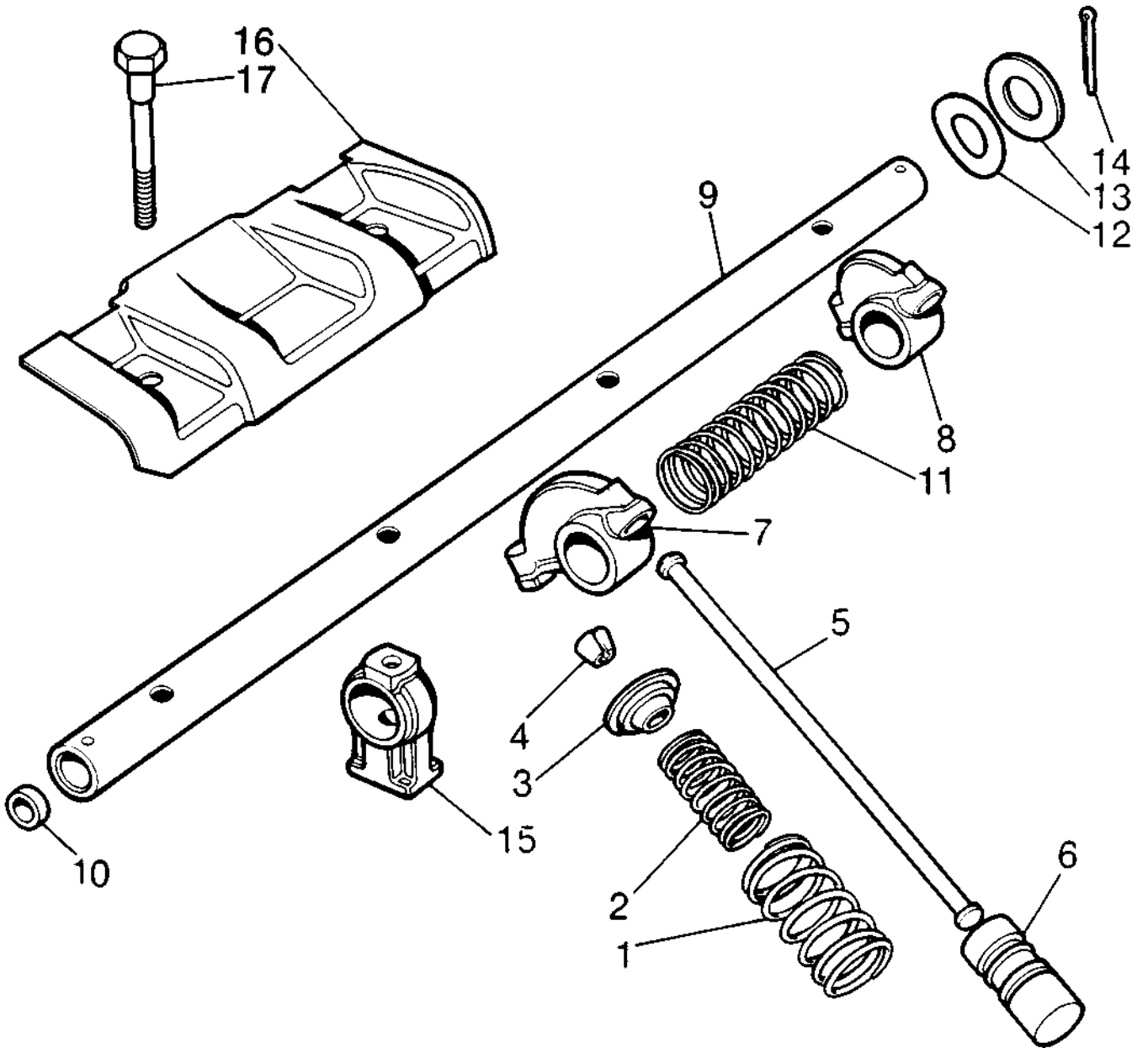
ENGINE—Oil Pump

Plate Ref.	1	2	3	4	DESCRIPTION	Qty	Part No.	REMARKS
					OIL PUMP COVER ASSEMBLY	1	ERC1243*	
1					Oil pump cover	1	ERC1244*	
2					Threaded insert	1	ERC1240*	
3					Oil pressure relief valve	1	90602064	
4					Spring for relief valve	1	602067	
5					Joint washer for relief valve cap	1	603521	
6					Cap for relief valve	1	602071	
7					Plug	1	90614848	
8					Joint washer for plug	1	243968	
9					Strainer	1	610915	
10					Blanking plug (½" UNF)	2	517689	
11					Joint washer for blanking plug	2	243967	
12					Adaptor for oil pressure indicator switch	1	90613717*	
13					Joint washer for cap	1	603521	
14					Oil pressure switch	1	589470	
15					Gasket for oil pump cover	1	90602072	
16					Oil pump shaft and gear	1	602018	
17					Oil pump idler gear	1	602017	
18					Bolt (¼" UNC×1½")	3	254005	
19					Bolt (¼" UNC×2½")	1	254008	
20					Bolt (¼" UNC×2¾")	1	254010	
21					Bolt (¼" UNC×2½")	1	254009	
22					Spring washer	6	WM600041	
23					Plain washer	6	3912	
24					Oil filter	1	ERC1265*	

} Fixing oil pump cover to front cover

* Asterisk indicates a new part which has not been used on any previous model.

ENGINE—Valve Gear



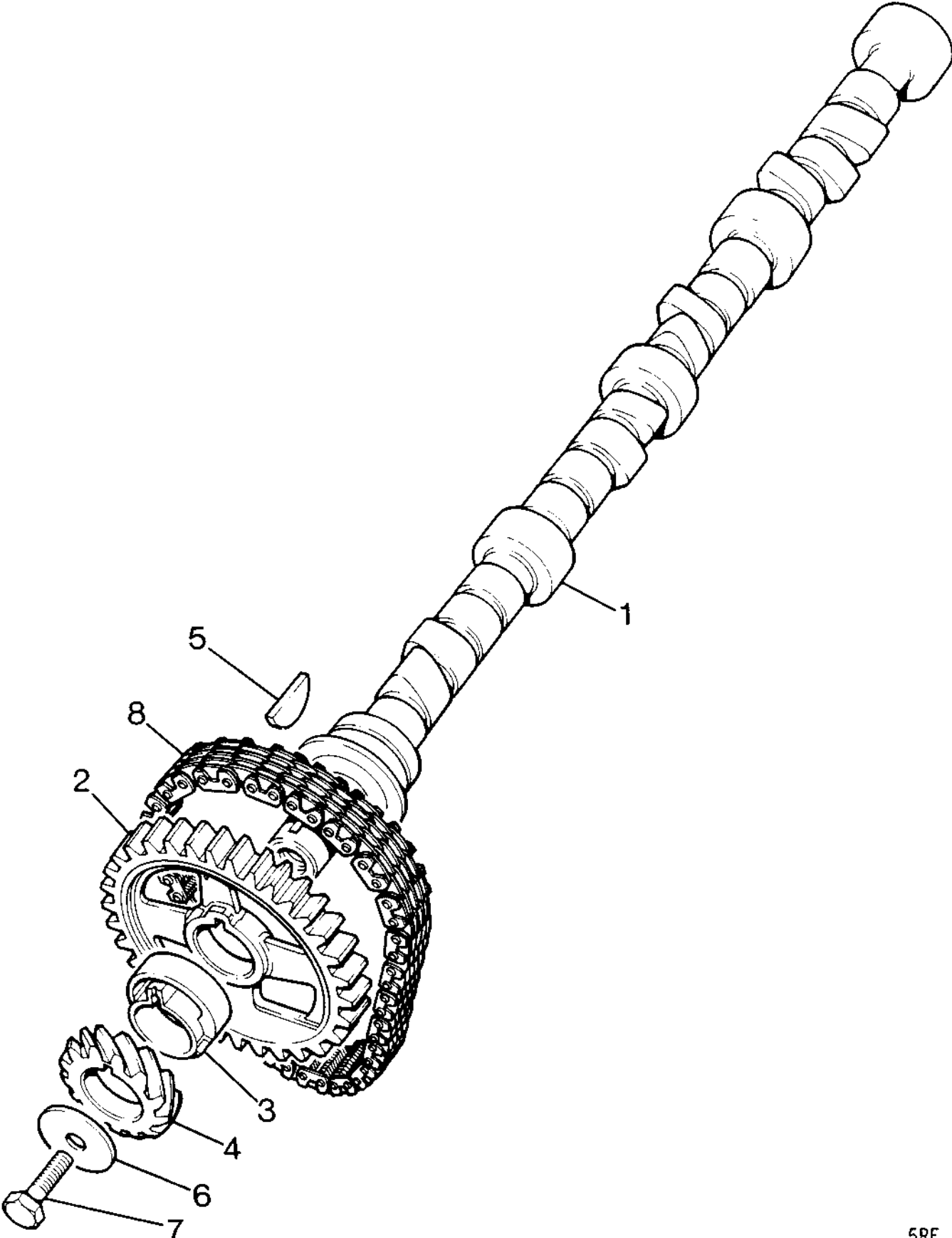
5RE148

ENGINE—Valve Gear

Plate Ref.	1	2	3	4	DESCRIPTION	Qty	Part No.	REMARKS
1					Valve spring, outer	16	602240	
2					Valve spring, inner	16	602241	
3					Cap for valve spring	16	90602451	
4					Valve cotter (sets)	16	ERC1637	
5					Push rod	16	603378	
6					Hydraulic tappet	16	602187	
7					Valve rocker, RH	8	602153	
8					Valve rocker, LH	8	602154	
9					ROCKER SHAFT ASSEMBLY	2	606661	
10					Plug for rocker shaft	4	610988	
11					Spring for valve rocker shaft	6	602142	
12					Spring, rocker shaft end	4	602148	
13					Washer } For valve	4	602186	
14					Split pin } rocker shafts	4	3414	
15					Bracket for rocker shaft	8	603734	
16					Oil baffle for rocker arm	2	602172	
17					Special bolt fixing bracket to cylinder head	8	602097	

* Asterisk indicates a new part which has not been used on any previous model.

ENGINE—Camshaft

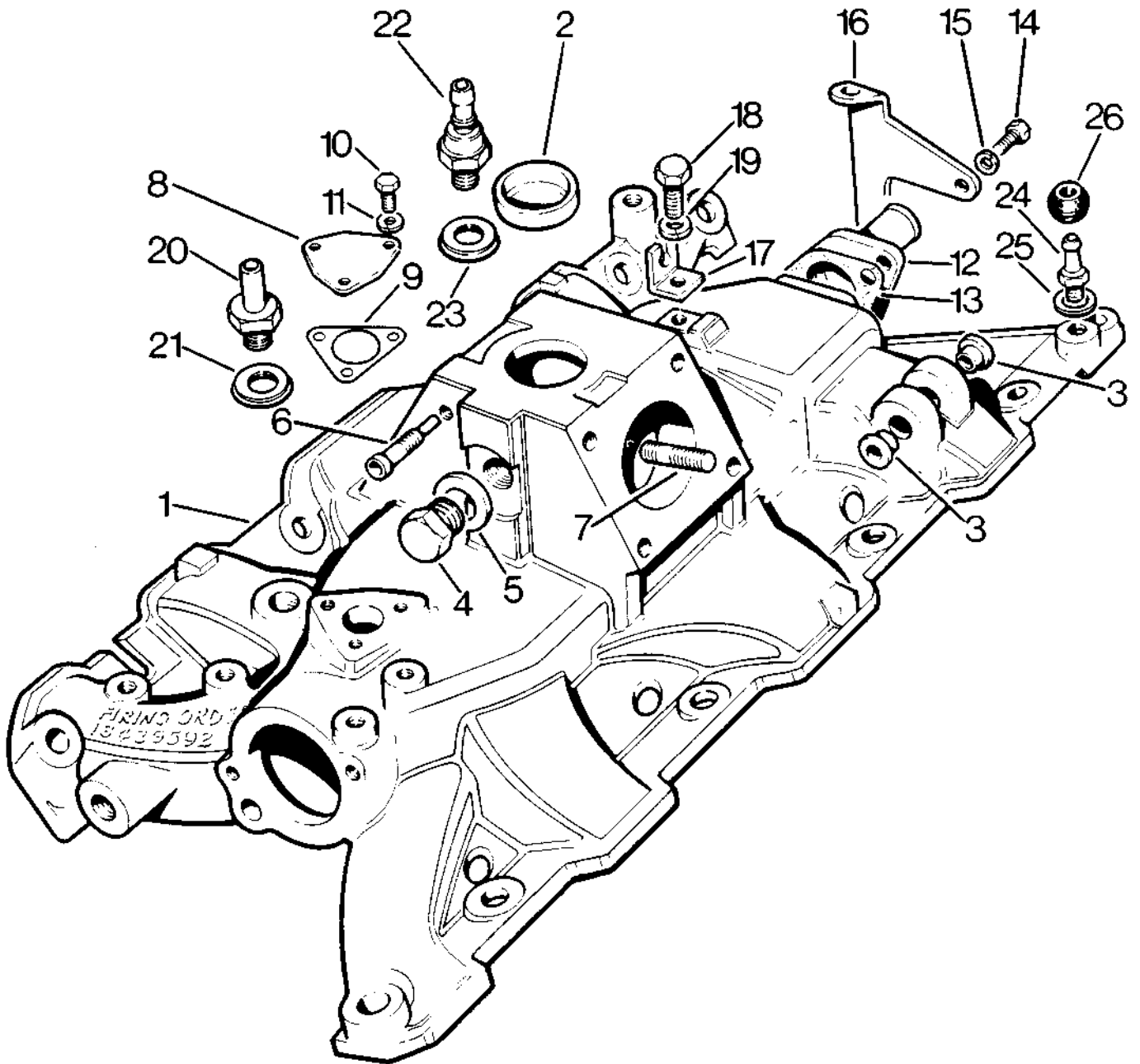


ENGINE—Camshaft

Plate														
Ref.	1	2	3	4	DESCRIPTION		Qty	Part No	REMARKS					
1	Camshaft	1	603724					
2	Chain wheel for camshaft	1	610289					
3	Cam for fuel pump drive	1	602149					
4	Gear, distributor drive	1	602159					
5	Key	} Fixing chain wheel cam and gear to camshaft					1	90602025				
6	Washer						1	602610	
7	Special bolt						1	602227	
8	Timing chain	1	90602371					

* Asterisk indicates a new part which has not been used on any previous model.

ENGINE—Inlet Manifold



5RE81

ENGINE—Inlet Manifold

Plate									
Ref.	1	2	3	4	DESCRIPTION	Qty	Part No.	REMARKS	
1					INLET MANIFOLD	1	90613501*		
2					Plug, 1.5" dia.	2	602152		
3					Bush for countershaft	2	522932		
4					Plug } Sealing redundant	2	603224		
5					Joint washer for plug } hole	2	232043		
6					Air bleed adaptor	1	603920		
7					Stud ($\frac{5}{16}$ " UNF/UNC) for carburetter	8	252514		
8					Blanking plate	1	598006		
9					Joint washer for blanking plate	1	236022		
10					Set screw (10 UNC $\times\frac{7}{8}$ ") } Blanking plate	3	257064		
11					Spring washer } to manifold	3	WM702001		
12					Outlet pipe for heater	1	ERC649*		
13					Gasket for outlet pipe	1	603441		
14					Set bolt ($\frac{1}{2}$ " UNC $\times\frac{3}{4}$ ") } Fixing outlet	2	253007		
15					Spring washer } pipe to manifold	2	WM600041		
16					Anchor bracket for countershaft spring	1	603561		
17					Abutment bracket for accelerator cable	1	603186		
18					Set bolt ($\frac{1}{2}$ " UNC $\times\frac{5}{8}$ ") } Fixing abutment	1	253206		
19					Spring washer } bracket to manifold	1	WM600041		
20					Adaptor plug for vacuum take-off	1	90613812*		
21					Joint washer for plug	1	232043		
22					Non-return valve for brake servo	1	13H9216		
23					Joint washer for non-return valve	1	232043		
24					Peg for air inlet duct	2	603408		
25					Plain washer for peg	2	RTC610		
26					Rubber grommet air cleaner ducts	2	603851		

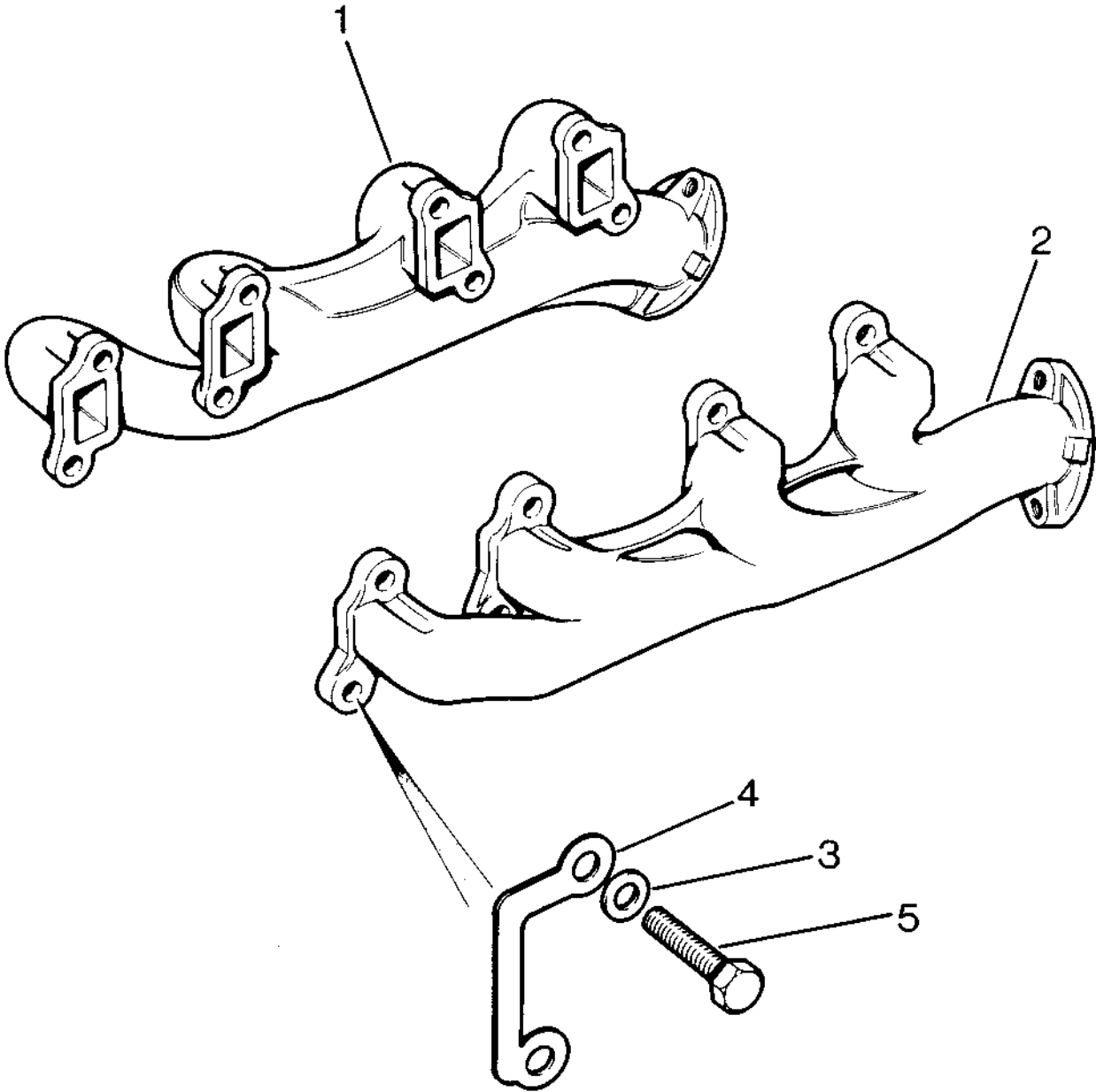
* Asterisk indicates a new part which has not been used on any previous model.

ENGINE—Inlet Manifold Fixings and Thermostat

Plate Ref.	1	2	3	4	DESCRIPTION	Qty	Part No.	REMARKS	
1					Gasket for inlet manifold	1	GEG665		
2					Seal for gasket	2	GEG645		
3					Clamp	2	602076		
4					Bolt and spring washer fixing clamp and gasket to cylinder block	2	602236		
5					Bolt ($\frac{3}{8}$ " UNC \times $1\frac{1}{2}$ " long)	}	9	254041	} Fixing inlet manifold to cylinder head
6				Bolt ($\frac{3}{8}$ " UNC \times $1\frac{5}{16}$ " long)	1		90611504		
7				Bolt ($\frac{3}{8}$ " UNC \times $1\frac{3}{4}$ " long)	2		254043		
8					Plain washer	12	2204		
9					Thermostat	1	GTS104		
10					Water outlet elbow	1	613762*		
11					Gasket for outlet elbow	1	GTG116		
12					Bolt ($\frac{5}{16}$ " UNC \times $\frac{7}{8}$ " long)	}	2	253027	} Fixing outlet elbow to manifold
13					Spring washer		2	WM600051	
14					Hose for thermostat by-pass	1	614435	} Not part of engine assembly	
15					Hose clip fixing hose to front cover and elbow	2	GHC709		
16					Blanking plug	1	603224	} Blanking transmitter hole	
17					Joint washer	1	232043		

* Asterisk indicates a new part which has not been used on any previous model.

ENGINE—Exhaust Manifold



5RE209

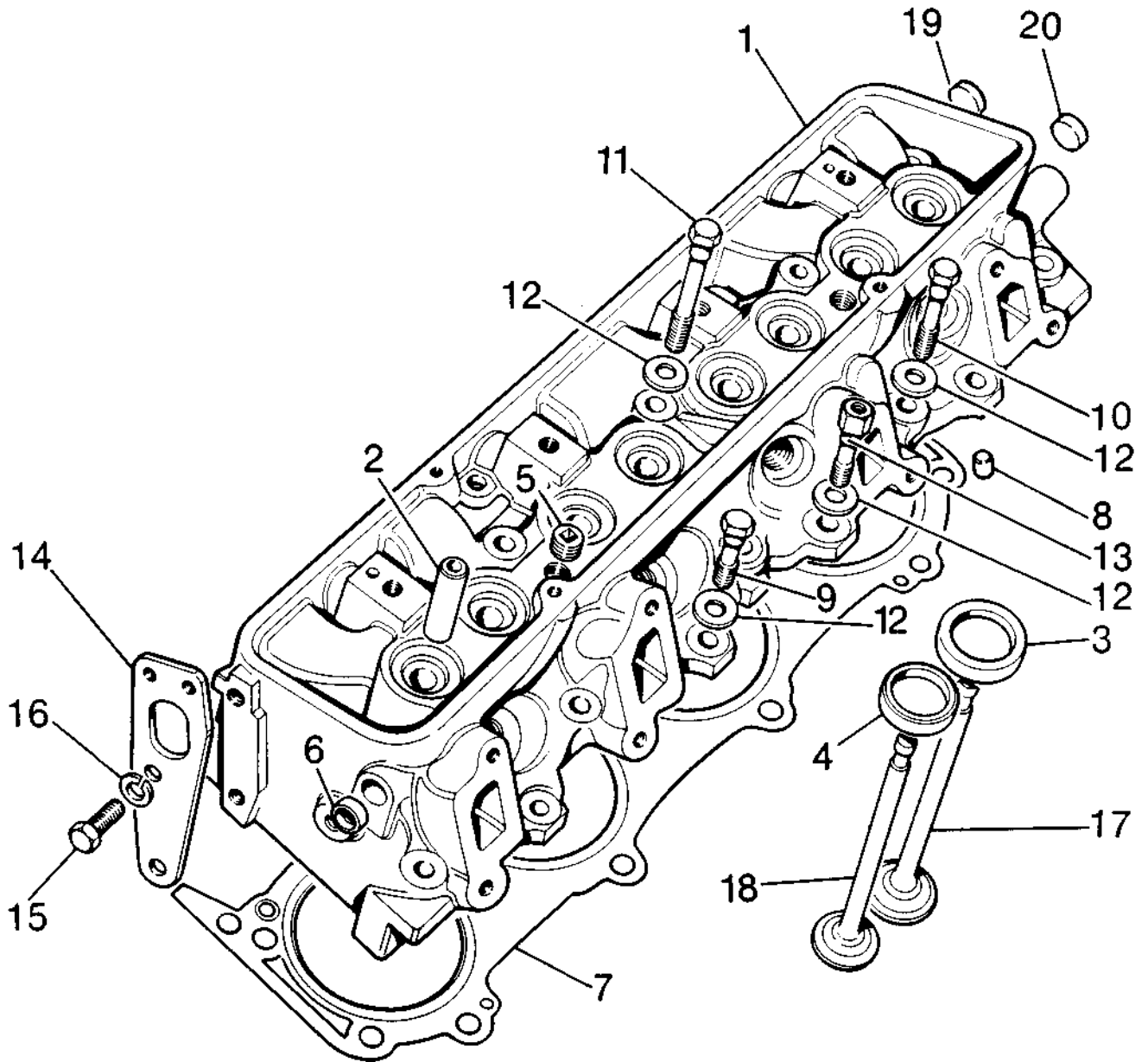
ENGINE—Exhaust Manifold

Plate								
Ref.	1	2	3	4	DESCRIPTION	Qty	Part No.	REMARKS
1					Exhaust manifold, RH	1	ERC814*	
2					Exhaust manifold, LH	1	ERC813*	
3					Plain washer	16	3036	
4					Locking plate	8	90613659	
5					Bolt ($\frac{3}{8}$ " UNC \times $1\frac{1}{8}$ ")	16	253048	

} Fixing exhaust manifold to cylinder heads

* Asterisk indicates a new part which has not been used on any previous model.

ENGINE—Cylinder Heads

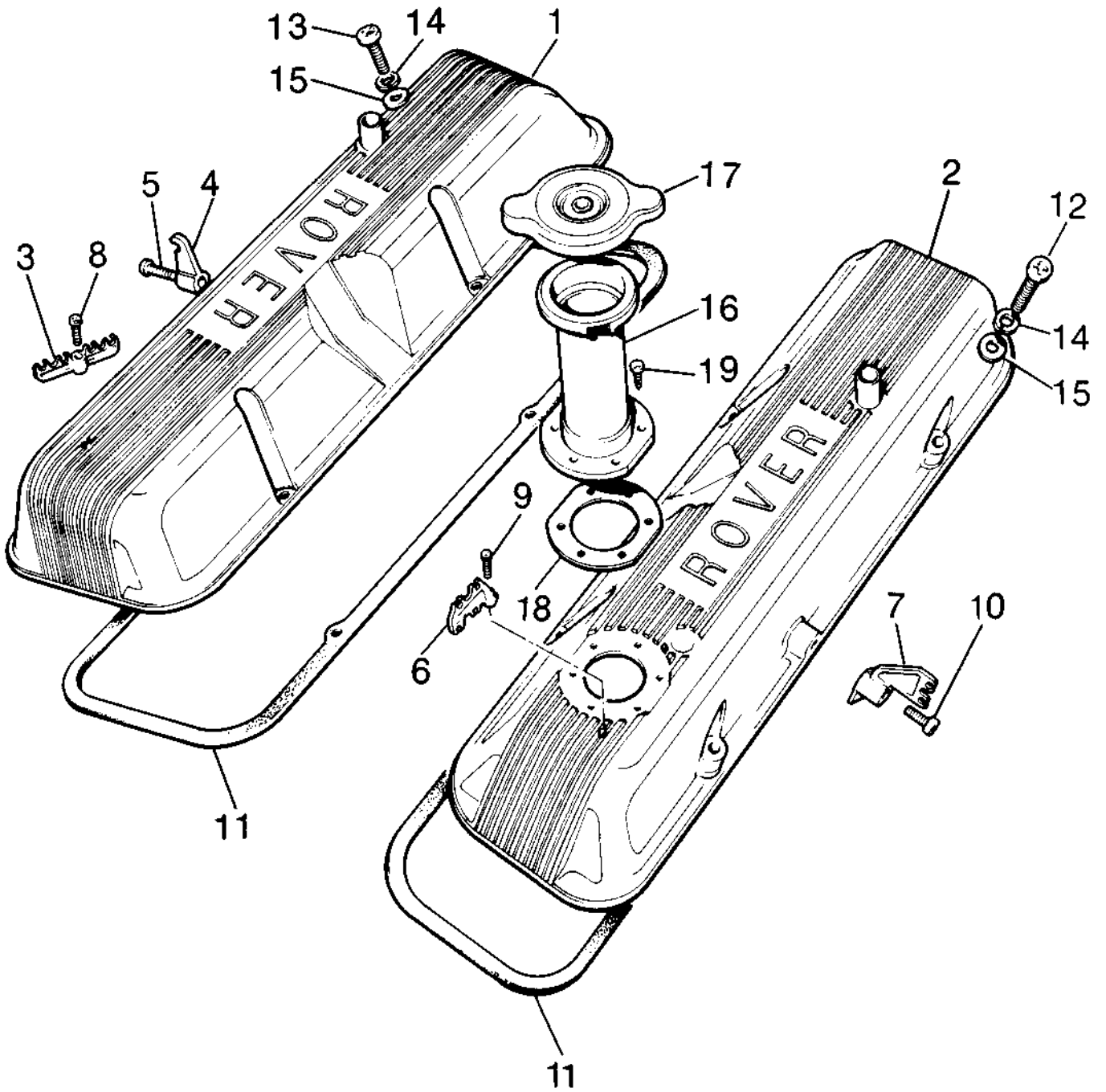


ENGINE—Cylinder Heads

Plate Ref.	1	2	3	4	DESCRIPTION	Qty	Part No.	REMARKS
1					CYLINDER HEAD ASSEMBLY	2	614642	
2					Valve guide	16	603554	
3					Valve seat insert, inlet, Std	8	602052	
					Valve seat insert, inlet, 0-010" O/S	8	602223	
					Valve seat insert, inlet, 0-020" O/S	8	602224	
4					Valve seat insert, exhaust, Std	8	614639	
					Valve seat insert, exhaust, 0-010" O/S	8	614640	
					Valve seat insert, exhaust, 0-020" O/S	8	614641	
5					Core plug, threaded	4	602123	
6					Cup plug	4	602289	
7					Gasket for cylinder head	2	GEG340	
8					Dowel	4	602040	
9					Special bolt (2-28" long)	8	602191	} Fixing cylinder heads to cylinder block
10				Special bolt (2-74" long)	13	602192		
11				Special bolt (3-94" long)	6	602193		
12				Special washer	28	602098		
13				Special bolt	1	90614584*		
14					Front lifting bracket on LH head	1	603031	Not part of engine assembly
15					Bolt ($\frac{3}{8}$ " UNC x $\frac{7}{8}$ " long)	2	253046	} Fixing front lifting bracket to cylinder head
16					Spring washer	2	WM600061	
17					Inlet valve	8	602166	
18					Exhaust valve	8	602165	
19					Plug	5	596840*	} Filling unwanted holes in cylinder head
20					Plug	1	596841*	

* Asterisk indicates a new part which has not been used on any previous model.

ENGINE—Rocker Covers



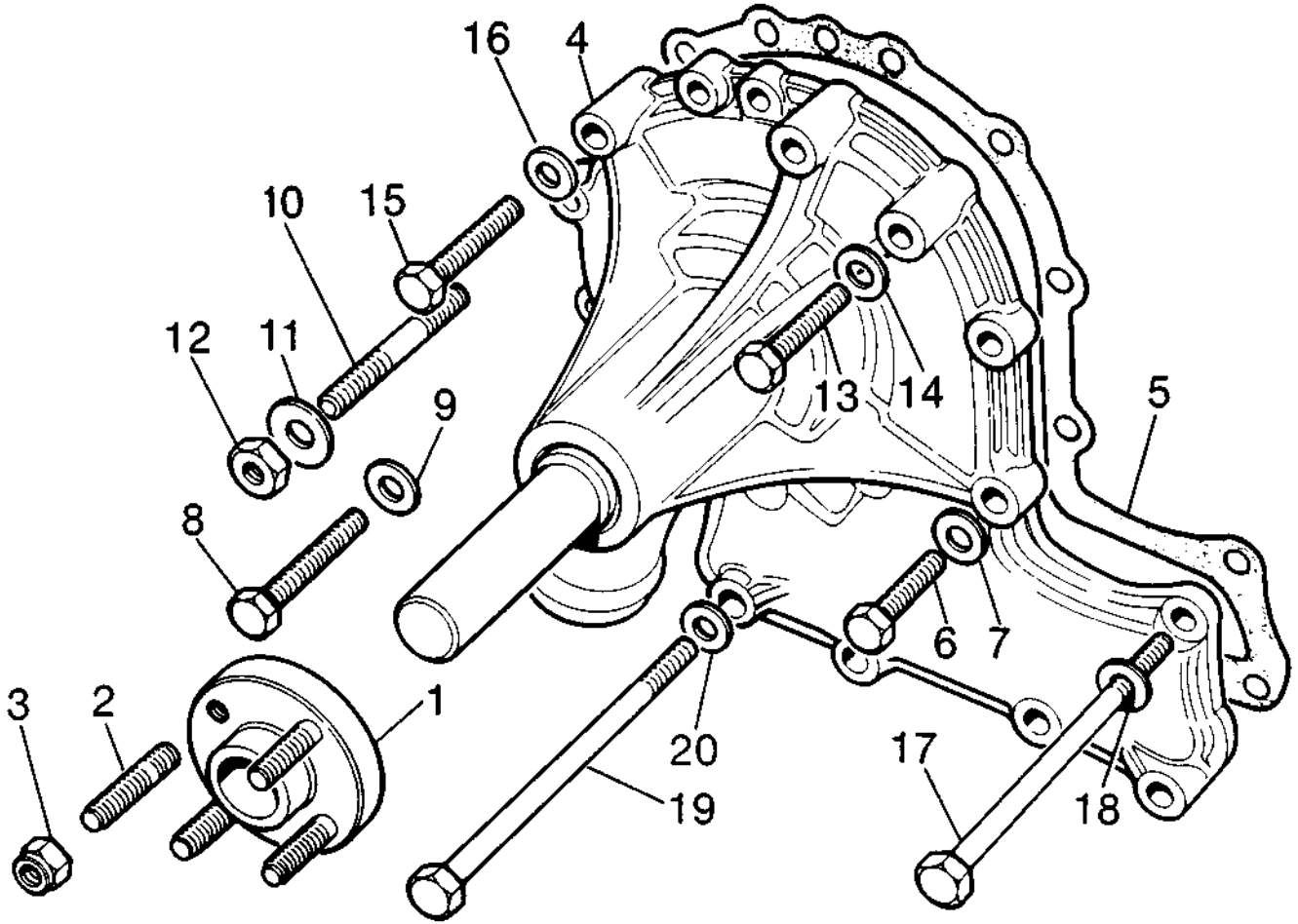
5RE146

ENGINE—Rocker Covers

Plate Ref.	1	2	3	4	DESCRIPTION	Qty	Part No.	REMARKS
1					Rocker cover assembly, RH	1	608002*	
2					Rocker cover assembly, LH	1	608003*	
3					Retainer for spark plug leads on top of RH rocker cover	1	603672	12 volt
4					Retainer for spark plug leads on side of RH rocker cover	1	587477	12 volt
5					Blanking screw—retainer hole	2	79142	24 volt
6					Retainer for spark plug cables	1	612821*	} 12 volt
7					Retainer for spark plug cables } LH cover	1	612822*	
8					Screw (10 UNC× $\frac{1}{2}$ ") fixing retainer (RH cover)	2	78862	
9					Screw (10 UNC× $\frac{1}{2}$ ") fixing retainer	1	78862	
10					Screw (10 UNC× $\frac{5}{8}$ ") fixing retainer	1	78861	
11					Gasket for rocker cover	2	GEG436	
12					Screw ($\frac{1}{2}$ " UNF× $1\frac{5}{16}$ ")	4	603127	} Fixing rocker cover to cylinder heads
13					Screw ($\frac{1}{2}$ " UNC× $\frac{7}{8}$ ")	4	602530	
14					Spring washer	8	WM600041	
15					Plain washer	8	3911	
16					Oil filler pipe	1	612817*	
17					Oil filler cap	1	598231*	
18					Gasket	1	612819*	} Oil filler pipe to LH cover
19					Drive screw (No. 8× $\frac{1}{2}$ ")	6	534907	
					Plug filling redundant hole in LH rocker cover	1	266339	24 volt

* Asterisk indicates a new part which has not been used on any previous model.

ENGINE—Water Pump



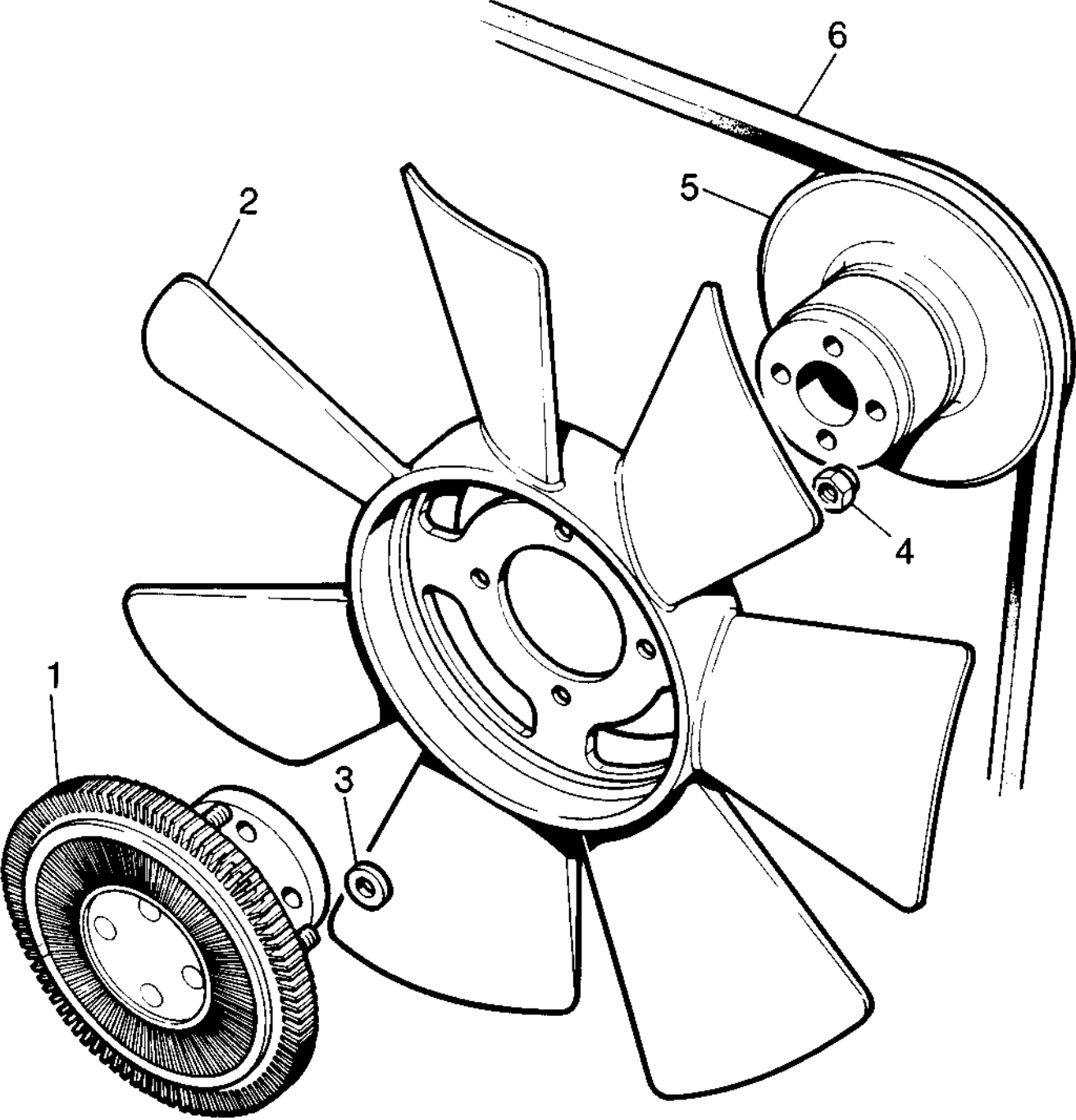
5RE90

ENGINE—Water Pump

Plate Ref.	1	2	3	4	DESCRIPTION	Qty	Part No.	REMARKS
1					HUB ASSEMBLY FOR VISCOUS UNIT	1	614872*	
2					Stud ($\frac{5}{16}$ " UNF \times 1 $\frac{19}{32}$)	4	500733	
3					Self-locking ($\frac{5}{16}$ " UNF) hub to fan drive coupling	4	540688	
4					Water pump	1	ERC2893*	
5					Gasket for water pump	1	612326	
6					Bolt ($\frac{1}{4}$ " UNC \times 1 $\frac{1}{2}$ "	6	254001	} Fixing water pump to front cover
7					Plain washer	6	2203	
8					Bolt ($\frac{1}{4}$ " UNC \times 2"	1	254007	
9					Plain washer	1	2203	
10					Stud ($\frac{5}{16}$ " UNC/UNF \times 2 $\frac{1}{8}$ "	1	252516	
11					Plain washer	1	4047	
12					Locknut ($\frac{5}{16}$ " UNF)	1	254881	
13					Bolt ($\frac{1}{4}$ " UNC \times 2 $\frac{1}{2}$ "	2	254008	
14					Plain washer	2	2203	
15					Bolt ($\frac{5}{16}$ " UNC \times 1 $\frac{1}{2}$ "	1	254022	
16					Plain washer	1	4047	} Fixing water pump and front cover to block
17					Bolt ($\frac{5}{16}$ " UNC \times 4 $\frac{3}{4}$ "	1	254037	
18					Plain washer	1	2920	
19					Bolt ($\frac{5}{16}$ " UNC \times 5"	4	254038	
20					Plain washer	4	2920	

* Asterisk indicates a new part which has not been used on any previous model.

ENGINE—Viscous Drive Unit and Fan

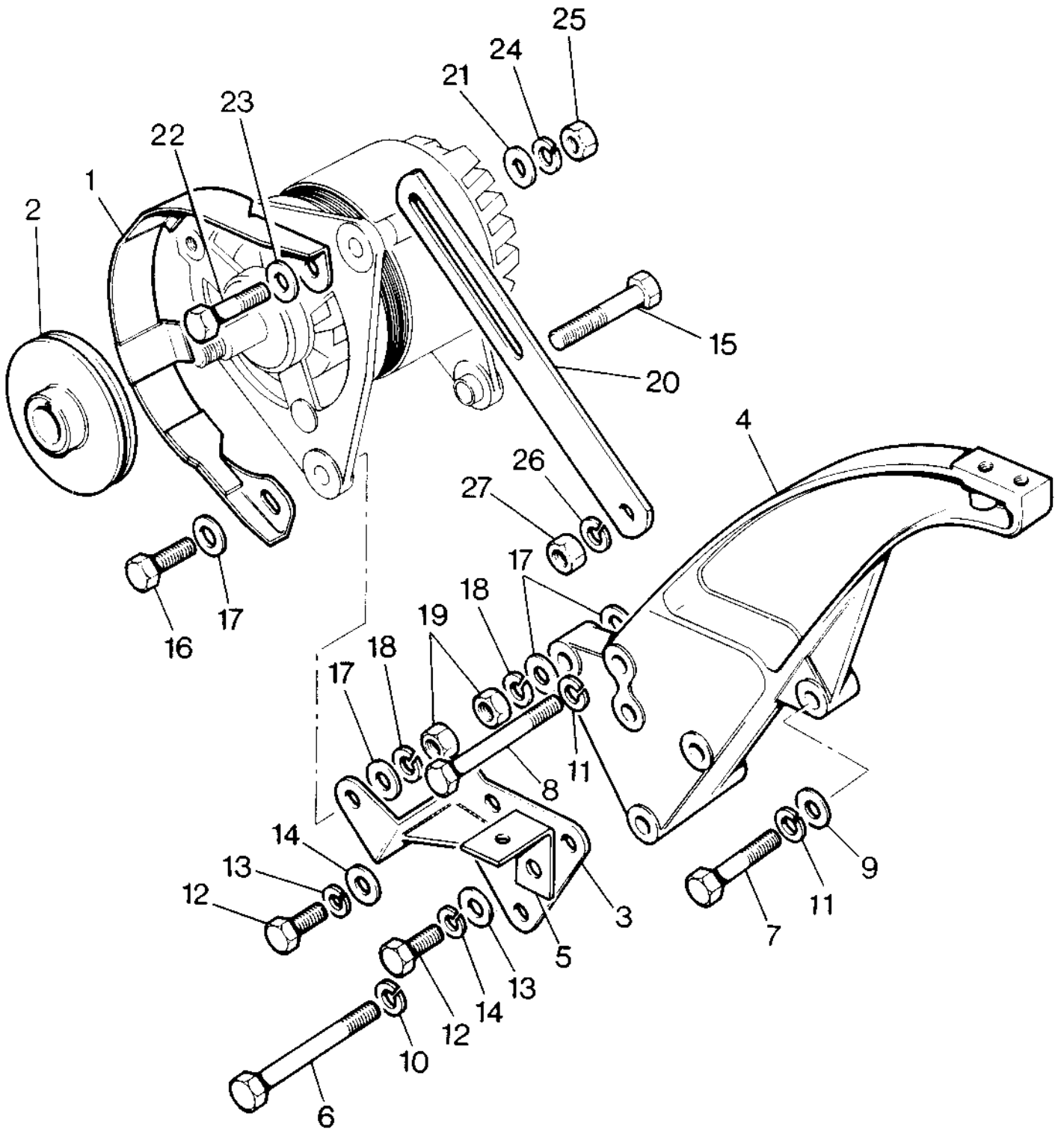


ENGINE—Viscous Drive Unit and Fan

Plate				DESCRIPTION	Qty	Part No.	REMARKS
Ref.	1	2	3 4				
1				Fan drive coupling (viscous unit)	1	ERC1195*	
2				Fan	1	614723*	
3				Spacer	4	2920	Fan drive coupling
4				Self-locking nut ($\frac{5}{16}$ " UNF)			
5				Pulley for fan and water pump	1	614368*	12 volt models
				Pulley for fan and water pump	1	614370*	24 volt models
6				Driving belt for fan, water pump and alternator	1	GFB211	12 volt models
				Driving belt for fan and water pump	1	613808*	24 volt models

* Asterisk indicates a new part which has not been used on any previous model.

ENGINE—Alternator Fixings (12 volt)

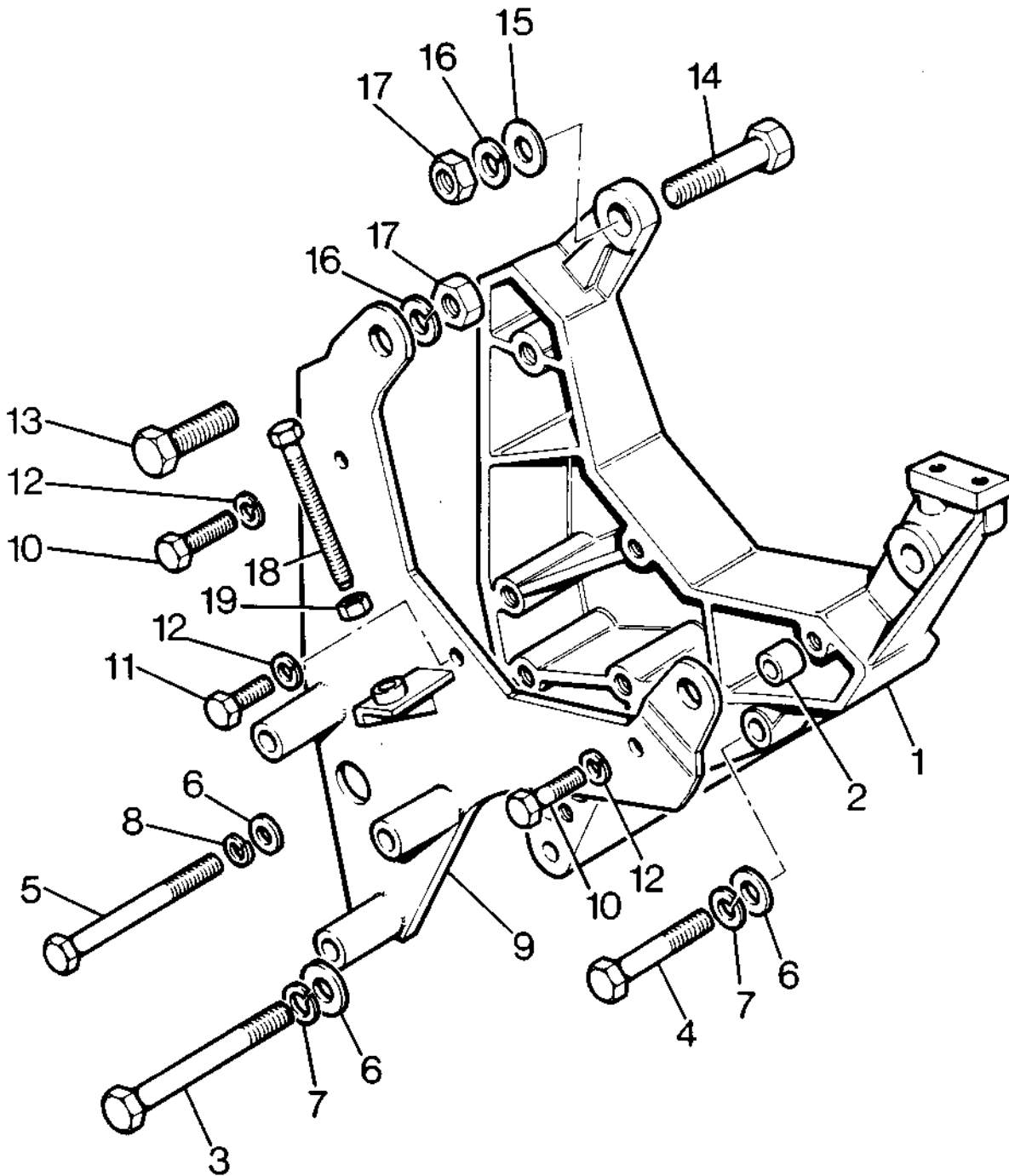


ENGINE—Alternator Fixings (12 volt)

Plate Ref.	1	2	3	4	DESCRIPTION	Qty	Part No.	REMARKS	
1					Guard for alternator fan	1	613138*		
2					Pulley for alternator	1	602505		
3					Support bracket for alternator	1	614159*		
4					Mounting bracket, alternator and gear lever bracket	1	614410*		
5					Bracket for cable clip	1	613620		
6					Bolt ($\frac{3}{8}$ " UNC \times 3 $\frac{1}{2}$ "	1	254051	} Mounting bracket to cylinder head	
7					Bolt ($\frac{3}{8}$ " UNC \times 2"	1	254045		
8					Bolt ($\frac{5}{16}$ " UNC \times 3 $\frac{1}{2}$ "	1	254031		
9					Plain washer	1	4094		
10					Spring washer	1	WM600061		
11					Spring washer	1	WM600051		
12					Screw ($\frac{5}{16}$ " UNC \times $\frac{3}{4}$ "	2	253026		} Support bracket to mounting bracket
13					Plain washer	2	4047		
14					Spring washer	2	WM600051		
15					Bolt ($\frac{5}{16}$ " UNF \times 2 $\frac{1}{2}$ "	1	256027		
16					Bolt ($\frac{5}{16}$ " UNF \times 2 $\frac{3}{4}$ "	1	255239	} Fixing alternator to mounting bracket	
17					Plain washer	3	3830		
18					Spring washer	2	WM600051		
19					Nut ($\frac{5}{16}$ " UNF)	2	254831		
20					Adjusting link for alternator	1	614938		
21					Plain washer for adjusting link	1	2266		
22					Bolt (M8 \times 30)	1	889881	} Adjusting link and fan guard to alternator	
23					Plain washer	1	4594		
24					Spring washer	1	WM600051		
25					Nut (M8)	1	853041		
26					Spring washer	1	WM600051	} Adjusting link to front cover	
27					Locknut ($\frac{5}{16}$ " UNF)	1	254881		

* Asterisk indicates a new part which has not been used on any previous model.

ENGINE—Alternator Fixings (24 volt)

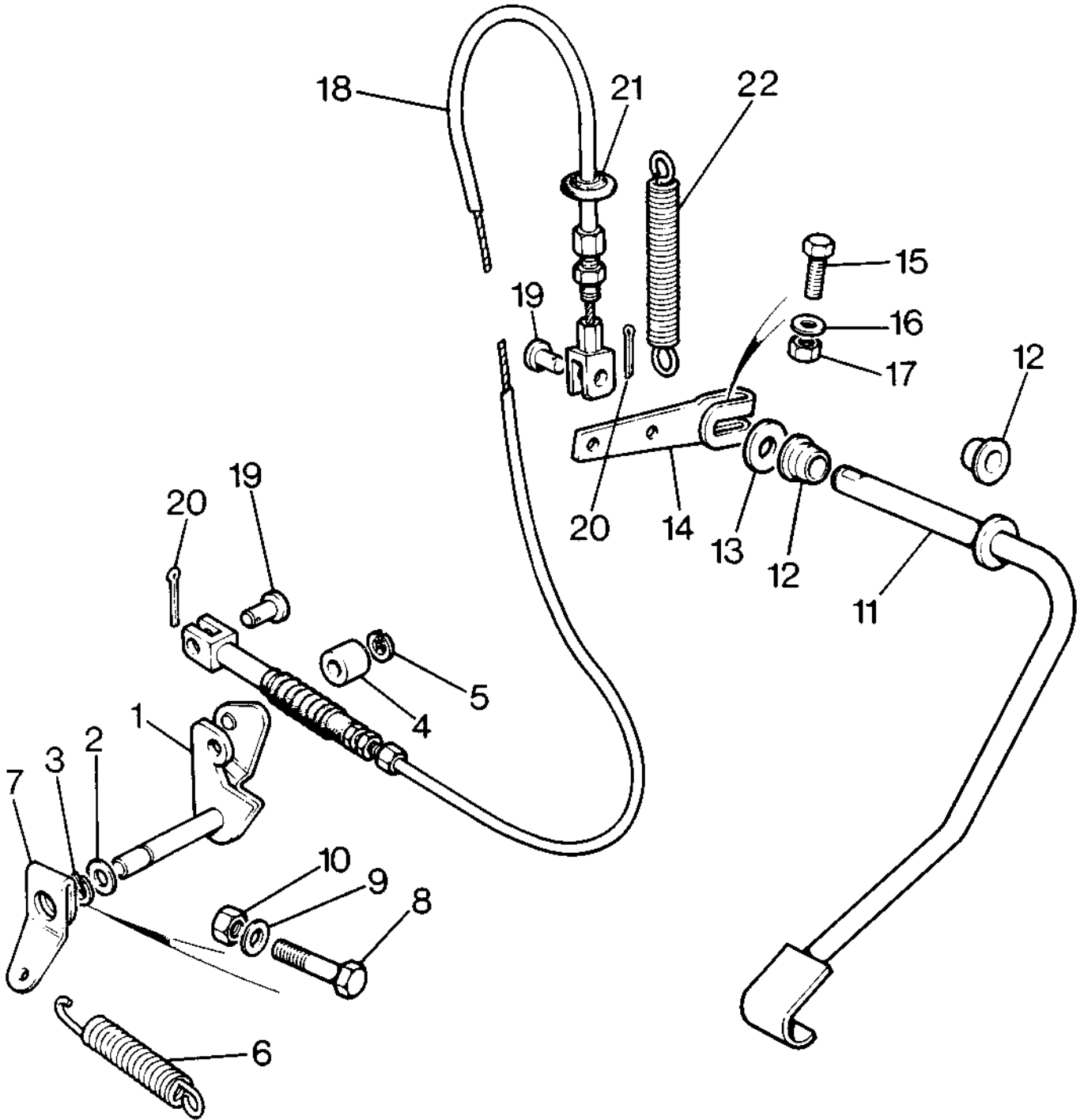


ENGINE—Alternator Fixings (24 volt)

Plate								
Ref.	1	2	3	4	DESCRIPTION	Qty	Part No.	REMARKS
1					Mounting bracket for alternator	1	90613761*	
2					Dowel for mounting bracket	2	613213*	
3					Bolt ($\frac{3}{8}$ " UNC×3 $\frac{1}{2}$ ")	1	254051	} Fixing mounting bracket to cylinder head
4					Bolt ($\frac{3}{8}$ " UNC×2")	1	254045	
5					Bolt ($\frac{5}{16}$ " UNC×3 $\frac{1}{2}$ ")	1	254031	
6					Plain washer ..	2	4094	
7					Spring washer ..	2	WM600061	
8					Spring washer ..	1	WM600051	
9					Support bracket for alternator	1	613211*	
10					Bolt ($\frac{5}{16}$ " UNC×1 $\frac{1}{8}$ ")	2	253029	
11					Bolt ($\frac{5}{16}$ " UNC× $\frac{7}{8}$ ")	1	253027	
12					Spring washer ..	3	WM600051	
13					Bolt ($\frac{1}{2}$ " UNF×1 $\frac{1}{2}$ ")	2	255089	} Fixing alternator to mounting and support brackets
14					Bolt ($\frac{1}{2}$ " UNF×2") ..	2	256083	
15					Plain washer ..	2	2205	
16					Spring washer ..	4	WM600081	
17					Nut ($\frac{1}{2}$ " UNF) ..	4	254824	
18					Special adjusting screw	1	90613017*	
19					Locknut ($\frac{5}{16}$ " UNF) for adjusting screw	1	254881	

* Asterisk indicates a new part which has not been used on any previous model.

ACCELERATOR—Lever and Linkage

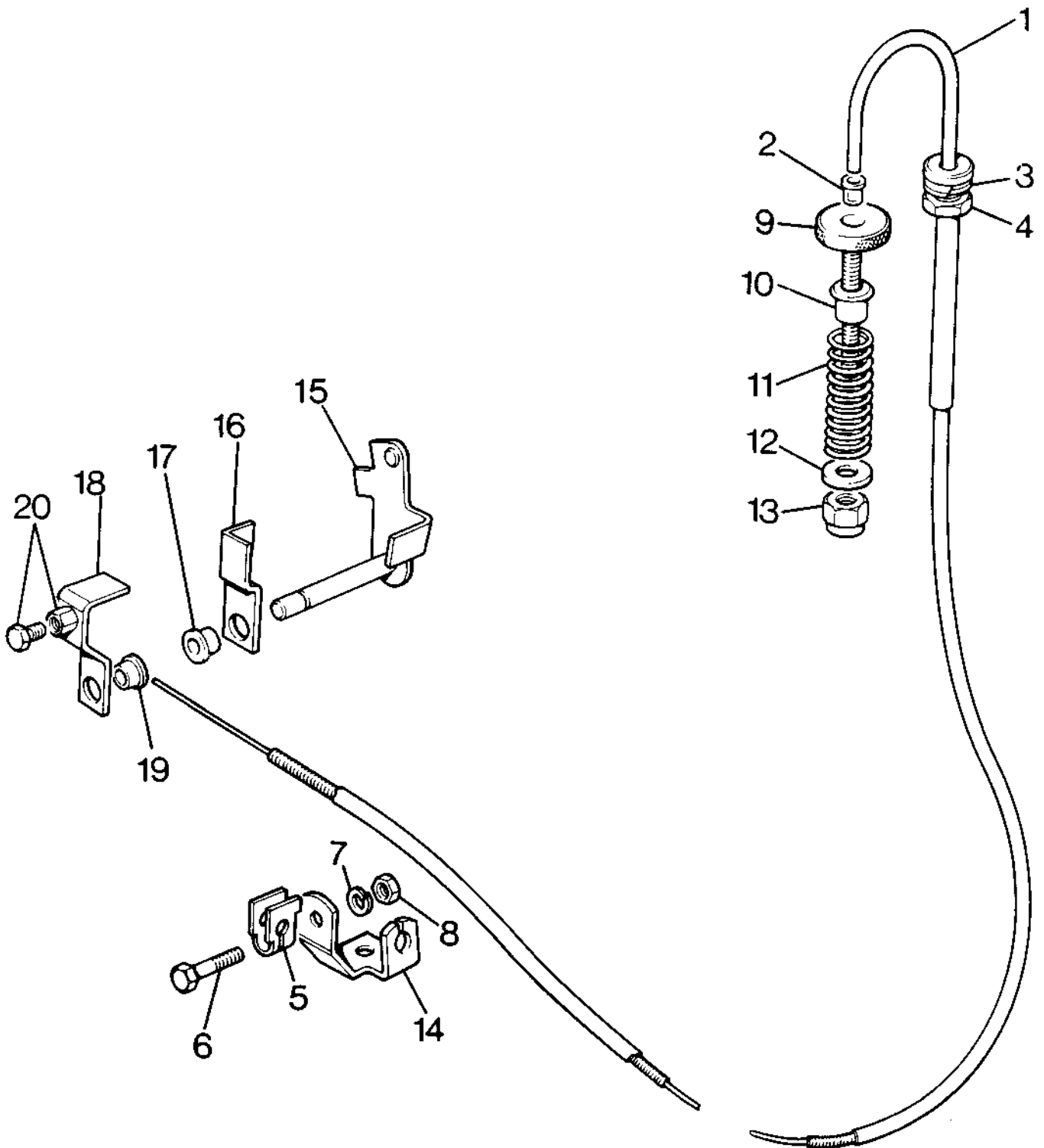


ACCELERATOR—Lever and Linkage

Plate				DESCRIPTION	Qty	Part No.	REMARKS
Ref.	1	2	3 4				
1				Countershaft and lever assembly	1	611349	
2				Washer } Countershaft lever assembly	1	4047	
3				Circlip } to manifold	1	521453	
4				Roller for countershaft	1	603237	
5				Circlip fixing roller	1	521452	
6				Spring, countershaft return	1	603622	
7				Lever for spring	1	541343	
8				Bolt (10 UNF × ¾") } Fixing	1	257020	
9				Plain washer } lever to	1	3902	
10				Nut, 10 UNF } countershaft	1	257023	
11				Accelerator pedal shaft assembly	1	594902*	
12				Bearing—lever pivot	2	594905*	
13				Plain washer	1	850425*	
14				Accelerator lever	1	NRC174	
15				Bolt (M6 × 35) } Lever to	1	897277*	
16				Plain washer } pedal	2	851001*	
17				Nut (M6) } shaft	1	NH 106041	
18				Accelerator cable	1	624285*	RH Stg
				Accelerator cable	1	624286*	LH Stg
19				Clevis pin for cable } Cable to pedal and	2	562481	
20				Split pin } countershaft levers	2	852835*	
21				Grommet for accelerator cable	1	562106	
22				Accelerator return spring	1	277502	

* Asterisk indicates a new part which has not been used on any previous model.

ACCELERATOR—Hand Throttle Control

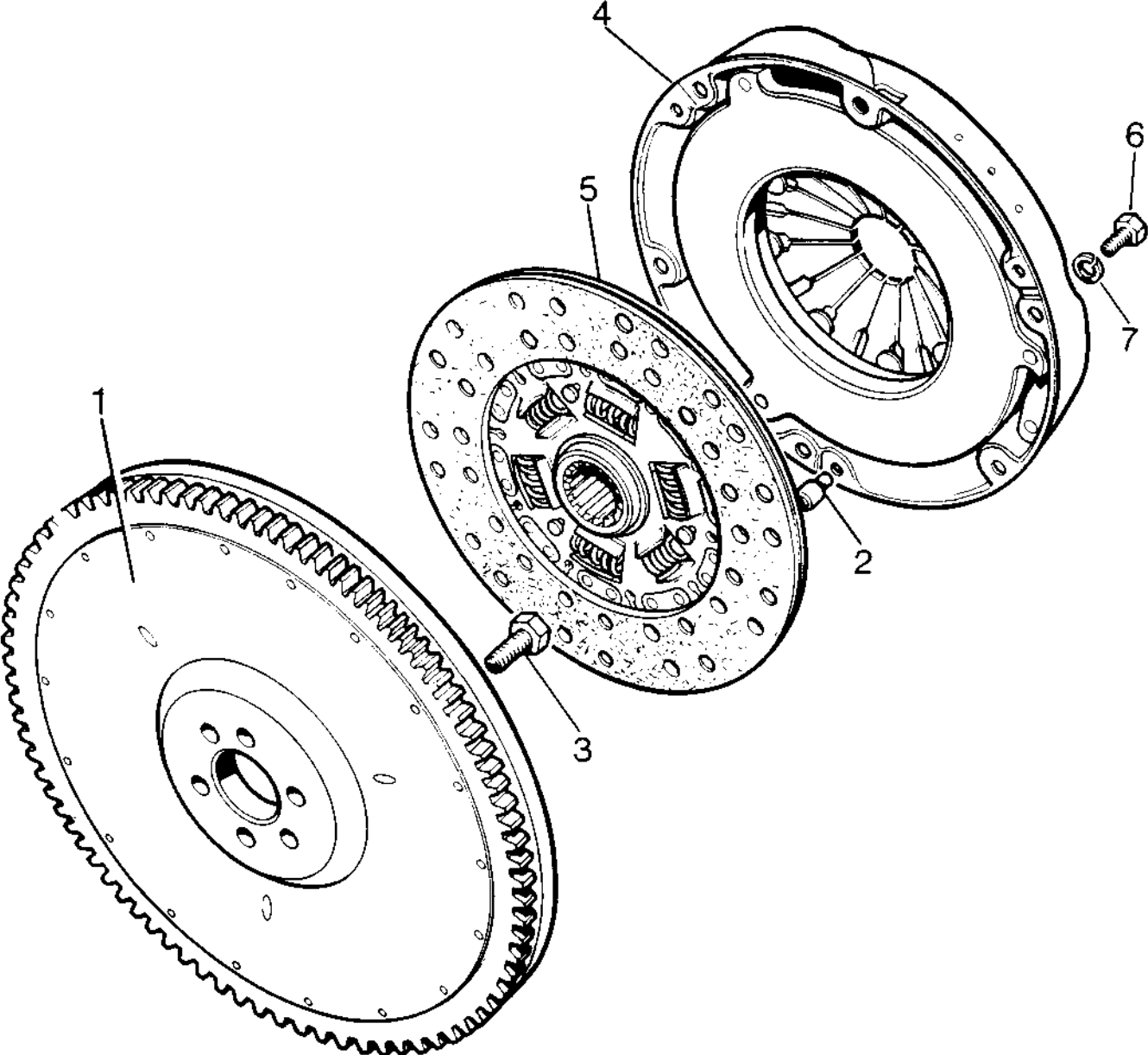


ACCELERATOR—Hand Throttle Control

Plate					Qty	Part No.	REMARKS
Ref.	1	2	3	4			
1	HAND THROTTLE CONTROL	1	594988*	RH Stg
	HAND THROTTLE CONTROL	1	598923*	LH Stg
2	End cap	1	594990*	
3	Spring washer	1	WM600081	
4	Locknut (½" UNF)	1	254854	
5	Clip, hand throttle control	1	239673	
6	Screw (M5×20 hex. hd.)	1	890321*	Fixing outer cable and clip to anchor bracket on inlet manifold
7	Spring washer	1	810006	
8	Nut (M5)	1	853067*	
9	Adjusting screw (½" UNF special)	1	594991*	
10	Riv-nut—adjusting screw (½" UNF)	1	514929	
11	Spring—adjusting screw	1	594992*	
12	Plain washer	1	851047*	Hand throttle cable to engine
13	Self locking nut (½" UNF)	1	257401	
14	Anchor bracket, hand throttle cable	1	90613919*	
15	Countershaft	1	613910*	
16	ACCELERATOR CABLE LEVER ASSEMBLY	1	90613913*	
17	Bush for lever	1	613915*	
18	HAND THROTTLE CABLE LEVER ASSEMBLY	1	613916*	
19	Bush for lever	1	613915*	
20	Swivel clamp	1	90568526	

* Asterisk indicates a new part which has not been used on any previous model.

FLYWHEEL AND CLUTCH

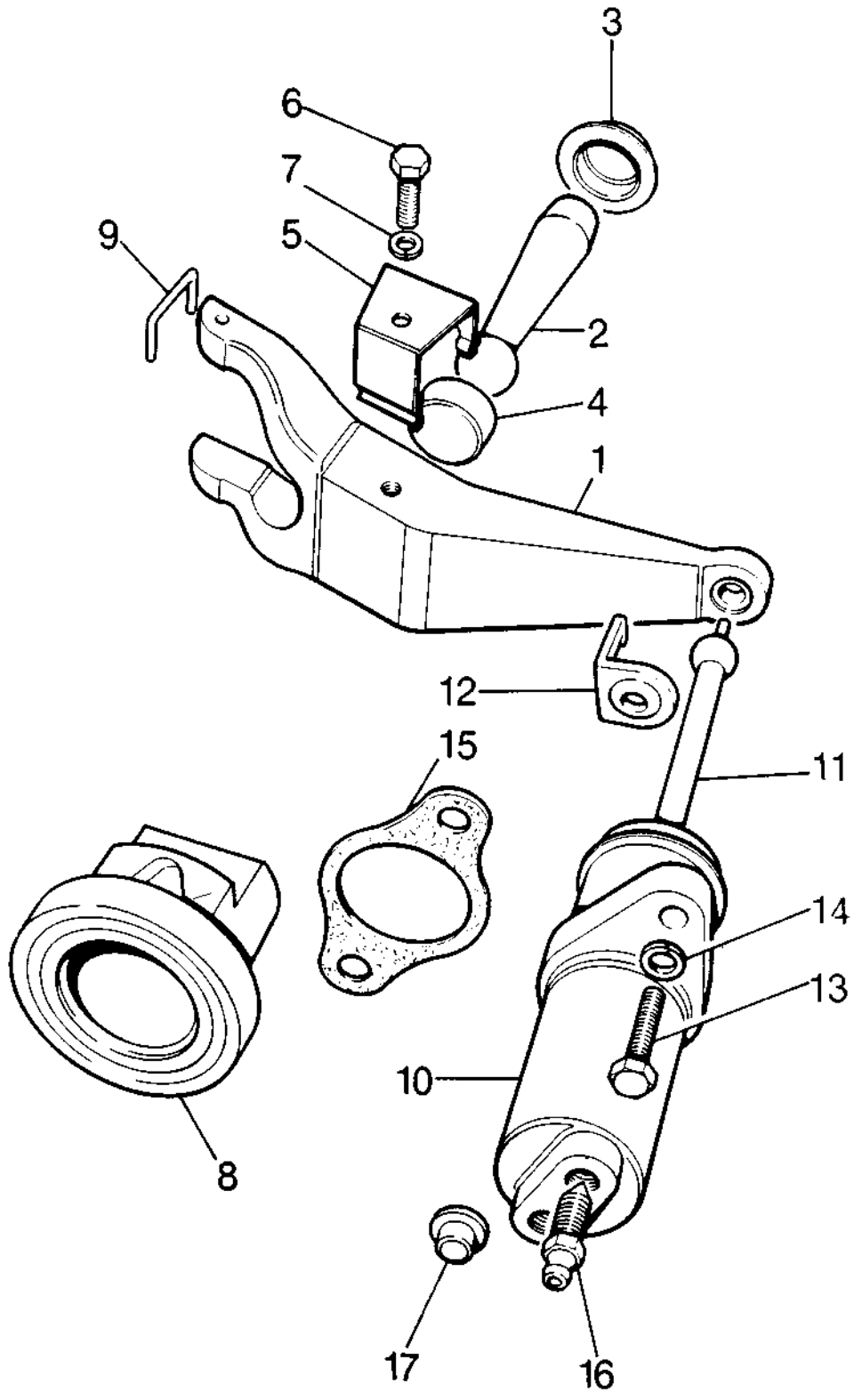


FLYWHEEL AND CLUTCH

Plate								
Ref.	1	2	3	4	DESCRIPTION	Qty	Part No.	REMARKS
1					FLYWHEEL ASSEMBLY	1	611324	
2					Dowel, locating clutch cover plate	3	6395	
3					Special bolt, fixing flywheel to crankshaft	6	255466	
4					CLUTCH ASSEMBLY	1	GCC204	
5					CLUTCH PLATE COMPLETE	1	GCP240	
					Lining package for clutch plate	1	607347	
6					Special bolt } Fixing clutch	6	255445	
7					Spring washer } cover to flywheel	6	WM110001	

* Asterisk indicates a new part which has not been used on any previous model.

CLUTCH—Release Mechanism

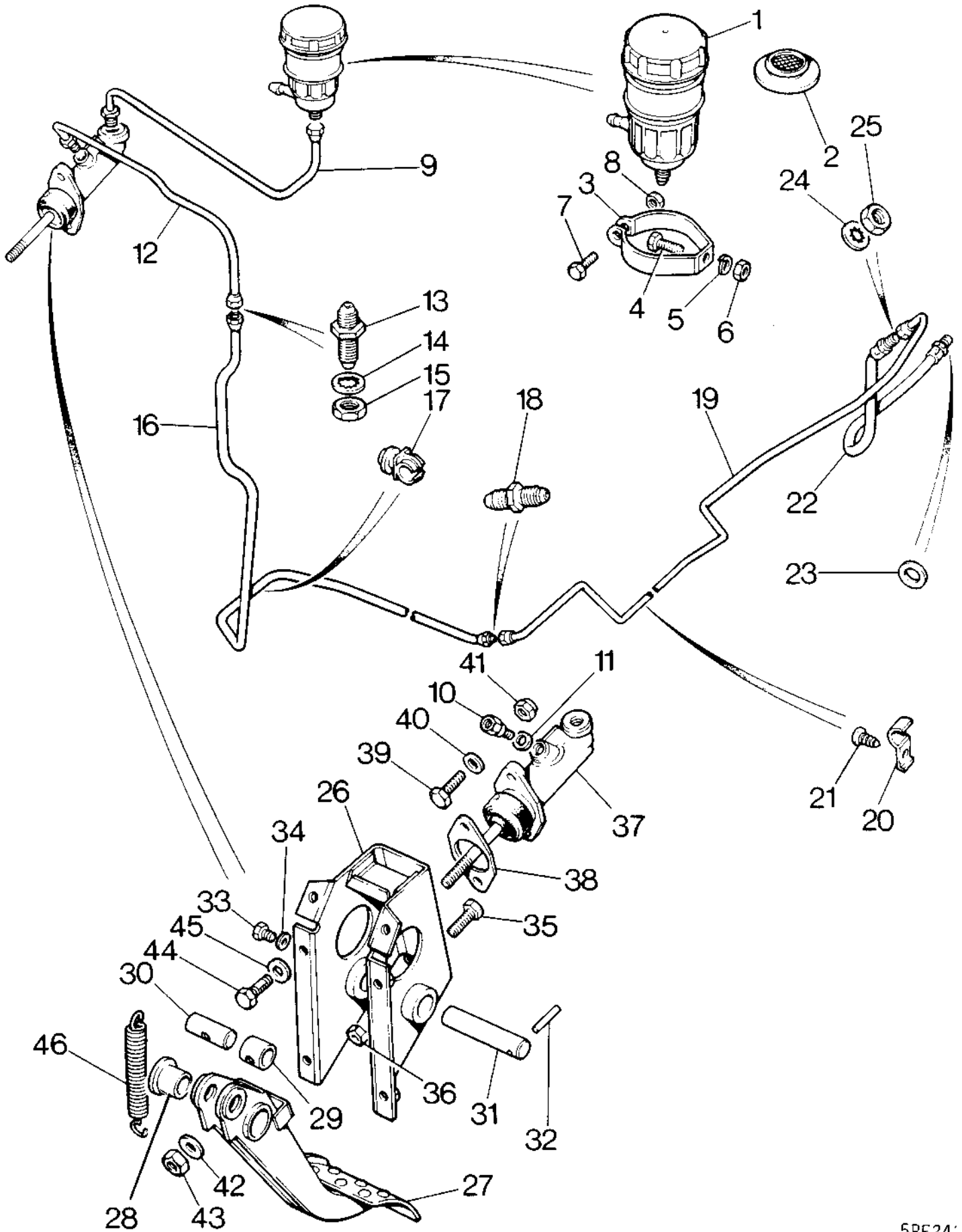


CLUTCH—Release Mechanism

Plate					Qty	Part No.	REMARKS
Ref.	1	2	3	4			
1					1	576137	
2					1	594176*	
3					1	571164	
4					1	571161	
5					1	571163	
6					1	890055	} Fixing clip to lever
7					1	810005	
8					1	GRB229	
9					1	576203	
10					1	591231	
					1	502335	
11					1	571160	
12					1	576723	
13					2	SH108251	} Fixing slave cylinder to bell housing
14					2	810004	
15					1	591988	
16					1	606733	
17					1	594091	

* Asterisk indicates a new part which has not been used on any previous model.

CLUTCH—Master Cylinder, Pipes and Pedal Bracket



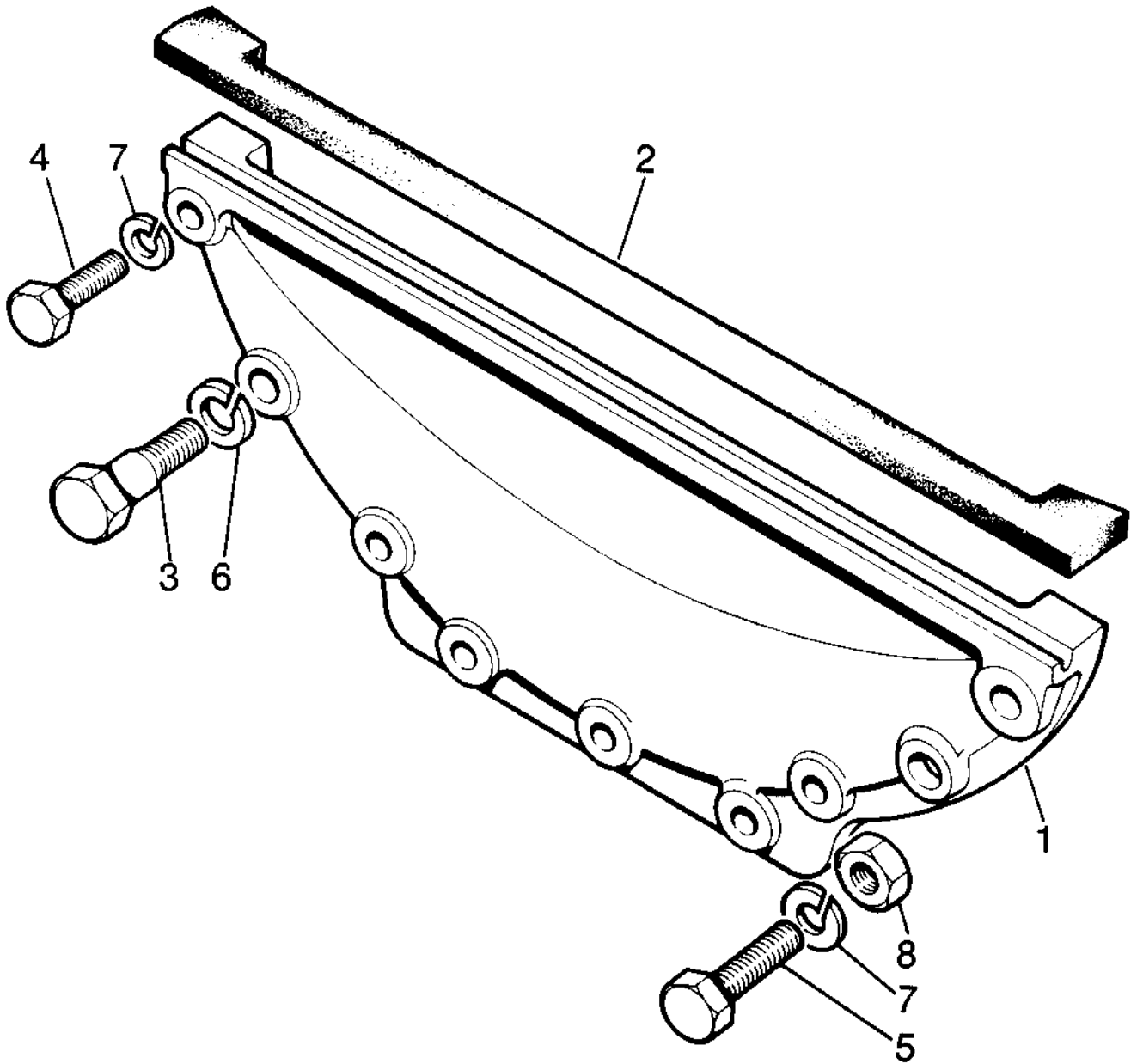
5RE24

CLUTCH—Master Cylinder, Pipes and Pedal Bracket

Plate Ref.	1	2	3	4	DESCRIPTION	Qty	Part No.	REMARKS
1					CLUTCH FLUID RESERVOIR	1	595447*	
2					Nylon filter for reservoir	1	592325	
3					Clip for reservoir	1	90217636	
4					Bolt (M6×14) }	1	SH106141	
5					Spring washer } Fixing clip to bracket	1	WM106001	
6					Nut (M6) }	1	NH106041	
7					Bolt (M4×20) } Clamping clip to reservoir	1	SH104201	
8					Nut (M4) }	1	NH104041	
9					Pipe, reservoir to clutch master cylinder	1	562978	RH Stg
					Pipe, reservoir to clutch master cylinder	1	595420*	LH Stg
10					Adaptor at clutch master cylinder	1	139082	
11					Joint washer for adaptor	1	233220	
12					Pipe, clutch master cylinder to tunnel adaptor	1	595425*	RH Stg
					Pipe, clutch master cylinder to tunnel adaptor	1	NRC1978*	LH Stg
13					Adaptor at tunnel	1	598692*	
14					Shakeproof washer } Securing adaptor	1	90512651	
15					Nut	1	216912	
16					Pipe, tunnel adaptor to pipe adaptor	1	595431*	
17					Pipe clip	1	79123	
18					Adaptor, clutch pipes	1	598693*	
19					Pipe, adaptor to jump hose bracket	1	NRC1191	
20					Pipe clip	1	50183	
21					Drive screw, clip to LH sidemember	1	72626	
22					Clutch jump hose	1	NRC2128*	
23					Gasket for jump hose	1	216914	
24					Shakeproof washer } Jump hose	1	90512651	
25					Nut } to bracket	1	216912	
					CLUTCH PEDAL AND BRACKET ASSEMBLY	1	595275*	
26					Mounting bracket for clutch pedal	1	594686*	
27					CLUTCH PEDAL ASSEMBLY	1	594657	
28					Bush for clutch pedal	2	272714	
29					Distance piece for pedal trunnion	1	269783	
30					Trunnion for pedal	1	568883	
31					Shaft for pedal	1	272712	
32					Pin locating pedal shaft	1	50446	
33					Oil plug for pedal shaft	1	255202	
34					Joint washer for oil plug	1	3052	
35					Bolt (8 mm×25 mm) } Pedal stop	1	SH108251	
36					Nut (8 mm)	1	NT108041	
37					Clutch master cylinder	1	624329*	
					Overhaul kit for clutch master cylinder	1	601611	
38					Gasket for clutch master cylinder	1	592358	
39					Bolt ($\frac{5}{16}$ " UNF×1 $\frac{1}{8}$ ") } Fixing master cylinder	2	255029	
40					Plain washer } to clutch pedal	2	3830	
41					Self-locking nut ($\frac{5}{16}$ " UNF) } mtg. brkt.	2	252161	
42					Plain washer } Fixing push-rod	2	RTC626	
43					Nut ($\frac{5}{16}$ " UNF) } to pedal	2	254831	
44					Screw, self-locking (M6×12) } Clutch pedal brkt.	6	624190	
45					Plain washer } to body	6	851041	
46					Return spring for clutch pedal	1	569701	

* Asterisk indicates a new part which has not been used on any previous model.

GEARBOX—Bottom Cover, Bell Housing



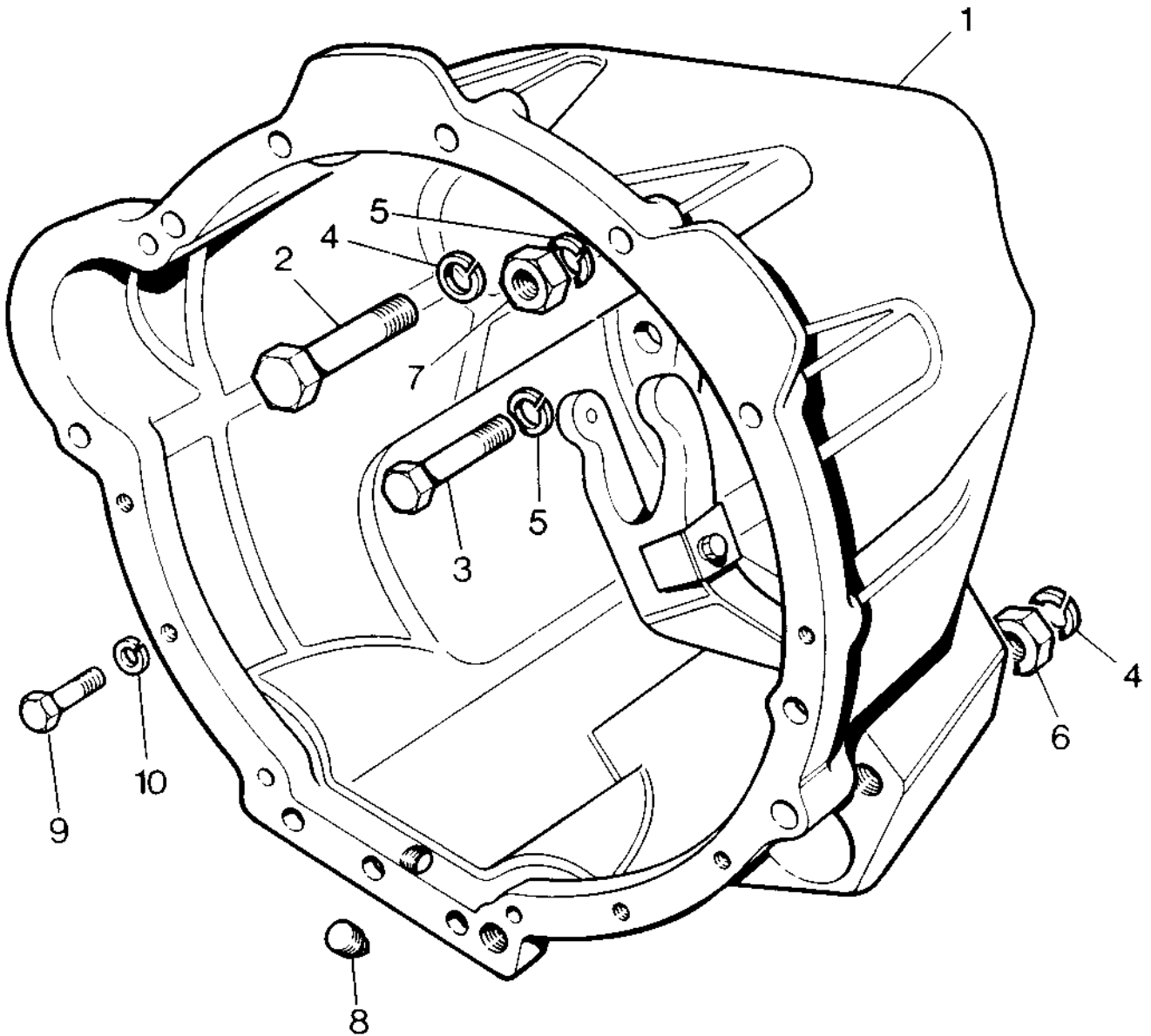
5RE84

GEARBOX—Bottom Cover, Bell Housing

Plate								
Ref.	1	2	3	4	DESCRIPTION	Qty	Part No.	REMARKS
1					Bottom cover for bell housing	1	594086	
2					Seal for bottom cover	1	594087	
3					Special bolt	2	594134*	
4					Bolt (6 mm × 25 mm)	2	890101	} Fixing bottom cover to bell housing
5					Bolt (6 mm × 45 mm)	5	890141	
6					Spring washer (8 mm)	2	810004	
7					Spring washer (6 mm)	7	810005	
8					Nut (6 mm)	5	853051	

* Asterisk indicates a new part which has not been used on any previous model.

GEARBOX—Bell Housing

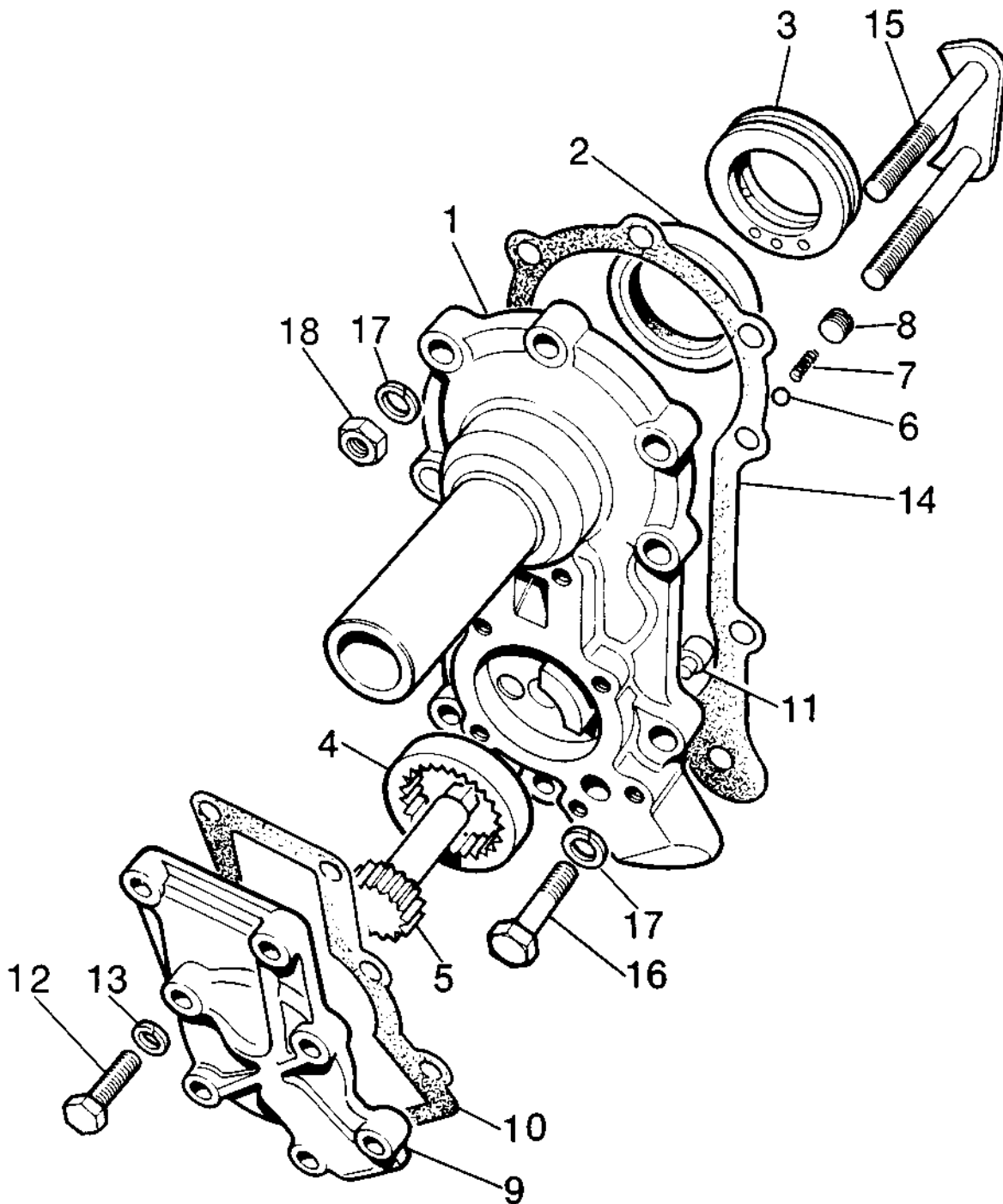


GEARBOX—Bell Housing

Plate	Ref.	1	2	3	4	DESCRIPTION	Qty	Part No.	REMARKS
	1					Bell housing	1	576214*	
	2					Set bolt (16 mm × 80 mm)	2	896321*	
	3					Set bolt (12 mm × 60 mm)	2	896541*	
	4					Spring washer	4	810001	} Fixing bell housing to gearbox casing
	5					Spring washer	4	810002	
	6					Nut (16 mm)	2	853011	
	7					Nut (12 mm)	2	853021	
	8					Drain plug (1/4" BSP) for bell housing	1	3290	
	9					Bolt (3/8" UNC × 2")	8	254045	} Fixing gearbox to engine
	10					Spring washer	8	WM600061	

* Asterisk indicates a new part which has not been used on any previous model.

GEARBOX—Front Cover and Oil Pump



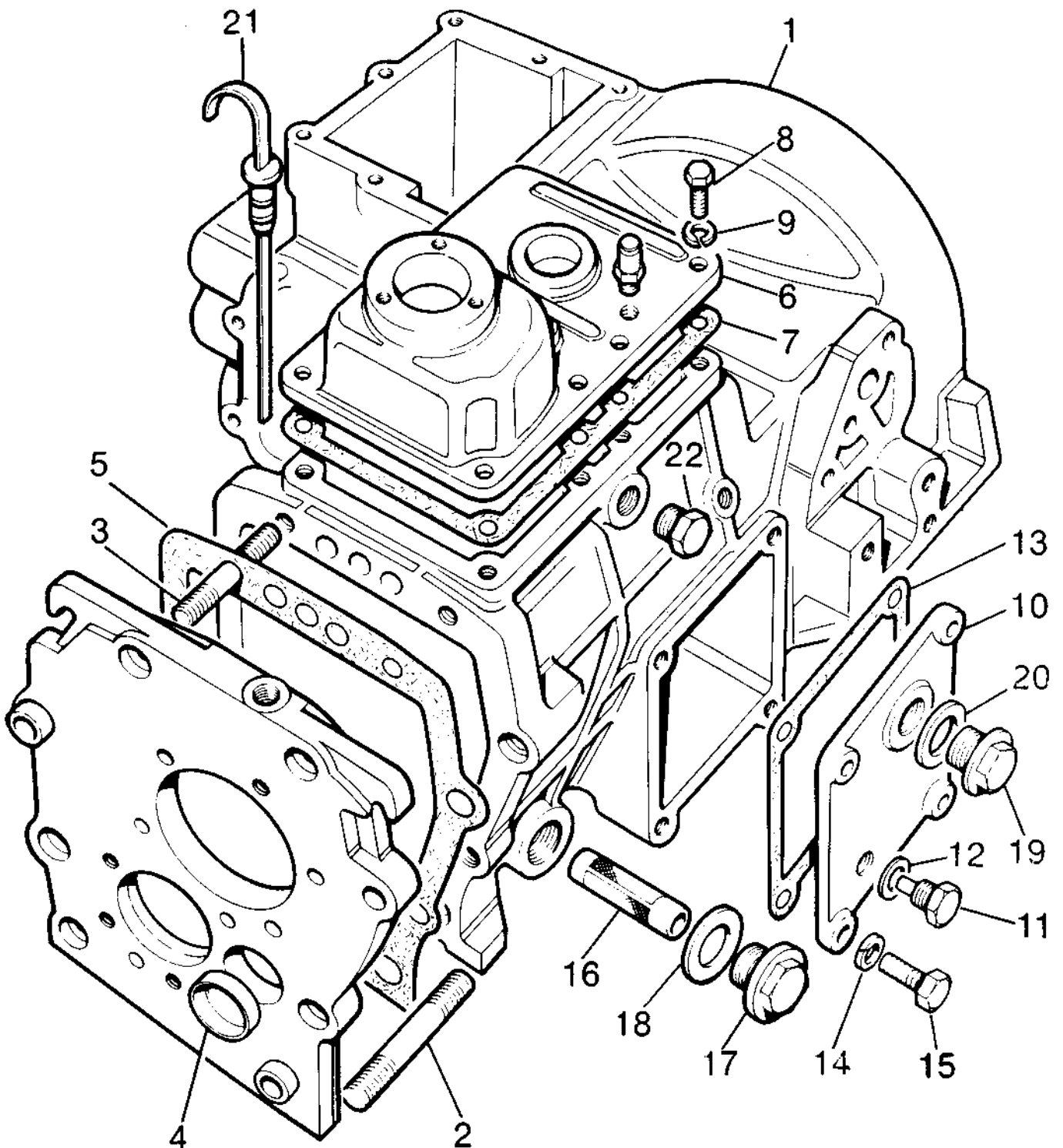
5RE133

GEARBOX—Front Cover and Oil Pump

Plate								
Ref.	1	2	3	4	DESCRIPTION	Qty	Part No.	REMARKS
1					FRONT COVER AND OIL PUMP ASSEMBLY	1	576340	
2					Oil seal in front cover for primary pinion	1	571059	
3					Oil feed ring	1	591394	
4					Oil pump gear, internal	1	90571086	
5					Oil pump gear, external	1	576342	
6					Ball	1	52459	
7					Spring	1	556239	} For oil pressure relief
8					Plug	1	571168	
9					Cover for oil pump	1	90571105	
10					Joint washer for oil pump cover	1	90571106	
11					Dowel	1	571134	} Fixing oil pump cover to front cover
12					Set bolt (6 mm × 18 mm)	7	571502	
13					Spring washer	7	810005	
14					Joint washer for front cover	1	571137	
15					Retaining plate for primary pinion bearing	2	571139	
16					Set bolt (8 mm × 30 mm)	5	897001	} Fixing bearing retaining plate and front cover to gearbox
17					Spring washer	9	810004	
18					Nut (8 mm)	4	NH108041	

* Asterisk indicates a new part which has not been used on any previous model.

GEARBOX—Main and Transfer Casing, Front Portion



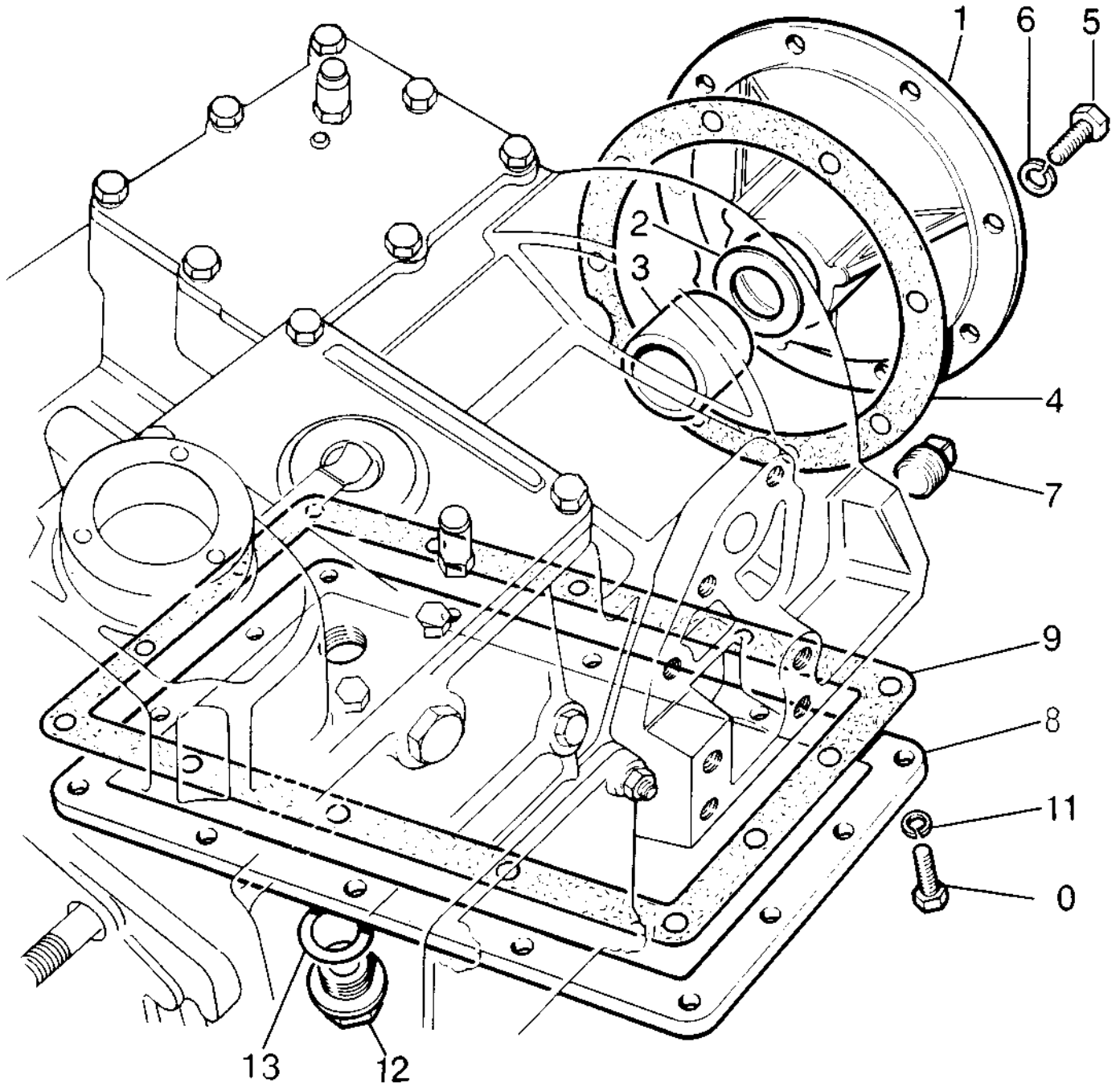
5RE91

GEARBOX—Main and Transfer Casing, Front Portion

Plate	Ref.	1	2	3	4	DESCRIPTION	Qty	Part No.	REMARKS
						GEARBOX COMPLETE ASSEMBLY	1	607441*	Gearboxes numbered suffix 'A'
						GEARBOX COMPLETE ASSEMBLY	1	RTC2282*	Gearboxes numbered suffix 'B'
1						GEARBOX MAIN AND TRANSFER CASING ASSEMBLY	1	576105	Gearboxes with reverse idler shaft bush
						GEARBOX MAIN AND TRANSFER CASING ASSEMBLY	1	FRC1778	Gearboxes without reverse idler shaft bush
2						Stud (16 mm×100 mm)	2	571537	
3						Stud (12 mm×75 mm)	2	571538	
4						Cup plug for reverse shaft aperture	1	591290	
5						Joint washer, bearing plate to gearbox	1	571837	
6						Top cover, main gearbox	1	FRC165	
7						Joint washer for top cover	1	576195	
8						Set bolt (8 mm×25 mm) } Fixing	8	889871	
9						Spring washer } top cover	8	810004	
10						COVER PLATE ASSEMBLY, REVERSE IDLER ACCESS	1	608417	
11						Magnetic plug	1	599552	
12						Joint washer for plug	1	599642	
13						Joint washer for cover plate	1	571841	
14						Spring washer } Fixing cover plate	4	810003	
15						Screw (M10×35) }	4	889671*	
16						Oil filter, main gearbox	1	576220	
17						Drain plug, main gearbox	1	90571104	
18						Joint washer for drain plug	1	213964	
19						Oil filler/level plug	1	533358	
20						Joint washer for plug	1	6009	
21						Oil level dipstick	1	593780	
22						Plug interlock hole	1	571944	

* Asterisk indicates a new part which has not been used on any previous model.

GEARBOX—Main and Transfer Casing—Rear Portion



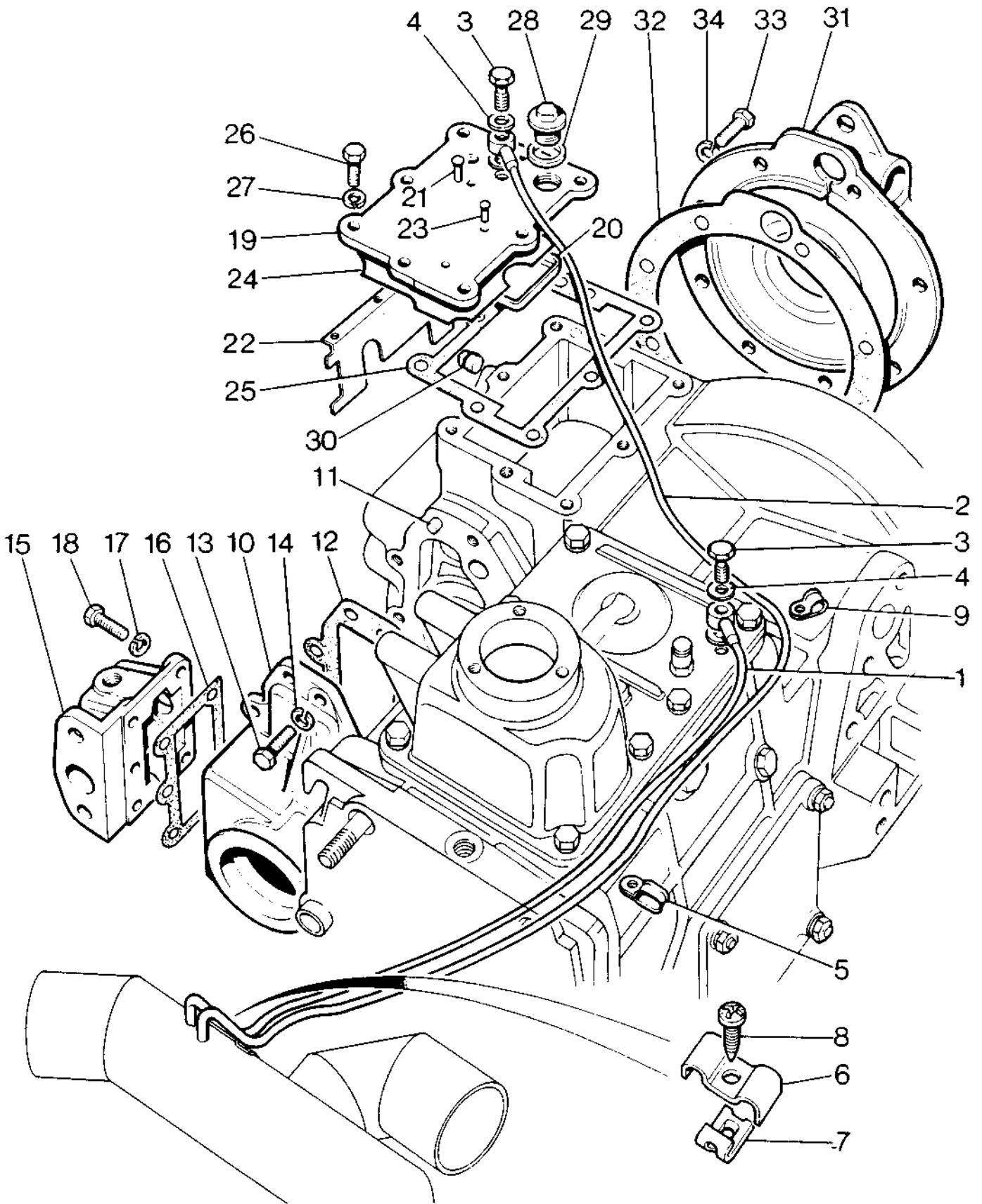
5RE82

GEARBOX—Main and Transfer Casing—Rear Portion

Plate								
Ref.	1	2	3	4	DESCRIPTION	Qty	Part No.	REMARKS
1					HOUSING ASSEMBLY, REAR MAINSHAFT BEARING	1	571845	
2					Thrust washer	1	571723	
3					Bearing outer race	1	571483	
					} For mainshaft			
4					Joint washer for rear mainshaft housing	1	571846	
5					Set bolt (8 mm × 25 mm)	8	889877*	
6					Spring washer	8	810004	
					} Fixing rear mainshaft housing to transfer gearbox			
7					Oil level plug (½" BSP) for transfer gearbox	1	3292	
8					Bottom cover for transfer gearbox	1	571977	
9					Joint washer for bottom cover	1	571948	
10					Set bolt (8 mm × 25 mm)	14	889877*	
11					Spring washer	14	810004	
					} Fixing bottom cover to transfer gearbox			
12					Drain plug for transfer gearbox	1	90571104	
13					Joint washer for drain plug	1	213964	

* Asterisk indicates a new part which has not been used on any previous model.

GEARBOX—Main and Transfer Casing—Transfer Portion

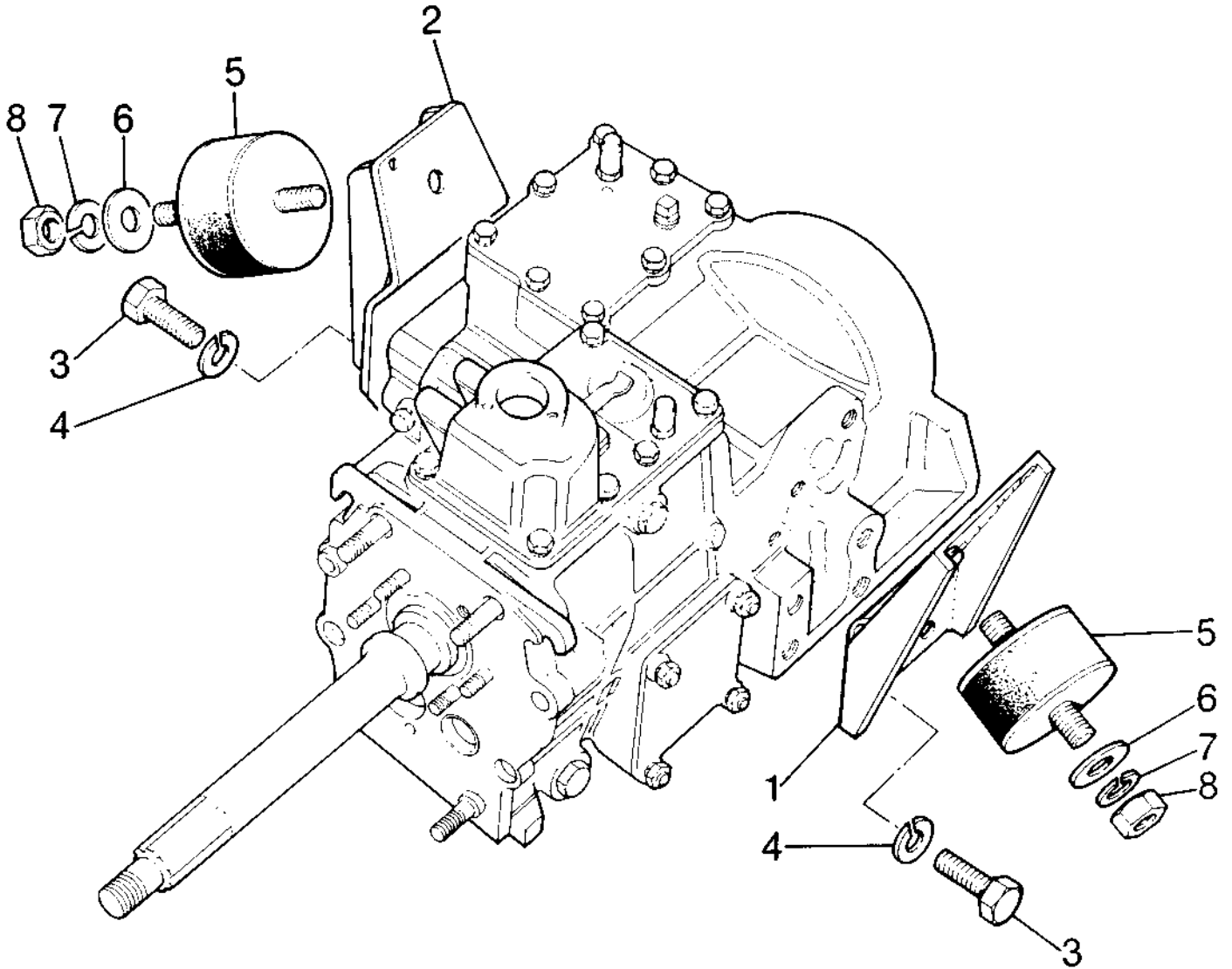


GEARBOX—Main and Transfer Casing—Transfer Portion

Plate Ref.	1	2	3	4	DESCRIPTION	Qty	Part No.	REMARKS
1					Remote breather pipe for main gearbox	1	622219	
2					Remote breather pipe for transfer gearbox	1	90622220	
3					Banjo bolt for breather banjo	2	595478	
4					Fibre washer for breather banjo	4	599575	
5					Clip, double, pipe to gearbox top cover	1	622324	
6					Clamp—vent pipes	1	614791	
7					Spire nut	1	78319	} Clamp to air inlet duct
8					Screw (No. 10× $\frac{1}{2}$ ")	1	78494	
9					Clip, single, pipe to gearbox	1	219676	
10					Housing for front output shaft	1	576147	
11					Dowel for housing	2	571134	
12					Joint washer for front output shaft housing	1	571876	
13					Set bolt (8 mm×25 mm)	6	889871	} Fixing front output housing to gearbox casing
14					Spring washer	6	810004	
15					Vacuum actuator housing	1	571959	
16					Joint washer for housing	1	571947	
17					Spring washer	4	810004	} Actuator housing to dog clutch housing
18					Screw (M8×20)	4	880191	
19					TOP COVER ASSEMBLY, TRANSFER GEARBOX	1	594469	
20					Baffle for breather	1	576843	
21					Rivet, fixing baffle to top cover	1	RTC616	
22					Baffle, vertical	1	594471	
23					Rivet, fixing baffle	3	2982	
24					Insulating pad	1	591603	
25					Joint washer for top cover	1	571979	
26					Set bolt (8 mm×25 mm)	8	889871	} Fixing top cover to transfer casing
27					Spring washer	8	810004	
28					Oil filler plug ($\frac{3}{8}$ " Gas)	1	533358	} For transfer gearbox
29					Joint washer for plug	1	6009	
30					Plug, detent spring access ($\frac{1}{4}$ " BSP)	1	3290	
31					HOUSING ASSEMBLY FOR SPEEDOMETER DRIVE	1	90576631	
					Stud (6 mm×30 mm long)	1	571536	
32					Joint washer for speedometer drive housing	1	571940	
33					Set bolt (8 mm×25 mm)	8	889877	} Fixing speedometer to transfer gearbox
34					Spring washer	8	810004	

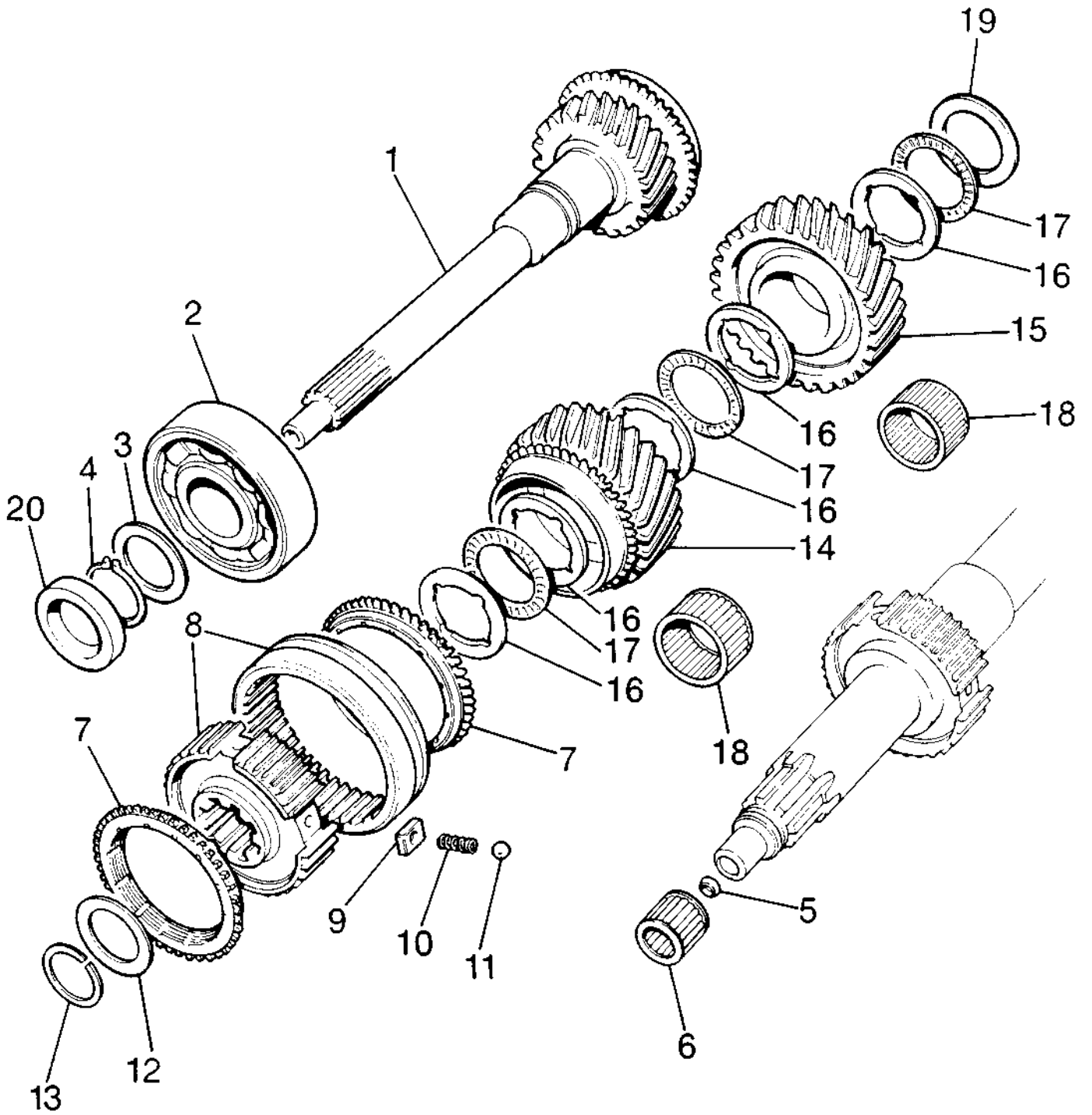
* Asterisk indicates a new part which has not been used on any previous model.

GEARBOX—Mountings



5RE147

GEARBOX—Primary Pinion, 2nd-3rd Mainshaft Gears

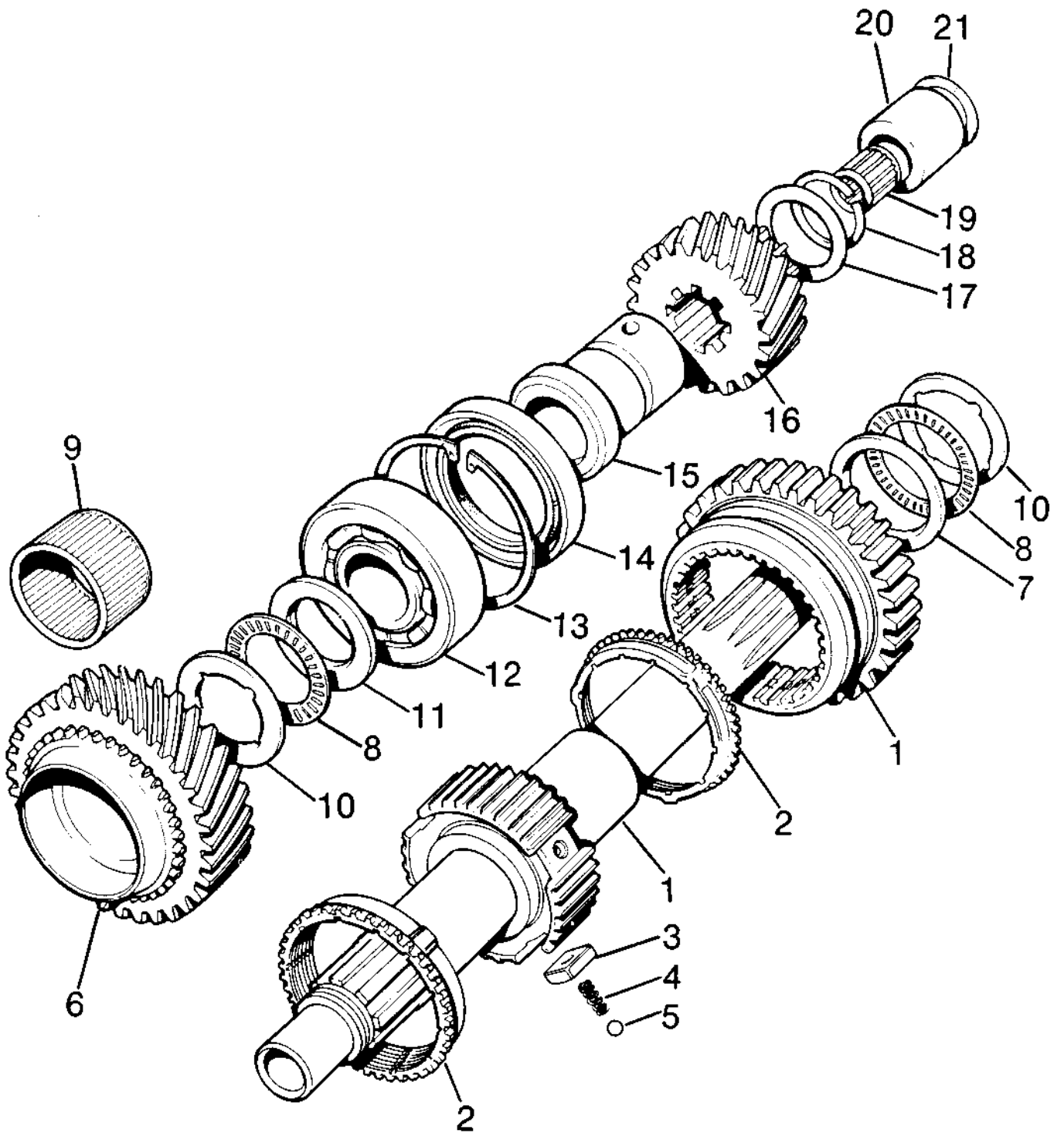


GEARBOX—Primary Pinion, 2nd-3rd Mainshaft Gears

Plate								
Ref.	1	2	3	4	DESCRIPTION	Qty	Part No.	REMARKS
1					PRIMARY PINION COMPLETE	1	FRC1341	
2					Ball bearing for primary pinion	1	593619	
3					Shim, 1·85 mm	A/R	594024	} For primary pinion bearing
					Shim, 1·90 mm	A/R	594023	
					Shim, 1·95 mm	A/R	594022	
					Shim, 2·0 mm	A/R	594021	
					Shim, 2·05 mm	A/R	594020	
					Shim, 2·10 mm	A/R	594019	
					Shim, 2·15 mm	A/R	594018	
4					Circlip retaining primary pinion bearing	1	214795	
5					Oil seal for mainshaft, front end	1	571142	
6					Roller bearing for mainshaft spigot	1	571062	
7					Synchromesh cone, female	2	593645	
8					Synchromesh inner and outer member for 3rd/4th gear	1	622165	
9					Sliding block for 3rd/4th gear	3	90571102	
10					Spring	6	503805	
11					Ball synchromesh	6	52459	
12					Shim, 1·85 mm	A/R	90571451	} For 3rd/4th inner member
					Shim, 2·0 mm	A/R	571452	
					Shim, 2·15 mm	A/R	571453	
					Shim, 2·30 mm	A/R	571454	
					Shim, 2·45 mm	A/R	571455	
13					Snap ring, inner member to mainshaft	1	571090	
14					3rd speed mainshaft gear	1	622160	
15					2nd speed mainshaft gear	1	90622161	
16					Thrust washer	5	571066	
17					Thrust needle bearing	3	571067	} For 2nd/3rd mainshaft gears
18					Needle roller bearing			
19					Thrust washer for 2nd speed mainshaft gear	1	571931	
20					Oil seal for primary pinion shaft	1	571059	

* Asterisk indicates a new part which has not been used on any previous model.

GEARBOX—First Speed Mainshaft and Transfer Gear



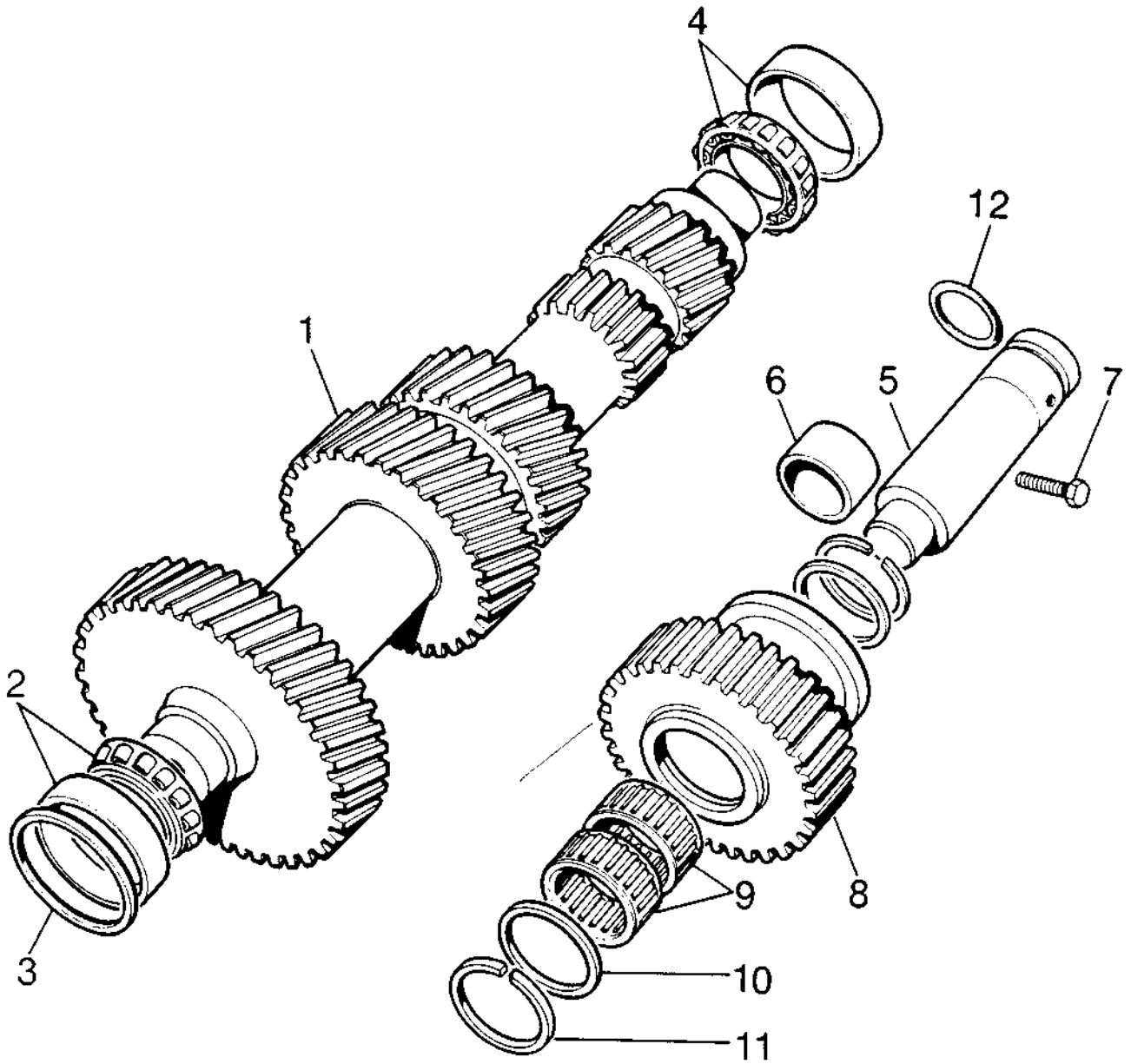
5RE94

GEARBOX—First Speed Mainshaft and Transfer Gear

Plate Ref.	1	2	3	4	DESCRIPTION	Qty	Part No.	REMARKS	
1					Mainshaft and synchro, outer member for 1st/2nd/ reverse gears, matched pair	1	RTC1687		
2					Synchromesh cone, female for 1st/2nd mainshaft gears	2	593645		
3					Sliding block	3	90571103		
4					Spring—synchromesh	3	503805	} For 1st/2nd gear	
5				Ball	3				52459
6					1st speed mainshaft gear	1	90622162		
7					Thrust washer, chamfered, front	1	571930		
8					Thrust Needle bearing	2	571064	} For 1st	
9				Needle roller bearing	1				594291
10					Thrust washer, plain	2	571065	} mainshaft	
11				Thrust washer, radiused	1				571063
12					Ball bearing for mainshaft, rear	1	593619		
13					Circlip, retaining rear mainshaft bearing	1	252775		
14					Oil seal for mainshaft, rear	1	571838		
15					Spacer cylinder for mainshaft transfer gear	1	622538		
16					Mainshaft transfer gear	1	90571010		
17					Shim, 1.65 mm	A/R	593814	} For mainshaft	
				Shim, 1.70 mm	A/R				593815
				Shim, 1.75 mm	A/R				593816
				Shim, 1.80 mm	A/R				593817
				Shim, 1.85 mm	A/R				593818
				Shim, 1.90 mm	A/R				593819
				Shim, 1.95 mm	A/R				593820
				Shim, 2.0 mm	A/R				593821
18					Snap ring, transfer gear to mainshaft	1	571091		
19					Roller bearing for mainshaft rear	1	571187		
20					Bearing outer race	1	571483	} For mainshaft	
21				Thrust washer	1				571723

* Asterisk indicates a new part which has not been used on any previous model.

GEARBOX—Layshaft Gears and Reverse Gear

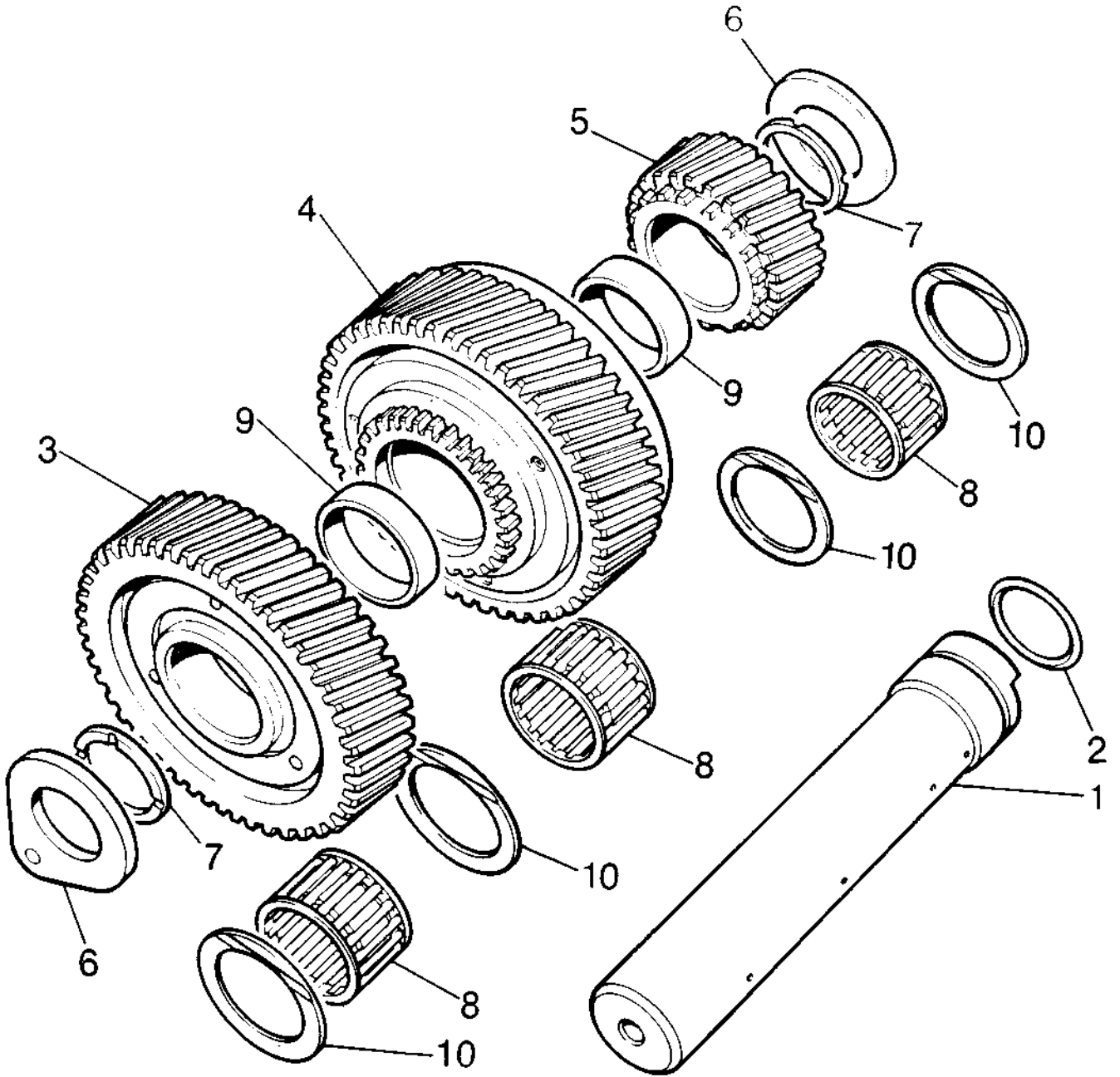


GEARBOX—Layshaft Gears and Reverse Gear

Plate								
Ref.	1	2	3	4	DESCRIPTION	Qty	Part No.	REMARKS
					Layshaft gear cluster	1	576343	
2					Taper roller bearing for layshaft, front	1	606472	
3					Shim, 1.55 mm	A/R	576351	
					Shim, 1.60 mm	A/R	576352	
					Shim, 1.65 mm	A/R	576353	
					Shim, 1.70 mm	A/R	576354	
					Shim, 1.75 mm	A/R	576355	
					Shim, 1.80 mm	A/R	576356	
					Shim, 1.85 mm	A/R	576357	
					Shim, 1.90 mm	A/R	576358	
					Shim, 1.95 mm	A/R	576359	
					Shim, 2.00 mm	A/R	576360	
					Shim, 2.05 mm	A/R	576361	
					Shim, 2.10 mm	A/R	576362	
					Shim, 2.15 mm	A/R	576363	
					Shim, 2.20 mm	A/R	576364	
					Shim, 2.25 mm	A/R	576365	
					Shim, 2.30 mm	A/R	576366	
					Shim, 2.35 mm	A/R	576367	
					Shim, 2.40 mm	A/R	576368	
					Shim, 2.45 mm	A/R	576369	
					Shim, 2.50 mm	A/R	576370	
					For layshaft front bearing			
4					Taper roller bearing for layshaft, rear	1	606472	
5					Shaft for reverse idler gear	1	594245	Gearboxes fitted with reverse idler shaft bush
					Shaft for reverse idler gear	1	FRC1743	Gearboxes without reverse idler shaft bush
6					Bush for shaft	1	591271	For use with shaft 594245 only
7					Bolt (M6×35) fixing shaft to casing	1	890120	
8					Reverse idler gear	1	594244	
9					Needle roller bearing for reverse gear	2	594389	
10					Washer for roller bearing	2	571885	
11					Circlip, retaining roller bearing to gear	2	571144	
12					Sealing ring for reverse idler shaft	1	561699	

* Asterisk indicates a new part which has not been used on any previous model.

GEARBOX—Intermediate Gears



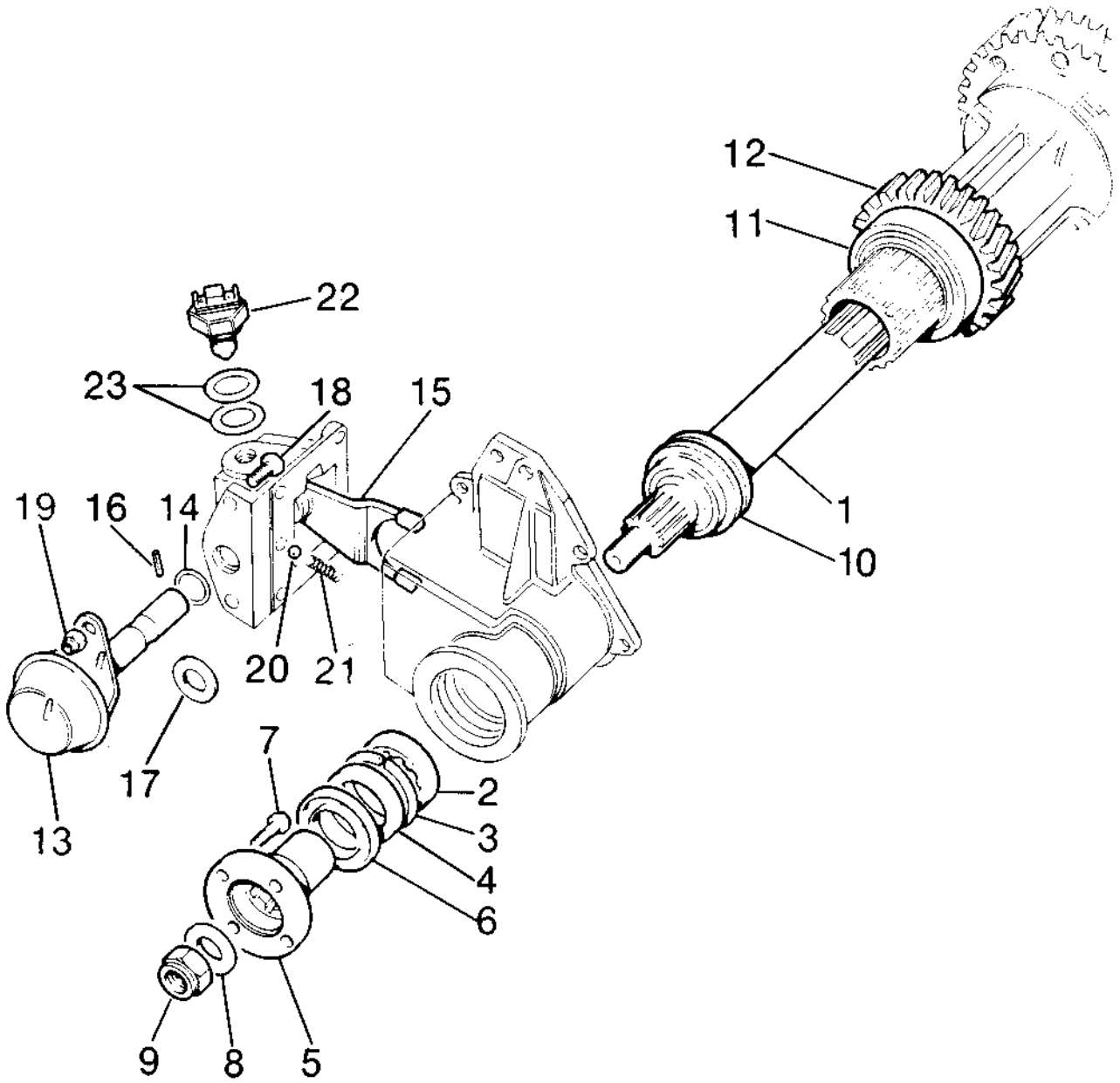
5RE145

GEARBOX—Intermediate Gears

Plate							
Ref.	1	2	3	4	DESCRIPTION	Qty Part No.	REMARKS
1					Intermediate gear shaft	1 FRC209	
2					'O' ring for shaft	1 532323	
3					Intermediate gear, high range	1 599660	Gearboxes numbered suffix 'A'
					Intermediate gear, high range	1 FRC1798	Gearboxes numbered suffix 'B'
4					Input gear and outer members	1 591888	
5					Intermediate gear, low range	1 591891	
6					Thrust washer and pin, 3·55 mm	A/R 591899	
					Thrust washer and pin, 3·63 mm	A/R 591897	
					Thrust washer and pin, 3·74 mm	A/R 591898	
7					Inner ring	2 591900	
8					Needle roller bearing for shaft	3 594290	
9					Spacer for roller bearing	2 576683	
10					Thrust washer for bearing	4 591896	

* Asterisk indicates a new part which has not been used on any previous model.

GEARBOX—Front Output Shaft and Vacuum Actuator

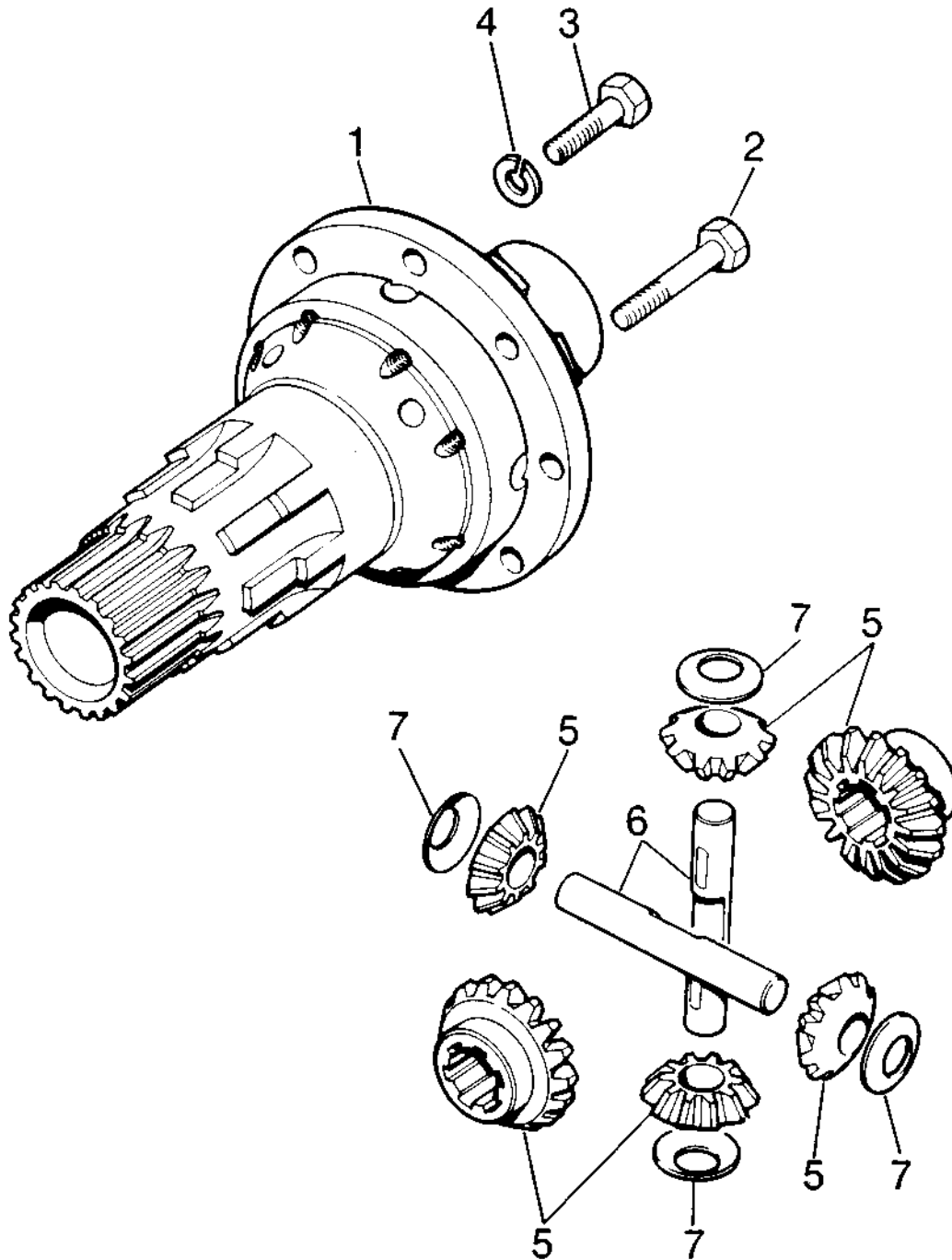


GEARBOX—Front Output Shaft and Vacuum Actuator

Plate								
Ref	1	2	3	4	DESCRIPTION	Qty	Part No.	REMARKS
1					Front output shaft	1	594337	
2					Ball bearing for front output shaft	1	217325	
3					Circlip, retaining bearing to shaft	1	217330	
4					Oil seal for shaft	1	571175	
5					COUPLING FLANGE ASSEMBLY, FRONT DRIVE	1	571953	
6					Mudshield for coupling flange	1	571177	
7					Special bolt, flange to propshaft	4	509045	
8					Plain washer	} Fixing flange to front output shaft	1	571174
9				Self-locking nut (16 mm)	1		810501	
10					Lock-up dog clutch	1	571875	
11					Taper roller bearing, front, for output shaft	1	606473	
12					Output gear, high range	1	571858	Gearboxes numbered suffix 'A'
					Output gear, high range	1	FRC1797	Gearboxes numbered suffix 'B'
13					Vacuum actuator and shaft complete	1	571957	
14					'O' ring, housing to actuator	1	571991	
15					Fork, lock-up dog clutch	1	571956	
16					Spring pin, fork to actuator shaft	1	571158	
17					Joint washer for actuator	1	591345	
18					Bolt (M8×20)	} Actuator to housing	2	889861
19					Self-locking nut (M8)		2	NY108041
20					Ball, actuator shaft detent	1	571146	
21					Spring for detent	1	593802	
22					Warning switch, lock-up clutch	1	PRC1039	
23					Shim, 0.127 mm	} For switch	A/R	273595
					Shim, 0.508 mm		A/R	3609

* Asterisk indicates a new part which has not been used on any previous model.

GEARBOX—Differential—Transfer Gearbox



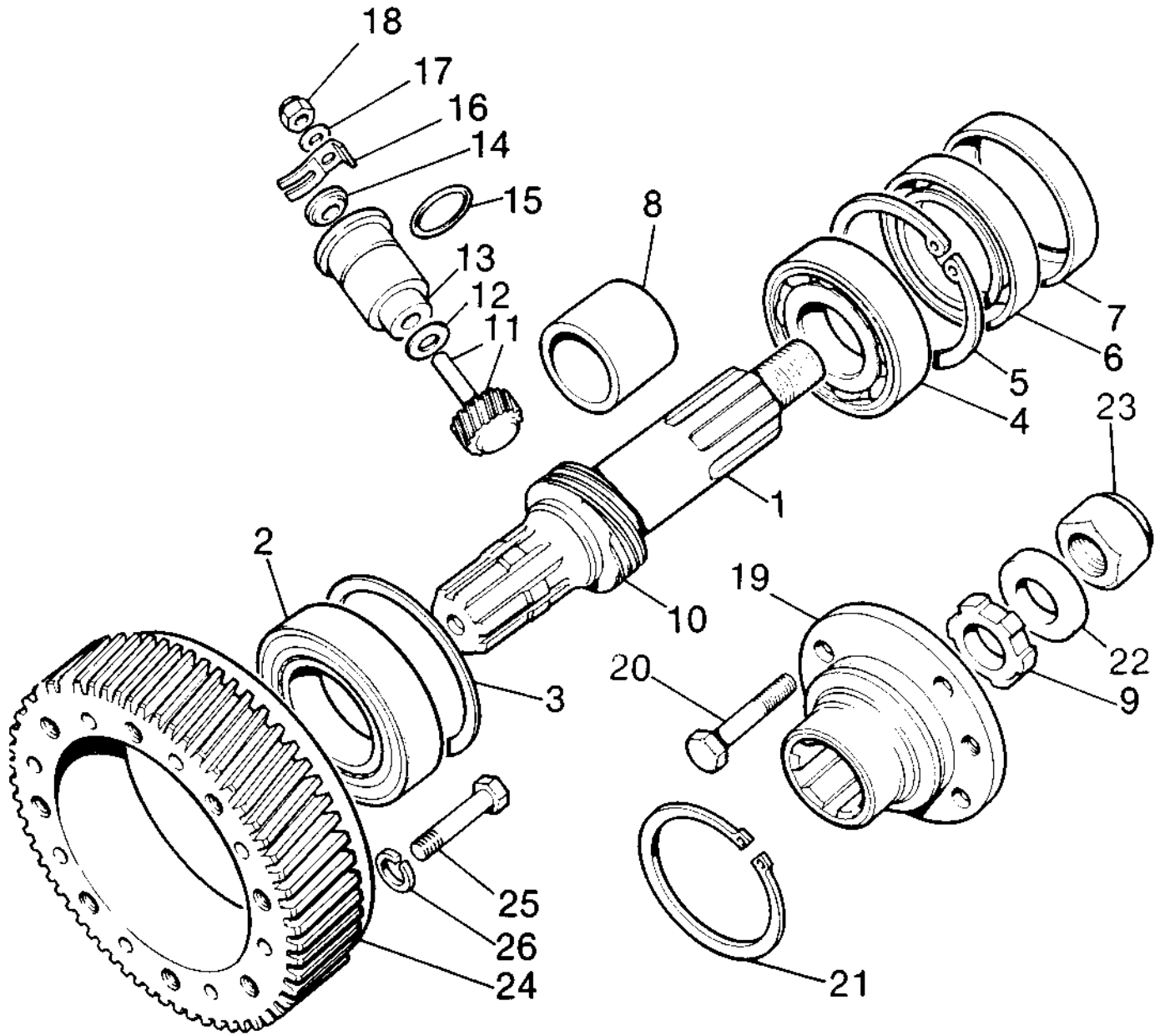
5RE89

GEARBOX—Differential—Transfer Gearbox

Plate								
Ref.	1	2	3	4	DESCRIPTION	Qty	Part No.	REMARKS
1					TRANSFER GEARBOX DIFFERENTIAL ASSEMBLY	1	594340*	
2					Bolt (M10×60) casing rear to front	8	896805*	
3					Bolt (M10×35) } Fixing gear	8	896755*	
4					Spring washer } ring to casing	8	810003	
5					Differential wheel and pinion set	1	608142*	
6					Differential pinion pin set	1	608143*	
7					Thrust washer (part of 608142)	4	556633	

* Asterisk indicates a new part which has not been used on any previous model.

GEARBOX—Rear Output Shaft, Gears and Speedo Worm Drive



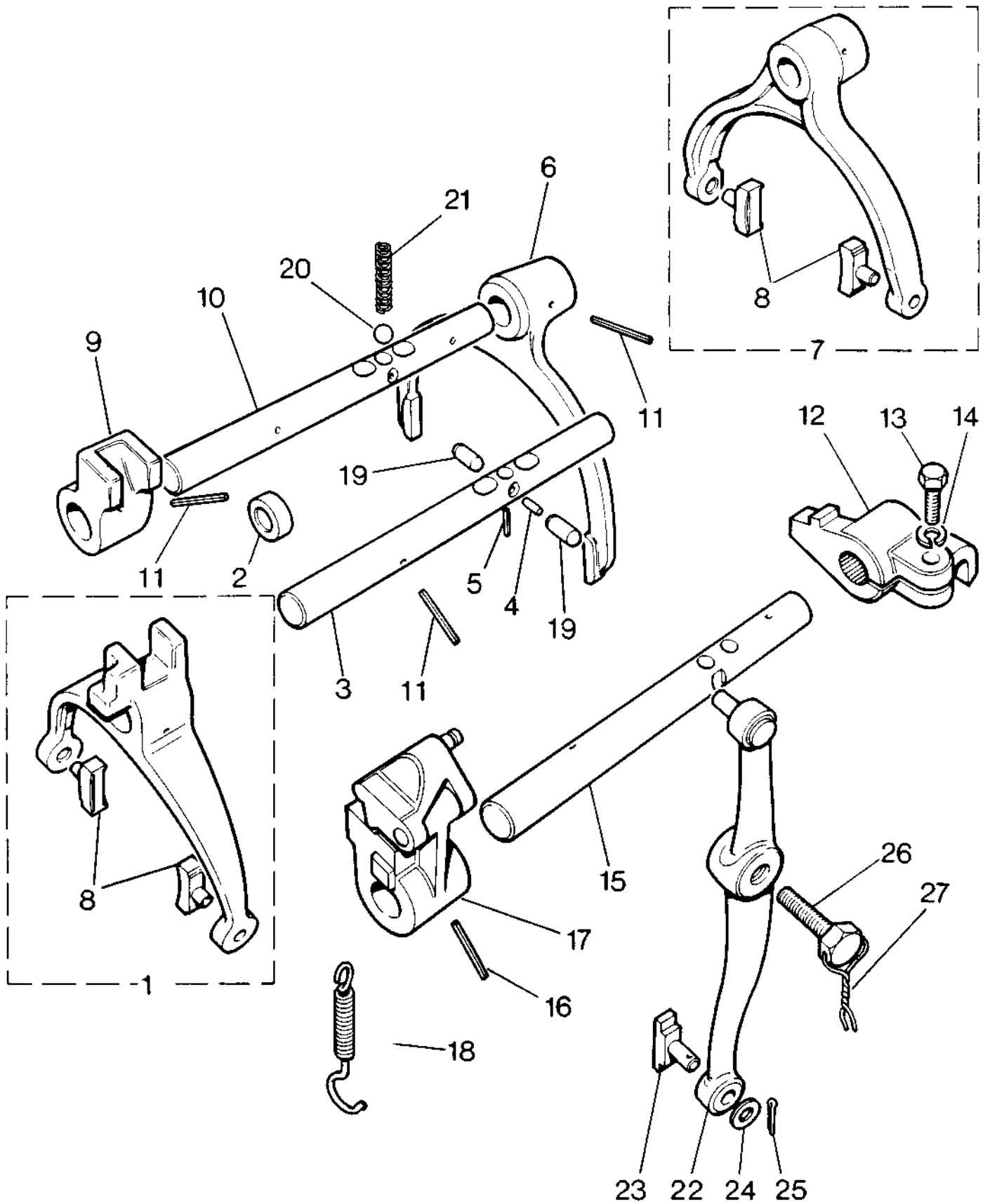
5RE143

GEARBOX—Rear Output Shaft, Gears and Speedo Worm Drive

Plate Ref.	1	2	3	4	DESCRIPTION	Qty	Part No.	REMARKS	
1					Rear output shaft	1	594338		
2					Taper roller bearing, rear, for output shaft	1	606474		
3					Shim, 1.65 mm	A/R	593694	} For rear roller bearing	
					Shim, 1.70 mm	A/R	593695		
					Shim, 1.75 mm	A/R	593696		
					Shim, 1.80 mm	A/R	593697		
					Shim, 1.85 mm	A/R	593698		
					Shim, 1.90 mm	A/R	593699		
					Shim, 1.95 mm	A/R	593700		
					Shim, 2.00 mm	A/R	593701		
					Shim, 2.05 mm	A/R	593702		
					Shim, 2.10 mm	A/R	593703		
					Shim, 2.15 mm	A/R	593704		
					Shim, 2.20 mm	A/R	593705		
					Shim, 2.25 mm	A/R	593706		
					Shim, 2.30 mm	A/R	593707		
					Shim, 2.35 mm	A/R	593708		
					Shim, 2.40 mm	A/R	593709		
					Shim, 2.45 mm	A/R	593710		
					Shim, 2.50 mm	A/R	593711		
					Shim, 2.55 mm	A/R	593712		
					Shim, 2.60 mm	A/R	593713		
					Shim, 2.65 mm	A/R	593714		
					Shim, 2.70 mm	A/R	593715		
					Shim, 2.75 mm	A/R	593716		
					Shim, 2.80 mm	A/R	593717		
4					Ball bearing, rear output shaft	1	GRB203		
5					Circlip, retaining bearing	1	216962		
6					Oil seal	}	1	90622240	} Speedo housing
7				Oil shield					
8					Spacer for output shaft, rear	1	90576632		
9					Oil seal	1	594029		
10					Speedometer worm	1	90576634		
11					Speedometer pinion	1	571975		
12					Thrust washer	}	1	540530	} For speedometer pinion
13				Sleeve					
14				Oil seal					
15					'O' ring	1	571665		
16					Retaining plate for speedometer pinion and sleeve ..	1	533765		
17					Plain washer	}	1	851001	} Fixing retaining plate to
18					Self-locking nut (6 mm)				
19					COUPLING FLANGE ASSEMBLY, REAR DRIVE	1	576627		
20					Special bolt, flange to propshaft	4	90576626		
21					Circlip, retaining bolts to flange	1	571682		
22					Plain washer	}	1	571468	} Fixing flange to
23					Self-locking nut (20 mm)				
24					The low range gear is part of differential assembly 594340 as a balanced set, and is not available as a separate item.				
25					Bolt (M10×35)	}	8	896755	} Fixing gear ring
26					Spring washer				
						8	810003		} to casing

* Asterisk indicates a new part which has not been used on any previous model.

GEARBOX—Selector Shafts and Levers, Main Gearbox



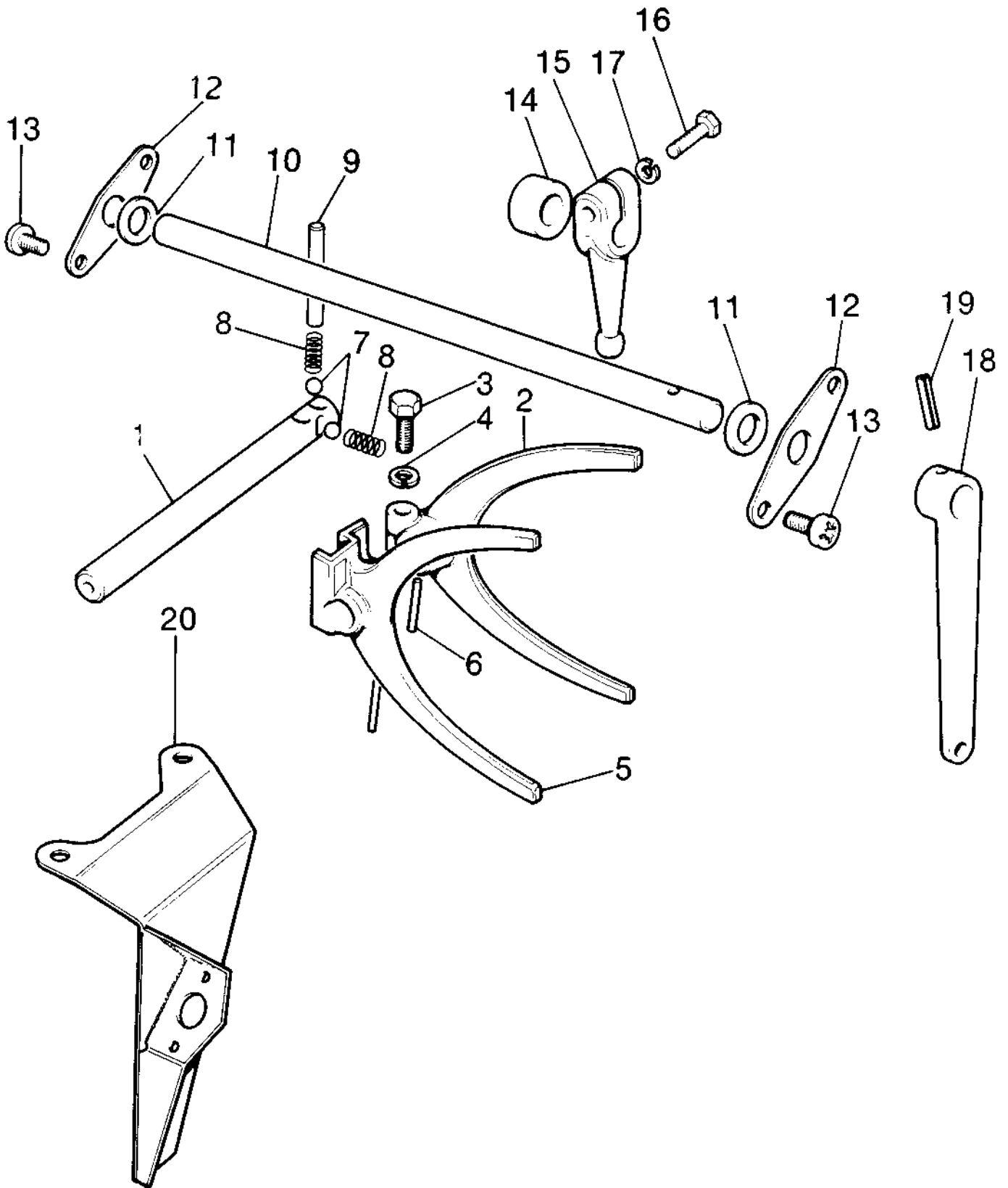
5RE220

GEARBOX—Selector Shafts and Levers, Main Gearbox

Plate								
Ref.	1	2	3	4	DESCRIPTION	Qty	Part No.	REMARKS
1					Selector fork assembly, 3rd and 4th speed	1	RTC1689	
2					Selector fork stop, 3rd gear	1	594434	
3					SHAFT ASSEMBLY FOR FORK, 3rd AND 4th SPEED	1	594189	
4					Interlock pin for selectors	1	90571030	
5					Spring pin, fixing interlock pin	1	571145	
6					Selector fork, 1st and 2nd speed	1	591479	Up to gearbox No. 95600203A
7					Selector fork assembly, 1st and 2nd speed	1	RTC1688	From gearbox No. 95600204A
8					Swivel pad for selector forks	4	622388	
9					Selector jaw, 1st and 2nd speed	1	571036	
10					Selector shaft, 1st and 2nd speed	1	594111	
11					Spring pin, fixing forks and jaws	4	571158	
12					Selector finger, reverse	1	593991	
13				} Fixing finger to shaft	Bolt (M8×25)	1	889871	
14					Spring washer	1	810004	
15					Selector shaft, reverse	1	594089	
16					Spring pin, fixing reverse jaw	1	571158	
17					Reverse stop hinge and jaw assembly	1	594100	
18					Coil spring, for reverse stop	1	591320	
19					Interlock plunger, for selectors	2	571962	
20					Steel ball for selectors	3	571146	
21					Selector detent spring, forward	2	593802	
					Selector detent spring, reverse	1	571439	
22					REVERSE CROSS-OVER LEVER ASSEMBLY	1	576656	
23					Selector foot for reverse lever	1	571043	
24				} Fixing selector foot to lever	Plain washer	1	850801	
25					Split pin	1	3958	
26					Special bolt, reverse lever pivot	1	90576658	
27					Locking wire for bolt	A/R	80680	

* Asterisk indicates a new part which has not been used on any previous model.

GEARBOX—Selectors and Levers, Transfer Gearbox

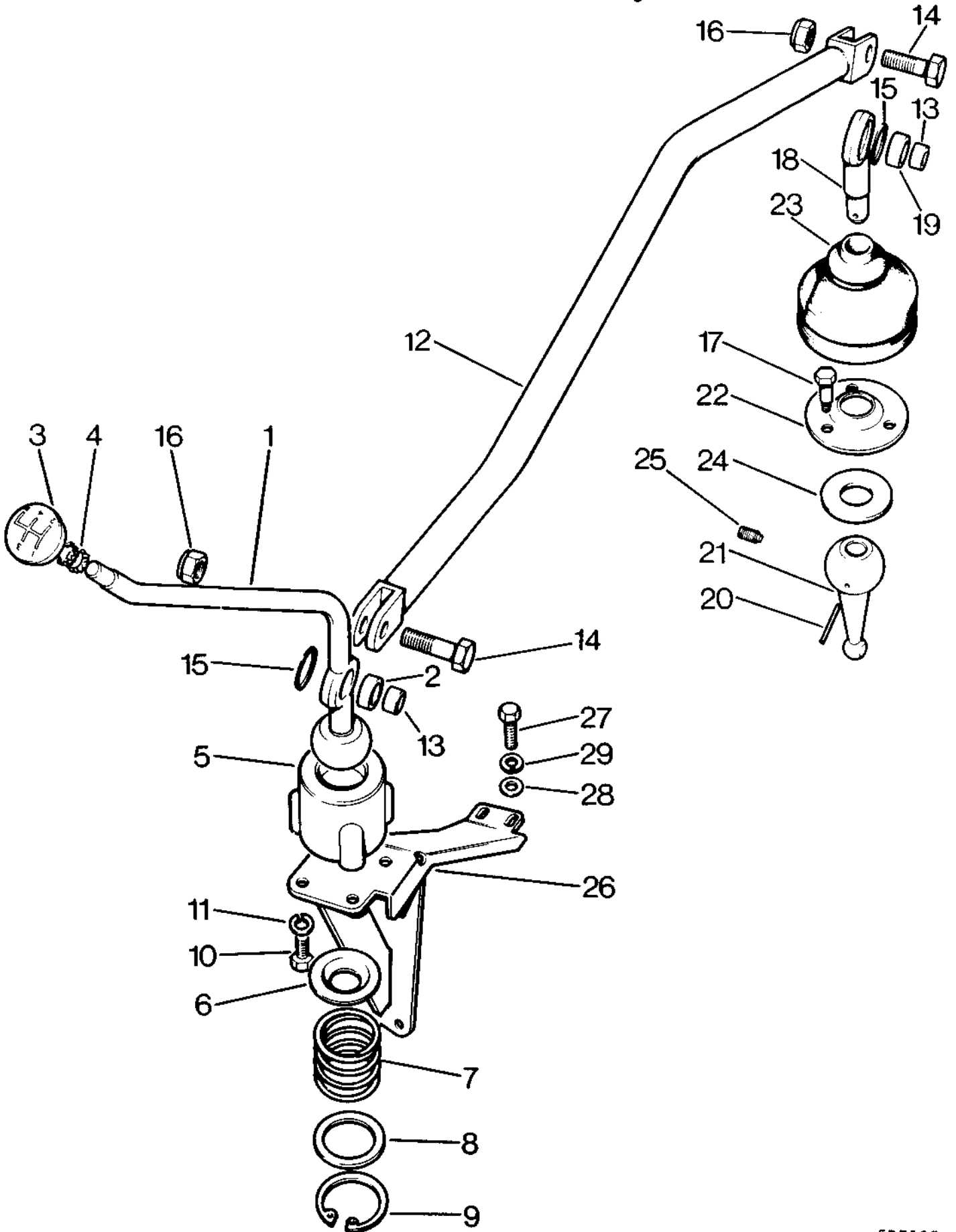


GEARBOX—Selectors and Levers, Transfer Gearbox

Plate					Qty	Part No.	REMARKS
Ref.	1	2	3	4			
1					1	571981	
2					1	571983	
3					1	897001	} Fixing fork to selector shaft
4					1	810004	
5					1	571982	
6					1	571158	
7					2	571146	
8					2	593802	
9					2	571980	
10					1	576344	
11					2	272596	
12					2	576149	
13					4	881181	
14					1	593983	
15					1	593981	
16					1	889875	} Fixing selector finger to cross-shaft
17					1	810004	
18					1	593976*	
19					1	576779	
20					1	593977*	

* Asterisk indicates a new part which has not been used on any previous model.

GEARBOX—Main Gear Lever and Linkage



5RE135

GEARBOX—Main Gear Lever and Linkage

Plate								
Ref.	1	2	3	4	DESCRIPTION	Qty	Part No.	REMARKS
					MAIN GEARCHANGE LEVER ASSEMBLY	1	624294*	RH Stg
					MAIN GEARCHANGE LEVER ASSEMBLY	1	624295*	LH Stg
1					GEAR LEVER AND BALL ASSEMBLY	1	598748*	RH Stg
					GEAR LEVER AND BALL ASSEMBLY	1	598749*	LH Stg
2					Bearing for lever	1	550873	
3					Knob for lever	1	571881	
4					Star tolerance ring	1	571661	
5					Housing for lever	1	219714	
6					Spherical seat	1	219721	
7					Spring retaining lever	1	544325	
8					Retaining plate for spring	1	543091	
9					Circlip fixing retaining plate	1	219797	
10					Bolt ($\frac{5}{16}$ " BSW \times $\frac{11}{16}$ ") } Fixing	4	90215647	
11					Spring washer } housing	4	WM600051	
12					Gearchange tube complete	1	594727*	
13					Spacer	2	594730*	
14					Bolt (M12 \times 40) } Fixing tube	2	896505*	
15					'O' ring } to levers	2	552338	
16					Self-locking nut (M12) (Nyloc) }	2	810502	
17					Bolt (M8 \times 22) lower gear lever to cover	3	576319	
					SELECTOR LEVER ASSEMBLY	1	622302*	
18					Extension, selector lever	1	622300*	
19					Bush for extension	1	550873	
20					Spring pin	1	622304*	
21					Gear lever, lower	1	622301*	
22					Spherical seat	1	576317	
23					Grommet, gear lever top cover	1	90576646	
24					Damper washer	1	622387*	
25					Locating pin for lever	1	576320	
26					Mounting bracket, gear lever	1	614870*	
27					Bolt ($\frac{5}{16}$ " UNC \times $\frac{7}{8}$ ") } Bracket	2	253027	
28					Plain washer } to	2	4047	
29					Spring washer } mounting bracket	2	WM600051	

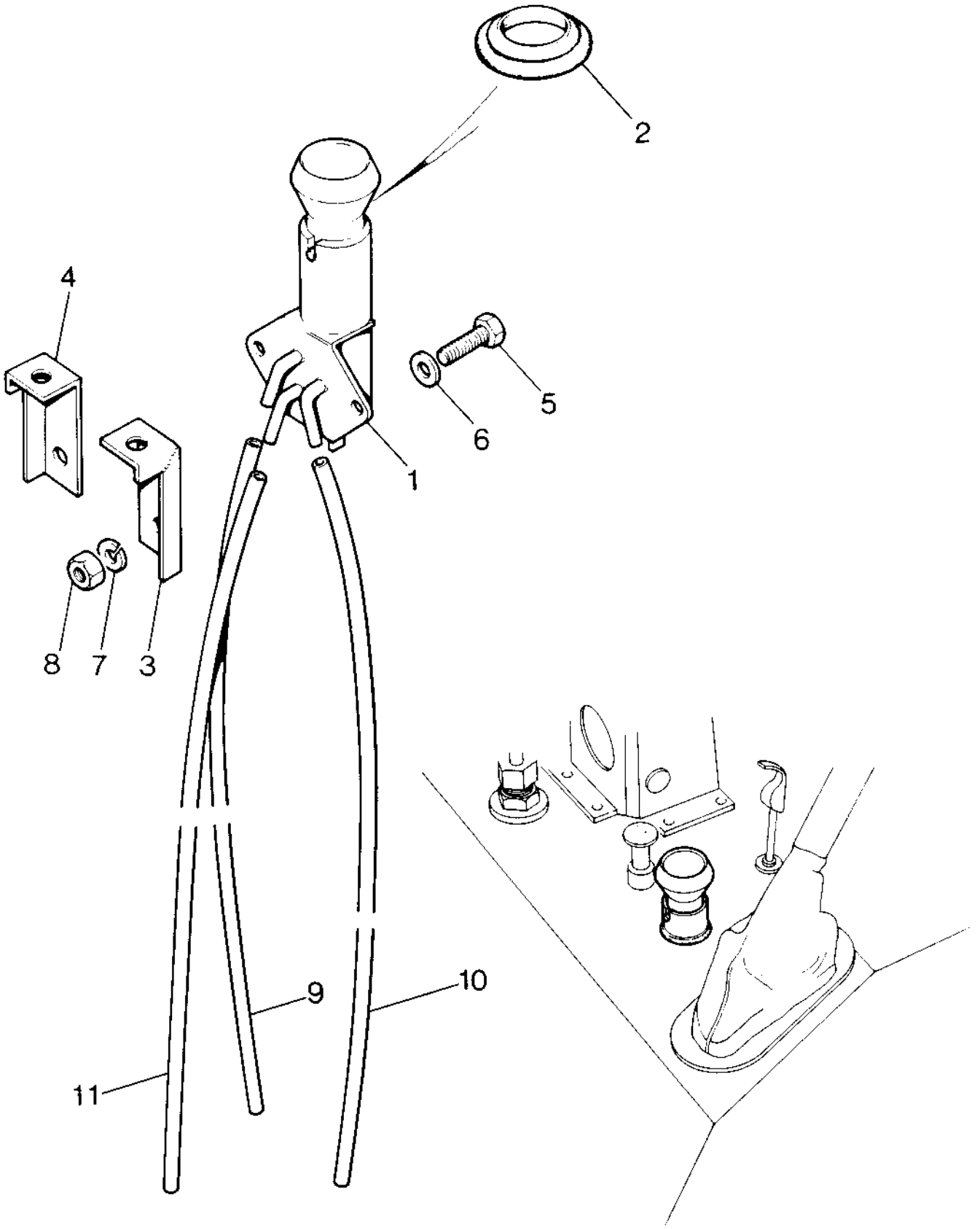
* Asterisk indicates a new part which has not been used on any previous model.

GEARBOX—Auxiliaries, Drive Transfer Lever Frame and Controls

Plate								Qty.	Part No.	REMARKS
Ref.	1	2	3	4	DESCRIPTION					
52								2	338020	} Only used when winch is not fitted
53							1	595230*		
54							2	338020		
55							1	595230*		

* Asterisk indicates a new part which has not been used on any previous model.

GEARBOX—Vacuum Control Valve



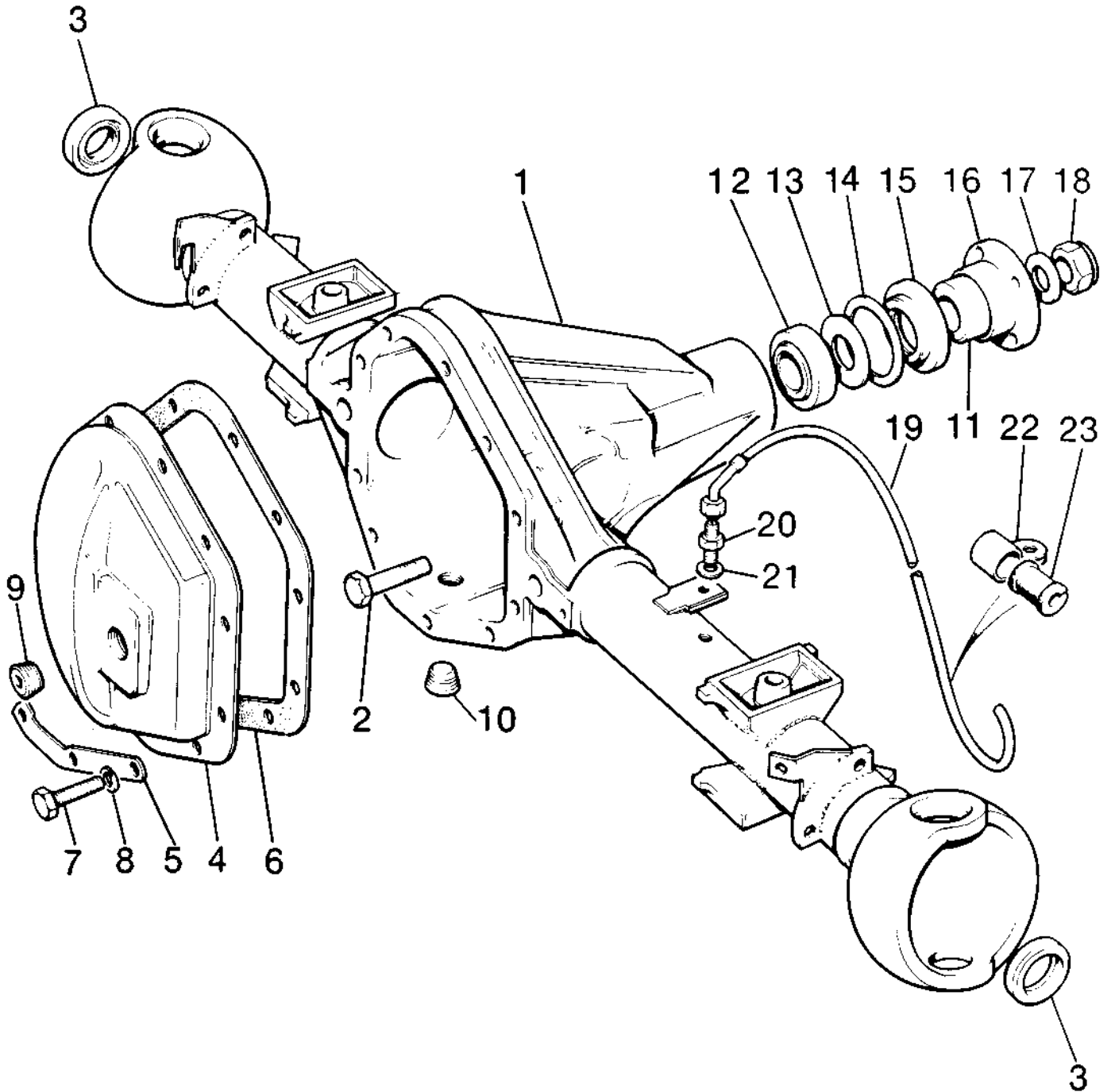
5RE378

GEARBOX—Vacuum Control Valve

Plate								
Ref.	1	2	3	4	DESCRIPTION	Qty.	Part No.	REMARKS
1					Vacuum control valve	1	622141	
2					Grommet for sealing control valve	1	233246	
3					Mounting bracket for control valve RH	1	399041*	
4					Mounting bracket for control valve LH	1	399042*	
5					Screw (M6×12)	4	890061	
6					Plain washer	4	851001	} Fixing brackets and control valve to radiator duct
7					Spring washer	4	810005	
8					Nut (M6)	4	NH106041	
9					Pipe, engine to valve	1	594233*	
10					Pipe, black	1	598703*	} Vacuum control valve to actuator
11					Pipe, natural	1	594232*	

* Astensk indicates a new part which has not been used on any previous model.

AXLES—Front Assembly



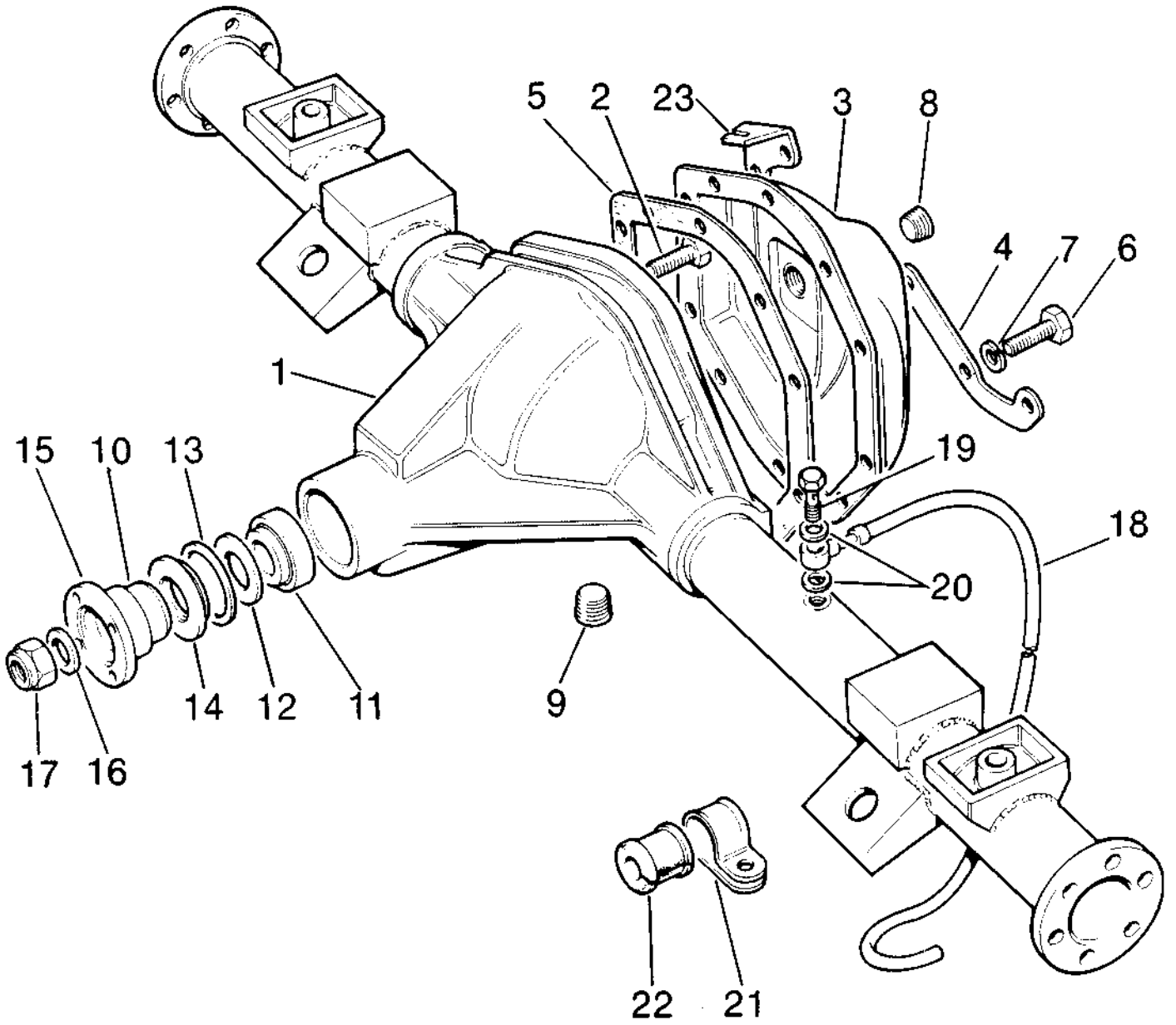
5RE136

AXLES—Front Assembly

Plate								
Ref.	1	2	3	4	DESCRIPTION	Qty	Part No.	REMARKS
					FRONT AXLE COMPLETE ASSEMBLY	1	608420*	
					FRONT AXLE ASSEMBLY	1	593852*	Comprises axle assembly 608420 less axle shafts, hubs and brakes
1					FRONT AXLE CASE ASSEMBLY	1	607359*	
2					Bolt (12 mm 60 mm) fixing differential bearing cap	4	607163	
3					Oil seal for rear axle shaft	2	599564	
4					Cover for gear carrier	1	RTC844	
5					Support plate for gear carrier cover	1	RTC845	
6					Gasket for cover	1	608247*	
7					Bolt (10 mm×15 mm) } Fixing cover to gear	10	607173	
8					Lock washer } carrier	10	607174	
9					Oil filler and level plug	1	608246	
10					Drain plug	1	608246	
11					Pinion bearing, outer	1	607181	
12					Pinion bearing, inner	1	607180	
13					Oil thrower washer for pinion	1	607182	
14					Gasket for pinion oil seal	1	607183	
15					Oil seal for pinion	1	RTC1010	
16					Driving flange for pinion	1	607185	
17					Washer for pinion	1	607357	
18					Locknut for pinion	1	90608545	
19					Breather pipe for axle	1	NRC1158	
20					Adaptor	1	598506*	
21					Joint washer	1	RTC1820	
22					Pipe clip	2	4557	
23					Grommet	2	6860	

* Asterisk indicates a new part which has not been used on any previous model.

AXLES—Rear Assembly



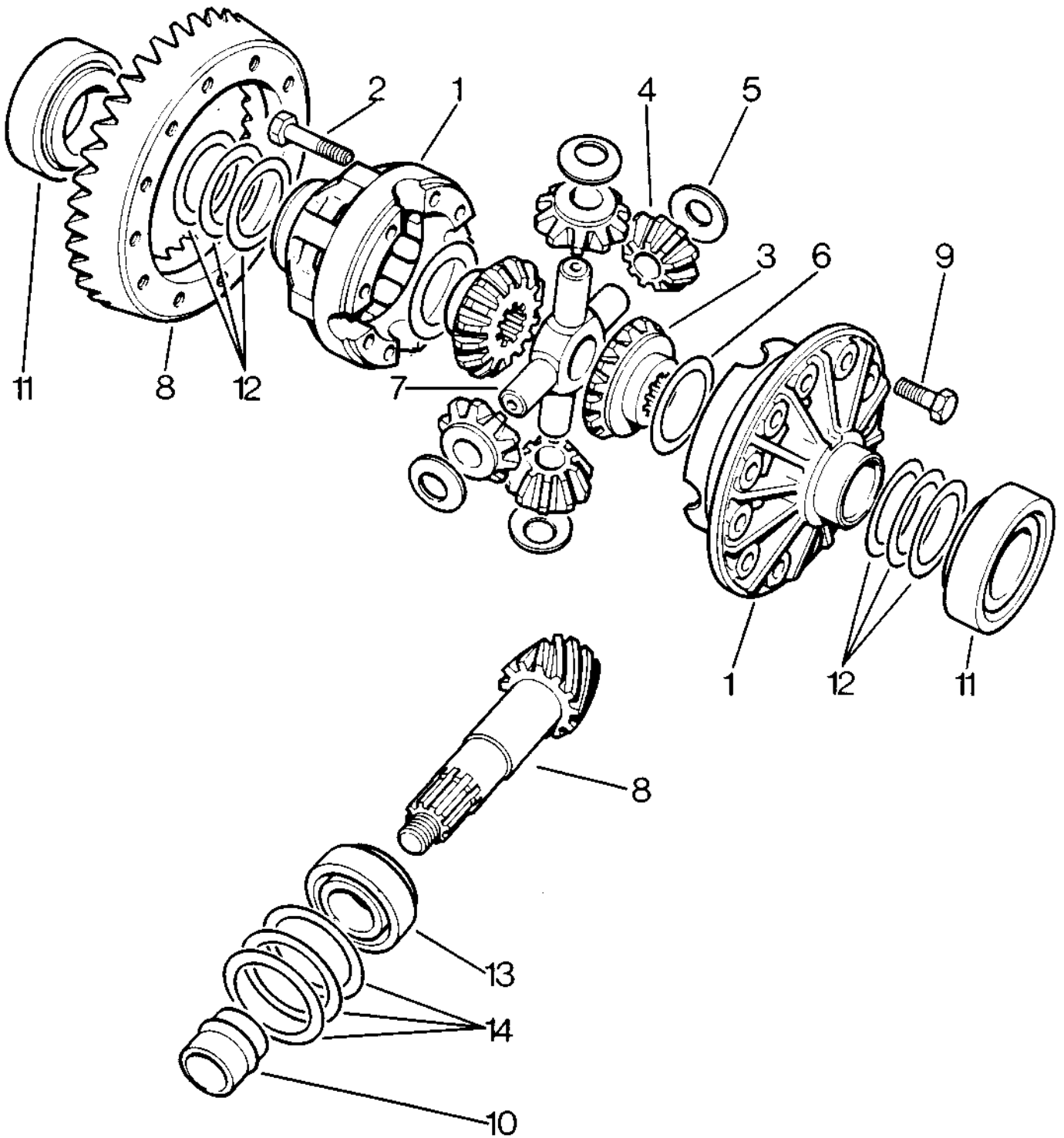
5RE141

AXLES—Rear Assembly

Plate								
Ref.	1	2	3	4	DESCRIPTION	Qty	Part No.	REMARKS
					REAR AXLE COMPLETE ASSEMBLY	1	593781*	
					REAR AXLE ASSEMBLY	1	593889*	Comprises axle assembly 593781 less axle shafts, hubs and brakes
1					REAR AXLE CASE ASSEMBLY	1	608250*	
2					Bolt (12 mm 60 mm) fixing differential bearing cap	4	607163*	
3					Rear cover for gear carrier	1	RTC844	
4					Support plate for gear carrier	1	RTC845	
5					Gasket for rear cover	1	608247*	
6				} Fixing rear cover to gear carrier	Bolt (10 mm x 15 mm)	10	607173	
7					Lock washer	10	607174	
8					Oil filler and level plug	1	608246	
9					Drain plug	1	608246	
10					Pinion bearing, outer	1	607181	
11					Pinion bearing, inner	1	607180	
12					Oil thrower washer for pinion	1	607182	
13					Gasket for pinion oil seal	1	607183	
14					Oil seal for pinion	1	RTC1010	
15					Driving flange for pinion	1	607185	
16					Washer for pinion	1	607357	
17					Locknut for pinion	1	90608545	
18					BREATHER PIPE, for axle case	1	598567*	
19					Banjo bolt	1	595478	
20					Joint washer	2	RTC1820	
21					Pipe clip	1	RTC637	
22					Grommet	1	6860	
23					Bracket for brake pipe jump hose	1	607186	

* Asterisk indicates a new part which has not been used on any previous model.

AXLES—Differential, Front and Rear



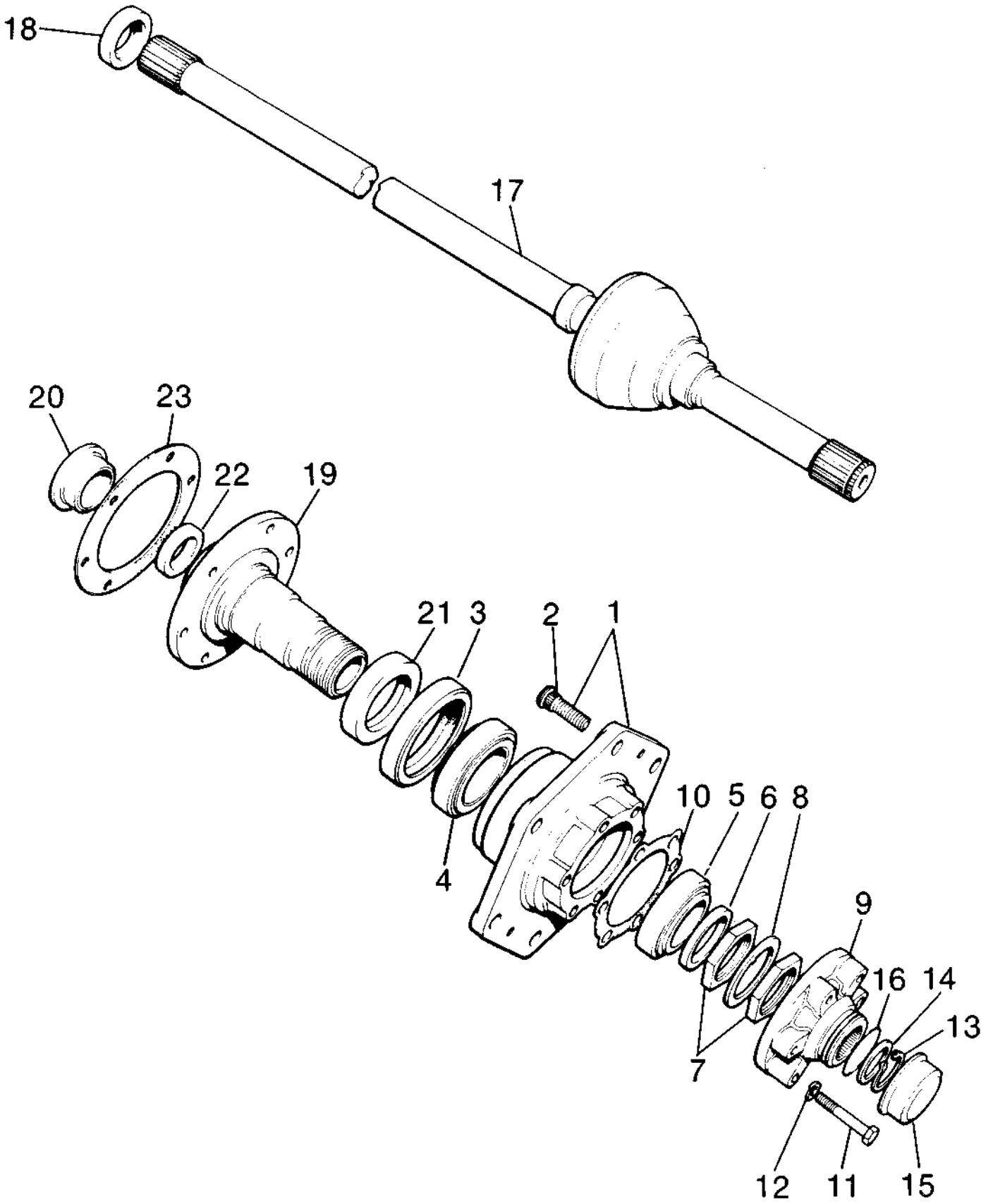
5RE216

AXLES—Differential, Front and Rear

Plate								
Ref.	1	2	3	4	DESCRIPTION	Qty	Part No.	REMARKS
1					DIFFERENTIAL CASE COMPLETE	2	607164	
2					Bolt (12 mm×50 mm) for differential case ..	16	607165	
3					Differential wheel	4	607358*	
4					Differential pinion	8	607167	
5					Thrust washer for differential pinion	8	607168	
6					Thrust washer for differential wheel	4	607169	
7					Cross-shaft for differential pinion	2	90607170	
8					CROWN WHEEL AND PINION ASSEMBLY	2	RTC1393*	
9					Bolt (12 mm×28 mm) fixing crown wheel ..	24	RTC773	
10					Collapsible spacer	2	607197	
11					Bearing for differential	4	607187	
12					Shim, 0.003" }	A/R	607188	
					Shim, 0.005" } For differential bearing	A/R	607189	
					Shim, 0.010" }	A/R	607190	
					Shim, 0.030" }	A/R	607191	
13					Pinion bearing, inner	2	607180	
14					Shim, 0.003" }	A/R	607177	
					Shim, 0.005" } For inner pinion bearing	A/R	607178	
					Shim, 0.010" }	A/R	607179	

*Asterisk indicates a new part which has not been used on any previous model.

AXLES—Front Hubs and Axle Shafts



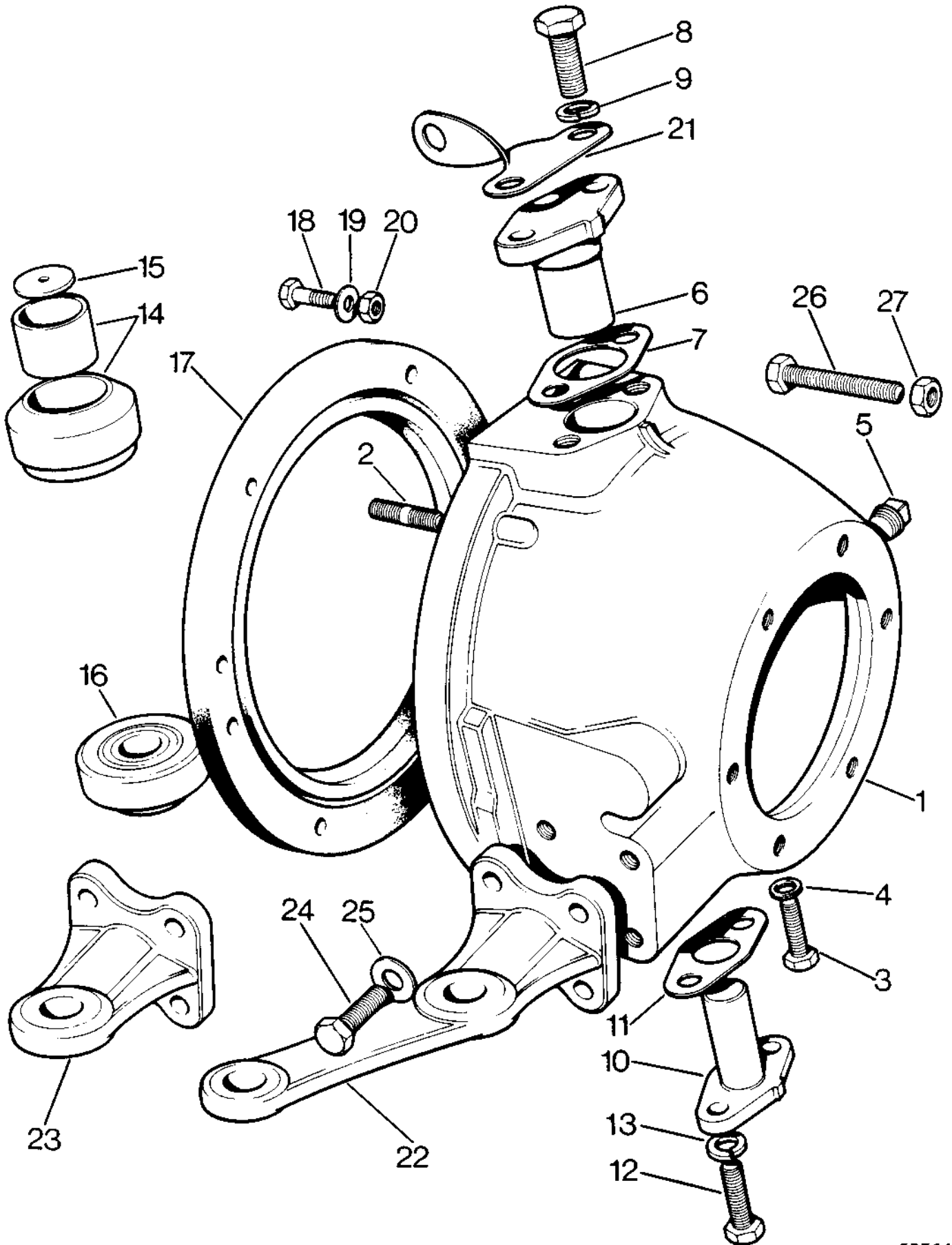
5RE67

AXLES—Front Hubs and Axle Shafts

Plate	Ref.	1	2	3	4	DESCRIPTION	Qty	Part No.	REMARKS
	1					FRONT HUB ASSEMBLY	2	622188*	
	2					Wheel stud	12	576825	
	3					Front hub oil seal	2	593965*	
	4					Front hub bearing complete, inner	2	607351*	
	5					Front hub bearing complete, outer	2	606474	
	6					Bearing washer } Fixing front hub	2	593869*	
	7					Locknut } to	4	593870*	
	8					Lock washer } stub axle	2	593871*	
	9					Drive flange	2	593803*	
	10					Joint washer for drive flange	2	593872*	
	11					Special bolt } Fixing drive flange	12	893405	
	12					Spring washer } to front hub	12	810002	
	13					Circlip for axle shaft	2	576288	
	14					Shim, 1.5 mm } For axle shaft	A/R	593876*	
						Shim, 1.63 mm	A/R	593877*	
						Shim, 1.76 mm	A/R	593878*	
						Shim, 1.89 mm	A/R	593879*	
						Shim, 2.02 mm	A/R	593880*	
						Shim, 2.15 mm	A/R	593881*	
						Shim, 2.28 mm	A/R	593882*	
						Shim, 2.41 mm	A/R	593883*	
						Shim, 2.54 mm	A/R	593884*	
						Shim, 2.67 mm	A/R	593885*	
						Shim, 2.80 mm	A/R	593886*	
	15					Hub cap	2	593873*	
	16					'O' ring for hub cap	2	593891*	
	17					Axle shaft complete assembly, LH	1	593839*	
						Axle shaft complete assembly, RH	1	593838*	
	18					Oil seal for axle shaft	2	599564	
	19					STUB AXLE ASSEMBLY	2	593806*	
	20					Bush for axle shaft	2	571821	
	21					Spacer for front hub bearing	2	576294	
	22					Felt seal for stub axle	2	593863*	
	23					Joint washer, stub axle to swivel pin housing	2	593862*	

* Asterisk indicates a new part which has not been used on any previous model.

AXLES—Swivel Pin Housing



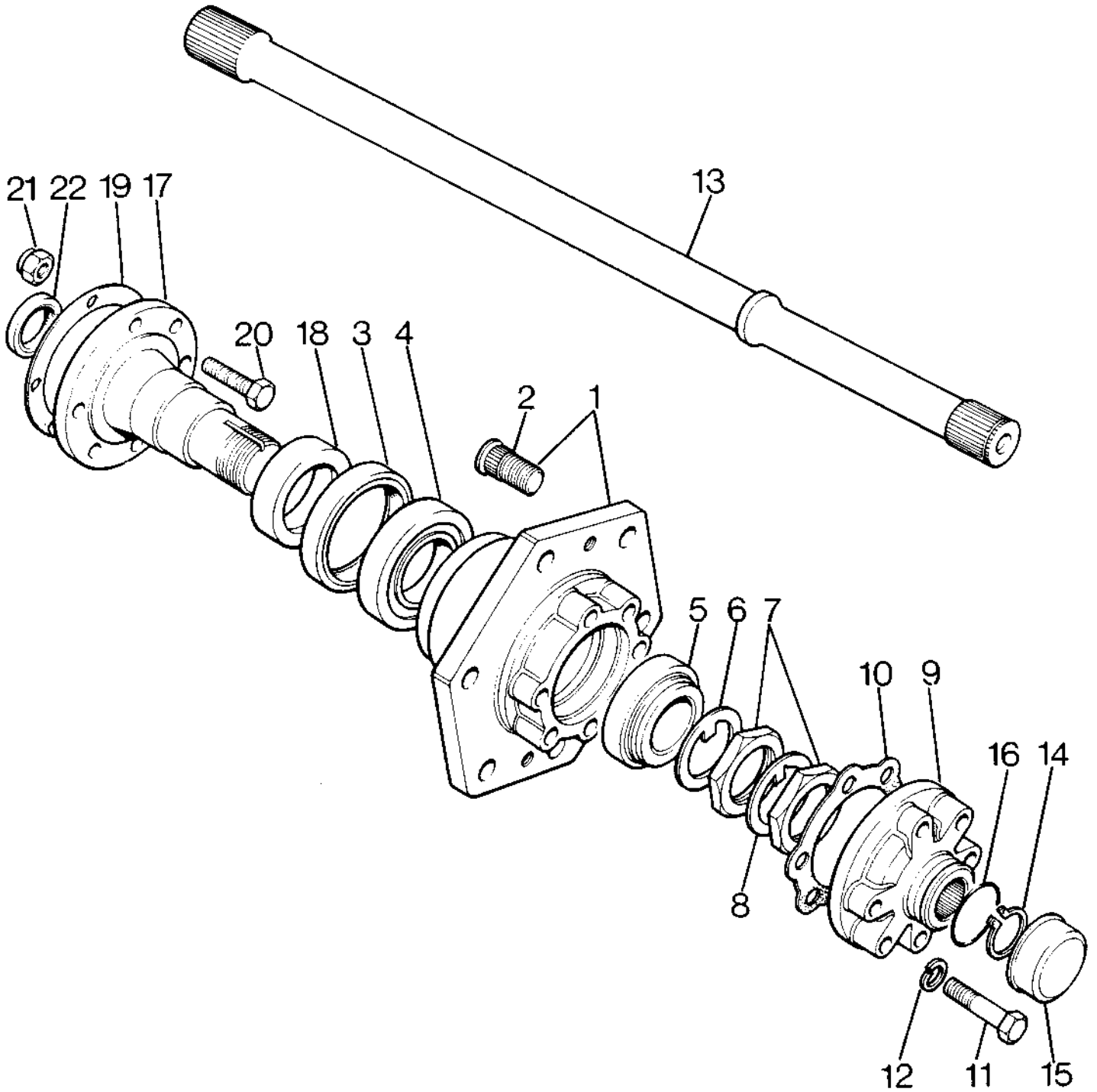
5RE64

AXLES—Swivel Pin Housing

Plate									
Ref.	1	2	3	4	DESCRIPTION	Qty	Part No.	REMARKS	
1					HOUSING FOR SWIVEL PIN, RH	1	593893*		
					HOUSING FOR SWIVEL PIN, LH	1	593894*		
2					Stud for swivel pin housing	8	811720		
3					Bolt (drain plug)	2	889825		
4					Washer for bolt	2	232038		
5					Filler plug for housing	2	3292		
6					Swivel pin, upper	2	593857*		
7					Shim for upper swivel pin, 0.1 mm	A/R	593854*		
					Shim for upper swivel pin, 0.3 mm	A/R	593855*		
					Shim for upper swivel pin, 0.8 mm	A/R	593856*		
8					Bolt (M12×35) } Fixing upper	4	SH112355		
9					Spring washer } swivel pin	4	810002*		
10					Swivel pin, lower	2	593858*		
11					Joint washer for lower swivel pin	2	593859*		
12					Bolt (M10×30) } Fixing lower	4	889667		
13					Spring washer } swivel pin	4	810003		
14					Railko bush and housing } For upper	2	539742		
15					Thrust washer } swivel pin	2	528702		
16					Bearing for lower swivel pin	2	217268		
17					Oil seal for swivel pin housing	2	593688*		
18					Bolt (M8×20) } Fixing oil seal to	8	889867		
19					Plain washer } swivel pin housing	16	850815		
20					Nut (M8)	8	853047		
21					Bracket for brake pipe jump hose.	2	594090*		
22					Steering lever LH	1	593732*	RH Stg	
					Steering lever RH	1	593734*	LH Stg	
23					Track rod lever	1	593733*		
24					Bolt (M10×30) } Fixing levers to	8	889661		
25					Plain washer } swivel pin housing	8	593693		
26					Lockstop for steering	2	889711		
27					Nut for lockstop	2	853037		

* Asterisk indicates a new part which has not been used on any previous model.

AXLES—Rear Hubs and Axle Shafts



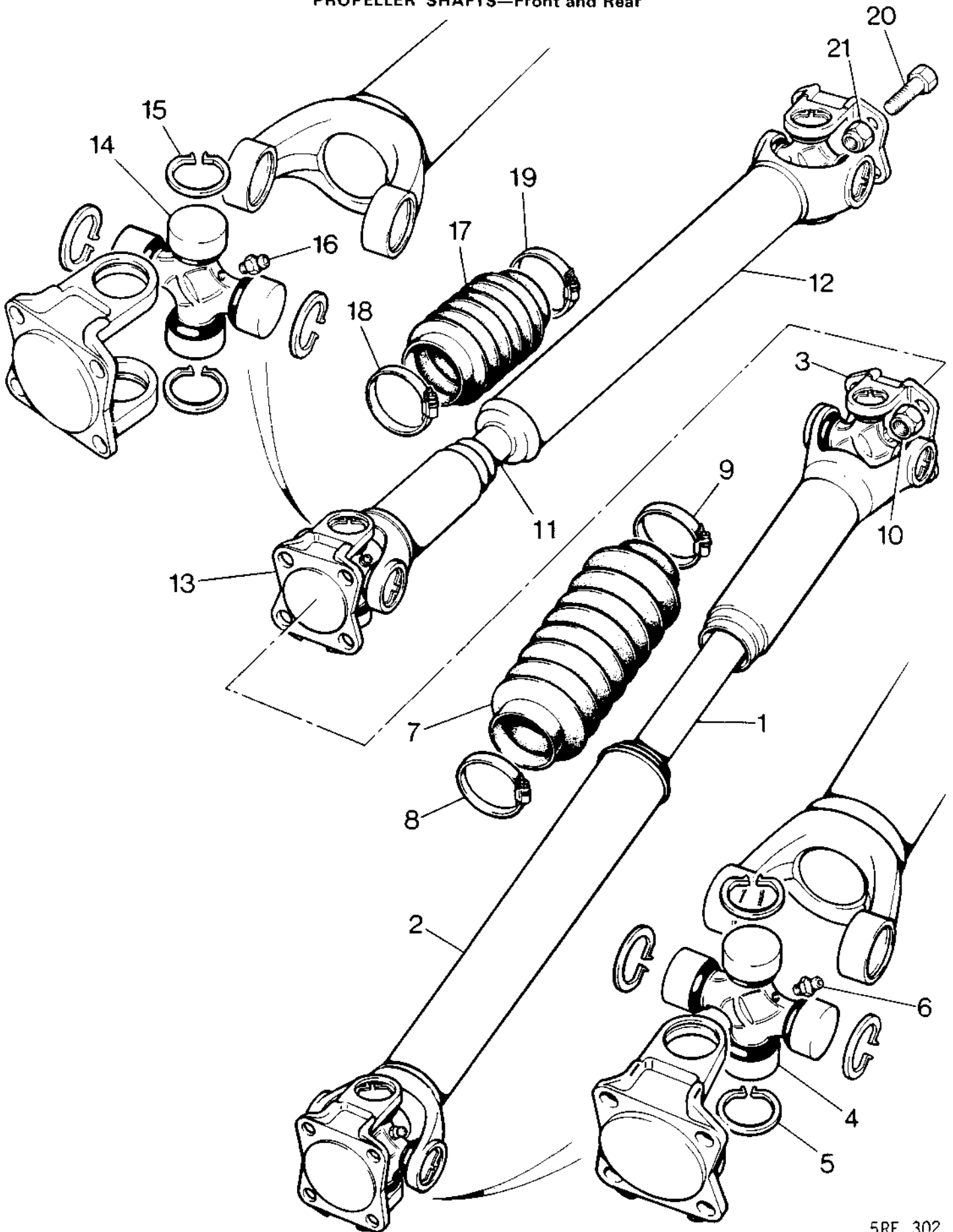
5RE234

AXLES—Rear Hubs and Axle Shafts

Plate Ref.	1	2	3	4	DESCRIPTION	Qty	Part No.	REMARKS
1					REAR HUB ASSEMBLY	2	622188*	
2					Wheel stud	12	576825*	
3					Rear hub oil seal	2	593965*	
4					Rear hub bearing complete, inner	2	607351*	
5					Rear hub bearing complete, outer	2	606474*	
6					Bearing washer	2	593869*	
7					Locknut	4	593870*	} Fixing rear hub to bearing sleeve
8				Lock washer	2	593871*		
9				Drive flange for axle shaft	2	593803*		
10					Joint washer for drive flange	2	593872*	
11					Special bolt	12	893405*	} Fixing drive flange
12					Spring washer	12	810002*	
13					Axle shaft, LH	1	593901*	
					Axle shaft, RH	1	593900*	
14					Circlip for axle shaft	2	576288	
15					Hub cap	2	593873*	
16					'O' ring for hub cap	2	593891*	
17					REAR HUB BEARING SLEEVE ASSEMBLY	2	593807*	
18					Hub bearing spacer	2	593808*	
19					Joint washer, bearing sleeve to gear carrier flange	2	GFG103	
20					Bolt (M10×35)	12	800005	} Fixing bearing sleeve
21					Self-locking nut (M10)	12	810503	
22					Felt seal for bearing sleeve	2	593863*	

* Asterisk indicates a new part which has not been used on any previous model.

PROPELLER SHAFTS—Front and Rear

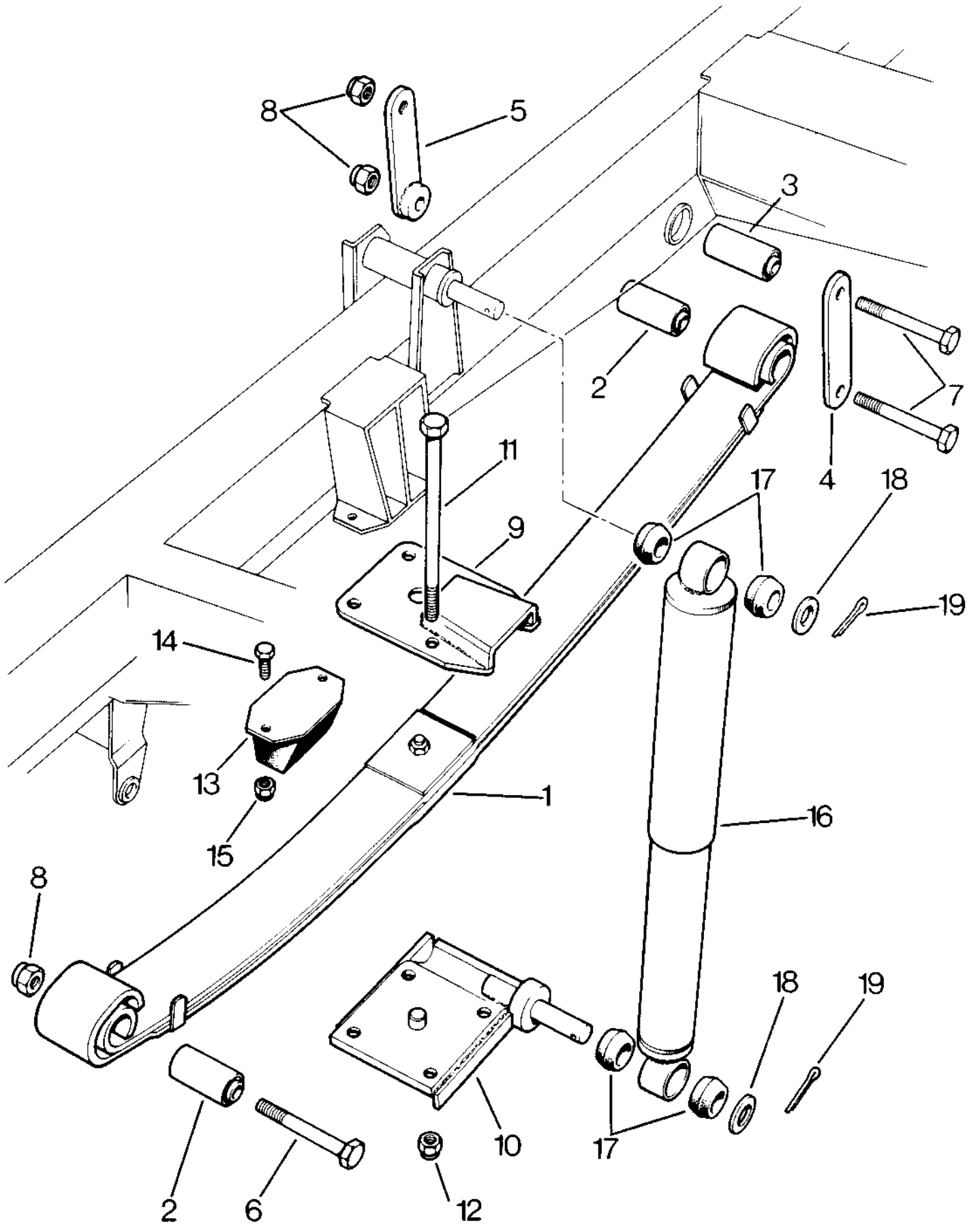


5RE 302

PROPELLER SHAFTS—Front and Rear

Plate								
Ref.	1	2	3	4	DESCRIPTION	Qty	Part No.	REMARKS
					FRONT PROPELLER SHAFT ASSEMBLY	1	593899*	
1					Splined stub shaft for propeller shaft	1	AAU2440*	
2					Splined end } For propeller shaft	1	AAU2437*	
3					Flange }	2	606653	
4					JOURNAL COMPLETE FOR PROPELLER SHAFT	2	GUJ117	
5					Circlip for journal	8	242522	
6					Grease nipple for journal	2	549229	
7					Gaiter for propeller shaft	1	AAU2443*	
8					Clip for gaiter	1	GHC1217	
9					Clip for gaiter	1	AAU2439*	
10					Self locking nut ($\frac{3}{8}$ " UNF) propeller shaft to gearbox	8	252162	
					REAR PROPELLER SHAFT ASSEMBLY	1	593898*	
11					Splined stub shaft for propeller shaft	1	606651	
12					Splined end } For propeller shaft	1	AAU2438*	
13					Flange }	2	606653	
14					JOURNAL COMPLETE FOR PROPELLER SHAFT	2	GUJ117	
15					Circlip for journal	8	242522	
16					Grease nipple for journal	2	549229	
17					Gaiter for propeller shaft	1	276483	
18					Clip for gaiter	1	GHC1217	
19					Clip for gaiter	1	AAU2439*	
20					Bolt ($\frac{3}{8}$ " UNF \times $1\frac{1}{8}$ " long)	8	509045	} Fixing propeller shaft to front and rear axles
21					Self locking nut ($\frac{3}{8}$ " UNF)	8	252162	

SUSPENSION—Front Road Springs and Shock Absorbers



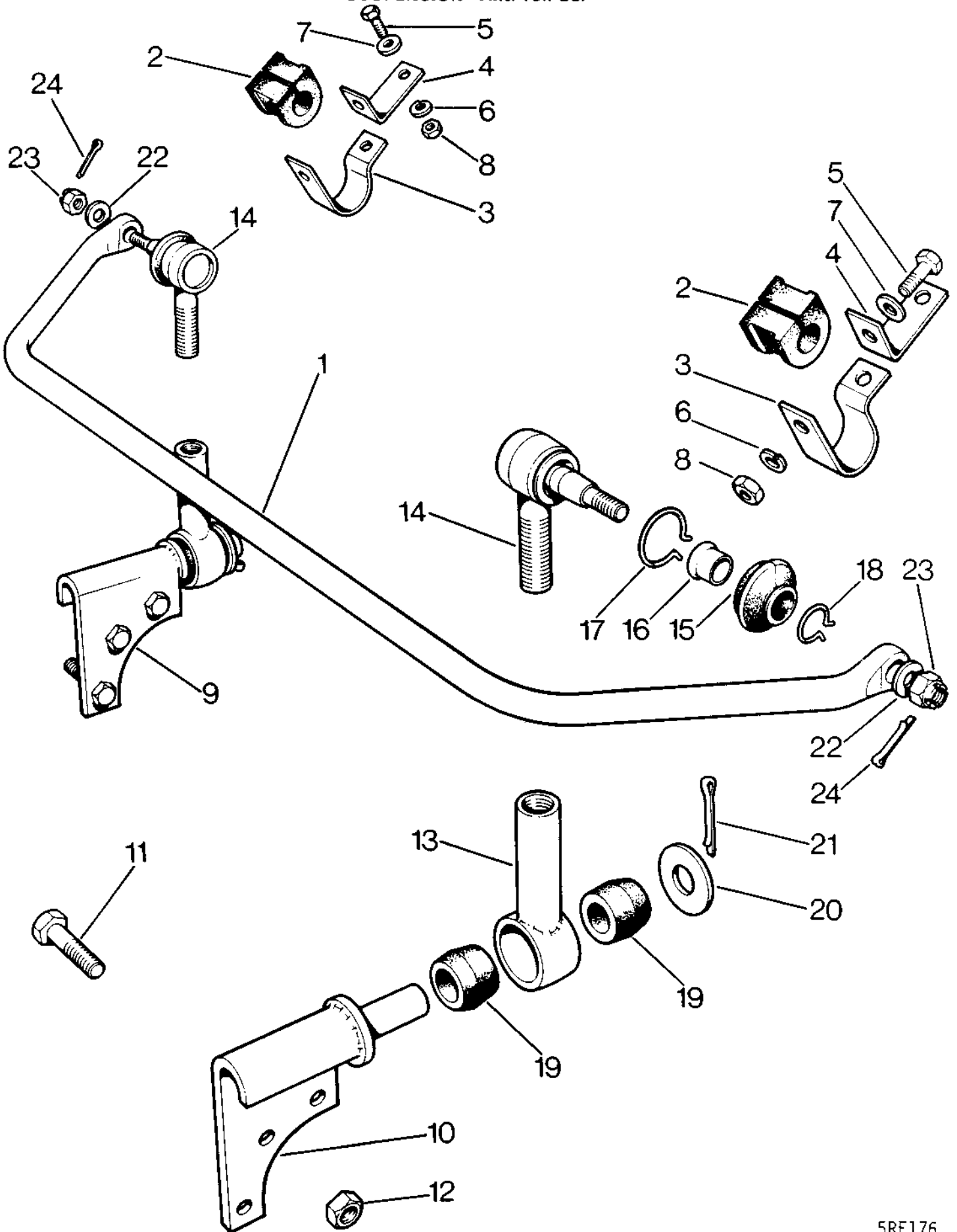
5RE218

SUSPENSION—Front Road Springs and Shock Absorbers

Plate								
Ref.	1	2	3	4	DESCRIPTION	Qty	Part No.	REMARKS
1					FRONT ROAD SPRING COMPLETE	2	592736*	
2					Bush for spring eye	4	592737*	
3					Bush, in chassis frame for front spring shackle	2	592740*	
4					Shackle plate, outer, plain	2	592741*	
5					Shackle plate, inner, tapped	2	595229*	
6					Shackle pin, front	2	595237*	} For front spring
7					Shackle pin, rear	4	595238*	
8					Self-locking nut (M14)	6	810509*	
9					Top plate for LH front spring	1	599395*	
					Top plate for RH front spring	1	599398*	
10					Bottom plate for LH front spring	1	592753*	
					Bottom plate for RH front spring	1	592747*	
11					Special bolt	8	800006	} Fixing top plate to bottom plate
12					Self-locking nut (M12)	8	810502	
13					Buffer for axle	2	592698*	3 required for BAC vehicles
14					Bolt (M6×14)	4	890077	} Fixing buffers to chassis frame
15					Self-locking nut (M6)	4	810505	
16					FRONT SHOCK ABSORBER	2	NRC1367*	
17					Rubber bush, top and bottom	8	599017*	
18					Washer plate	4	4261*	} Fixing front shock absorber, top and bottom end
19					Split pin	4	852071*	

* Asterisk indicates a new part which has not been used on any previous model.

SUSPENSION—Anti-roll Bar



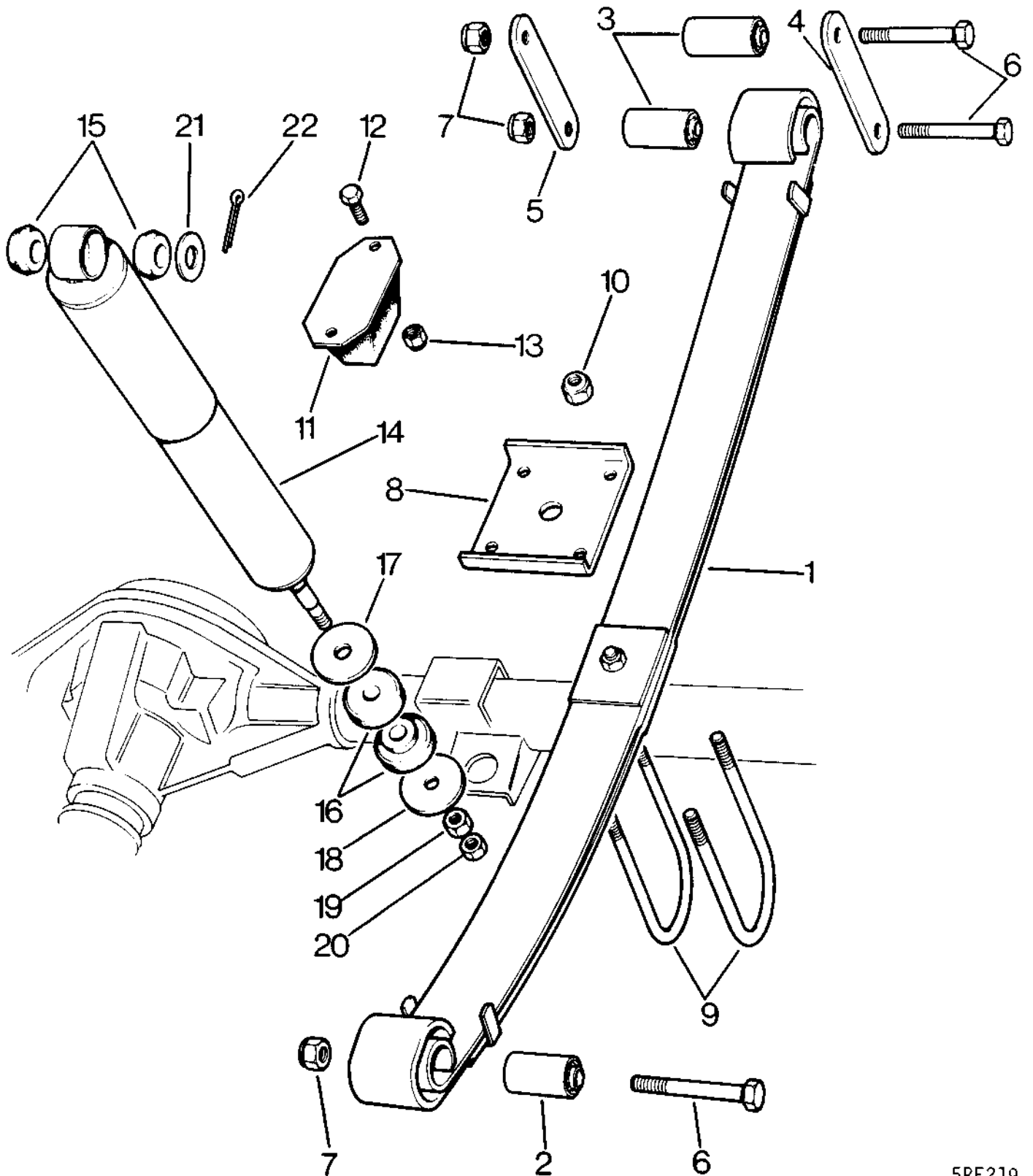
5RE176

SUSPENSION—Anti-roll Bar

Plate									
Ref.	1	2	3	4	DESCRIPTION	Qty	Part No.	REMARKS	
1					Anti-roll bar (front)	1	NRC97*		
2					Bush for anti-roll bar	2	NRC1241*		
3					Retaining clip for bush	2	NRC1240*		
4					Plate	2	NRC1243*		
5					Screw (M10×30)	4	889661	} Fixing anti-roll bar to chassis frame mounting	
6					Spring washer	4	810003		
7					Plain washer	4	850601		
8					Nut (M10)	4	853031		
9					Mounting plate, RH	1	NRC1236*		
10					Mounting plate, LH	1	NRC1237*		
11					Screw (M10×30)	6	889661	} Fixing mounting plates to axle flanges	
12					Nut (M10)	6	810503		
13					LINK ASSEMBLY FOR ANTI-ROLL BAR	2	90624244*		
14					BALL JOINT ASSEMBLY, RH THREAD	2	599488*		
15					Rubber cover for ball joint	2	214649		
16					Retainer for cover	2	214662		
17					Spring ring, cover to body	2	214685		
18					Spring ring, cover to retainer	2	90214684		
19					Bush	4	552819	} Fixing link assembly to mounting plates	
20					Plain washer	2	850021		
21					Split pin	2	852071		
22					Plain washer	2	850421		
23					Castle nut (M12)	2	853771	} Fixing anti-roll bar to link assembly	
24					Split pin	2	852467		

* Asterisk indicates a new part which has not been used on any previous model.

SUSPENSION—Rear Road Springs and Shock Absorbers



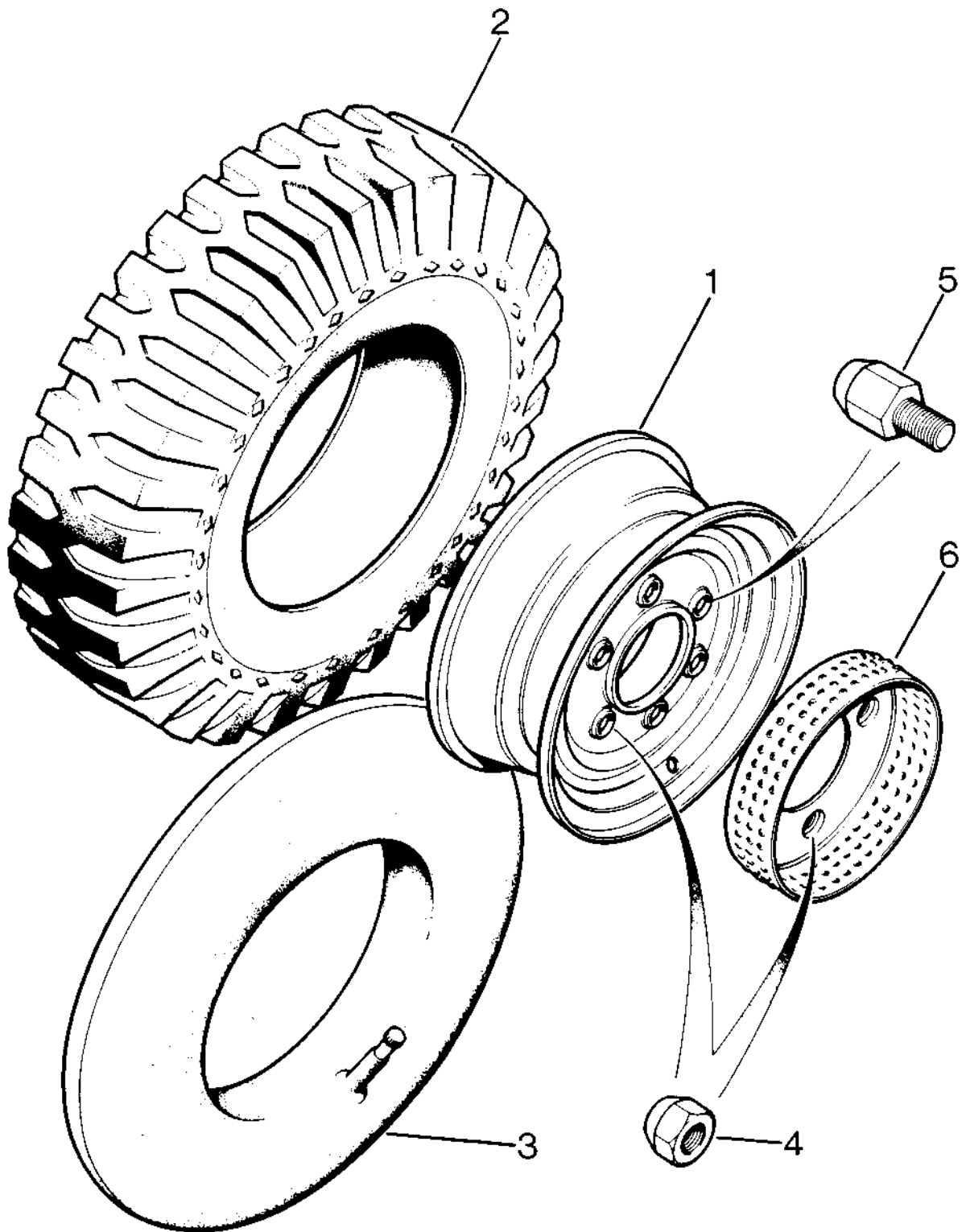
5RE219

SUSPENSION—Rear Road Springs and Shock Absorbers

Plate Ref.	1 2 3 4	DESCRIPTION	Qty	Part No.	REMARKS
1		ROAD SPRING COMPLETE, REAR	2	592634*	
2		Bush for spring eye	4	592737*	
3		Bush in chassis frame for rear spring shackle ..	2	592737*	
4		Shackle plate, outer, plain	2	592741*	
5		Shackle plate, inner, tapped	2	592743*	
6		Shackle pin	6	595237*	
7		Self locking nut (14 mm)	6	810509*	
8		Top plate for rear spring	2	592635*	
9		'U' bolt	4	624130*	
10		Self locking nut (M12)	8	810502	
11		Buffer for axles, front and rear	2	592698*	3 required for BAC vehicles
12		Bolt (6 mm×14 mm long)	4	890077*	
13		Self locking nut (6 mm)	4	810505	
14		SHOCK ABSORBER, REAR	2	NRC1368*	
15		Rubber bush, top	4	599017*	
16		Rubber bush, bottom	4	592644*	
17		Washer plate, upper	2	594738*	
18		Washer plate, lower	2	594739*	
19		Nut ($\frac{9}{16}$ " UNF)	2	254805*	
20		Locknut ($\frac{9}{16}$ " UNF)	2	254855	
21		Washer plate	2	4261*	
22		Split pin	2	852071*	

* Asterisk indicates a new part which has not been used on any previous model.

SUSPENSION—Road Wheel—Tyre and Wheel Step



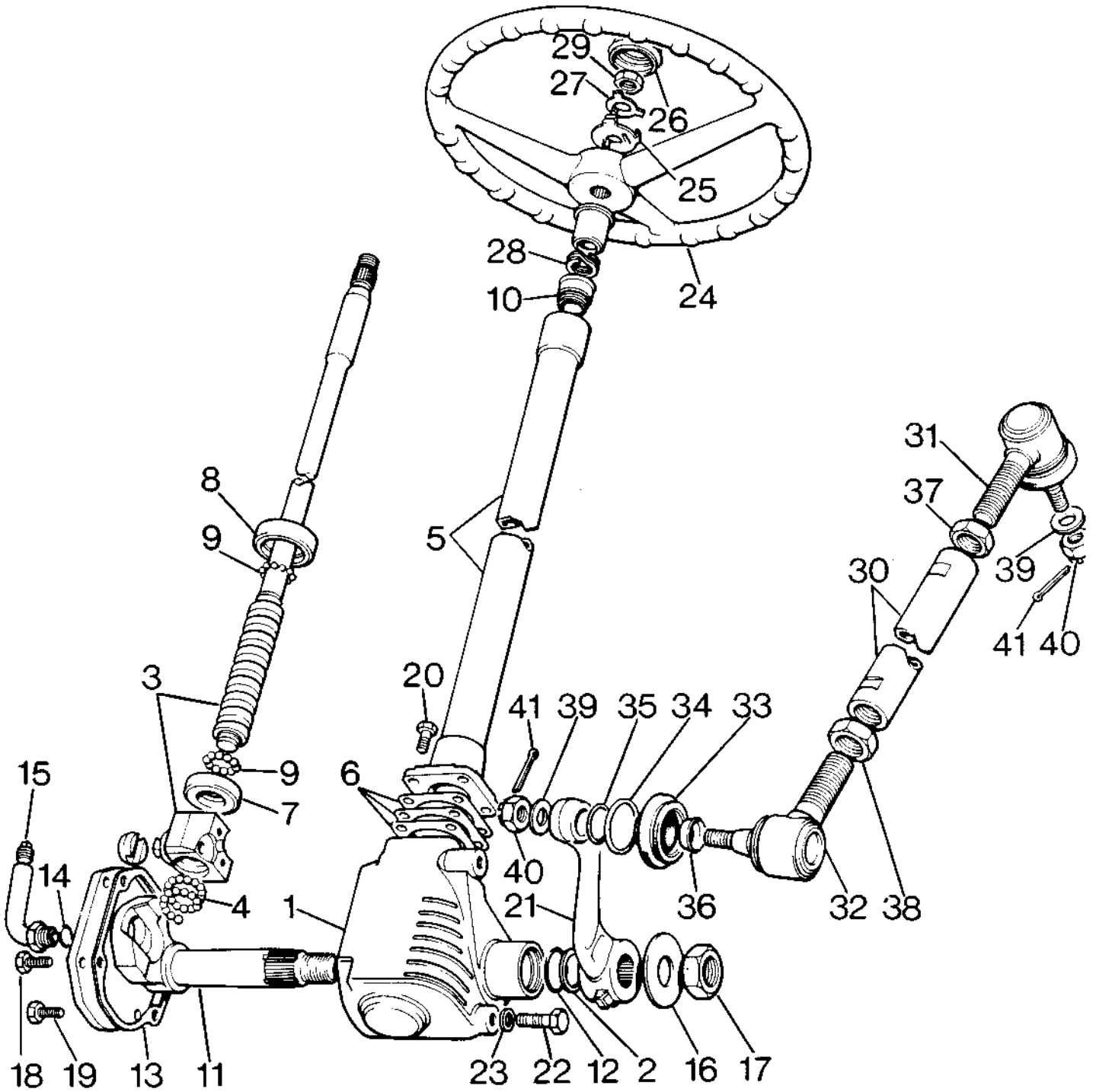
5RE205

SUSPENSION—Road Wheel—Tyre and Wheel Step

Plate						Qty	Part No.	REMARKS
Ref.	1	2	3	4	DESCRIPTION			
1	Road wheel, 6½L×16"	5	NRC130*
2	Tyre, Goodyear	5	545822
3	Inner tube	5	526505*
4	Nut for road wheel	24	90577473
5	Stud adaptor	6	592926*
6	Wheel step	2	NRC1202*

* Asterisk indicates a new part which has not been used on any previous model.

STEERING—Column and Linkage

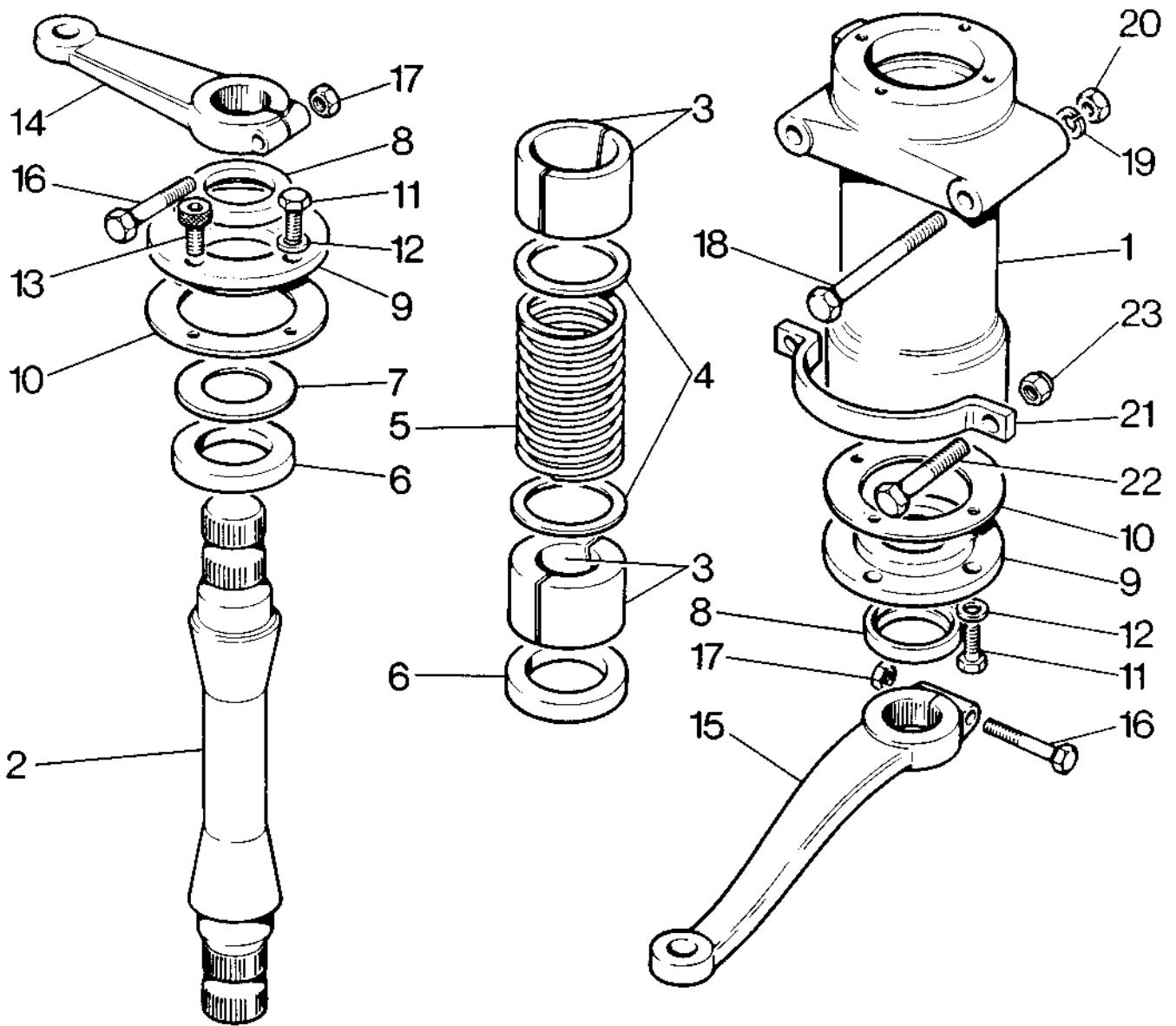


STEERING—Column and Linkage

Plate Ref.	1	2	3	4	DESCRIPTION	Qty	Part No.	REMARKS
					STEERING UNIT ASSEMBLY COMPLETE	1	599402*	RH Stg
					STEERING UNIT ASSEMBLY COMPLETE	1	599403*	LH Stg
1					STEERING BOX ASSEMBLY	1	608230*	RH Stg
					STEERING BOX ASSEMBLY	1	608229*	LH Stg
2					Washer, oil seal retainer	1	541942	
3					INNER COLUMN AND MAIN NUT ASSEMBLY	1	608231*	RH Stg
					INNER COLUMN AND MAIN NUT ASSEMBLY	1	608232*	LH Stg
4					Steel ball for main nut	27	605512	
5					Outer column	1	608233*	
6					Joint washer, steel, 0.005" } Outer column to	A/R	261858	
					Joint washer, paper, 0.005" } box	A/R	261857	
					Joint washer, paper, 0.002" } box	A/R	271379	
					Joint washer, steel, 0.010" } box	A/R	521522	
7					Adjustable ball race, small } For inner	1	271384	
8					Adjustable ball race, large } column	1	90607071	
9					Steel balls for adjustable ball race } column	20	607062	
10					Bearing for steering column tube	1	RTC324	
11					Rocker shaft	1	608235*	
12					Oil seal for rocker shaft	1	RTC325	
13					Joint washer for cover plate	1	607065	
14					Oil seal for boss	1	RTC326	
15					Oil filler plug	1	608237*	
16					Tab washer	1	600265	
17					Special nut	1	254858	
18					Bolt } Fixing cover plate	2	607993	
19					Bolt }	2	607991	
20					Bolt, fixing column to steering box	4	607992	
21					Drop arm	1	592703*	RH Stg
					Drop arm	1	624319*	LH Stg
22					Bolt (M10×25) } Fixing steering unit to frame	3	SH110251	
23					Spring washer }	3	810003	
24					Steering wheel	1	595224*	
25					Cover base for steering wheel	1	595195*	
26					Centre cover for steering wheel	1	595196*	
27					Tab washer }	1	577320	
28					Spring washer } Fixing wheel to column	1	551984	
29					Nut }	1	552804	
					LONGITUDINAL STEERING TUBE ASSEMBLY	1	624288*	
30					Longitudinal steering tube only	1	624291*	
31					BALL JOINT ASSEMBLY, R.H. THREAD	1	599488*	
32					BALL JOINT ASSEMBLY, L.H. THREAD	1	599489*	
33					Rubber cover for ball joint	2	214649	
34					Spring ring, cover to body	2	214685	
35					Spring ring	2	90214684	
36					Retainer	2	214662	
37					Locknut, M20, RH thread	1	624017	
38					Locknut, M20, LH thread	1	624018	
39					Plain washer }	2	850421*	
40					Castle nut (12M) } Fixing ball joints to drop	2	853771*	
41					Split pin }	2	852467*	

* Asterisk indicates a new part which has not been used on any previous model.

STEERING—Relay

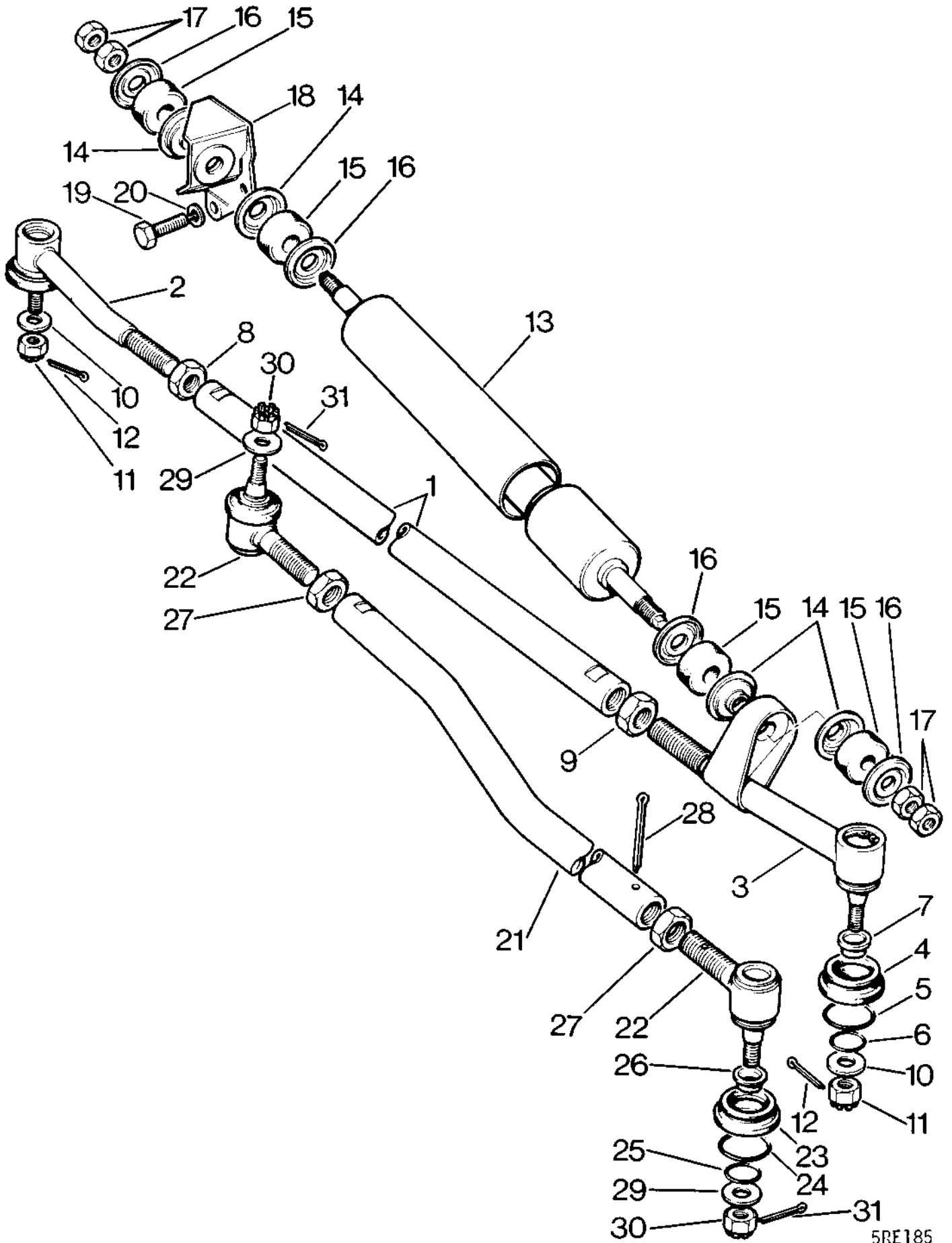


STEERING—Relay

Plate Ref.	1	2	3	4	DESCRIPTION	Qty	Part No.	REMARKS
					STEERING RELAY COMPLETE ASSEMBLY	..	1 NRC216*	
1					Housing for relay shaft	1	NRC217*	
2					Shaft for steering relay lever	1	NRC218*	
3					Split bush for housing, halves	4	NRC171*	
4					Washer for spring	2	230760	
5					Spring for housing	1	230759	
6					Thrust washer for shaft	2	NRC169*	
7					Shim	A/R	NRC170*	
8					Oil seal for shaft	2	213340	
9					Retainer for oil seal	2	230294	
10					Joint washer for retainer	2	90624436	
11					Special bolt } Fixing retainer to housing	6	SH106161	
12					Plain washer }	6	RTC840	
13					Hexagon head socket cap screw, M6×16 (to facilitate lubrication)	2	SS106160	
14					Relay lever, upper	1	NRC239*	
15					Relay lever, lower	1	NRC240*	
16					Bolt (12 mm×55 mm) } Fixing relay lever to	2	896535	
17					Self-locking nut (12 mm) } shaft	2	810502	
18					Bolt (8 mm×90 mm) } Fixing relay housing to	2	897121	
19					Spring washer } frame	2	810024	
20					Nut (8 mm) }	2	853047	
21					Clamp } Steering relay complete to cross-	1	NRC248*	
22					Bolt (M8×30) } member	4	897001	
23					Self-locking nut }	4	NY108041	

* Asterisk indicates a new part which has not been used on any previous model.

STEERING—Linkage



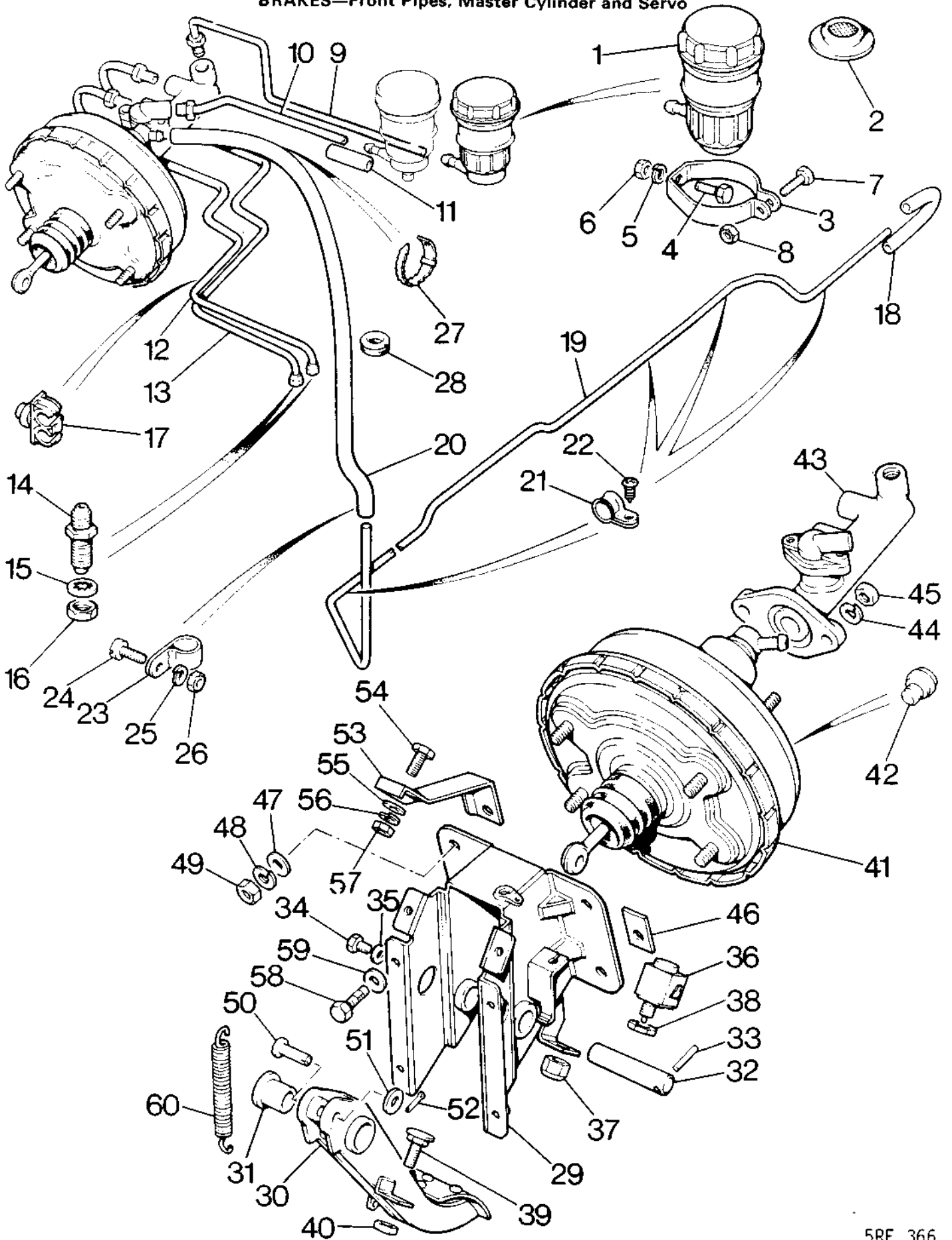
5RE185

STEERING—Linkage

Plate								
Ref.	1	2	3	4	DESCRIPTION	Qty	Part No.	REMARKS
					STEERING TRACK ROD ASSEMBLY	1	624289*	
1					Steering track rod tube only	1	624292*	
2					BALL JOINT ASSEMBLY, RH THREAD	1	599496*	
3					BALL JOINT ASSEMBLY, LH THREAD	1	599497*	
4					Rubber cover for ball joint	2	214649	
5					Spring ring, cover to body	2	214685	
6					Spring ring } Fixing cover to ball	2	90214684	
7					Retainer }	2	214662	
8					Locknut (M20) RH thread	1	624017	
9					Locknut (M20) LH thread	1	624018	
10					Plain washer } Fixing ball joints	2	850425	
11					Castle nut } to swivel housing	2	853775	
12					Split pin } steering levers	2	852467	
13					Steering damper	1	569005	
14					Inner stem cup washer } Fixing damper	4	543819	
15					Stem rubber } to axle bracket	4	568858	
16					Outer stem cup washer } and LH track	4	543818	
17					Locknut ($\frac{3}{8}$ " UNF) } rod ball joint	4	254862	
18					Bracket for steering damper	1	592733	
19					Bolt (8 mm x 16 mm) } Fixing damper	3	SH108161	
20					Spring washer } bracket to axle	3	810004	
					STEERING DRAG LINK ASSEMBLY	1	624290*	
21					Steering drag link tube only	1	624293*	
22					BALL JOINT ASSEMBLY, RH THREAD	2	599488*	
23					Rubber cover for ball joint	2	214649	
24					Spring ring cover to body	2	214685	
25					Spring ring } Fixing cover to ball	2	90214684	
26					Retainer }	2	214662	
27					Locknut, M20	2	624017	
28					Split pin	1	3127	
29					Plain washer } Fixing ball joints to	2	850421	
30					Castle nut } lower relay lever and	2	853771	
31					Split pin } swivel housing lever	2	852467	

* Asterisk indicates a new part which has not been used on any previous model.

BRAKES—Front Pipes, Master Cylinder and Servo

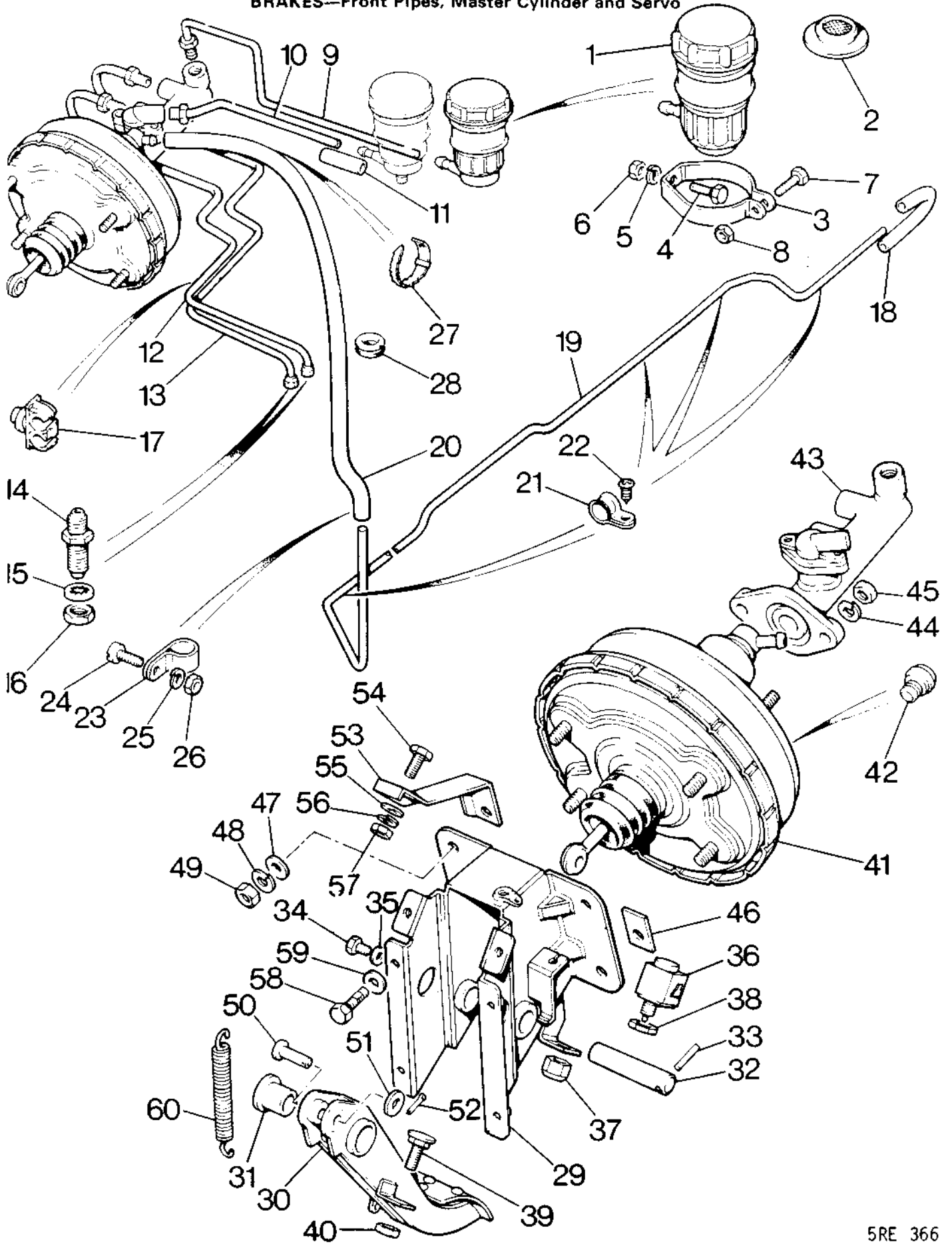


BRAKES—Front Pipes, Master Cylinder and Servo

Plate Ref.	1	2	3	4	DESCRIPTION	Qty	Part No.	REMARKS
1					BRAKE FLUID RESERVOIR	1	90577636	
2					Nylon filter for reservoir	1	592325	
3					Clip for reservoir	1	90217636	
4					Bolt, M6×14	1	SH106141	
5					Spring washer	1	WM106001	} Fixing clip to bracket
6					Nut, M6 ..	1	NH106041	
7					Bolt, M4×20	1	SH104201	} Clamping clip to reservoir
8					Nut, M4 ..	1	NH104041	
9					Pipe, reservoir to master cylinder rear	1	598997*	RH Stg
					Pipe, reservoir to master cylinder rear	1	598998*	LH Stg
10					Pipe, reservoir to master cylinder front	1	595417*	RH Stg
					Pipe, reservoir to master cylinder front	1	595418*	LH Stg
11					Connector hose, reservoir to pipe	2	565668	
12					Pipe, master cylinder, front to tunnel adaptor	1	595421*	RH Stg
					Pipe, master cylinder front to tunnel adaptor	1	NRC1977*	LH Stg
13					Pipe, master cylinder rear to tunnel adaptor	1	595423*	RH Stg
					Pipe, master cylinder rear to tunnel adaptor	1	NRC1976*	LH Stg
14					Adaptor at tunnel	2	565638	
15					Shakeproof washer	2	WF600061	} Securing adaptor
16					Nut, 3/8" UNF	2	NT606045	
17					Pipe clip (double), brake pipes to clutch pedal bracket	1	79127	} RH Stg vehicles
18					Vacuum hose, engine take-off	1	595412*	
19					Vacuum pipe	1	595413*	
20					Vacuum hose	1	577844	
21					Clip for vacuum pipe	4	50639	
22					Drive screw, 3/8" No. 8, clip to chassis frame	4	72626	
					Pipe clip	1	90513220	
					Screw, M3×10 slotted pan head	1	SP103101	
					Spring washer	1	WM103001	
					Nut M3	1	NH103041	
					Vacuum hose, servo	1	578086	
					Vacuum pipe	1	598902*	
					Vacuum hose, pipe to brake servo	1	598508*	
23					Pipe clip	2	90513220	
24					Screw, M3×10, slotted pan head	2	SP103101	
25					Spring washer	2	WM103001	
26					Nut, M3	2	NH103041	
					Clip for pipes	2	592007	
					Set screw, M4×14	2	890521	
					Plain washer	2	WA104001	
					Spring washer	2	WM104001	
					Nut, M4 ..	2	NH104041	
					Fixing brake and clutch pipes to front panel			
27					Cleat for vacuum pipe to clutch pipe	1	240430	
28					Grommet for vacuum hose	1	236390	

* Asterisk indicates a new part which has not been used on any previous model.

BRAKES—Front Pipes, Master Cylinder and Servo

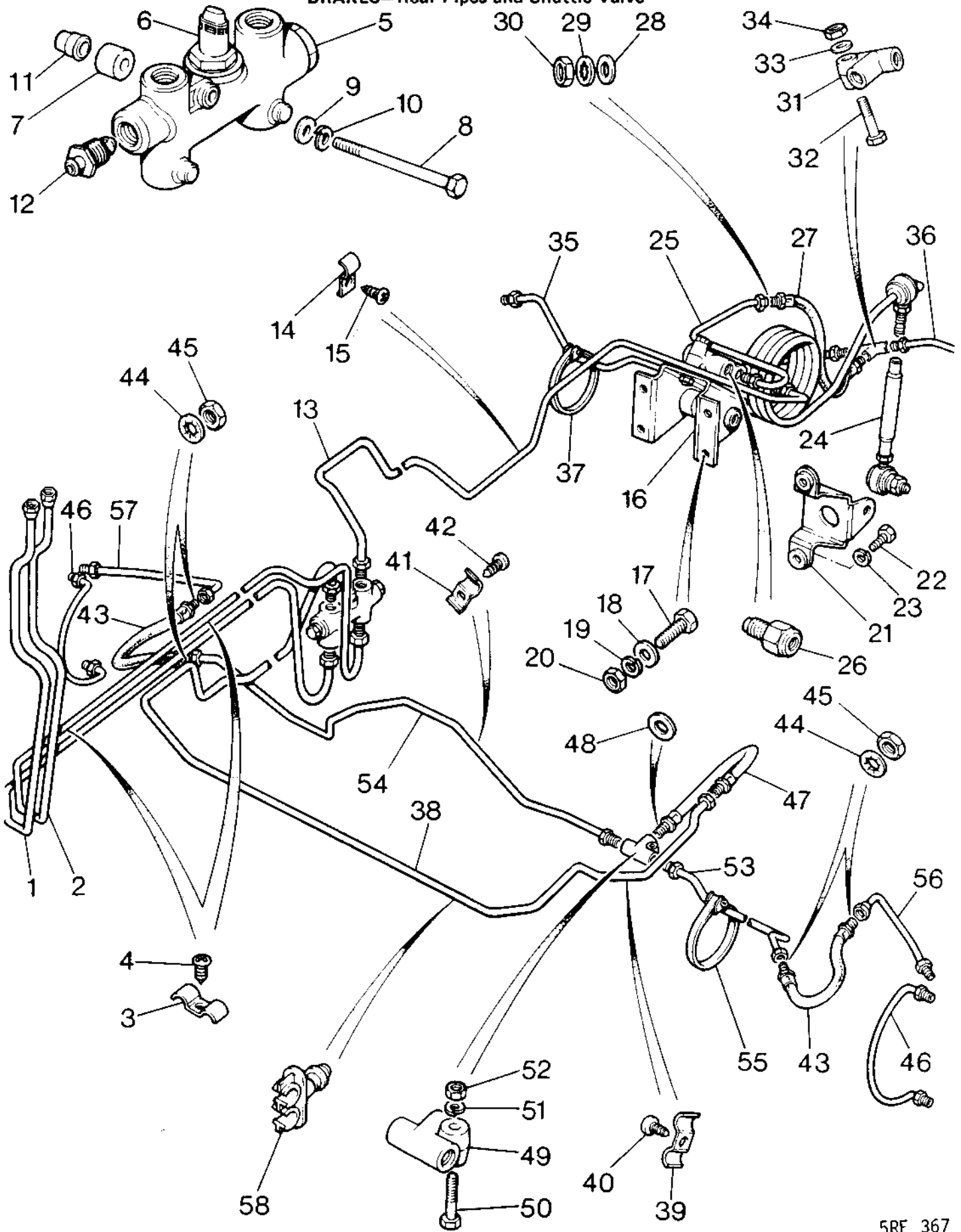


BRAKES—Front Pipes, Master Cylinder and Servo

Plate Ref.	1	2	3	4	DESCRIPTION	Qty	Part No.	REMARKS
					BRAKE PEDAL AND BRACKET COMPLETE..	1	599002*	
29					Mounting bracket for brake pedal	1	599003*	
30					BRAKE PEDAL ASSEMBLY	1	599007*	
31					Bush for brake pedal	2	272714	
32					Shaft for pedal	1	272712	
33					Pin locating pedal shaft	1	50447	
34					Oil plug for pedal shaft	1	255202	
35					Joint washer for oil plug	1	3052	
36					Stop lamp switch	1	589063	
37					End stop for switch	1	598711*	
38					Locknut ($\frac{1}{2}$ " UNF) for switch	1	90569116	
39					Pedal stop	1	592917*	
40					Locknut (8 mm) for pedal stop	1	853195*	
41					Servo unit	1	AAU1277	
42					Plug for servo	1	90577611	
					Overhaul kit for servo unit	1	606406	
43					Brake master cylinder	1	AAU1278*	
					Overhaul kit for brake master cylinder	1	607726	
44					Spring washer } Fixing servo to	2	606421	
45					Nut ($\frac{3}{8}$ " UNF) } master cylinder	2	601930	
46					Packing piece }	4	595470*	
47					Plain washer } Fixing servo unit to brake	2	WB110061	
48					Spring washer } pedal mounting bracket	4	WM600061	
49					Nut ($\frac{3}{8}$ " UNF) }	4	254812	
50					Pin	1	90564812	
51					Plain washer } Fixing push-rod to pedal	1	RTC611	
52					Split pin	1	2393	
53					Support bracket for servo unit, RH	1	594872*	
					Support bracket for servo unit, LH	1	594873*	
54					Screw (M6×16) }	2	SH106161	
55					Plain washer } Fixing support bracket	2	WB106041	
56					Spring washer } to dash rail	2	810005	
57					Nut (M6)	2	NH106041	
58					Self-locking bolt (M6×16) } Brake pedal and	6	624190	
59					Plain washer } bracket to body	6	851041	
60					Return spring	1	569701	

* Asterisk indicates a new part which has not been used on any previous model.

BRAKES—Rear Pipes and Shuttle Valve

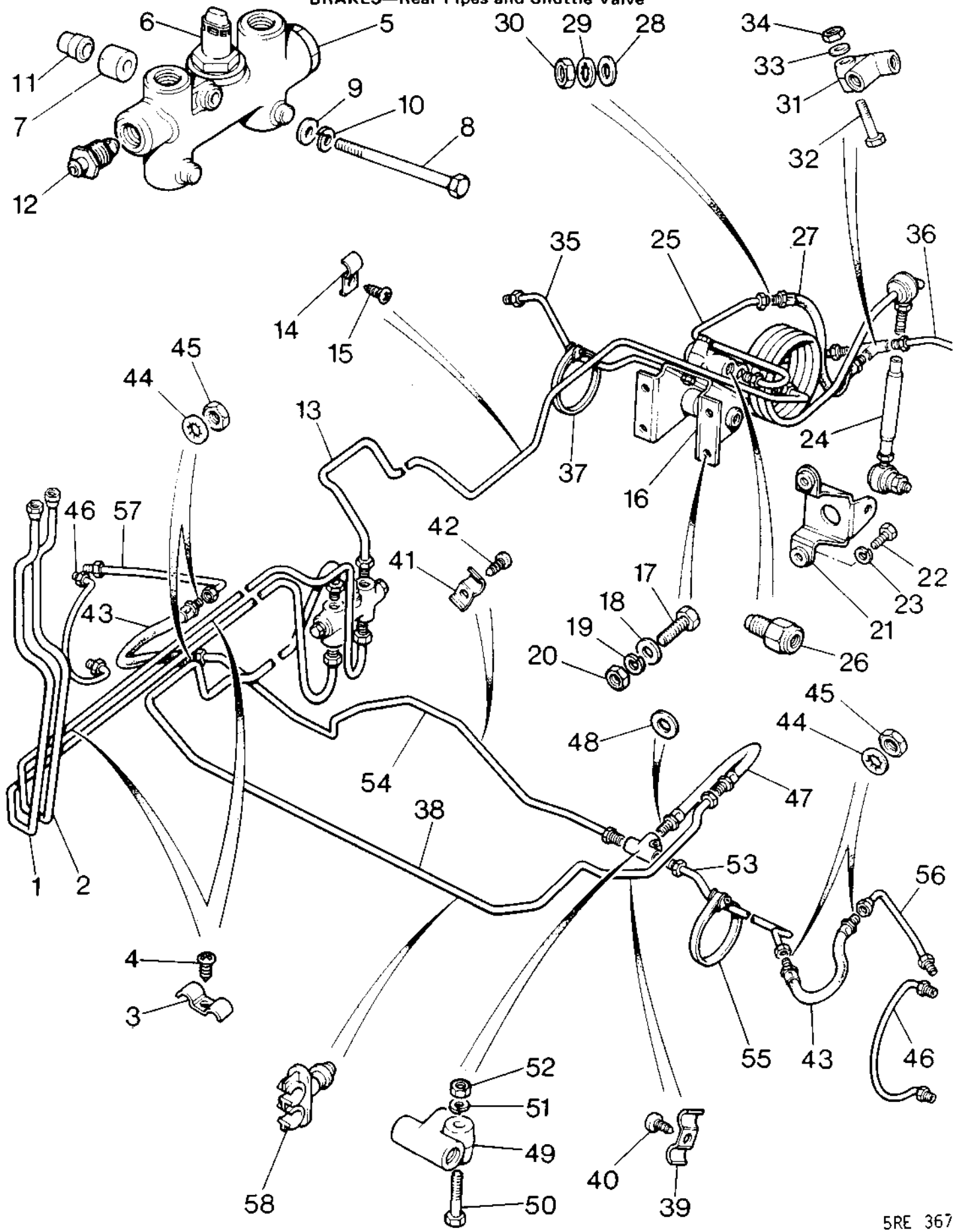


BRAKES—Rear Pipes and Shuttle Valve

Plate								
Ref.	1	2	3	4	DESCRIPTION	Qty	Part No.	REMARKS
1					Pipe, tunnel adaptor to shuttle valve front	1	595427*	
2					Pipe, tunnel adaptor to shuttle valve rear	1	595429*	
3					Pipe clip (double)	2	233274	
4					Drive screw (No. 8× $\frac{3}{8}$ "), clip to chassis frame	2	72626	
5					SHUTTLE VALVE	1	599443	
6					Switch for shuttle valve	1	RTC645	
					Service kit for shuttle valve	1	RTC644	
7					Distance piece	1	624060	
8					Bolt, M6×60	1	BH106121	
9					Plain washer	1	851047*	
10					Spring washer	1	WM106001	
11					Captive nut	1	NN106011	
12					Bleed nipple, blanking shuttle valve end	1	27H3815	
13					Pipe, shuttle valve to apportioning valve	1	NRC31*	Not required with trailer power drive
14					Pipe clip	6	41379	
15					Drive screw (No. 8× $\frac{3}{8}$ "), clip to chassis frame	6	72626	
16					Apportioning valve	1	599201*	
17					Screw (M8×20)	4	SH108201	
18					Plain washer	4	WA108051	
19					Spring washer	4	WM108001	
20					Nut (M8)	4	NH108041	
21					Bracket for link and ferrule	1	599169*	
22					Screw (M8×20)	2	SH108161	
23					Spring washer	2	WM108001	
24					LINK AND FERRULE COMPLETE	1	598920*	
					Bolt ($\frac{3}{8}$ " UNF×1 $\frac{3}{4}$ ")	1	256443	
					Plain washer	1	4878	
					Spring washer	1	WM600061	
					Nut ($\frac{3}{8}$ " UNF)	1	254822	
25					Pipe, apportioning valve to jump hose bracket	1	598928*	
26					Adaptor	2	NRC1956*	
27					Jump hose, rear	1	NRC2131*	
28					Gasket for jump hose	1	233220	
29					Shakeproof washer	1	WF600061	
30					Nut ($\frac{3}{8}$ " UNF)	1	NT606045	
31					Tee piece	1	537761	
32					Bolt (M6×30)	1	BH106061	
33					Plain washer	1	WC106041	
34					Nut (M6)	1	NH106041	
35					Pipe, tee piece to wheel cylinder, RH rear	1	595438*	
36					Pipe, tee piece to wheel cylinder, LH rear	1	595439*	
37					Clip, pipe to rear axle	2	572541	
38					Pipe, shuttle valve to jump hose bracket	1	NRC1110	
39					Clip for pipe	1	509414	
40					Drive screw (No. 8× $\frac{3}{8}$ "), clip to chassis frame	1	72626	
41					Pipe clip	5	41379	
42					Drive screw (No. 8× $\frac{3}{8}$ "), clip to chassis frame	5	72626	
43					Jump hose, bracket to axle brake pipes	2	TKC3029*	
44					Shakeproof washer	5	WF600061	
45					Nut ($\frac{3}{8}$ " UNF)	5	NT606045	
46					Bridge pipe	2	595471*	
47					Jump hose, bracket to 3-way piece on axle	1	NRC2133*	
48					Gasket, jump hose to 3-way piece	1	233220	

* Asterisk indicates a new part which has not been used on any previous model.

BRAKES—Rear Pipes and Shuttle Valve



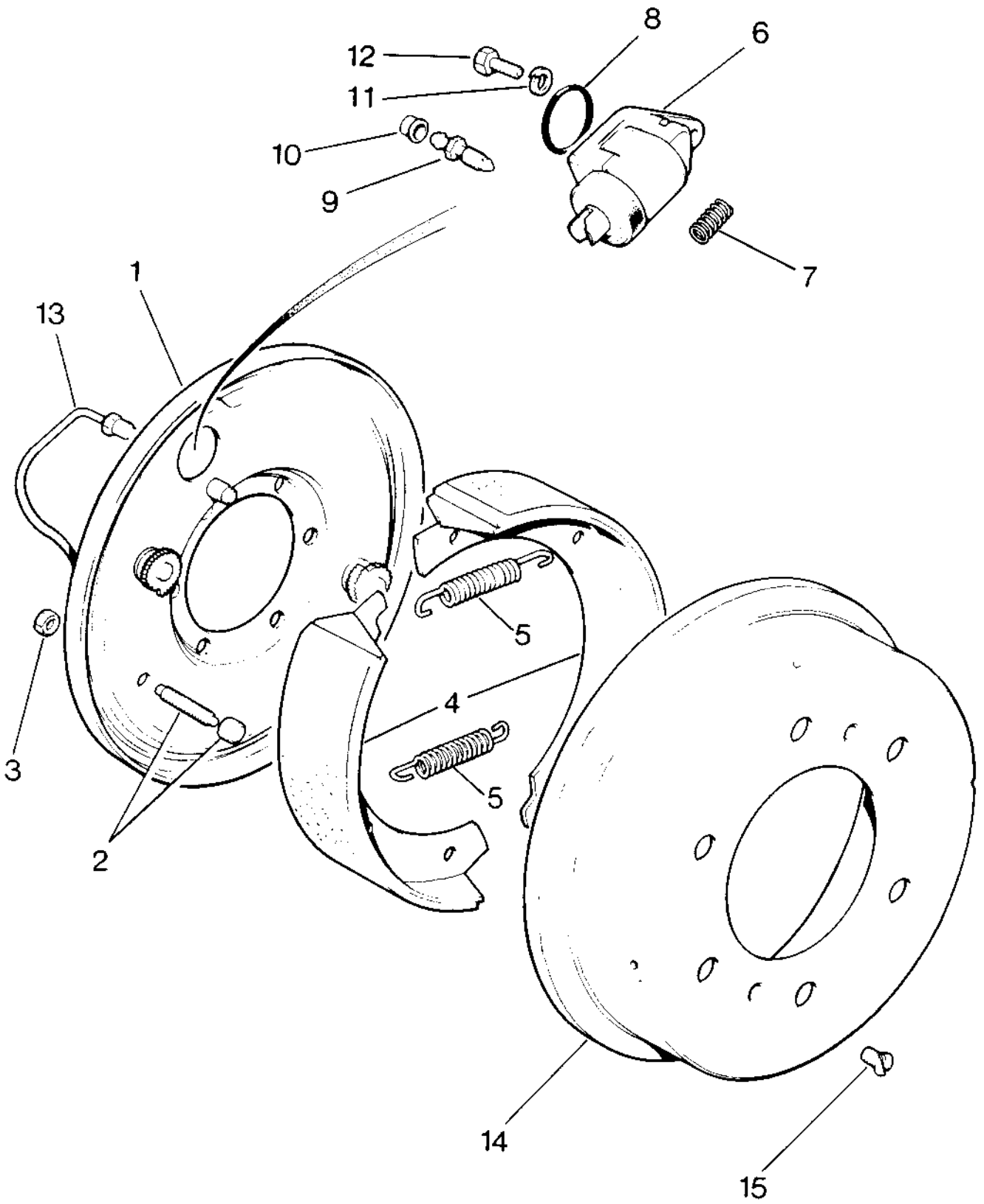
5RE 367

BRAKES—Rear Pipes and Shuttle Valve

Plate								
Ref.	1	2	3	4	DESCRIPTION	Qty	Part No.	REMARKS
49					3-way piece	1	537761	
50					Bolt (M6×30)	1	BH106061	
51					Spring washer	1	WM106001	
52					Nut (M6)	1	NH106041	
53					Brake pipe, 3-way piece to LH side jump hose bracket	1	NRC1189	
54					Brake pipe, 3-way piece to RH side jump hose bracket	1	NRC1190	
55					Clip, brake pipe to axle	1	572541	
56					Brake pipe, jump hose to wheel cylinder, LH	1	595444*	
57					Brake pipe, jump hose to wheel cylinder, RH	1	595443*	
58					Pipe clip (double), brake pipes to clutch pipes on No. 2 cross-member and to LH side-member	3	79125	

* Asterisk indicates a new part which has not been used on any previous model.

BRAKES—Front

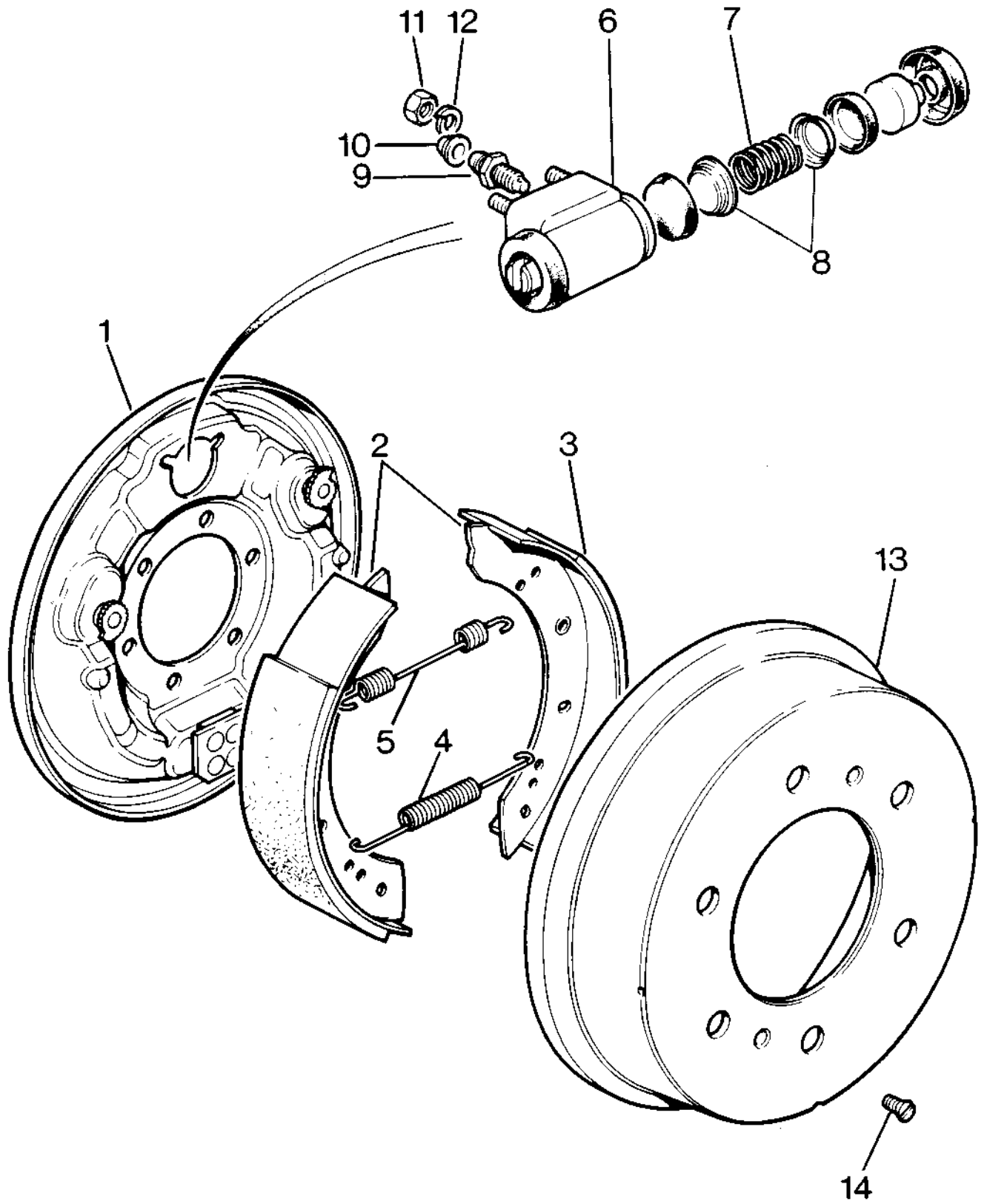


BRAKES—Front

Plate								
Ref.	1	2	3	4	DESCRIPTION	Qty	Part No.	REMARKS
1					Brake anchor plate, LH front	1	607366*	
					Brake anchor plate, RH front	1	607365*	
					Bolt (M10×28) } Fixing anchor plate and stub	12	593867*	
					Spring washer } axle to swivel pin housing ..	12	810003	
2					Steady post for brake shoe	4	607808	
3					Special nut fixing steady post	4	254881	
4					BRAKE SHOE ASSEMBLY, BOXED PAIR, LH FRONT	1	AAU3911	
					BRAKE SHOE ASSEMBLY, BOXED PAIR, RH FRONT	1	AAU3912	
5					Pull-off spring for brake shoe	4	234889	
6					WHEEL CYLINDER, LH FRONT	2	GWC301	
					WHEEL CYLINDER, RH FRONT	2	GWC302	
7					Spring	4	600212	
8					Sealing ring for cylinder	4	505790	
9					Bleed screw	2	556508	
10					Dust cap for bleed screw	2	234957	
11					Spring washer } Fixing wheel cylinder	8	600208	
12					Special set bolt }	8	600207	
13					Bridge pipe for wheel cylinder	2	595471*	
14					Brake drum	2	593874*	
15					Set screw, fixing brake drum	4	885751	
					Brake wheel cylinder overhaul kit, front ..	1	600210	

* Asterisk indicates a new part which has not been used on any previous model.

BRAKES—Rear



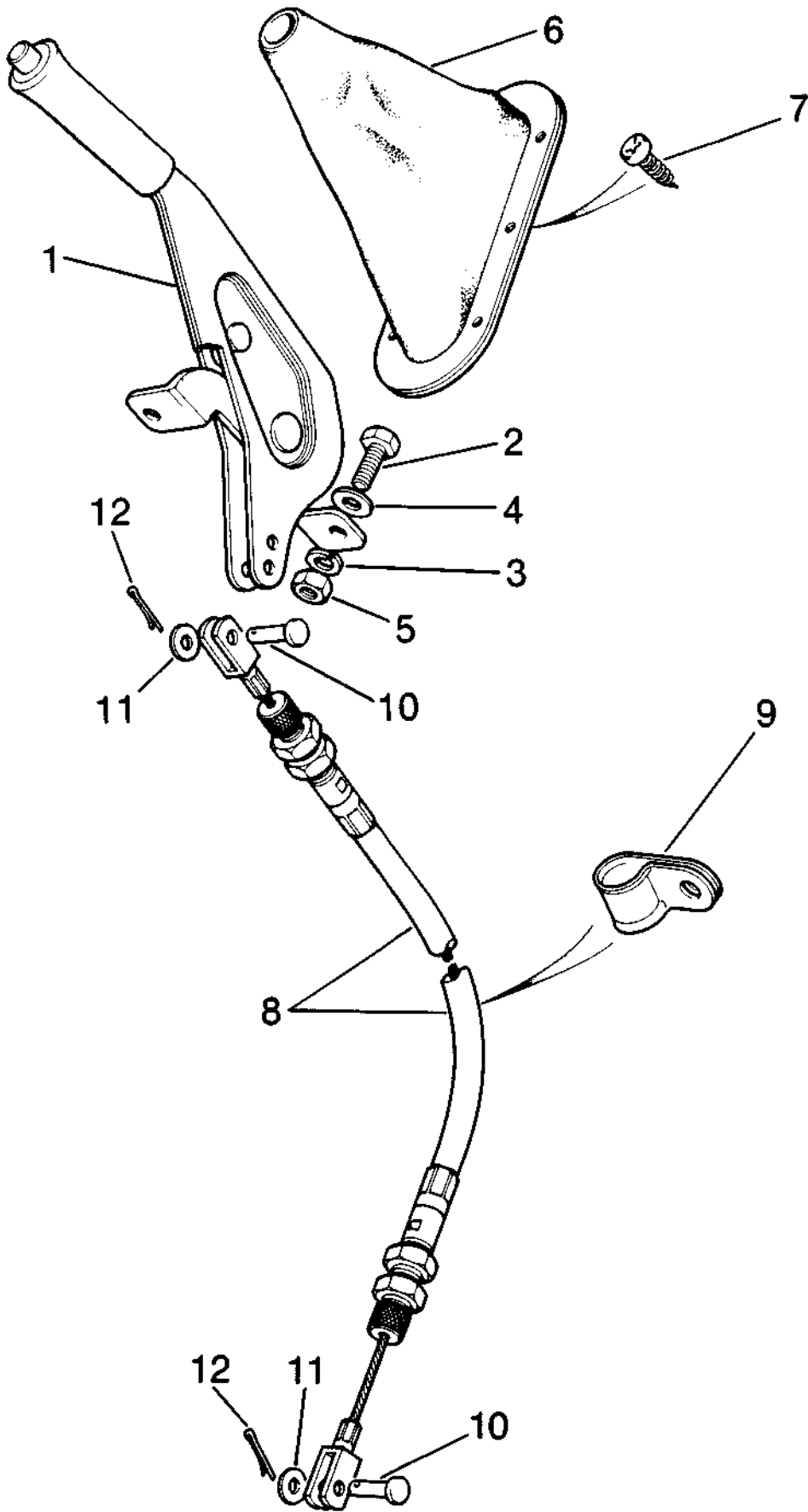
5RE228

BRAKES—Rear

Plate								
Ref.	1	2	3	4	DESCRIPTION	Qty	Part No.	REMARKS
1					Brake anchor plate, LH rear	1	531888	
					Brake anchor plate, RH rear	1	531889	
2					BRAKE SHOE ASSEMBLY, REAR, BOXED PAIRS	2	GBS550	Bonded type linings
3					Lining, complete with rivets, for brake shoe	4	510575	Riveted type linings for replacement of bonded originals
4					Spring, abutment end	2	531893	
5					Spring, wheel cylinder end	2	548169	
6					WHEEL CYLINDER ASSEMBLY, RH	1	GWC305	
					WHEEL CYLINDER ASSEMBLY, LH	1	GWC306	
7					Spring for piston	2	212919	
8					Washer for spring	4	242117	
9					Bleed screw	2	556508	
10					Dust cap for bleed screw	2	234957	
11					Special nut } Fixing wheel cylinder	4	233879	
12					Spring washer }	4	600208	
13					Brake drum	2	593897*	
14					Set screw, fixing brake drum	4	885751	
					Brake wheel cylinder overhaul kit, rear	1	275744	

* Asterisk indicates a new part which has not been used on any previous model.

HAND BRAKE—Lever



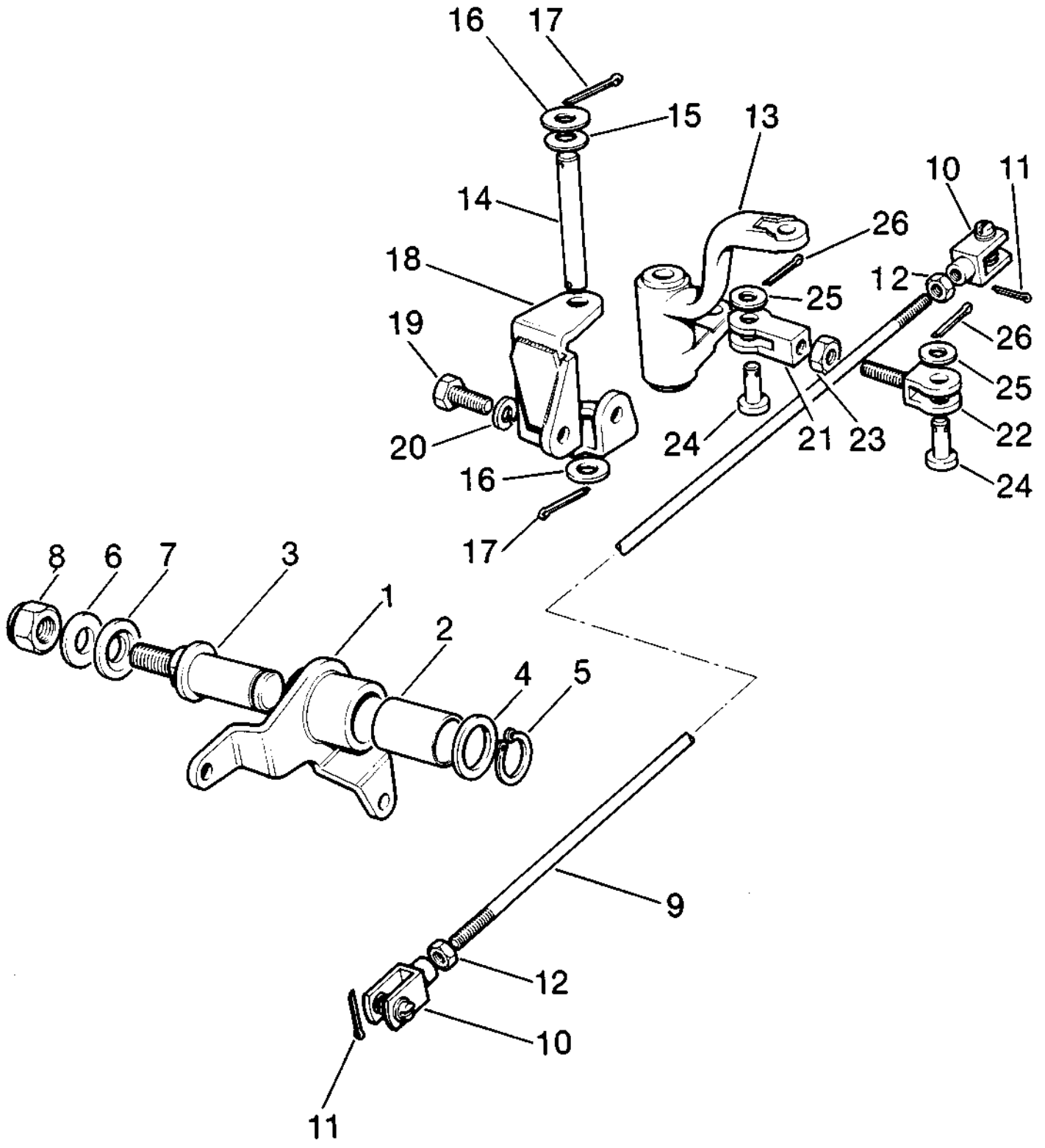
5RE182

HAND BRAKE—Lever

Plate								
Ref.	1	2	3	4	DESCRIPTION	Qty	Part No.	REMARKS
1					Hand brake lever complete	1	578145	
2					Bolt (M8×25)	2	SH108251	
3					Spring washer	2	810004	} Fixing hand brake lever to mounting bracket
4					Plain washer	2	850827	
5					Self-locking nut	2	853047	
6					Hand brake gaiter assembly	1	399501*	
7					Drive screw retaining gaiter assembly	6	77704	
8					Bowden cable, hand brake to relay, RH Stg	1	595461*	
					Bowden cable, hand brake to relay, LH Stg	1	595462*	
9					Clip for cable, cable to radiator, LH Stg	1	3621	
10					Clevis pin	1	529718	} Hand brake cable to hand brake lever
11					Plain washer	1	2203	
12					Split pin	1	2390	

* Asterisk indicates a new part which has not been used on any previous model.

HAND BRAKE—Linkage

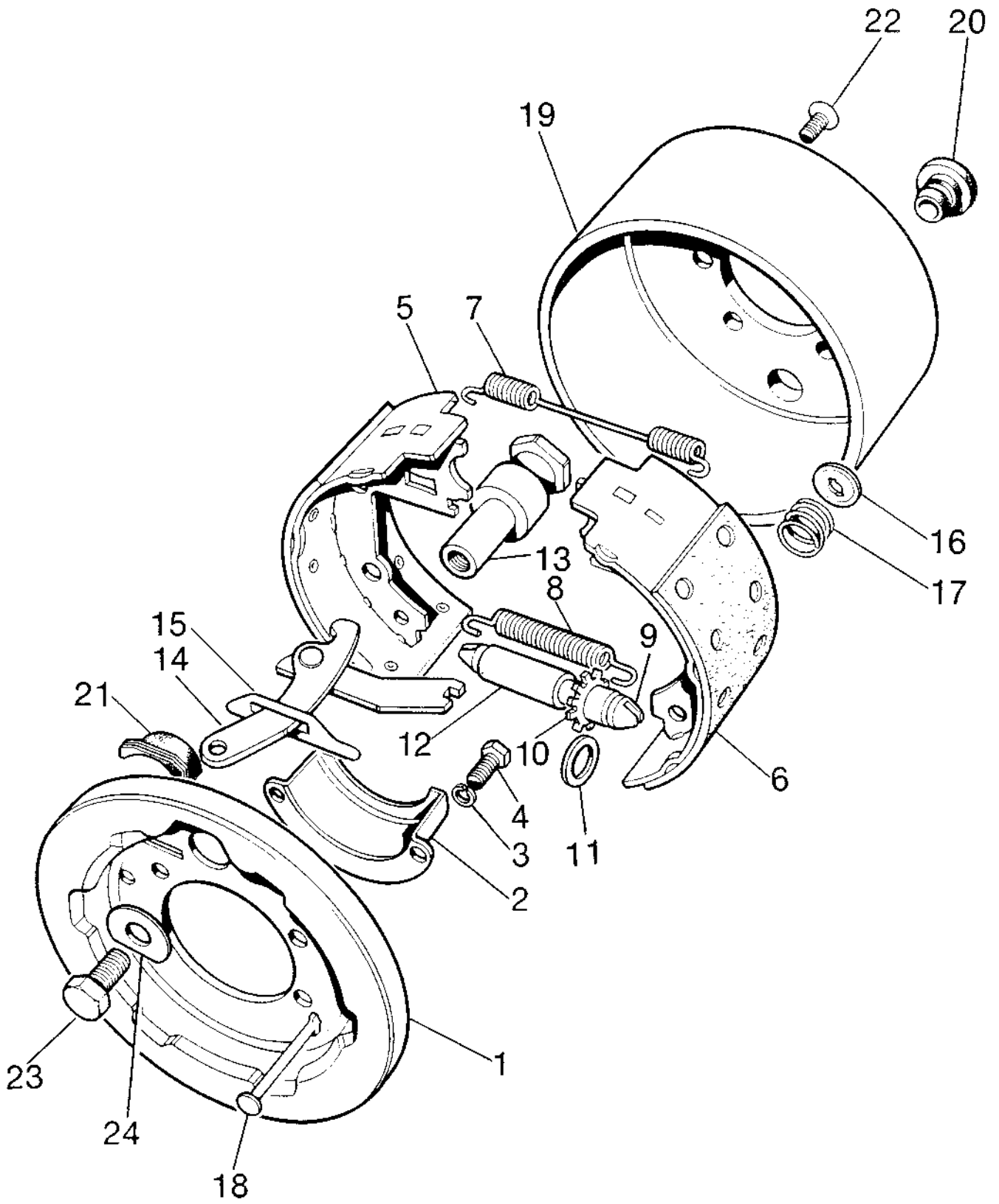


HAND BRAKE—Linkage

Plate								
Ref.	1	2	3	4	DESCRIPTION	Qty	Part No.	REMARKS
1					Relay lever	1	595366*	
2					Bush for relay lever	1	218386	
3					Shaft for relay lever	1	577137	
4					Plain washer } Fixing relay lever to shaft	1	3299	
5					Circlip }	1	9203	
6					Plain washer } Fixing relay lever to	1	3021	
7					Plain washer } bracket	1	577354	
8					Self-locking nut ($\frac{7}{16}$ " UNF) }	1	252163	
9					Brake rod	1	595373*	
10					Clevis and pin (c/w spring)	2	595372*	
11					Split pin for clevis pin	2	PS103201	
12					Self-locking nut for clevis fork end	2	NH106041	
13					Relay lever and bearing assembly	1	598565*	
14					Fulcrum pin for relay	1	90575676	
15					Belleville washer } Fulcrum pin and	1	279129	
16					Plain washer } relay to bracket	2	3036	
17					Split pin	2	RTC601	
18					Relay bracket, handbrake	1	90575682	
19					Bolt (M8×18) } Relay bracket to gearbox	2	90575750	
20					Spring washer }	2	WM600051	
21					Adjusting link, female	1	90577521	
22					Adjusting link, male	1	90577522	
23					Locknut for adjusting link	1	254881	
24					Clevis pin } Fixing adjusting link	2	90575673	
25					Plain washer }	2	RTC613	
26					Split pin }	2	RTC601	

* Asterisk indicates a new part which has not been used on any previous model.

HAND BRAKE—Transmission Brake

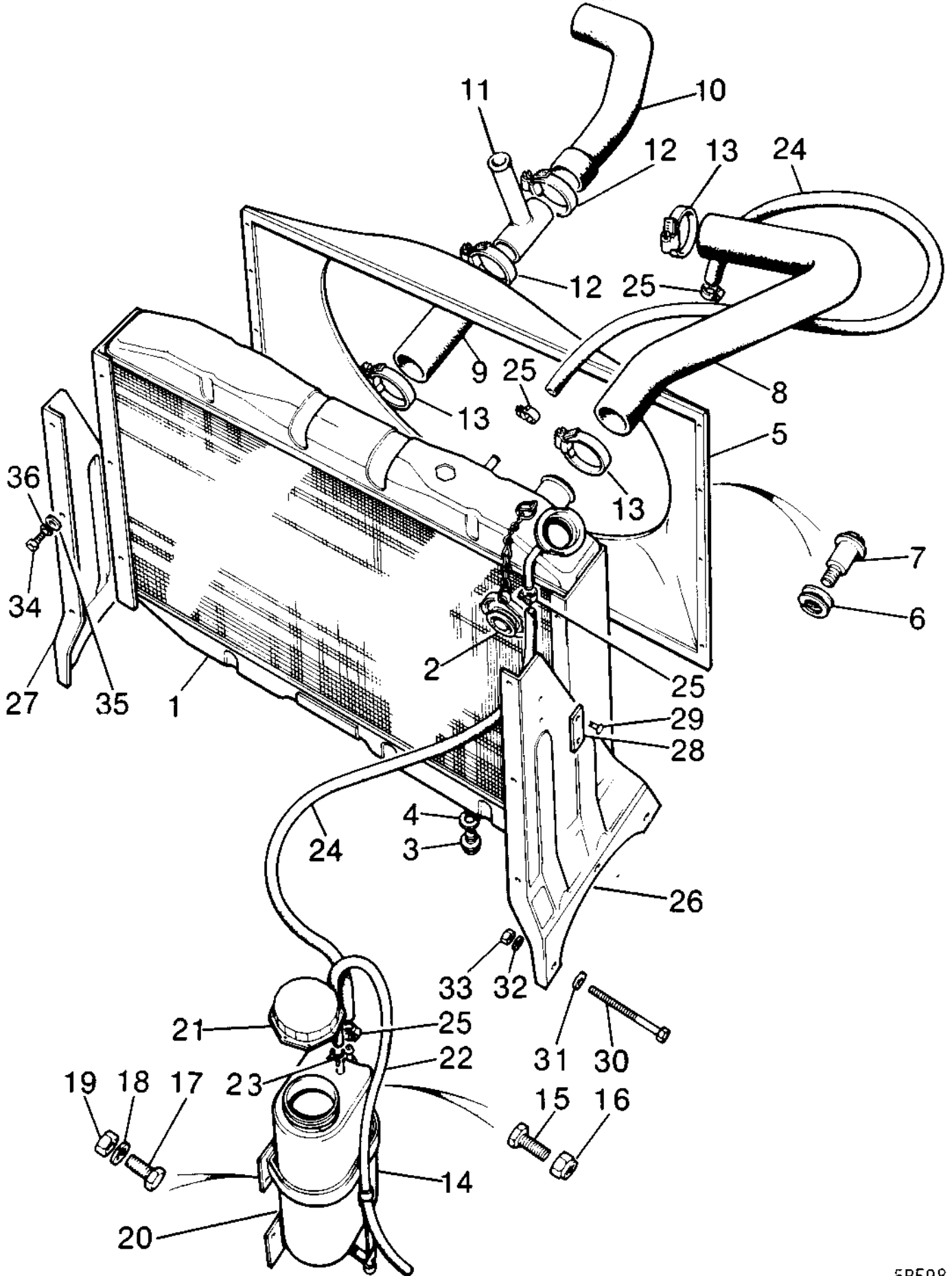


HAND BRAKE—Transmission Brake

Plate								
Ref.	1	2	3	4	DESCRIPTION	Qty	Part No.	REMARKS
1					Anchor plate, transmission brake	1	606737	
2					Oil catcher for transmission brake	1	571971	
3					Spring washer	4	810004	Oil catcher and transmission brake to speedo housing
4				Bolt (M8×20)	4			
5					BRAKE SHOE ASSEMBLY, BOXED PAIR	1	606738	
6					Lining complete, for shoe, boxed pair	1	606751	
7					Pull-off spring, expander end	1	606749	
8					Return spring, adjuster end	1	606750	
9					Adjuster cap	1	606742	
10					Adjuster wheel	1	606743	
11					Washer for adjuster wheel	1	606745	
12					Adjuster nut	1	606744	
13					Pivot post	1	606741	
14					Lever for handbrake linkage	1	606739	
15					Sealing shim for lever aperture	1	606740	
16					Retainer for spring	2	606748	
17					Steady spring for brake shoe	2	606747	
18					Pin for spring retainer	2	606746	
19					Brake drum	1	90576624	
20					Plug for brake drum	2	593890	
21					Seal, backplate/speedo housing	1	594026	
22					Screw (8 mm×20), fixing brake drum	2	886021	
23					Bolt (M10×20)	1	889645	Brake pivot to speedo housing
24				'D' washer	1			

* Asterisk indicates a new part which has not been used on any previous model.

COOLING SYSTEM—Radiator

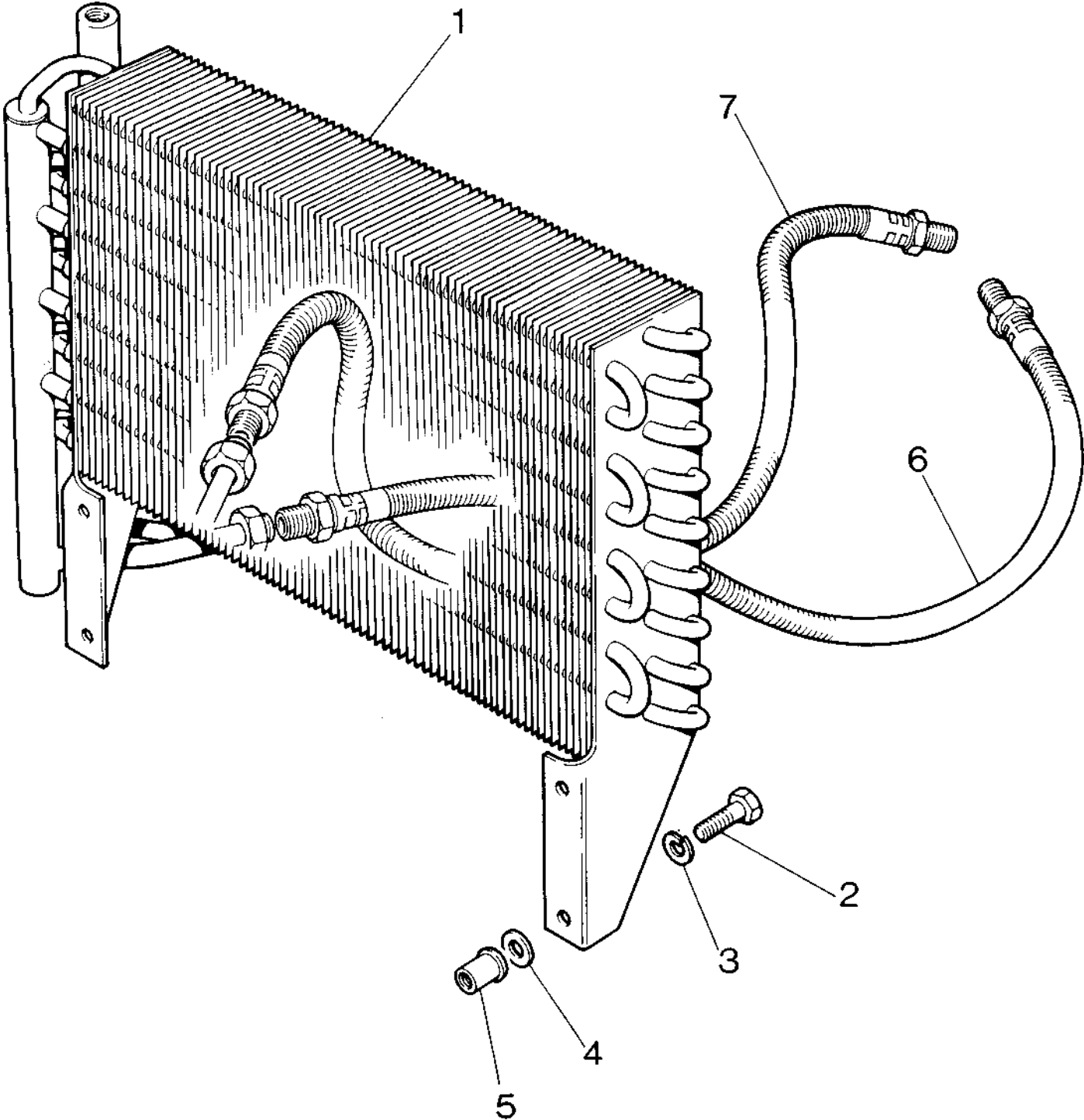


COOLING SYSTEM—Radiator

Plate Ref.	1	2	3	4	DESCRIPTION	Qty	Part No.	REMARKS
1					RADIATOR BLOCK COMPLETE	1	NRC1972*	
2					Cap and chain	1	NRC1970*	
3					Drain plug	1	569047	
4					Joint washer for plug	1	213959	
5					Fan cowl	1	595279*	
6					Spring washer } Cowl to	8	564741	
7					Self tapping screw } radiator block	8	562979	
8					Top water hose	1	595190	
9					Bottom water hose, straight	1	598832*	
10					Bottom water hose, angled	1	598834*	
11					'T' piece	1	90624418	
12					Hose clip (hose to 'T' piece)	2	GHC913	
13					Hose clip for hoses	4	GHC1217	
14					Carrier, radiator overflow bottle	1	564717	
15					Bolt (M6×14) } Carrier	1	890071	
16					Self-locking nut (M6) } clamp	1	810505*	
17					Bolt (M6×14) } Carrier to No. 1	2	890071	
18					Spring washer } cross-member	2	WL106001	
19					Nut (M6) }	2	NH106041	
20					OVERFLOW BOTTLE	1	564718	
21					Cap, overflow bottle	1	564719	
22					Hose, overflow bottle outlet	1	564724	
23					Clip for hose	1	90577082	
24					Hose, radiator to bottle and manifold	2	90575977	
25					Clip for hose	4	603887	
26					RADIATOR SUPPORT BRACKET ASSEMBLY, LH	1	595258*	
27					RADIATOR SUPPORT BRACKET ASSEMBLY, RH	1	595259*	
28					Strip	2	332674	
29					Rivet	4	78321	
30					Bolt (M8×90) } Radiator support	6	897121*	
31					Plain washer } brackets to	12	NH108041	
32					Spring washer } chassis frame	6	810024	
33					Nut (M8) }	6	NH108041	
34					Bolt (M6×14) } Radiator block to	6	SH106141	
35					Plain washer } brackets	6	WB106041	
36					Spring washer }	6	WL106001	

* Asterisk indicates a new part which has not been used on any previous model.

COOLING SYSTEM—Oil Cooler

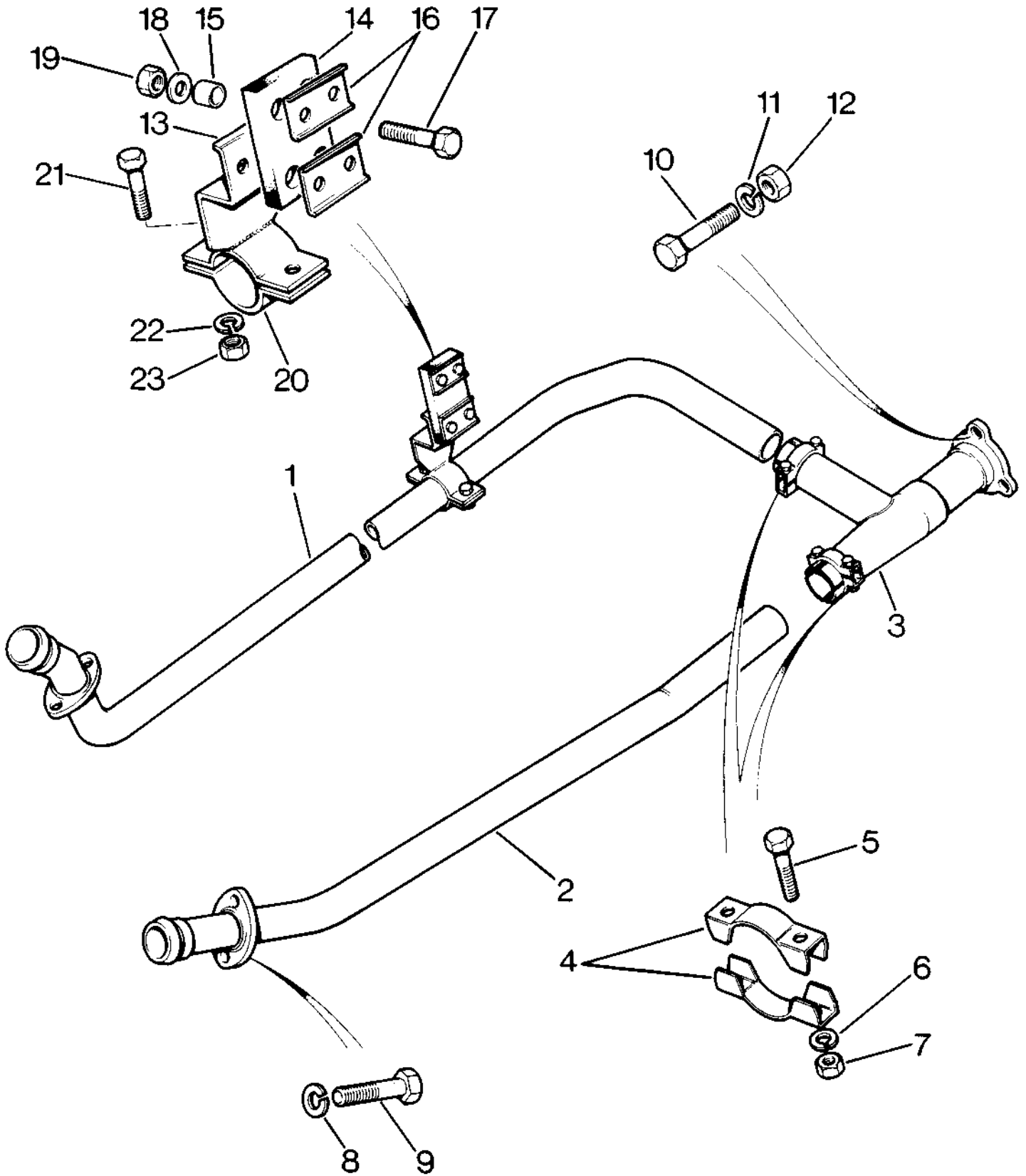


COOLING SYSTEM—Oil Cooler

Plate									
Ref.	1	2	3	4	DESCRIPTION	Qty	Part No.	REMARKS	
1					Oil cooler complete	1	624361*		
2					Set screw (M6×25)	4	SH106251		
3					Spring washer	4	WM106001		
4					Plain washer	4	WA106041		
5					Nutsert (M6)	4	NN106011		
6					Pipe, oil cooler to engine (short)	1	NRC4*	} LH Stg	
7					Pipe, oil cooler to engine (long)	1	NRC5*		
					Pipe, oil cooler to engine	2	NRC6*		RH Stg

* Asterisk indicates a new part which has not been used on any previous model.

EXHAUST SYSTEM—Down Pipe

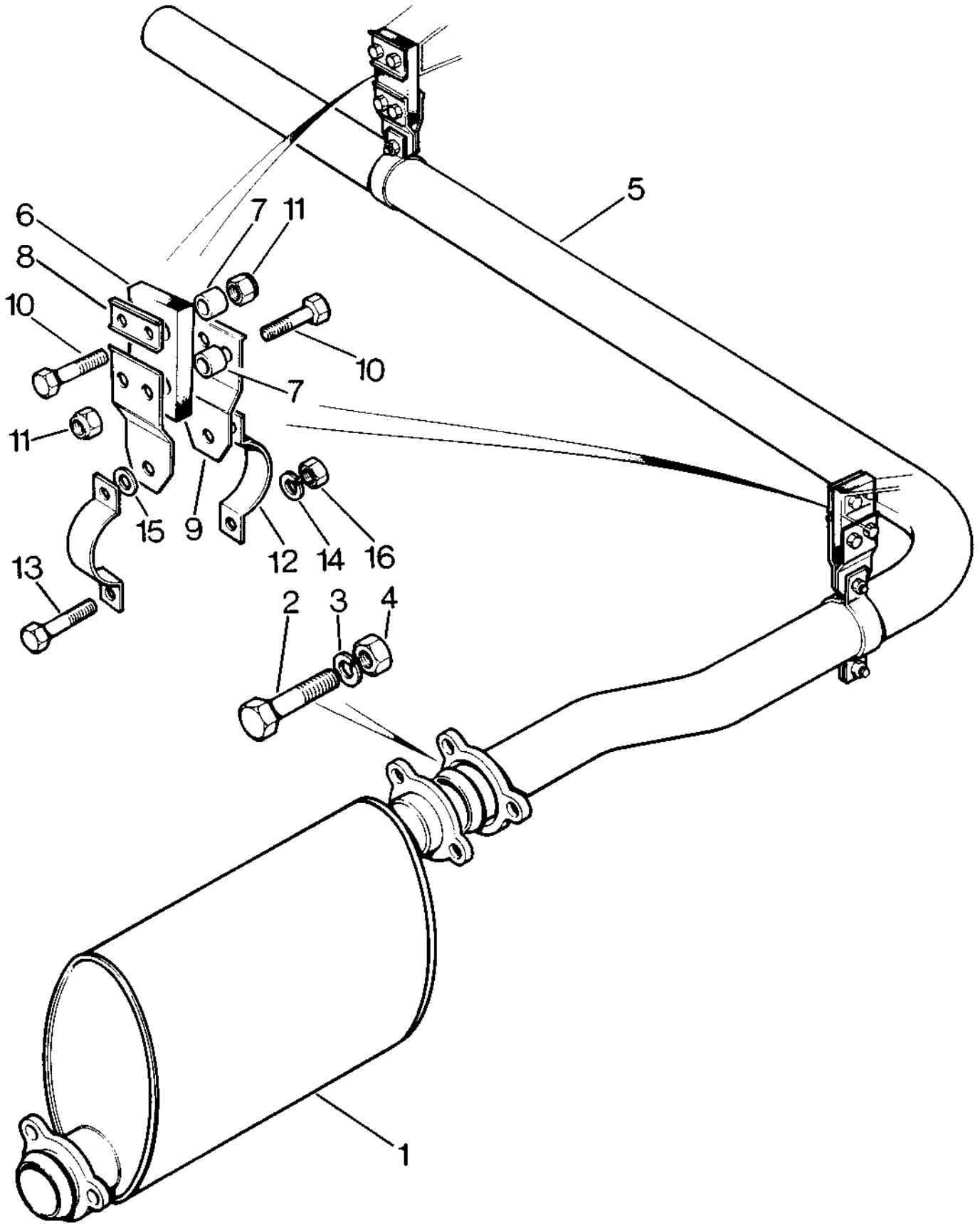


EXHAUST SYSTEM—Down Pipe

Plate								
Ref.	1	2	3	4	DESCRIPTION	Qty	Part No.	REMARKS
1					Exhaust down-pipe, RH	1	592789*	
2					Exhaust down-pipe, LH	1	592790*	
3					Junction pipe	1	598801	
4					Clamp	4	90575511	
5					Bolt (M8×45) } Connecting	4	BH108101	
6					Spring washer } down pipes to	4	810024	
7					Nut (M8) } junction pipe	4	853047	
8					Spring washer } Fixing down-pipe	4	810003	
9					Bolt ($\frac{3}{8}$ " UNC×1 $\frac{1}{2}$ ") } to manifold	4	UCB13712R	
10					Bolt (M8×40) } Exhaust silencer	3	SH108041	
11					Spring washer } to down pipe	3	810024	
12					Nut (M8) }	3	853047	
13					Clamp bracket	1	598825*	
14					Flexible mounting	1	GEX7325	
15					Distance piece	4	244009	
16					Clamp plate	2	239715	
17					Bolt (M6×25) } Bracket and	4	SH106251	
18					Plain washer } mounting to	2	WC106041	
19					Self-locking nut (M6) } chassis frame	4	810505	
20					Saddle, clamp bracket	1	598630*	
21					Bolt (M8×25) } Saddle	2	SH108251	
22					Spring washer } to clamp	2	810004	
23					Nut (M8) } bracket	2	853047*	

* Asterisk indicates a new part which has not been used on any previous model.

EXHAUST SYSTEM—Silencer and Tail Pipe

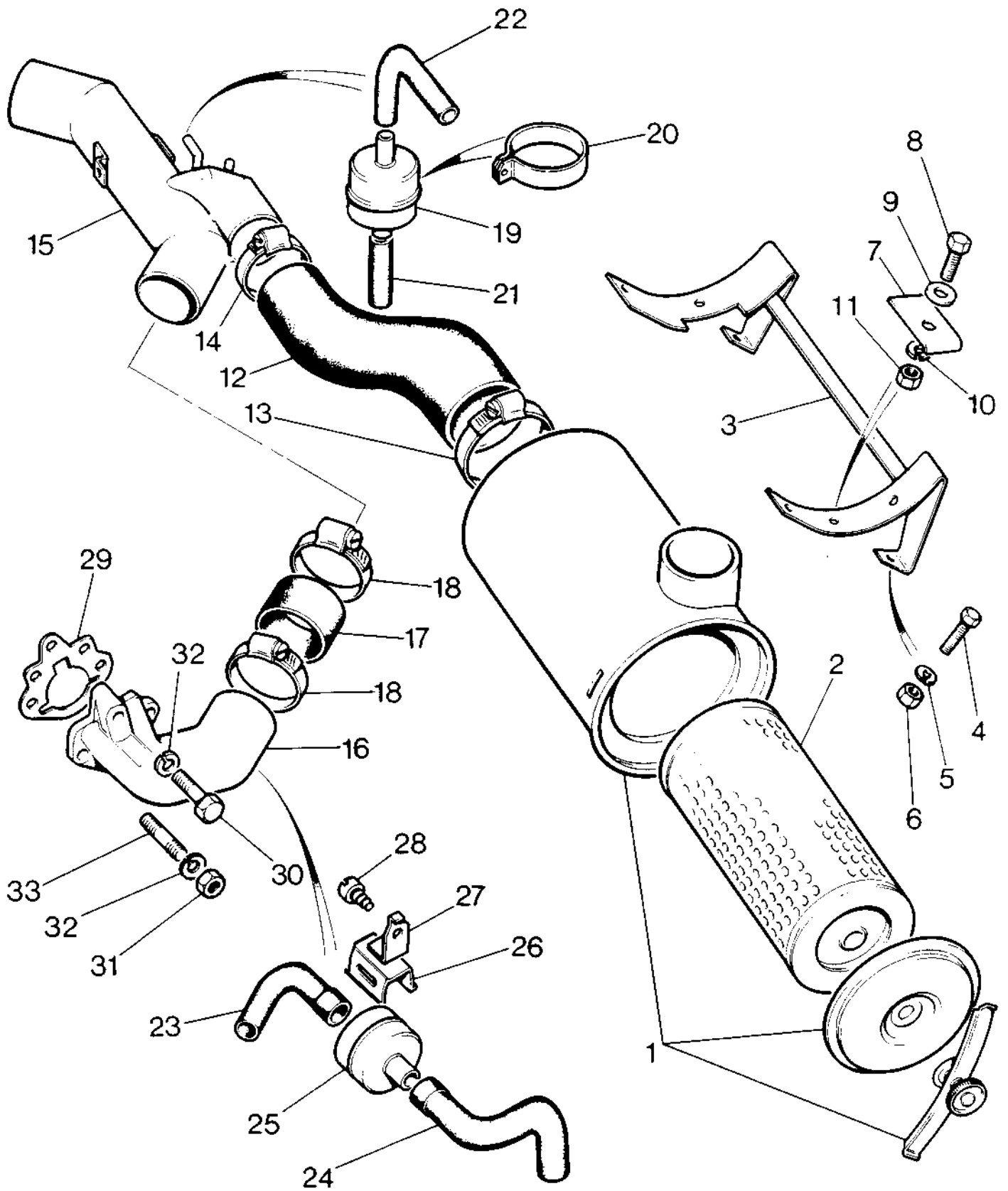


EXHAUST SYSTEM—Silencer and Tail Pipe

Plate Ref.	1	2	3	4	DESCRIPTION	Qty	Part No.	REMARKS
1					Exhaust silencer	1	NRC1169*	
2					Bolt (M8×40)	3	SH108041	
3					Spring washer	3	810024	} Fixing tail pipe to silencer
4					Nut (M8)	3	853047	
5					Exhaust tail pipe, RH steering	1	592794*	
					Exhaust tail pipe, LH steering	1	595284*	
6					Flexible mounting	2	GEX7325	
7					Distance piece	8	244009	
8					Clamp plate, upper	2	239715	} Fixing exhaust to chassis frame
9					Plate for flexible mounting	4	239710	
10					Bolt (M6×25)	8	SH106251	
11					Self-locking nut (M6)	8	810505	
12					Pipe clamp	4	562823	
13					Bolt (M8×25)	4	SH108251	
14					Spring washer	4	810004	} Fixing clamp to plate and exhaust pipe
15					Plain washer	4	WA108051	
16					Nut (M8)	4	853047	

* Asterisk indicates a new part which has not been used on any previous model.

BREATHER SYSTEM—Air Cleaner, Breather Filter and Flame Trap

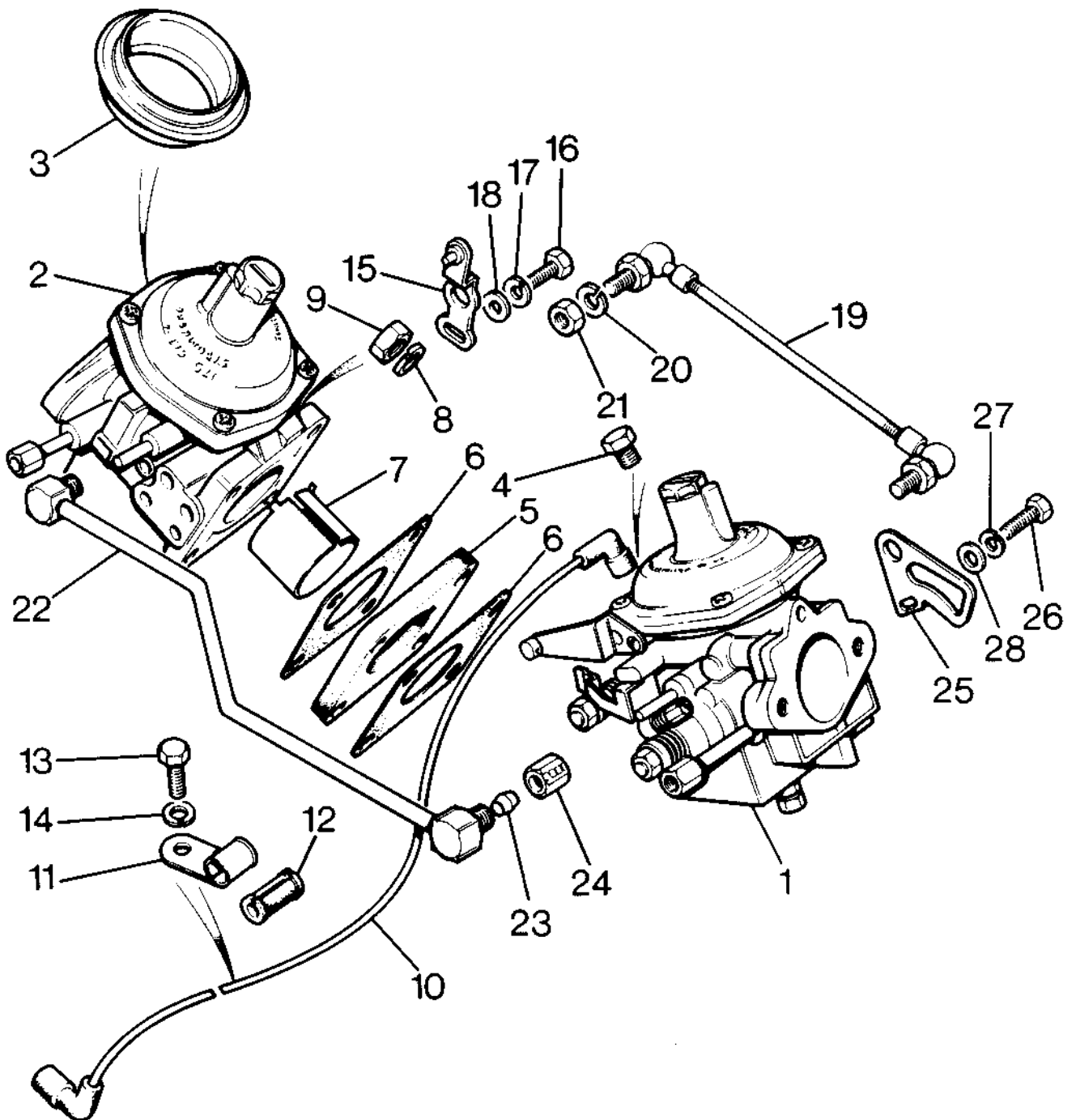


BREATHER SYSTEM—Air Cleaner, Breather Filter and Flame Trap

Plate	Ref.	1	2	3	4	DESCRIPTION	Qty	Part No.	REMARKS
	1					AIR CLEANER COMPLETE	1	592883*	
	2					Element for air cleaner	1	608104*	
	3					Cradle for air cleaner	1	398874*	
	4					Screw (M6×12)	4	890067*	
	5					Spring washer	4	810005	
	6					Nut (M6)	3	NH106041	
						Nut (M6)	1	811948	
	7					Clamp	3	398878*	
	8					Set screw (M6×20)	3	SH106201	
	9					Plain washer	3	WB106041	
	10					Spring washer	3	810005	
	11					Nut (M6)	3	NH106041	
	12					Hose, air cleaner to mixing chamber	1	592795*	
	13					Clip, hose to air cleaner	1	603901*	
	14					Clip, hose to mixing chamber	1	GHC2228	
	15					Air inlet duct	1	614789*	12 volt
						Air inlet duct	1	614790*	24 volt
	16					Air intake elbow, LH	1	90612904*	
						Air intake elbow, RH	1	612905*	
	17					Connector, air intake elbow to air mixing chamber	2	90612906*	
	18					Clip for connector	4	90517585	
	19					Breather filter	1	606168	
	20					Clip for breather filter	1	613805	24 volt
	21					Hose, breather filter to inlet duct	1	614237	
	22					Hose, connector engine to breather filter	1	611108	
	23					Hose, carburetter LH to flame trap	1	614161	
						Hose, carburetter RH to flame trap	1	90611112	
	24					Hose, LH, flame trap to top rocker cover	1	611114	
						Hose, RH, flame trap to top rocker cover	1	611113	
	25					Flame trap	2	603330	
	26					Clip for carburetter hose	2	603376	
	27					Bracket for clip, breather outlet, LH	1	612943	
						Bracket for clip, breather outlet, RH	1	611351	
	28					Drive screw, fixing bracket to air intake elbow	2	77919	
	29					Joint washer, elbow to carburetter	2	610327	
	30					Bolt ($\frac{5}{16}$ " UNC×1 $\frac{3}{8}$ ")	2	254021	
	31					Nut ($\frac{5}{16}$ " UNF)	4	254831	
	32					Spring washer	6	WM600051	
	33					Stud ($\frac{5}{16}$ " UNF/UNC)	4	252512	

* Asterisk indicates a new part which has not been used on any previous model.

FUEL SYSTEM—Carburettors and Linkage

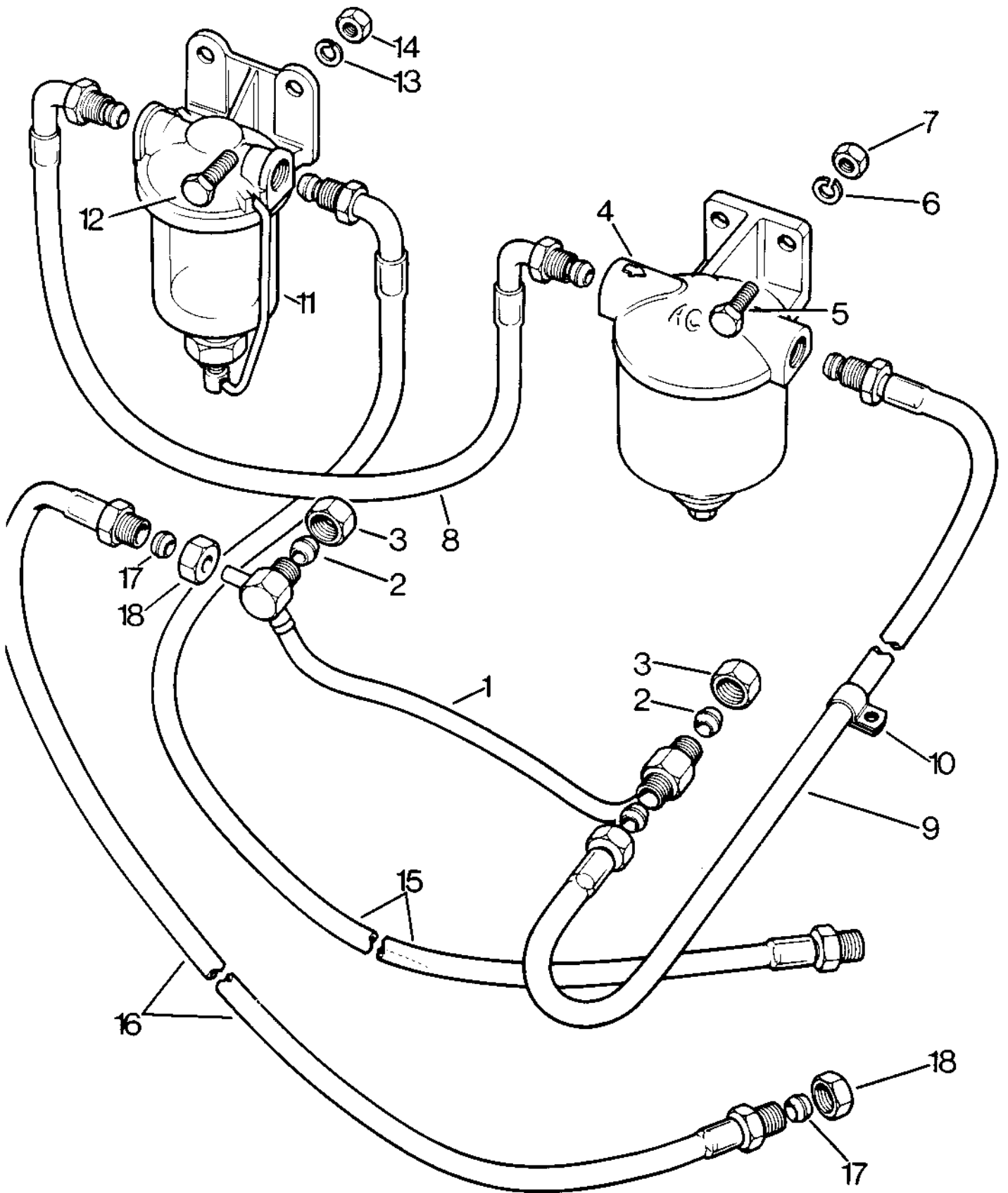


FUEL SYSTEM—Carburettors and Linkage

Plate Ref.	1	2	3	4	DESCRIPTION	Qty	Part No.	REMARKS
1					CARBURETTER COMPLETE, LH	1	613824*	
2					CARBURETTER COMPLETE, RH	1	613825*	
3					Diaphragm, for carburettors	2	605841	
					Gasket kit, for carburetter	2	605857	
					Needle valve kit, for carburetter	2	AAU2005*	
4					Plug, for LH carburetter (Vacuum advance)	1	614190	24 Volt only
5					Insulator, for carburetter	2	610849	
6					Joint washer, for carburetter and insulator	4	568365	
7					Liner, carburetter to inlet manifold	2	611026	
8					Spring washer } Fixing carburetter to inlet manifold	8	WM600051	
9					Nut ($\frac{5}{16}$ " UNF) }	8	254831	
10					Vacuum pipe, LH carburetter to distributor	1	ERC2194*	
11					Clip	1	90514721	} 12 Volt only
12					Grommet, for clip } Fixing vacuum pipe to inlet	1	541215	
13					Screw ($\frac{1}{4}$ " UNC \times $\frac{5}{8}$ ") manifold	1	253206	
14					Spring washer	1	WM600041	
15					Adjusting lever, at RH throttle lever	1	612320	
16					Set bolt (8 UNC \times $\frac{3}{4}$ ") } Fixing adjusting lever to	1	257123	
17					Spring washer } RH throttle lever	1	WM702001	
18					Plain washer	1	3902	
19					Throttle link	1	610336	
20					Spring washer } Fixing throttle link to carburetter	2	WM702001	
21					Nut, 2BA } levers	2	RTC608	
22					PIPE, CHOKE CONNECTING	1	613514	
23					Olive } Connecting choke pipe to carburettors	2	611015	
24					Union nut }	2	90611014	
25					Throttle lever LH	1	610333	
26					Set bolt (8 UNC \times $\frac{3}{4}$ ") }	1	257123	
27					Spring washer } Fixing LH throttle lever	1	WM702001	
28					Plain washer	1	3902	

* Asterisk indicates a new part which has not been used on any previous model.

FUEL SYSTEM—Pipes and Filters



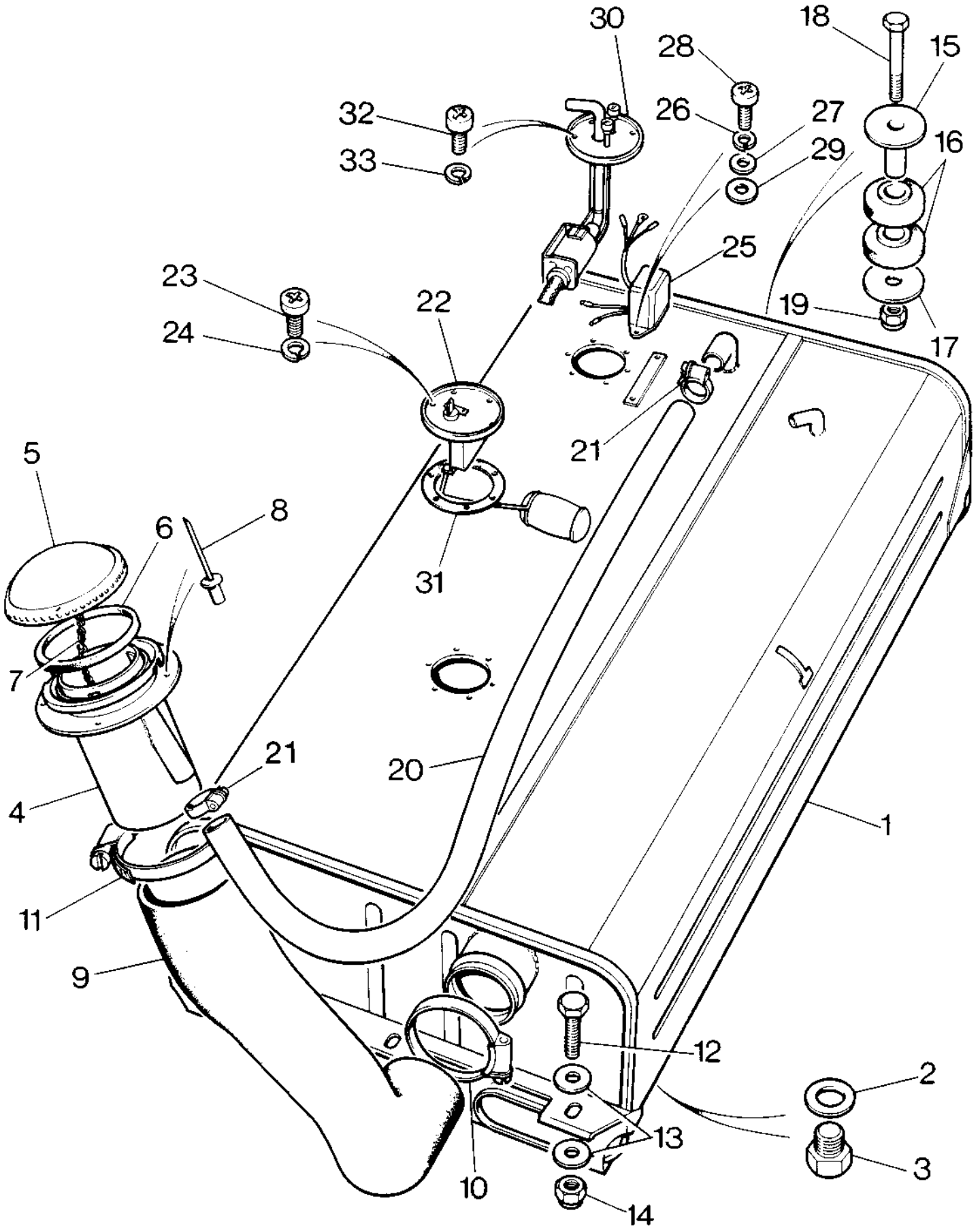
5RE214

FUEL SYSTEM—Pipes and Filters

Plate Ref.	1	2	3	4	DESCRIPTION	Qty	Part No.	REMARKS
1					PETROL FEED PIPE TO CARBURETTER	1	613786*	
2					Olive	2	568575	
3					Union nut	2	534790	
4					SEDIMENT BOWL	1	90577508	
					Element and seal for sediment bowl	1	606204	
5					Screw (M6×16) } Fixing sediment	2	SH106161	
6					Spring washer } bowl to	2	810005	
7					Nut (M6) } connecting angle	2	NH106041	
8					Fuel pipe, filter to filter connection	1	90577645	
9					Fuel pipe, sediment bowl to carburetter	1	624221	
10					Cable clip, fuel pipe to manifold	1	552848	
11					Fuel filter, visual	1	267494	
12					Screw (M6×16) } Fixing fuel filter	2	SH106161	
13					Spring washer (M6) }	2	810005	
14					Nut (M6) }	2	NH106041	
15					Pipe, petrol tank to visual filter	1	595233*	
16					Spill return pipe	1	595236*	
17					Olive	2	568575	
18					Union nut	2	534790	

* Asterisk indicates a new part which has not been used on any previous model.

FUEL SYSTEM—Fuel Tank and Pump



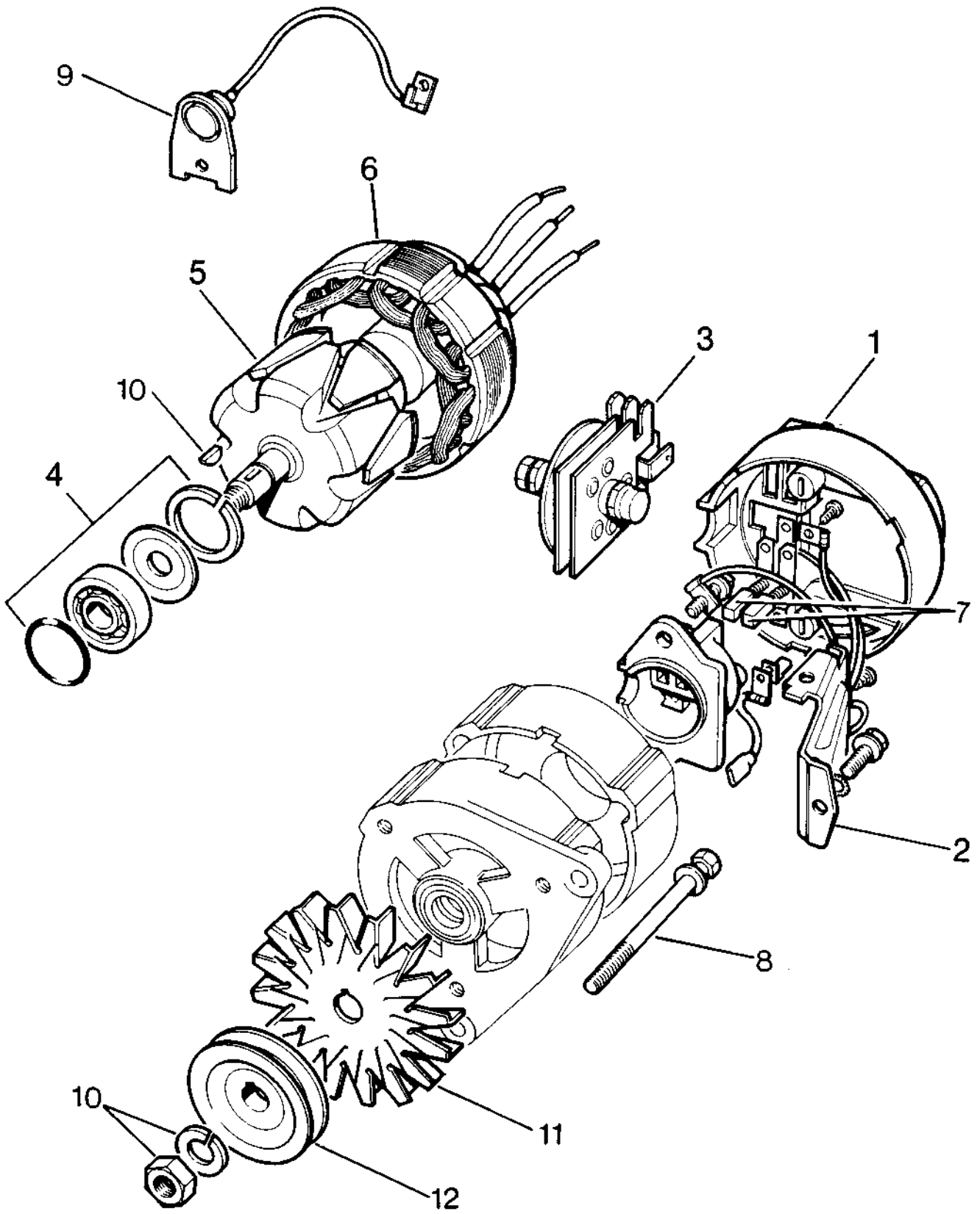
5RE 213

FUEL SYSTEM—Fuel Tank and Pump

Plate Ref.	1	2	3	4	DESCRIPTION	Qty	Part No.	REMARKS
1					FUEL TANK	1	598952*	
2					Joint washer	1	515599	
3					Drain plug	1	540870	
4					SIDE FILLER FOR FUEL TANK	1	595232*	
5					Filler cap	1	569006	
6					Gasket	1	624425	
7					Chain for cap	1	231190	
8					Pop rivet for filler to cover plate	4	78652	
9					Hose, filler to tank	1	595231*	
10					Clip, hose to tank	1	GHC2228	
11					Clip, hose to filter	1	603901*	
12					Bolt (M8×25)	3	SH108251	} Fixing fuel tank to frame, front
13					Plain washer	6	WC108051	
14					Nut (M8 Nyloc)	3	NY108041	
15					Spacer tube	1	592494*	
16					Mounting rubber	2	572295	} Fixing fuel tank to frame, rear
17					Washer	1	566580	
18					Bolt (10 mm×60 mm)	1	889721*	
19					Self-locking nut (10 mm)	1	810503*	
20					Breather pipe, petrol tank	1	595235*	
21					Clip, pipe to tank and filter	2	603890	
22					Gauge unit for fuel tank	1	579375*	12 volt
					Gauge unit for fuel tank	1	579324*	24 volt
23					Screw (3 BA× $\frac{3}{8}$ ")	6	3890	} Gauge unit to tank
24					Spring washer	6	3101	
25					Suppressor box for fuel pump	1	PRC1254	
26					Spring washer	2	WM103001	} Suppressor box to fuel tank
27					Plain washer	2	880791	
28					Screw (M3×8)	4	851407	
29					Plain washer	2	4032	
30					Fuel pump	1	589322*	
31					Sealing washer for fuel pump	1	RTC1148	
32					Bolt (3 BA× $\frac{3}{8}$ ")	6	3890	} Fixing fuel pump
33					Spring washer	6	3101	

* Asterisk indicates a new part which has not been used on any previous model.

ELECTRICAL—Alternator, 16 ACR (12 volt)



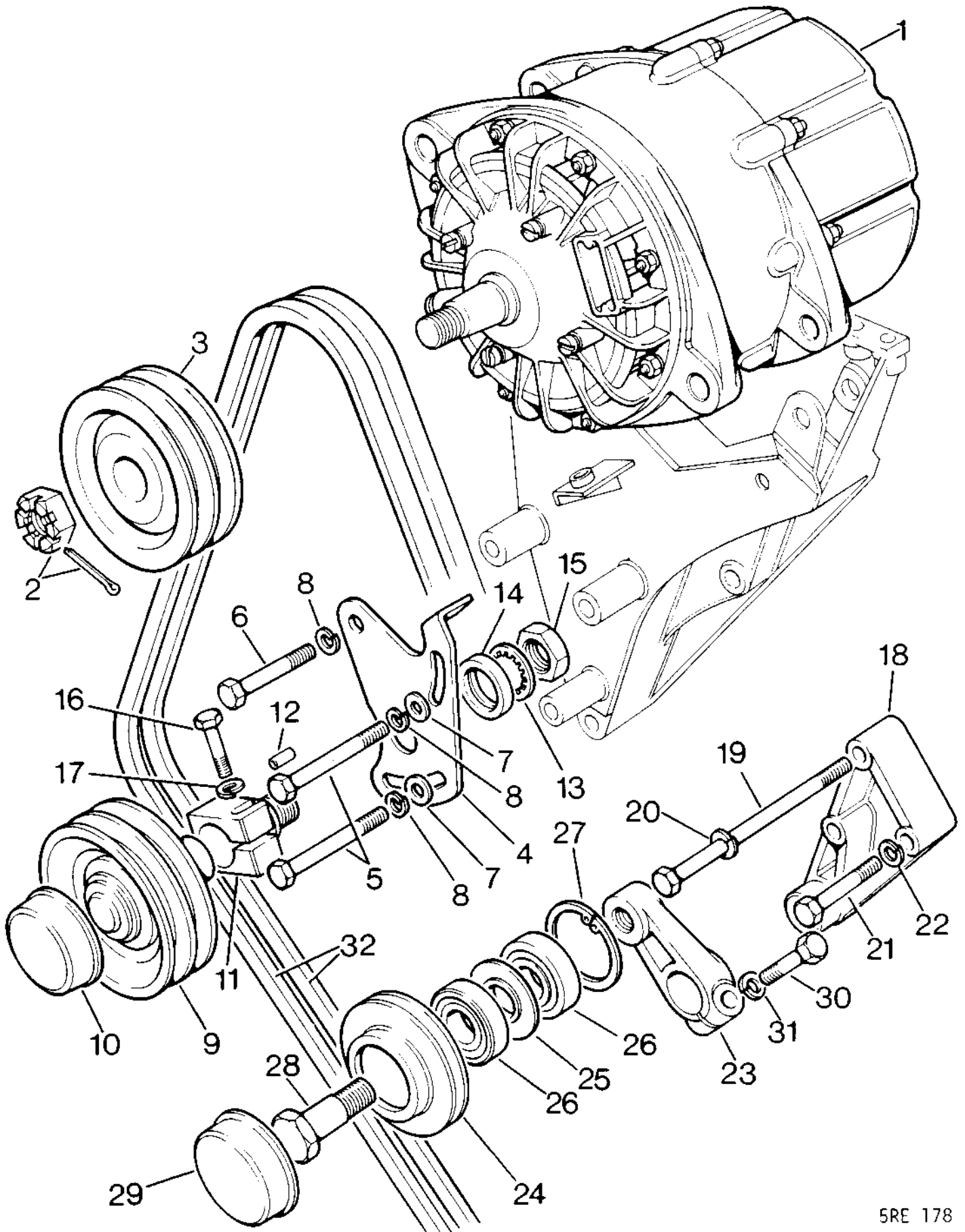
5RE169

ELECTRICAL—Alternator, 16 ACR (12 volt)

Plate Ref.	1	2	3	4	DESCRIPTION	Qty	Part No.	REMARKS
					ALTERNATOR COMPLETE WITH FAN, 12 VOLT	1	589714*	
1					Cover	1	UKC1655	
2					Regulator	1	RTC1003	
3					Rectifier	1	RTC1004	
4					Bearing kit, drive end	1	606826	
					Bearing kit, slip ring end	1	606832	
5					Rotor	1	AAU2053	
6					Stator	1	606828	
7					Brush set	1	GGB504	
8					Special bolt	3	606835	
9					Surge protection device	1	AAU1506	
10					Sundry parts kit	1	606837	
11					Fan	1	147990	
12					Pulley for alternator	1	602505	

* Asterisk indicates a new part which has not been used on any previous model.

ELECTRICAL—Alternator, 24 Volt Pulleys and Driving Belts

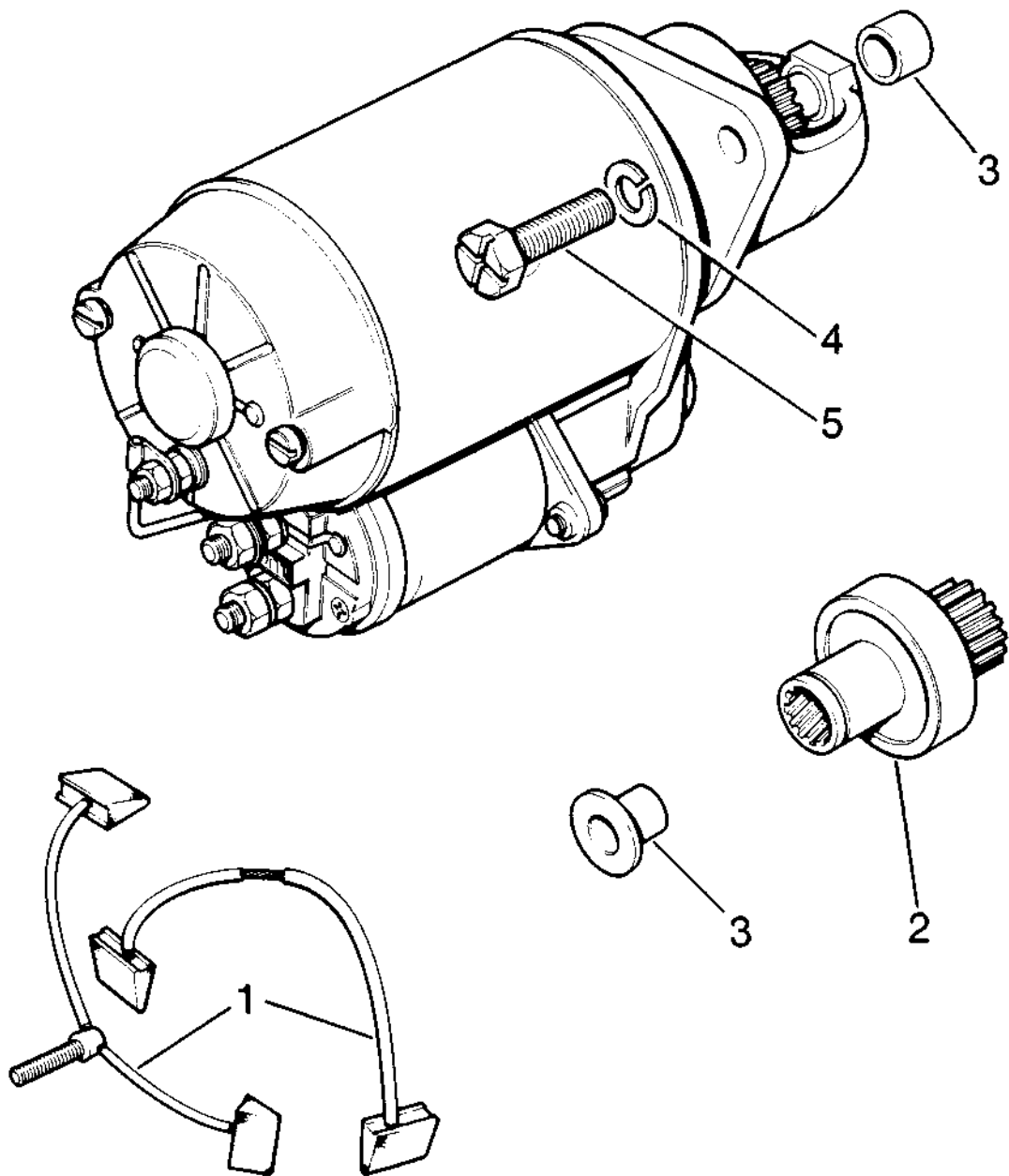


5RE 178

ELECTRICAL—Alternator, 24 Volt, Pulleys and Driving Belts

Plate Ref.	1	2	3	4	DESCRIPTION	Qty	Part No.	REMARKS
1					ALTERNATOR COMPLETE, 24 VOLT	1	547165	
					Brush	2	606339	
					Spring for brush	2	600825	
					Oil seal, drive end outer	1	601646	
					Roller bearing, drive end	1	601643	
					Oil seal, drive end cover shield	1	601648	
					Oil seal, drive end inner	1	601644	
					Circlip, drive end	1	600801	
					Oil seal, slip ring end	1	601645	
2					Special slotted nut, for shaft	1	600833	
3					Pulley for alternator	1	554286	
4					Adjusting plate, for idler pulley	1	90613214	
5					Bolt ($\frac{5}{16}$ " UNC \times 2 $\frac{3}{4}$ ")	2	254029	} alternator support bracket and adjusting plate to alternator mtg bracket
6				Bolt ($\frac{5}{16}$ " UNC \times 2 $\frac{1}{2}$ ")	1	254028		
7				Plain washer	2	2266		
8				Spring washer	3	WM600051		
9					IDLER PULLEY ASSEMBLY, FOR ALTERNATOR	1	614465	
10					Cap for idler pulley	1	614467	
11					BEARING SUPPORT ASSEMBLY, FOR IDLER PULLEY	1	90610568	
12					Spring dowel pin	1	610508	
13					Shakeproof washer	1	78193	} Fixing bearing support assembly to adjusting plate
14					Distance piece	1	613016	
15					Nut ($\frac{3}{4}$ " UNF)	1	254877	
16					Bolt ($\frac{5}{16}$ " UNF \times 1 $\frac{1}{4}$ ")	1	256220	} For bearing support assembly
17					Spring washer	1	WM600051	
18					Support bracket, for fan and water pump tensioning pulley	1	90613780	
19					Bolt ($\frac{5}{16}$ " UNC \times 6")	2	253964	} Fixing support bracket to water pump casing and cylinder block
20					Spring washer	2	WM600051	
21					Bolt ($\frac{1}{4}$ " UNC \times 2 $\frac{3}{8}$ ")	1	253965	
22					Spring washer	1	WM600041	
					TENSIONING PULLEY ASSEMBLY, FOR FAN AND WATER PUMP	1	614533	
23					Adjusting arm	1	90613782	
24					Pulley	1	614534	
25					Spacer	1	613785	
26					Bearing	2	90611634	
27					Circlip	1	217500	
28					Spindle bolt	1	613784	
29					Cap, for pulley	1	614535	
30					Clamping bolt ($\frac{5}{16}$ " UNF \times 1 $\frac{1}{4}$ ")	1	256220	} For tensioning pulley arm
31					Spring washer	1	WM600051	
32					Driving belts, for alternator (pair)	1	613020	

ELECTRICAL—Starter Motor, 12 & 24 Volt



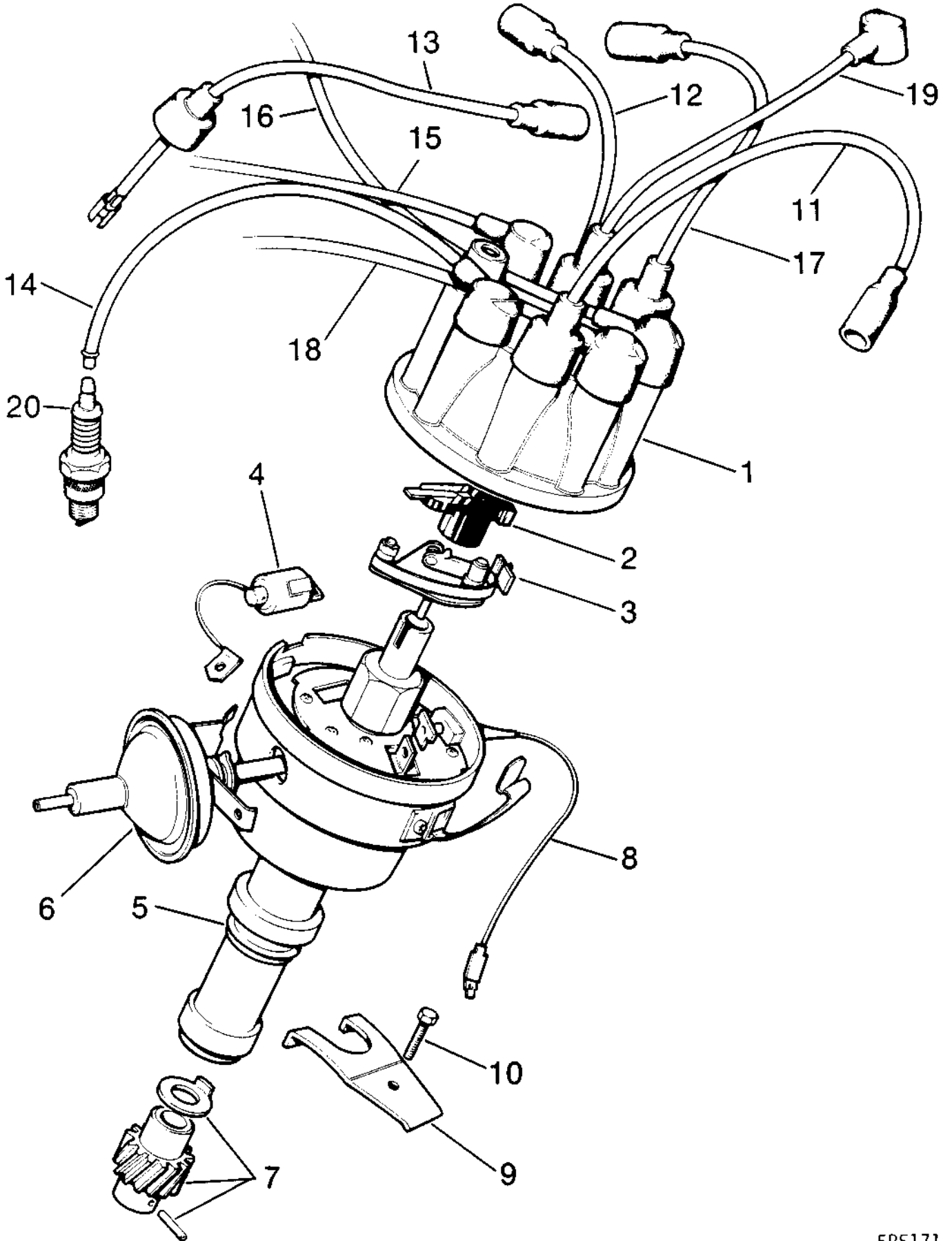
5RE170

ELECTRICAL—Starter Motor, 12 & 24 Volt

Plate								
Ref.	1	2	3	4	DESCRIPTION	Qty	Part No.	REMARKS
					STARTER MOTOR COMPLETE	1	589816*	12 volt
					STARTER MOTOR COMPLETE	1	589817*	24 volt
1					Brush kit	1	GSB114	12 volt
					Brush kit	1	AAU7405	24 volt
2					Drive kit	1	RTC 834	
3					Bush kit	1	608352	
					Sundry parts kit	1	90608178	
4					Spring washer	2	WM600061	Fixing starter motor to cylinder block
5					Special bolt	2	ERC1349	

* Asterisk indicates a new part which has not been used on any previous model.

ELECTRICAL—Distributor and Ignition Harness (12 Volt)



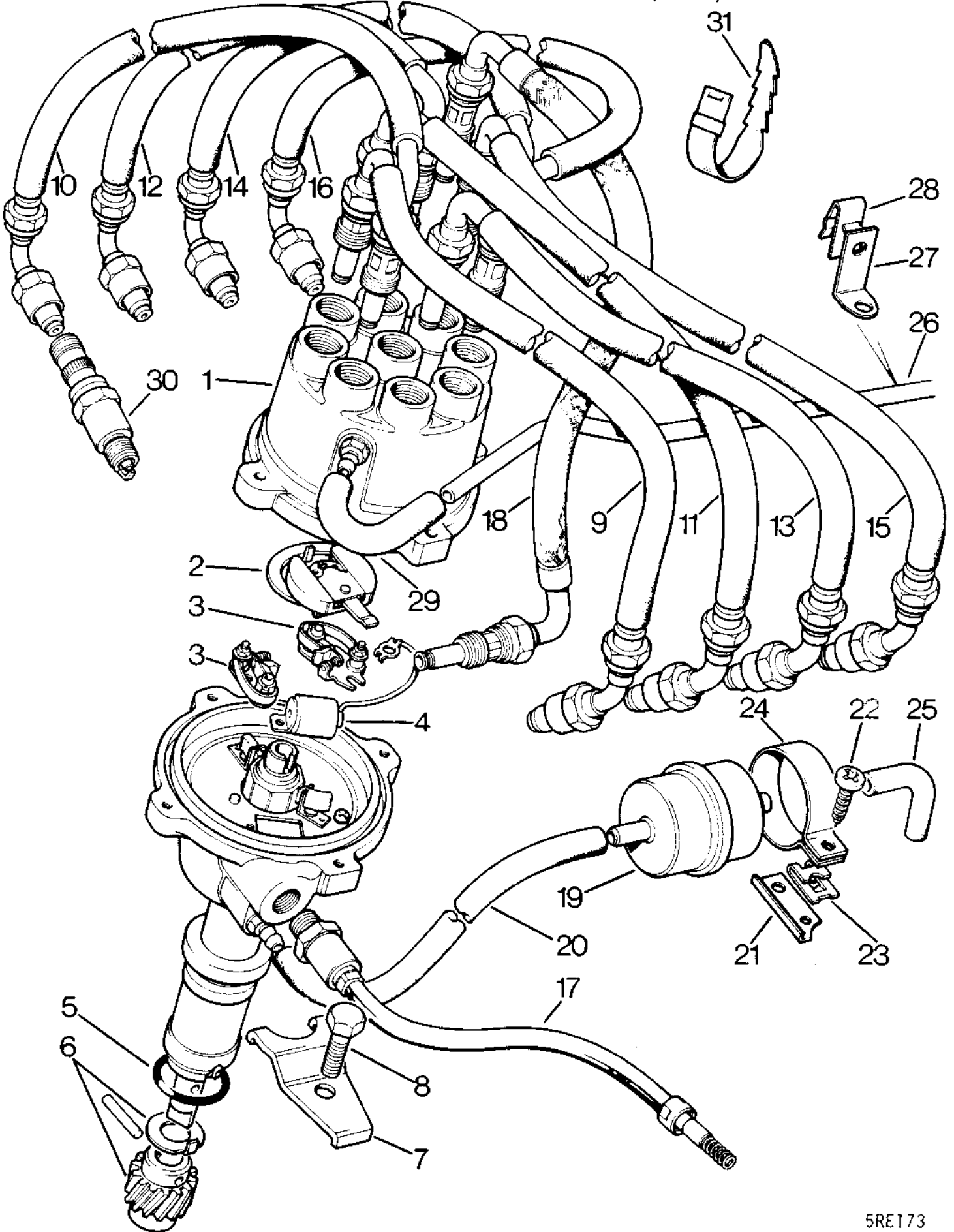
5RE171

ELECTRICAL—Distributor and Ignition Harness (12 Volt)

Plate Ref.	1	2	3	4	DESCRIPTION	Qty	Part No.	REMARKS
					DISTRIBUTOR COMPLETE (less leads)	1 614179	
1					Cap assembly	1 GDC117	
2					Rotor arm	1 GRA112	
3					Contact set	1 GCS117	
4					Condenser	1 GSC108	
5					Sealing ring	1 603446	
6					Vacuum unit	1 608194	
7					Driving gear with pin and thrust washer	1 605217	
8					Lead, LT, Distributor to coil	1 608197	
9					Clamp		1 613857	} Fixing distributor to timing cover
10					Bolt ($\frac{3}{8}$ " UNC \times 1 $\frac{1}{2}$)		1 253051	
11					Plug lead No. 1	1 90614591	
12					Plug lead No. 2	1 614592	
13					Plug lead No. 3	1 614593	
14					Plug lead No. 4	1 614594	
15					Plug lead No. 5	1 614595	
16					Plug lead No. 6	1 614596	
17					Plug lead No. 7	1 614597	
18					Plug lead No. 8	1 614598	
19					Lead, HT, Distributor to coil	1 90614599	
20					Sparking plug	8 L92Y	

* Asterisk indicates a new part which has not been used on any previous model.

ELECTRICAL—Distributor and Ignition Harness (24 volt)



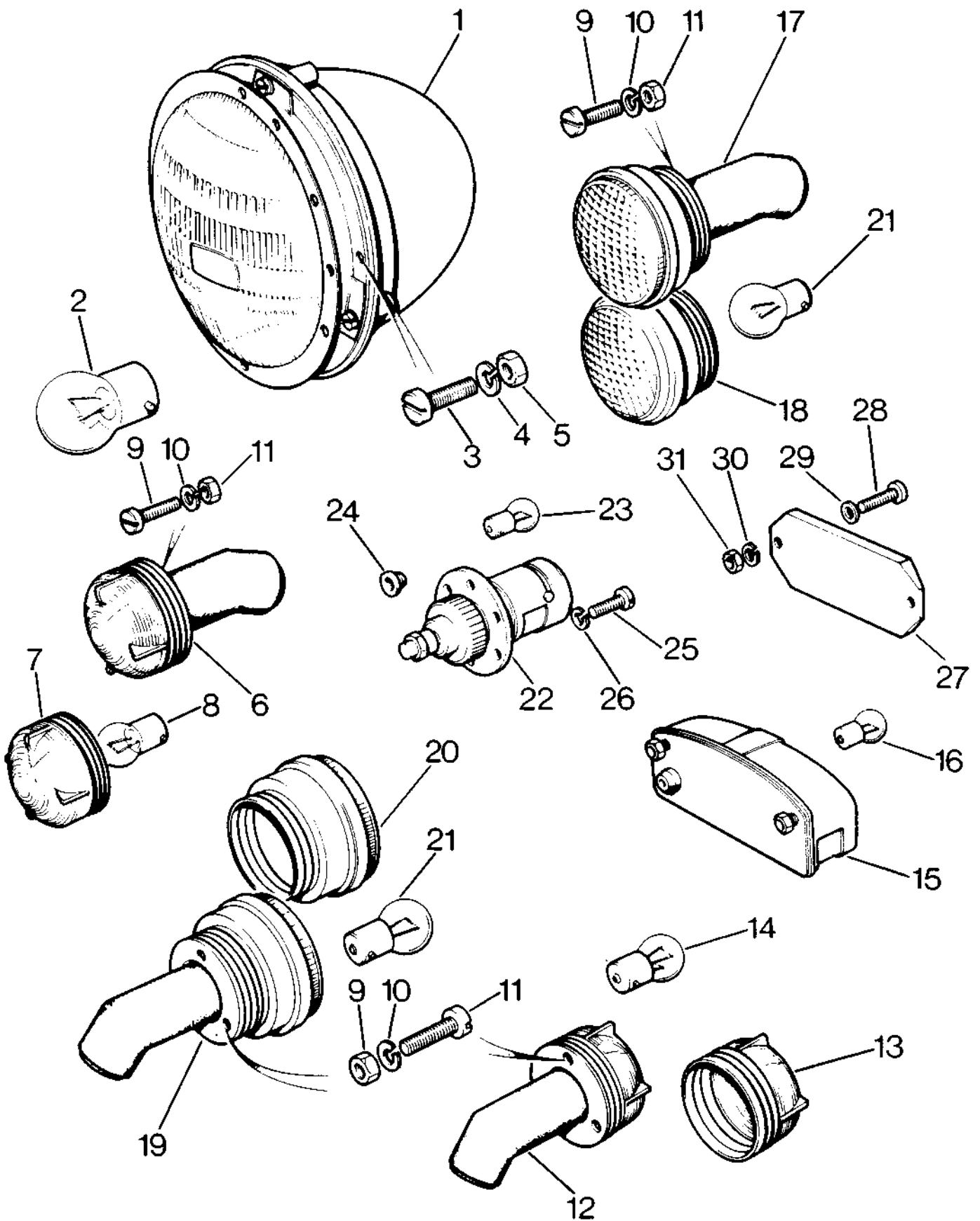
5RE173

ELECTRICAL—Distributor and Ignition Harness (24 volt)

Plate Ref.	1	2	3	4	DESCRIPTION	Qty	Part No.	REMARKS
					DISTRIBUTOR COMPLETE (less leads)	1	90613827*	
1					Cover assembly (includes brush and spring)	1	AAU1394*	
2					Rotor arm	1	AAU1396*	
3					Contact set	2	AAU1393*	
4					Condenser	1	AAU1395*	
5					'O' ring, oil seal	1	603446	
6					Driven gear and pin	1	605217	
7					Clamp for distributor	1	602397	
8					Bolt ($\frac{3}{8}$ " UNC×1"), fixing distributor to timing cover	1	253047	
9					Plug lead No. 1	1	ERC1616*	
10					Plug lead No. 2	1	ERC1620*	
11					Plug lead No. 3	1	ERC1621*	
12					Plug lead No. 4	1	ERC1617*	
13					Plug lead No. 5	1	ERC1622*	
14					Plug lead No. 6	1	ERC1618*	
15					Plug lead No. 7	1	ERC1619*	
16					Plug lead No. 8	1	ERC1623*	
17					LT lead, coil to distributor	1	AAU1425*	
18					HT lead, coil to distributor	1	ERC1615*	
19					Filter	1	606168	
20					Pipe } Venting distributor	1	90613814*	
21					Bracket for filter	1	614238	
22					Screw (No. 8× $\frac{1}{2}$ ")	1	534907	
23					Spire nut	1	79049	
24					Clip for filter	1	613805	
25					Pipe, filter inlet	1	614255	
26					Pipe, distributor to inlet duct	1	614235	
27					Bracket	2	614239	
28					Clip } Fixing pipe	2	603546	
29					Connector for pipe	2	614236	
30					Sparking plug	8	90613465	
31					Clip for spark plug leads	3	240431	

* Asterisk indicates a new part which has not been used on any previous model.

ELECTRICAL—Lamps 12 and 24 Volt



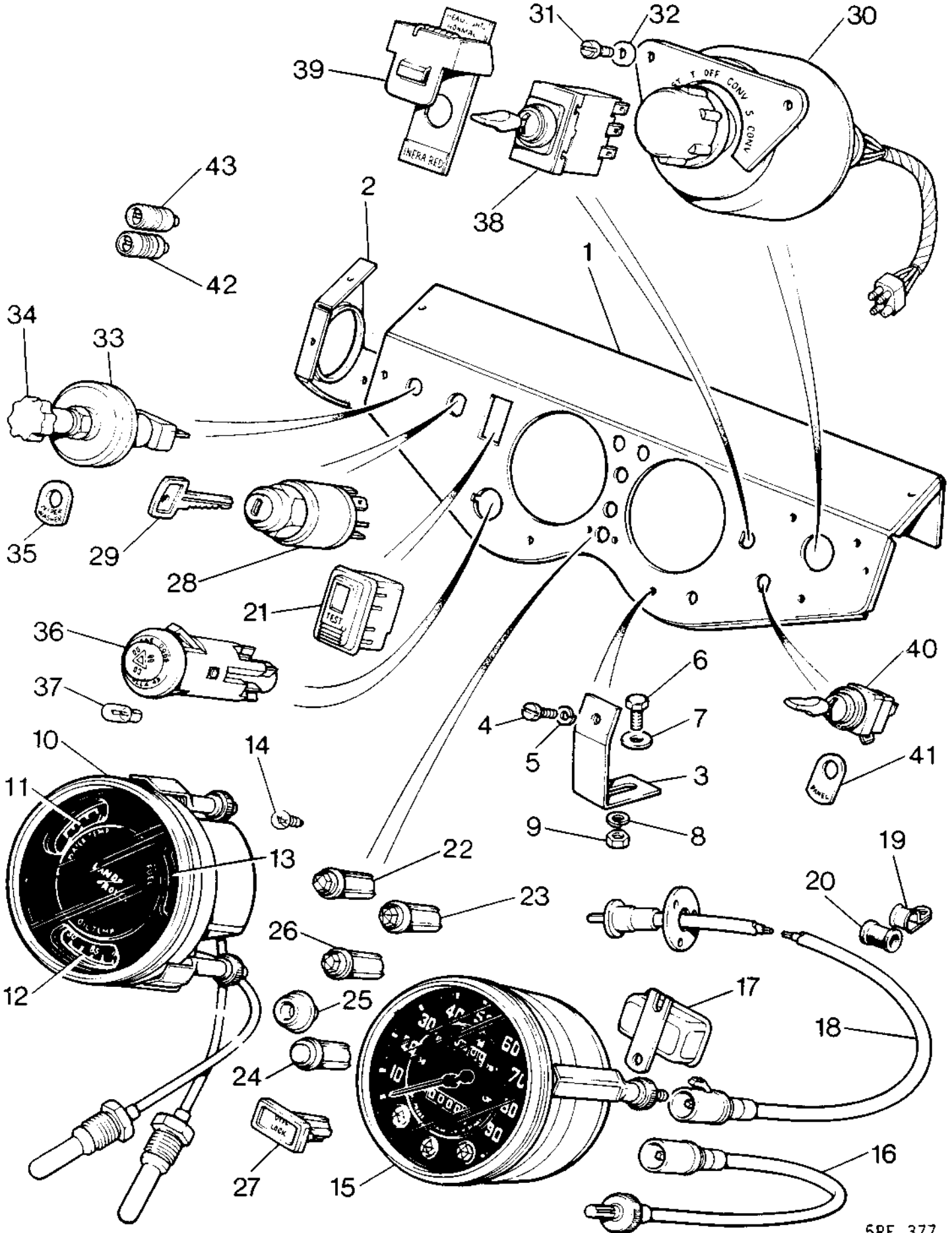
5RE175

ELECTRICAL—Lamps, 12 and 24 Volt

Plate	Ref.	1	2	3	4	DESCRIPTION	Qty	Part No.	REMARKS
	1					HEADLAMP COMPLETE	2	264579	12 volt
	2					Bulb for headlamp	2	565233	
						HEADLAMP COMPLETE	2	514774	24 volt
						Bulb for headlamp	2	514775	
	3					Screw (M5×12)	6	SE105121	
	4					Spring washer	6	810026	
	5					Nut, (M5)	6	854031	
	6					SIDELAMP, LESS BULB	2	RTC1931	
	7					Lens for sidelamp	2	600855	
	8					Bulb for sidelamp	2	GLB207	12 volt
						Bulb for sidelamp	2	GLB149	24 volt
	9					Screw (M3×12) pan head	24	880827	
	10					Spring washer	24	WM103001	
	11					Nut (M3)	24	854051	
	12					STOP/TAIL LAMP LESS BULB	2	RTC1919	
	13					Lens for stop/tail lamp	2	AAU1079	
	14					Bulb for stop/tail lamp	2	GLB380	12 volt
						Bulb for stop/tail lamp	2	529958	24 volt
	15					NUMBER PLATE LAMP	1	234213	12 volt
						NUMBER PLATE LAMP	1	560545	24 volt
	16					Bulb for number plate lamp	1	GLB989	12 volt
						Bulb for number plate lamp	1	GLB227	24 volt
	17					FRONT FLASHER LAMP, LESS BULB	2	RTC1885	
	18					Lens for front flasher lamp	2	RTC1843	
	19					REAR FLASHER LAMP, LESS BULB	2	RTC1886	
	20					Lens for rear flasher lamp	2	RTC1844	
	21					Bulb for flasher lamp	4	GLB382	12 volt
						Bulb for flasher lamp	4	GLB241	24 volt
	22					CONVOY LAMP COMPLETE	1	268616	12 volt
						CONVOY LAMP COMPLETE	1	510165	24 volt
	23					Bulb for convoy lamp	1	268631	12 volt
						Bulb for convoy lamp	1	GLB149	24 volt
	24					Sealing gland for lamp	1	536126	
	25					Screw (4BA× $\frac{5}{16}$ ")	3	78415	
	26					Spring washer	3	810007	
	27					Red rear reflector	2	589877*	
	28					Screw (M3×12)	4	880827*	
	29					Plain washer	4	851407*	
	30					Spring washer	4	WM103001	
	31					Nut (M3)	4	854051	

* Asterisk indicates a new part which has not been used on any previous model.

ELECTRICAL—Instruments, 12 and 24 Volt

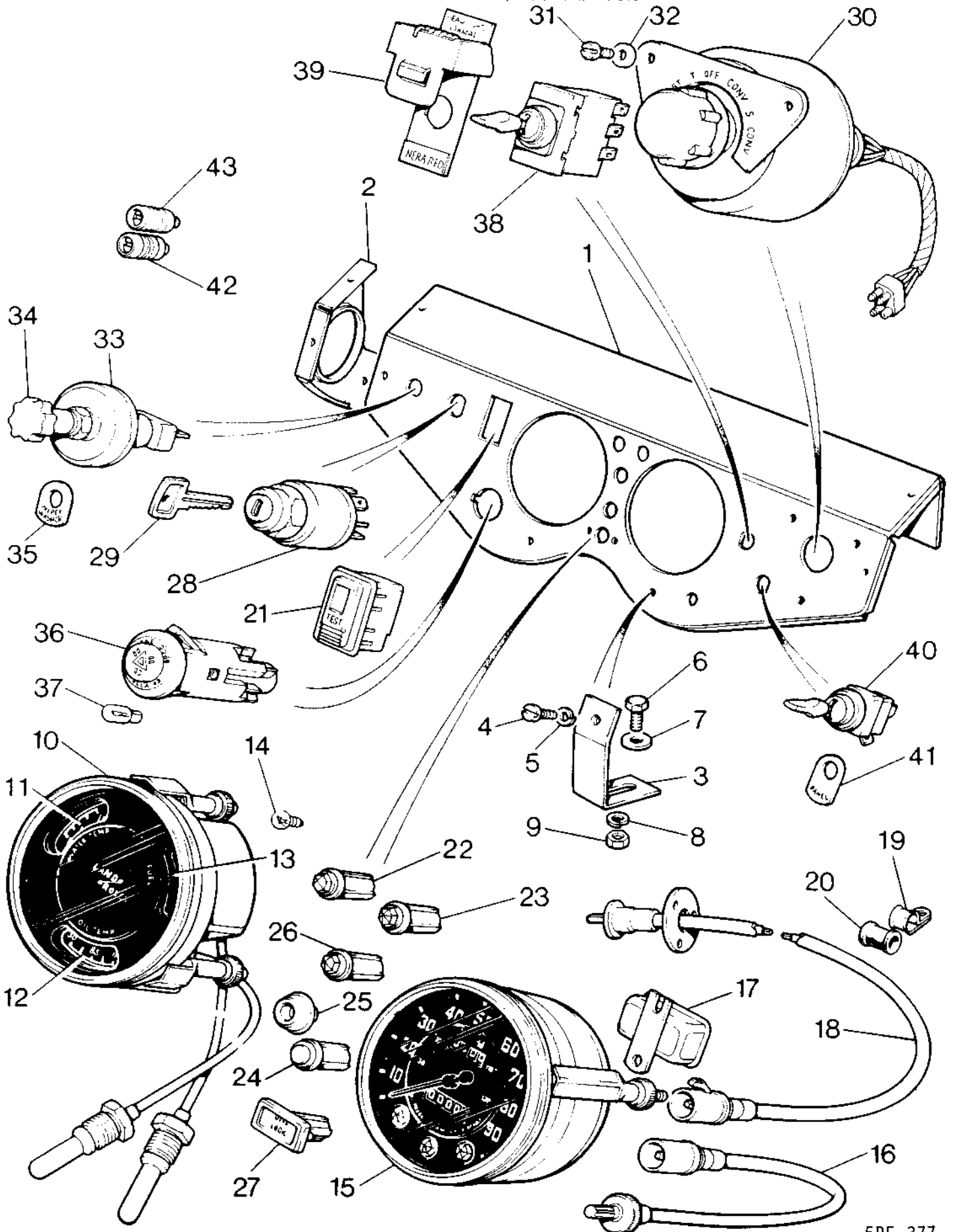


ELECTRICAL—Instruments, 12 and 24 Volt

Plate	Ref.	1	2	3	4	DESCRIPTION	Qty	Part No.	REMARKS
	1					Instrument panel, front plate	1	398725	RH Stg
						Instrument panel, front plate	1	398726	LH Stg
						End plate for instrument panel, RH	1	MRC1526	
	2					End plate for instrument panel, LH	1	MRC1527	
	3					Support bracket, RH	1	MRC1528	
						Support bracket, LH	1	MRC1529	
	4					Screw (M4×12) } Supports to panel	6	881687	
	5					Spring washer } and end plates	6	WM104001	
	6					Screw (M6×16) } Fixing instrument	2	SH106161	
	7					Plain washer } panel bracket to	2	WB106041	
	8					Spring washer } steering column	2	WM106001	
	9					Nut (M6) .. } support	2	NH106041	
						Bolt (6 mm×12 mm) } Fixing instrument	2	890067	
						Spring washer } panel end plate to	2	WM106001	
						Nut (M6) .. } dash rail	2	NH106041	
	10					GAUGE PANEL COMPLETE	1	589508	12 volt
						GAUGE PANEL COMPLETE	1	589339	24 volt
	11					Water temperature gauge	1	589527	
	12					Oil temperature gauge	1	589528	
	13					Fuel gauge	1	555835	12 volt
						Fuel gauge	1	560761	24 volt
	14					Bulb for panel lights, SP.987	5	GLB987	12 volt
						Bulb for panel lights, SP.650	5	GLB650	24 volt
						Bulb for panel lights, SP.281	4	GLB281	12 volt
						Bulb for panel lights, SP.283	4	575221	24 volt
	15					SPEEDOMETER C/W TRIP	1	PRC1057	
	16					Speedometer trip reset complete	1	90575223	
	17					Stabiliser, fitted to speedometer	1	559052	12 volt
	18					Cable complete for speedometer	1	589497	
	19					Clip .. } Speedometer	1	56667	
	20					Grommet for clip } cable	1	6860	
	21					Brake warning light—Red	1	589189	12 volt
						Brake warning light—Red	1	589266	24 volt
	22					Flasher warning light—Green	1	589027	
	23					Trailer flasher warning light—Orange	1	559322	
	24					Winch warning light—White	1	579349	
	25					Blanking plug, winch warning light hole	1	338015	When winch is not fitted
	26					Ignition warning light—Red	1	579007	
	27					Differential lock—warning light	1	623052	
	28					Switch for ignition and starter	1	551508	
	29					Key blank for ignition switch	1	CD31726B	
						Key, cut, for ignition switch	1	CD31726C	State key number required
	30					Switch for lamps 6-way	1	589326*	
	31					Screw (2BA× $\frac{3}{8}$ ") } Lighting switch	3	77941	
	32					Plain washer } to panel	3	WC105001	
	33					SWITCH FOR WIPER MOTOR AND SCREEN WASHER	1	579006	
	34					Knob for switch	1	90575153	
	35					Nameplate for switch 'WIPER/WASHER'	1	560918	

* Asterisk indicates a new part which has not been used on any previous model.

ELECTRICAL—Instruments, 12 and 24 Volt



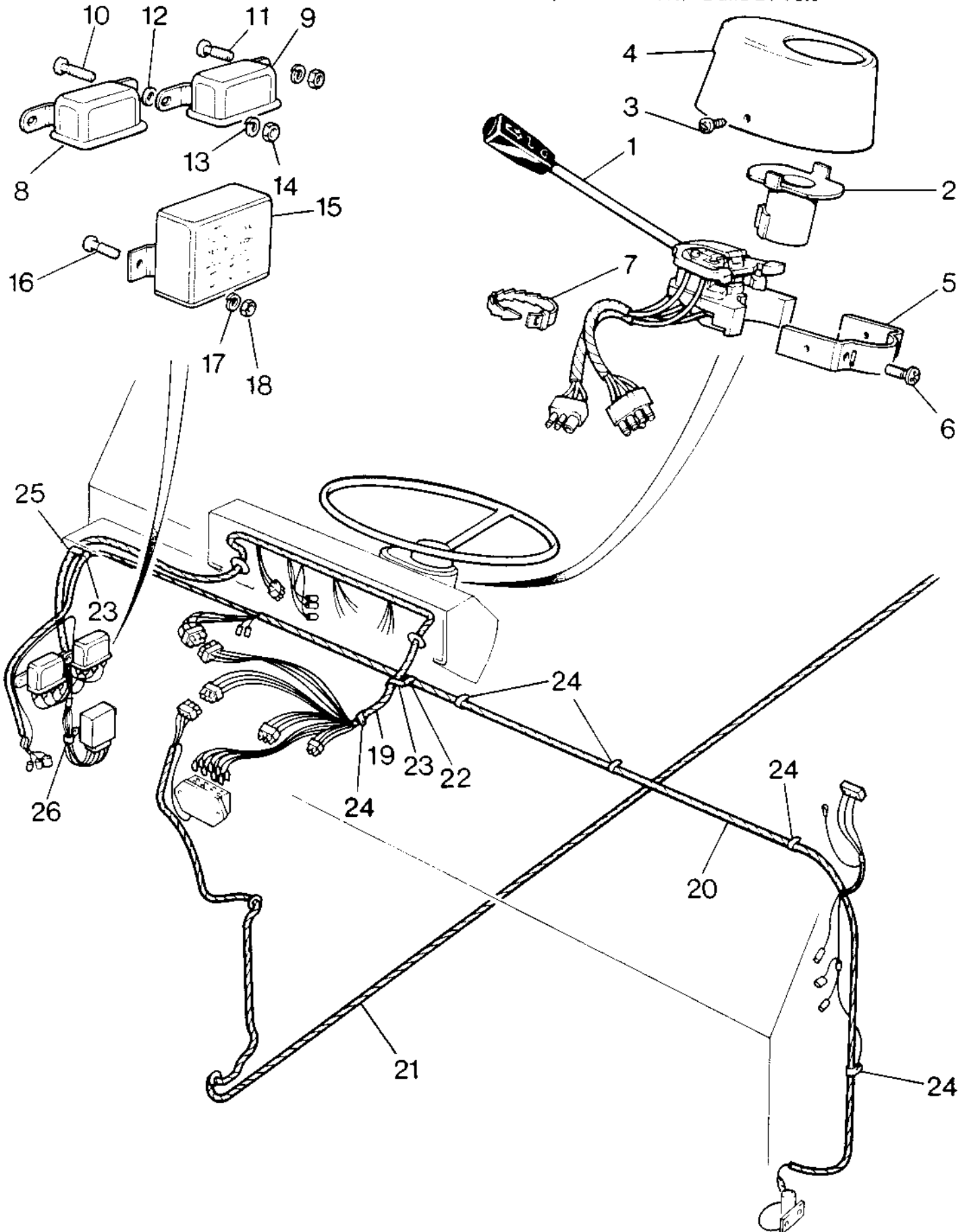
5RE 377

ELECTRICAL—Instruments, 12 and 24 Volt

Plate	Ref.	1	2	3	4	DESCRIPTION	Qty	Part No.	REMARKS
	36					Switch for hazard warning	1	579225	
	37					Bulb for switch	1	GLB281	12 volt
						Bulb for switch	1	575221	24 volt
	38					Switch for infra-red lamp	1	579129	
	39					Inhibitor for infra-red switch	1	589196	
	40					Switch for panel lights	1	RTC430	
	41					Nameplate for switch 'PANEL'	1	560404	
	42					Socket for inspection lamp—Black	1	579122	
	43					Socket for inspection lamp—Red	1	579121	
						Warning plate, AC system	1	336441	
						Warning plate, alternator installation	1	348434	
						Pop-rivet, fixing warning plates	8	78257	

* Asterisk indicates a new part which has not been used on any previous model.

ELECTRICAL—Steering Column Switches, Relays and Harness, 12 and 24 Volt

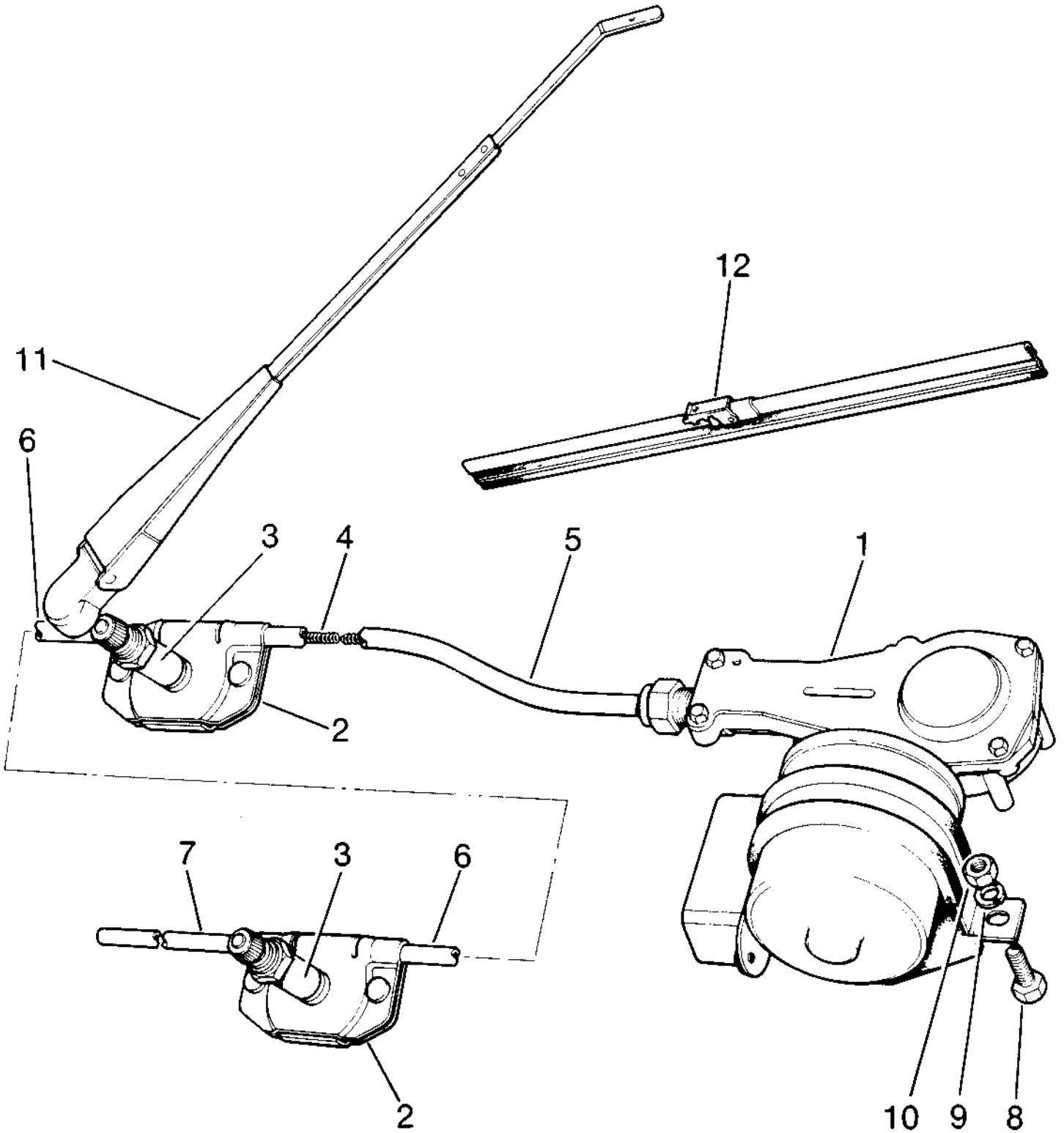


ELECTRICAL—Steering Column Switches, Relays and Harness, 12 and 24 Volt

Plate Ref.	1	2	3	4	DESCRIPTION	Qty	Part No.	REMARKS
1					Switch, headlamp dip and horn	1	589258	
2					Striker for switch	1	579332	
3					Screw (10 UNC×1 $\frac{1}{8}$ ")	1	79174	
4					Switch cover	1	589560	
5					Bracket for switch	1	589561	
6					Bolt (M5×10) fixing bracket	2	880511	
7					Cleat, leads to steering column	1	240431	
8					Relay, auxiliary	1	551407	12 volt
					Relay, auxiliary	1	90545020	24 volt
9					Relay, infra-red switch	1	579037	12 volt
					Relay, infra-red switch	1	579038	24 volt
10					Bolt (M5×16)	1	880547	
11					Bolt (M5×12)	2	880527	
12					Plain washer } Fixing relays	1	WC105001	
13					Spring washer }	3	WM105001	
14					Nut (M5) }	3	854037	
15					Indicator unit and hazard warning	1	579373	12 volt
					Indicator unit and hazard warning	1	579226	24 volt
16					Bolt (M8×12)	2	880527	
17					Spring washer } Fixing indicator unit	2	WM105001	
18					Nut (M5) }	2	854037	
19					Harness, instrument panel	1	PRC1417	
20					Cable, wiper motor, screen washer, side and flasher lamps	1	PRC5	RH Stg
					Cable, wiper motor, screen washer, side and flasher lamps	1	PRC6	LH Stg
21					Harness, side member	1	589329	
22					Clip	1	4170	
23					Clip } For instrument panel and	2	8885	
24					Clip } wiper motor harness	5	56666	
25					Clip }	1	56667	
26					Clip }	1	50639	
					Bolt (M5×12)	9	880527	
					Spring washer } Fixing clips	9	WC105001	
					Nut (M5) }	9	854037	

* Asterisk indicates a new part which has not been used on any previous model.

ELECTRICAL—Windscreen Wiper



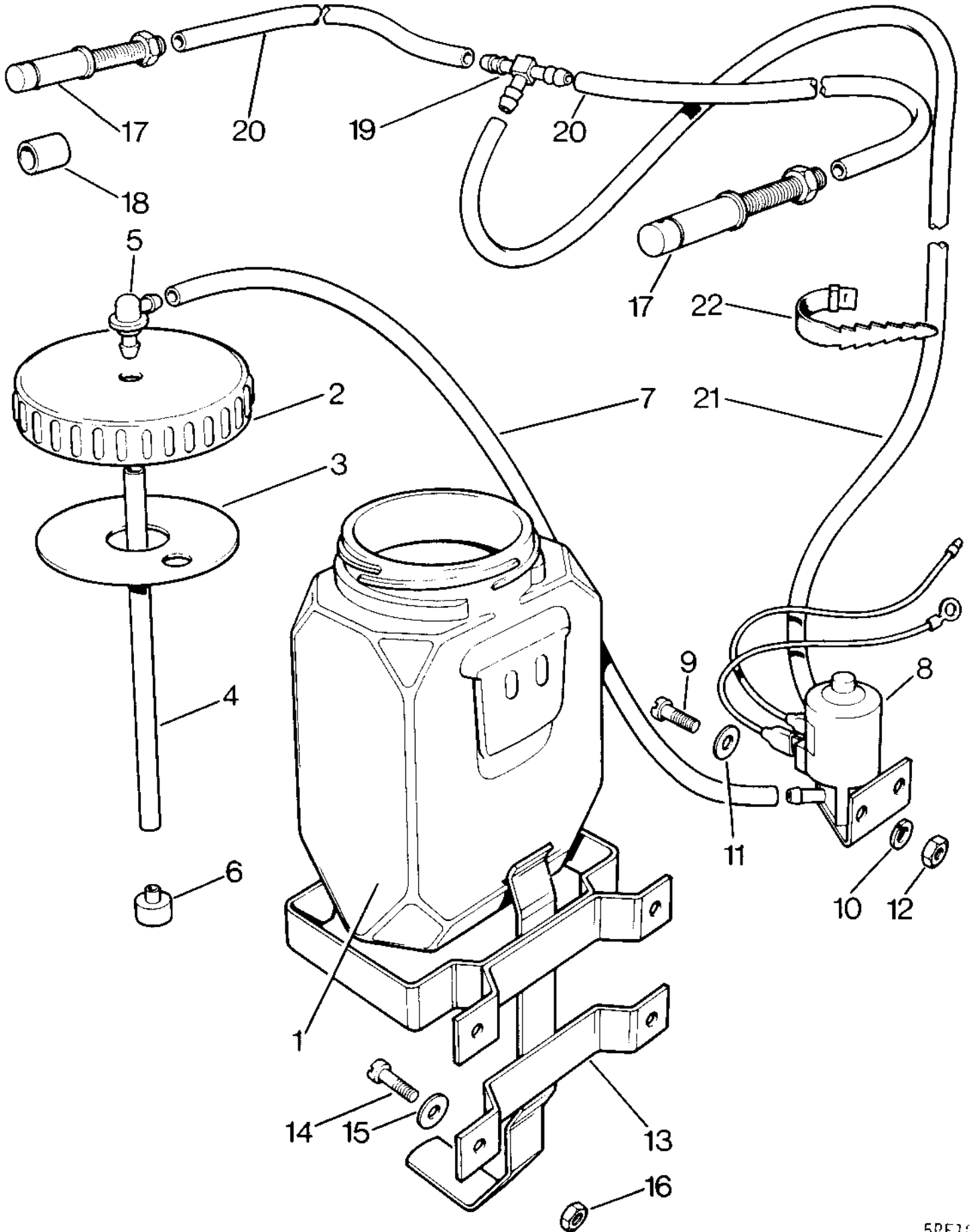
5RE172

ELECTRICAL—Windscreen Wiper

Plate									
Ref.	1	2	3	4	DESCRIPTION	Qty	Part No.		REMARKS
1					Windscreen wiper motor	1	RTC452	12 volt	
					Windscreen wiper motor	1	AAU1416*	24 volt	
					Gear for wiper motor	1	AAU1418*		
2					Wheelbox	2	37H7738		
3					Bush kit for wheelbox	1	519323		
4					Flexible drive cable	1	RTC202		
5					Outer casing, wheelbox to motor	1	AAU1909	} To be cut to size	
6					Outer casing, wheelbox to wheelbox	1	AAU1909		
7					Outer casing, wheelbox end	1	575047		
8					Bolt (M6×12)	2	890061		
9					Spring washer	2	WL106001		} Wiper motor to bracket
10					Nut (M6)	2	NH106041		
11					Windscreen wiper arm	2	589324	RH Stg	
					Windscreen wiper arm	2	589747	LH Stg	
12					Windscreen wiper blade	2	589325		

* Asterisk indicates a new part which has not been used on any previous model.

ELECTRICAL—Windscreen Washer



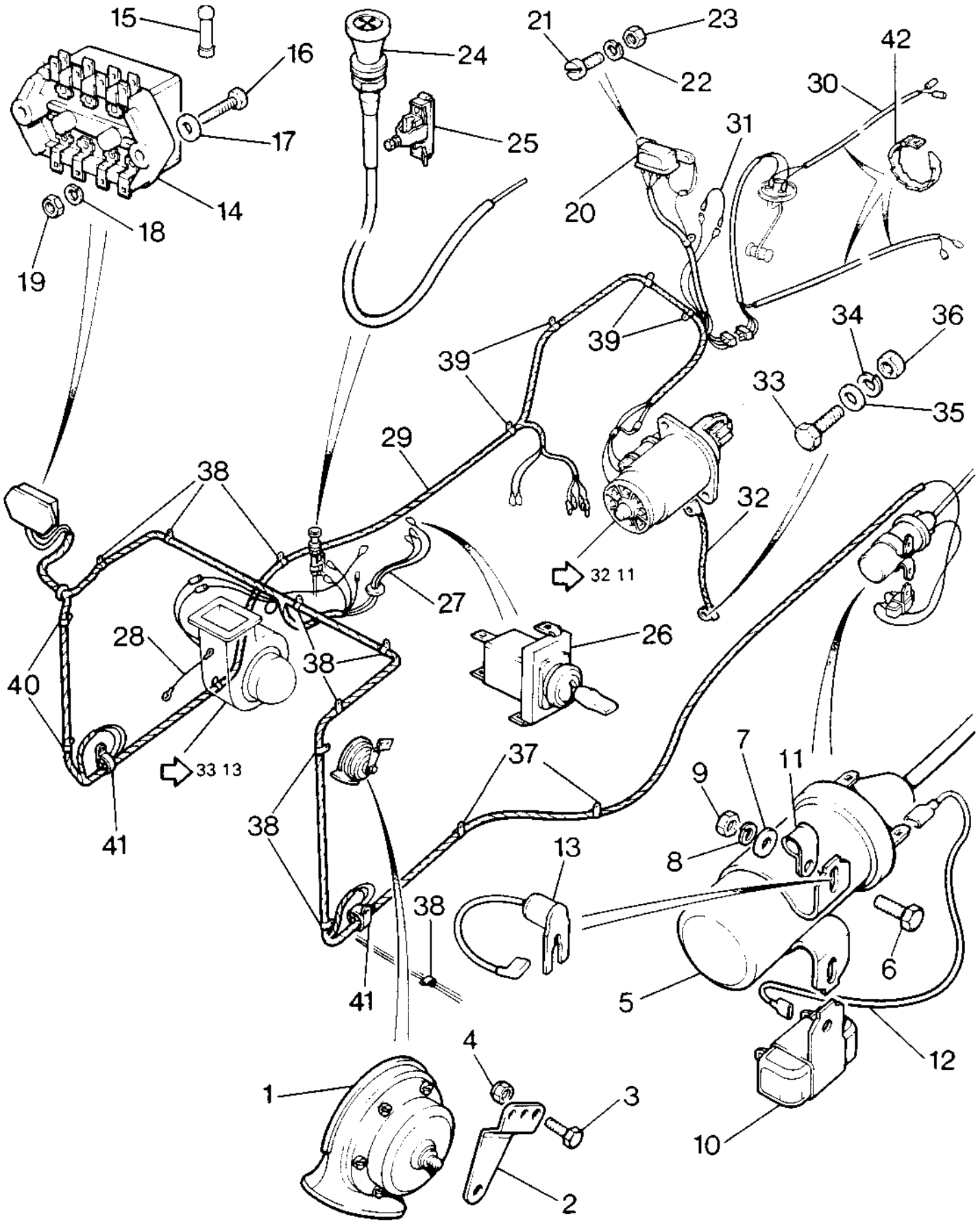
5RE7L

ELECTRICAL—Windscreen Washer

Plate	Ref.	1	2	3	4	DESCRIPTION	Qty	Part No.	REMARKS
	1					Washer bottle	1	567972	
	2					Cap for washer bottle	1	11676	
	3					Liner for cap..	1	573260	
	4					Tube for bottle	A/R	84221	
	5					Connector for tube	1	RTC1697	
	6					Non-return valve	1	90608330	
	7					Tube, bottle to pump	A/R	84221	
	8					Motor, pump	1	589353	12 volt
						Motor, pump	1	623091	24 volt
	9					Screw (M5×16)	2	880547	
	10					Spring washer	2	WM105001	
	11					Plain washer	2	WC105001	
	12					Nut (M5)	2	854037	
	13					Mounting bracket for washer bottle	1	589462	
	14					Screw (M5×16)	4	880547	
	15					Plain washer	4	WC105001	
	16					Nut (M5)	4	854037	
	17					Jet and tube complete	2	348066	
	18					Distance piece for jet	2	589383	
	19					'T' Piece	1	568028	
	20					Tube, jet to 'T' piece	A/R	84220	
	21					Tube, 'T' piece to pump	A/R	84221	
	22					Cleat for tubes	6	240429	

* Asterisk indicates a new part which has not been used on any previous model.

GENERAL ELECTRICAL EQUIPMENT, 12 Volt

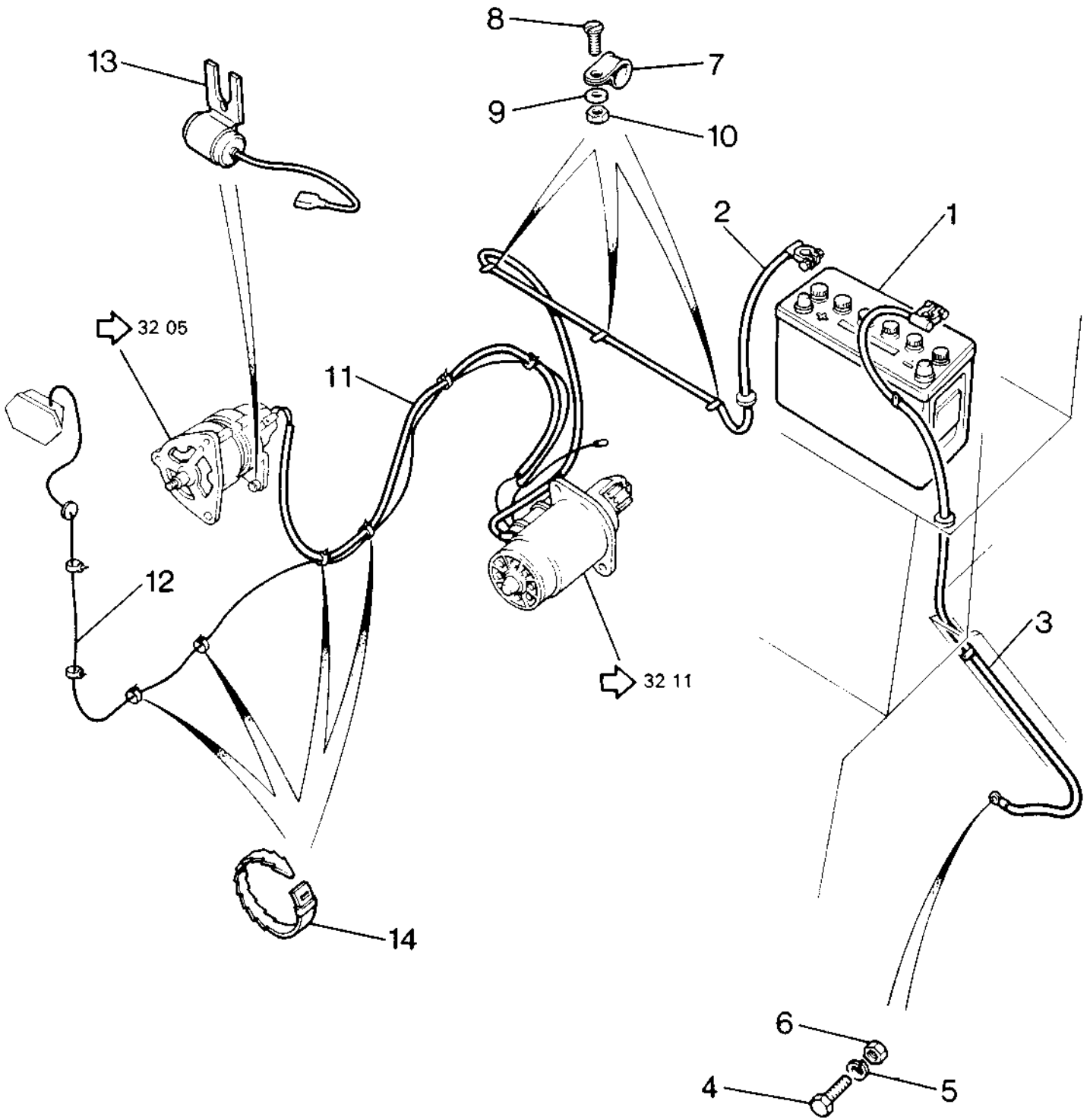


GENERAL ELECTRICAL EQUIPMENT, 12 Volt

Plate Ref.	1	2	3	4	DESCRIPTION	Qty	Part No.	REMARKS
1					Horn, mixo	1	623065	
2					Mounting bracket for horn	1	MRC1023	
3					Bolt (M6×16) } Fixing horn and bracket to radiator duct	2	SH106161	
4				Self-locking nut		2	810505	
5					Ignition coil	1	GCL111	
6					Bolt (M8×16) } Fixing coil	2	SH108161	
7				Plain washer		2	850847	
8				Spring washer		2	810024	
9				Nut (M8)		2	854011	
10					Ballast resistor	1	555863	
11					Cable clip	1	219676	
12					Cable coil to ballast resistor	1	579452	
13					Capacitor, coil	1	560578	
14					Fuse box	1	606256	
15					Fuse, 35 amp	1	GFS435	
16					Bolt (M5×25) } Fixing fuse box	2	880567	
17				Plain washer		2	WC105001	
18				Spring washer		2	WM105001	
19				Nut (M5)		2	854037	
20					Starter relay	1	589665	
21					Bolt (M5×12) } Fixing relay	2	SE105121	
22				Spring washer		2	WM105001	
23				Nut (M5)		2	854031	
24					Cold start cable complete	1	599324	RH Stg
					Cold start cable complete	1	90624126	LH Stg
25					Switch for cold start at cable	1	563318	
26					Switch for heater	1	555779	
27					Cable assembly switch to blower motor	1	623287	
28					Cable, blower motor to earth	1	623288	
29					Engine harness	1	90623123	RH Stg
					Engine harness	1	90623122	LH Stg
30					Cable, fuel tank to fuel pump	1	589550	
31					Lead, dropper unit link	1	589577*	
32					Lead, starter motor to earth	1	589471	
33					Bolt (M8×16) } Fixing earth lead	1	SH108161	
34				Spring washer		1	810024	
35				Plain washer		1	850847	
36				Nut (M8)		1	854011	
37					Cable clip	2	8885	
38					Cable clip	16	50639	
39					Cable clip	7	56666	
40					Cable clip	10	56667	
41					Cable clip	1	4170	
					Screw (M5×12)	17	SE105121	
					Screw (M5×14)	16	850847	
					Screw (M5×16)	2	SE105161	
					Plain washer	33	WC105001	
					Spring washer	6	WM105001	
					Nut (M5)	33	854031	
42					Cleat	4	240430	

* Asterisk indicates a new part which has not been used on any previous model.

ELECTRICAL—Battery and Leads, 12 Volt

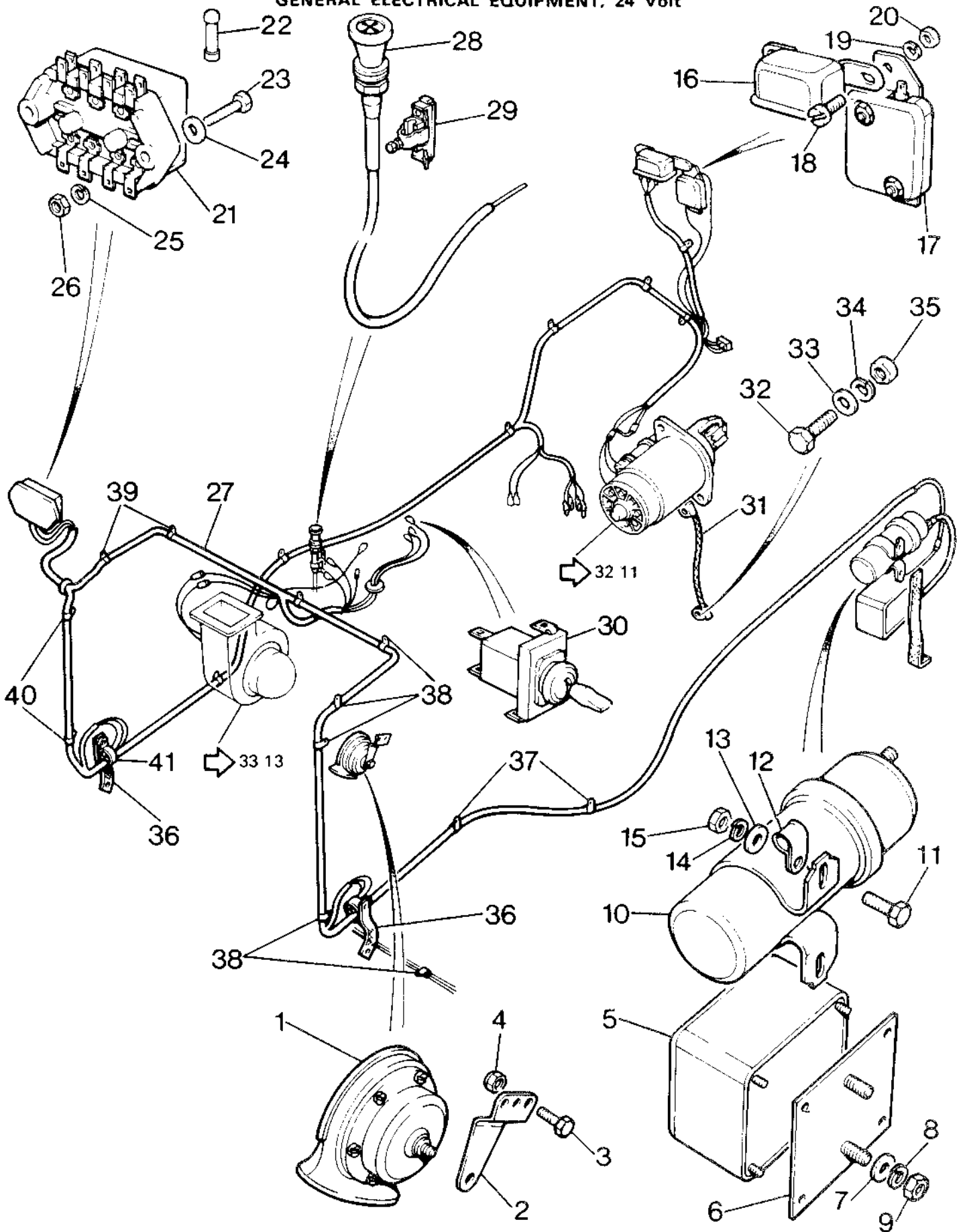


ELECTRICAL—Battery and Leads, 12 Volt

Plate	Ref.	1	2	3	4	DESCRIPTION	Qty	Part No.	REMARKS
	1					Battery	1	579378	
	2					Cable, battery to solenoid	1	589506	RH Stg
						Cable, battery to solenoid	1	589507	LH Stg
	3					Cable, battery to earth	1	PRC1154	
	4					Bolt (M8×16)	1	SH108161	
	5					Spring washer	1	810024	
	6					Nut (M8)	1	854011	
	7					Cable clip	3	50640	
	8					Bolt (M5×10)	3	888187	
	9					Plain washer	3	WC105001	
	10					Nut (M5)	3	854037	
	11					Cable, charging harness	1	623125	
	12					Lead, feed, starter solenoid to fuse box	1	589807	RH Stg
						Lead, feed, starter solenoid to fuse box	1	589808	LH Stg
	13					Capacitor, alternator	1	579356	
	14					Cleat	4	240430	

* Asterisk indicates a new part which has not been used on any previous model.

GENERAL ELECTRICAL EQUIPMENT, 24 Volt



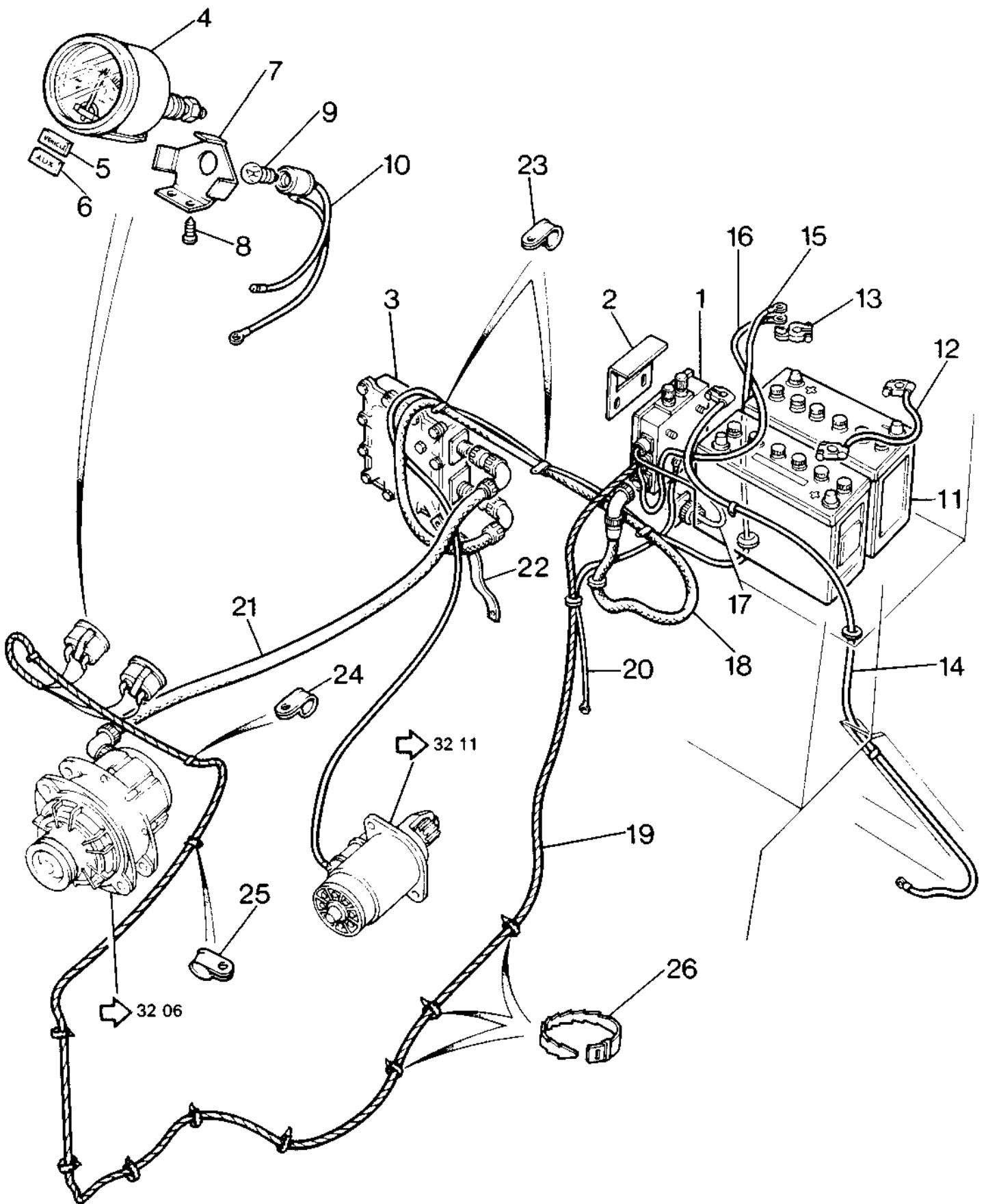
6RE 78

GENERAL ELECTRICAL EQUIPMENT, 24 Volt

Plate Ref.	1	2	3	4	DESCRIPTION	Qty	Part No.	REMARKS	
1					Horn, mixo	1	90623187		
2					Mounting bracket, horn	1	MRC1024		
3					Bolt (M6×16) } Fixing horn and bracket to radiator duct	2	SH106161		
4						Nut (M6)	2	810505	
5					Filter unit, ignition coil	1	552605		
6					Base plate, filter unit	1	589596		
7					Plain washer } Filter unit and base plate to LH side panel	2	850847		
8						Spring washer	2	810004	
9						Nut (M8)	2	NH108041	
10					Ignition coil	1	552765		
11					Bolt (M8×16) } Clip for harness } Fixing coil and clip	2	SH108161		
12						Clip for harness	1	219676	
13						Plain washer	2	850847	
14						Spring washer	2	810024	
15						Nut (M8)	2	854011	
16					Starter relay	1	589687		
17					Dropper unit for fuel pump	1	589469		
18					Screw (M5×12) } Spring washer } Fixing relay and dropper unit	4	880527		
19						Spring washer	4	WM105001	
20						Nut (M5)	4	854031	
21					Fuse box	1	606256		
22					Fuse, 35 amp	4	GFS435		
23					Bolt (M5×25) } Plain washer } Fixing fuse box	2	880567		
24						Plain washer	2	WC105001	
25						Spring washer	2	WM105001	
26						Nut (M5)	2	854037	
27					Engine harness	1	90623123	RH Stg	
					Engine harness	1	90623122	LH Stg	
					Cable, fuel tank to pump	1	589550*		
28					Cold start cable complete	1	599324	RH Stg	
					Cold start cable complete	1	90624126	LH Stg	
29					Switch for cold start at cable	1	563318		
30					Switch for heater	1	555779		
31					Lead, starter motor to earth	1	589471		
32					Bolt (M8×16) } Plain washer } Fixing earth lead	1	SH108161		
33						Plain washer	1	850847	
34						Spring washer	1	810024	
35						Nut (M8)	1	854011	
36					Bonding lead, front	2	551232		
37					Cable clip	2	8885		
38					Cable clip	16	50639		
39					Cable clip	7	56666		
40					Cable clip	10	56667		
41					Cable clip	2	4170		
					Screw (M5×12) } Screw (M5×14) } Screw (M5×16) } Fixing cable clips at various locations	17	880527		
						Screw (M5×12)	16	850847	
						Screw (M5×14)	2	880547	
						Plain washer	33	WC105001	
						Spring washer	6	WM105001	
						Nut	33	854031	

* Asterisk indicates a new part which has not been used on any previous model.

ELECTRICAL—Shunt Box, Generator Panel and Batteries, 24 Volt

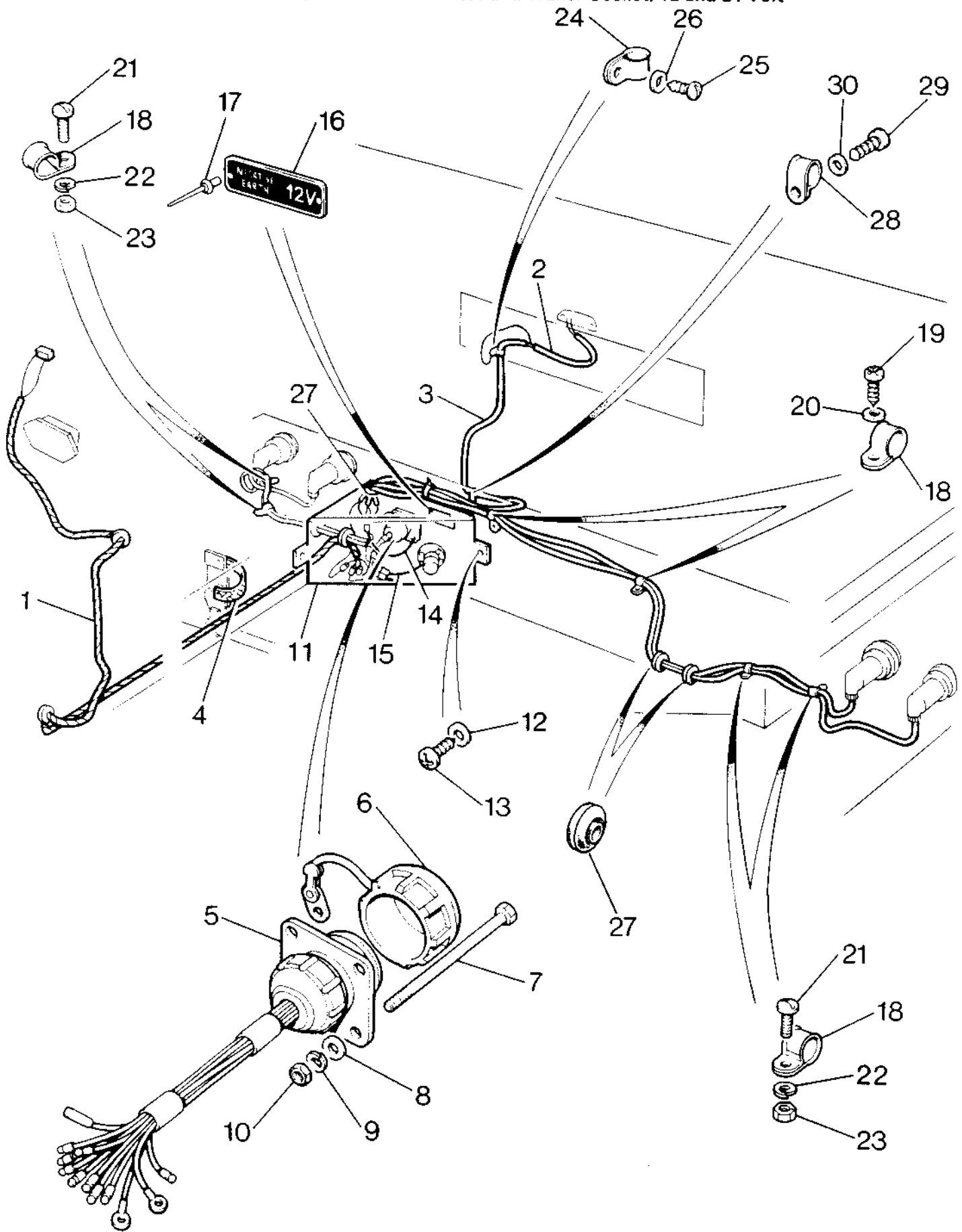


ELECTRICAL—Shunt Box, Generator Panel and Batteries, 24 Volt

Plate	Ref.	1	2	3	4	DESCRIPTION	Qty	Part No.	REMARKS
	1					Shunt box assembly	1	589172	
	2					Cover plate for terminals on shunt box	1	346211	
						Plain washer	4	851041	} Fixing shunt box
						Spring washer	4	810027	
						Nut (1/4" UNF)	4	254810	
	3					Generator panel	1	551601	
						Bolt (M6×35)	4	897271	} Fixing generator panel
						Bush	8	545145	
						Plain washer	4	3817	
						Nut (M6)	4	NH106041	
	4					Ammeter—vehicle	1	579306	
						Ammeter—auxiliary	1	579306	
	5					Label—'VEHICLE'	1	508493	
	6					Label—'AUXILIARY'	1	532747	
	7					Bulb holder—ammeter	1	589595	
	8					Drive screw (No. 6×1/2") fixing bulb holder	1	78001	
	9					Bulb for panel lights	5	GLB650	
	10					Cable for ammeter illumination	1	589501	
	11					Battery	2	589599	
	12					Cable, connecting batteries	1	560787	
	13					Battery lug clamp	1	531587	
	14					Cable, battery to earth	1	PRC1154	
	15					Cable, battery to solenoid switch	1	589809	RH Stg
						Cable, battery to solenoid switch	1	589810	LH Stg
	16					Cable, battery to shunt box	1	589543	
	17					Cable, battery to shunt box (radio)	1	90623127	
	18					Harness, shunt box to generator panel	1	589331	RH Stg
						Harness, shunt box to generator panel	1	589503	LH Stg
	19					Cable, shunt box to ammeter	1	589316	
	20					Cable, earth shunt box to gearbox	1	589643	RH Stg
						Cable, earth shunt box to generator panel	1	589643	} LH Stg
						Plain washer for earth lead	1	3931	
	21					Cable, generator to generator panel	1	589315	
	22					Bonding lead at generator panel	1	552631	
						Screw (M8×16)	1	SH108161	} Fixing bonding lead
						Plain washer	1	850847	
						Spring washer	1	810004	
						Nut (M8)	1	854011	
	23					Cable clip, shunt box to generator panel harness	3	4170	
						Bolt (M5×10)	3	888187	} Fixing cable clip
						Plain washer	3	WC105001	
						Nut (M5)	3	854031	
	24					Cable clip for ammeter cable	2	50639	
						Plain washer	2	WC105001	} Fixing cable clip
						Drive screw	2	78136	
	25					Cable clip	1	56666	
						Screw (M5×12)	1	880527	} Fixing clip to front upper panel
						Plain washer	1	WC105001	
						Nut (M5)	1	854031	
	26					Cleat, fixing cable	2	240430	

* Asterisk indicates a new part which has not been used on any previous model.

ELECTRICAL—Sidemember Harness and Trailer Socket, 12 and 24 Volt

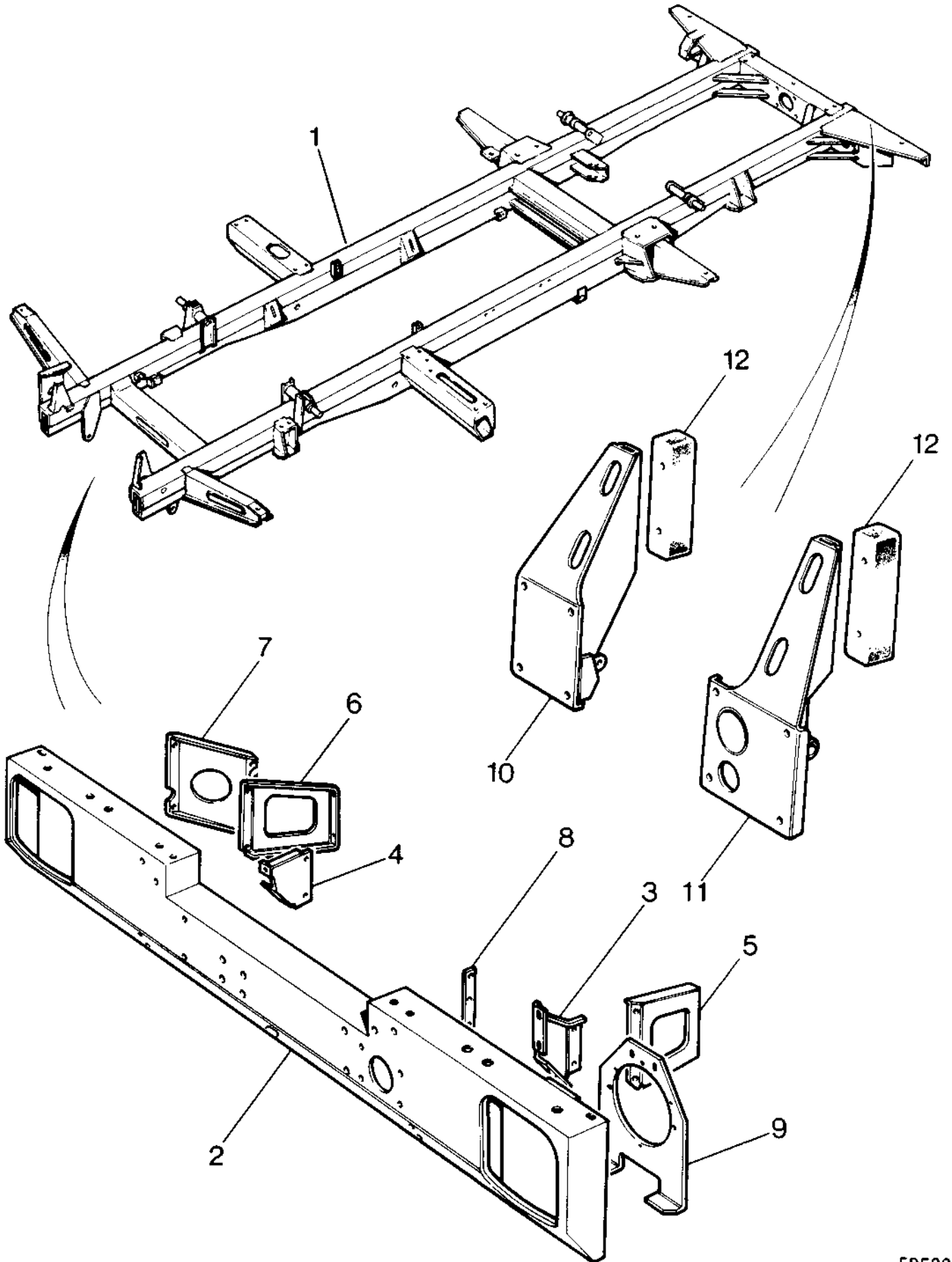


ELECTRICAL—Sidemember Harness and Trailer Socket, 12 and 24 Volt

Plate	DESCRIPTION				Qty	Part No.	REMARKS
Ref.	1	2	3	4			
1	Sidemember harness	1	589329*	
2	Extension lead, number plate lamp	1	589529*	
3	Cable, number plate lamp	1	579311*	
4	Bonding lead for tail pipe..	1	551232	
5	Trailer socket, 12-pin	1	589333*	
6	Protective cap for socket	1	560656	
7	Bolt (M6×120)				4	589495*	
8	Plain washer	} Fixing socket to			4	WB106041	
9	Spring washer	} rear crossmember			4	WA106041	
10	Nut (M6)				4	853055	
11	Terminal cover	1	589460*	
12	Plain washer	} Cover to rear			2	WC105001	
13	Drive screw	} crossmember			2	77789	
14	Earth lead, terminal box to chassis	1	586194	
15	Lead, convoy lamp	1	552772	
16	Warning plate, 12 volt negative earth	1	598702*	12 volt
	Warning plate, 24 volt negative earth	1	598701*	24 volt
17	Pop rivet, fixing warning plates	4	78257	
18	Cable clip, rear crossmember	6	56666	
19	Drive screw	} Fixing clip to			2	78136	
20	Plain washer	} rear crossmember			2	WC105001	
21	Screw (M5×12)	} Fixing cable clips			4	SE105121	
22	Spring washer	} to chassis			4	WC105001	
23	Nut (M5)				4	854037	
24	Cable clip	1	8885	
25	Drive screw	} Fixing clip			1	78136	
26	Plain washer	} to tailgate			1	WC105001	
27	Grommet at rear crossmember and terminal cover	5	236390	
28	Cable clip at rear crossmember	1	50639	
29	Drive screw	} Fixing clip to			1	78136	
30	Plain washer	} rear crossmember			1	WC105001	

* Asterisk indicates a new part which has not been used on any previous model.

CHASSIS FRAME—Front Bumper and Bumperettes



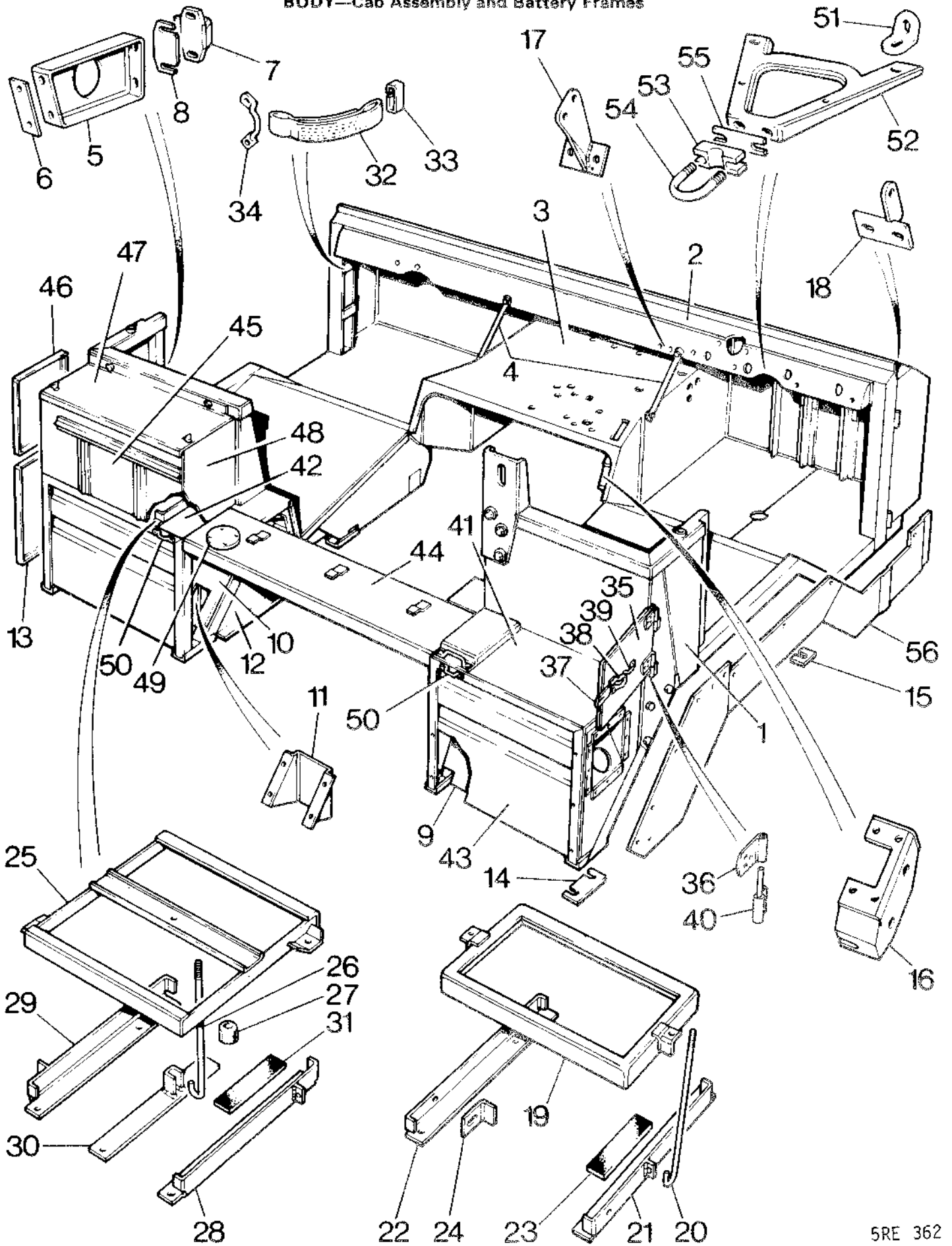
5RE224

CHASSIS FRAME—Front Bumper and Rear Bumperettes

Plate Ref.	1	2	3	4	DESCRIPTION	Qty	Part No.	REMARKS	
1					CHASSIS FRAME ASSEMBLY	1	595020*	RH Stg	
					CHASSIS FRAME ASSEMBLY	1	595019*	LH Stg	
2					Cross-member No. 1 (front bumper)	1	592844*		
3					Support and attachment bracket, LH, long	1	NRC1226*		
4					Support and attachment bracket, RH, short	1	NRC1228*		
5					Stiffener, front cross-member to outrigger LH	Cross-member No. 1 to chassis frame	1	592858*	RH Stg
6				Stiffener, front cross-member to outrigger RH	1		592859*	LH Stg	
7				Stiffener, front cross-member to steering mounting bracket, RH	1		592856*		
8					Packing piece, front cross-member to chassis ..	A/R	592861*		
					Bolt (M8×20) } Fixing No. 1	2	SH108201		
					Bolt (M8×100) } cross-member	4	897131		
					Spring washer } and brackets to	6	810004		
					Nut (M8) } chassis frame	6	NH108041		
					Bolt (M8×16) } Fixing supports	3	SH108161		
					Spring washer } and brackets to	3	810004		
					Nut (M8) } cross-member	3	NH108041		
					Bolt (M10×25) } Fixing supports	2	SH110251		
					Bolt (M10×16) } and brackets to	2	889631		
					Spring washer } cross-member	4	WM110001		
					Nut (M10) } No. 1	4	853037*		
9					Headlamp mounting plate	2	592855*		
					Bolt (M6×14) } Fixing headlamp	8	890075*		
					Plain washer } mounting plate	4	WA106041		
					Spring washer } to cross-member	8	WM106001		
					Nut (M6) } No. 1	8	853055*		
					Bolt (M8×16) } Fixing support	5	SH108161		
					Bolt (M8×25) } and attachment	2	SH108251		
					Plain washer } brackets to	3	850847		
					Spring washer } cross-member	7	810004		
					Nut (M10) } No. 1	7	853045		
					Bolt (M8×16) } Fixing stiffeners to	8	SH108161		
					Spring washer } cross-member No. 1 and	8	810004		
					Nut (M8) } chassis frame	8	853045		
10					Bumperette, RH	1	599288*		
11					Bumperette, LH	1	599289*		
					Bumperette, LH, required when 'Nokken winch' is fitted	1	NRC243		
12					Rubber buffer	2	594769*		
					Spring washer } Buffer to	4	810024		
					Bolt (M8×30) } bumperettes	4	897001*		
					Bolt, RH side (M10×50) } Bumperettes and	2	BH110108		
					Bolt, LH side (M10×55) } rear step to	4	BH110111		
					Washer } rear	8	598967*		
					Spring washer } cross-member	8	WL110001		
					Nut (M10) } cross-member	8	853037		
					Bolt, RH side (M10×55) } cross-member	2	BH110111		

* Asterisk indicates a new part which has not been used on any previous model.

BODY—Cab Assembly and Battery Frames

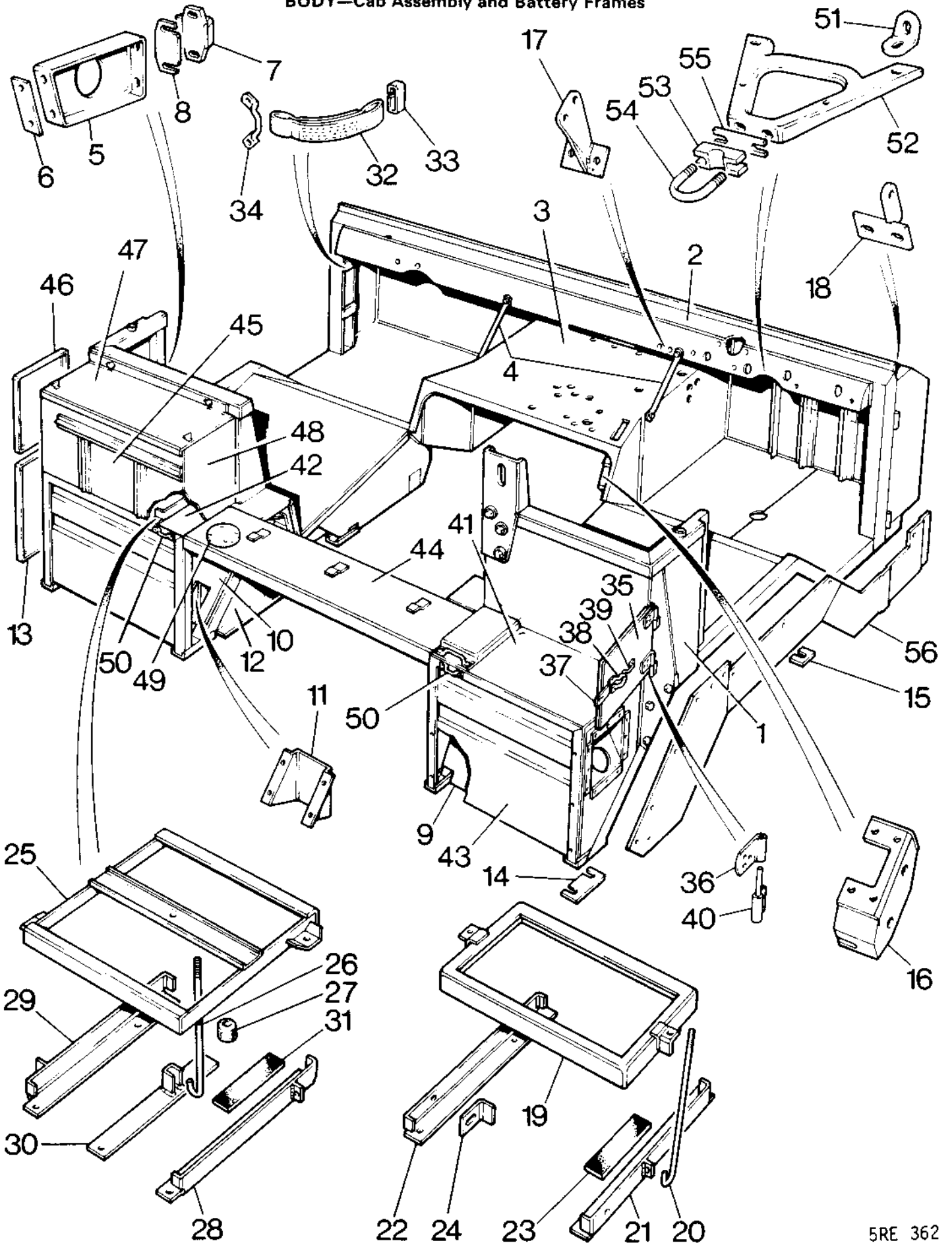


BODY—Cab Assembly and Battery Frames

Plate	Ref.	1	2	3	4	DESCRIPTION	Qty	Part No.	REMARKS
						CAB ASSEMBLY COMPLETE WITH DOORS	1	399300*	12 volt, RH Stg
						CAB ASSEMBLY COMPLETE WITH DOORS	1	399301*	12 volt, LH Stg
						CAB ASSEMBLY COMPLETE WITH DOORS	1	MRC2320*	24 volt, RH Stg
						CAB ASSEMBLY COMPLETE WITH DOORS	1	MRC2321*	24 volt, LH Stg
1						Cab side panel, RH	1	398780*	
						Cab side panel, LH	1	398781*	
						Screw (M6×12)	2	890067	
						Plain washer	2	WB106041	Side panel to side channel
						Spring washer	2	810005	
						Nut (M6)	2	NH106041	
						Pop rivet, panels to bulkhead support and sill channel	12	78410	
2						Front panel	1	90707023*	RH Stg
						Front panel	1	90707024*	LH Stg
3						Radiator duct assembly	1	90707046*	12 volt RH Stg
						Radiator duct assembly	1	90707047*	
						Radiator duct assembly	1	90707048*	24 volt RH Stg
						Radiator duct assembly	1	90707049*	
						Pop rivet, radiator duct to front panel	13	78410	
						Pop rivet, front panel to dash rail	3	78248	
4						Bracing tube, dash RH	1	399936*	
						Bracing tube, dash LH	1	399937*	
						Screw (M6×16)	2	SH106161	
						Plain washer	4	WB106041	Fixing bracing tube to dash rail
						Spring washer	2	810005	
						Nut (M6)	4	853051	
5						Reinforcing bracket, door striker RH	1	398642*	
						Reinforcing bracket, door striker LH	1	398643*	
6						Packing piece, striker reinforcing bracket	A/R	398721	
						Screw (M6×20)	4	SH106201	Brackets and packing to bulkheads
						Plain washer	4	WB106041	
						Spring washer	4	810005	
						Captive nut (M6)	4	811862	
7						Striker plate	2	333140	Vehicles with standard door locks
8						Packing piece, striker plate	A/R	347594	
						Screw (M6×25)	4	SH106251	
						Plain washer	8	WB106041	
						Spring washer	4	810005	
						Nut (M6)	4	NH106041	
						Striker plate, RH	1	395294	
						Striker plate, LH	1	395295	
						Screw (M6×25)	4	SH106251	
						Plain washer	8	WB106041	
						Spring washer	4	WL106001	Vehicles with anti-burst door locks
						Nut (M6)	4	NH106041	
						Packing shim for striker plates	6	395078	
						Protective pad, lock striker	2	MRC3224*	
						Washer plate	8	MRC3237*	
						Distance tube	4	244009	
						Screw (M6×30)	4	SP106301*	
						Plain washer	4	WB106041	
						Spring washer	4	WL106001	
						Nut (M6)	4	NH106041	

* Asterisk indicates a new part which has not been used on any previous model.

BODY—Cab Assembly and Battery Frames

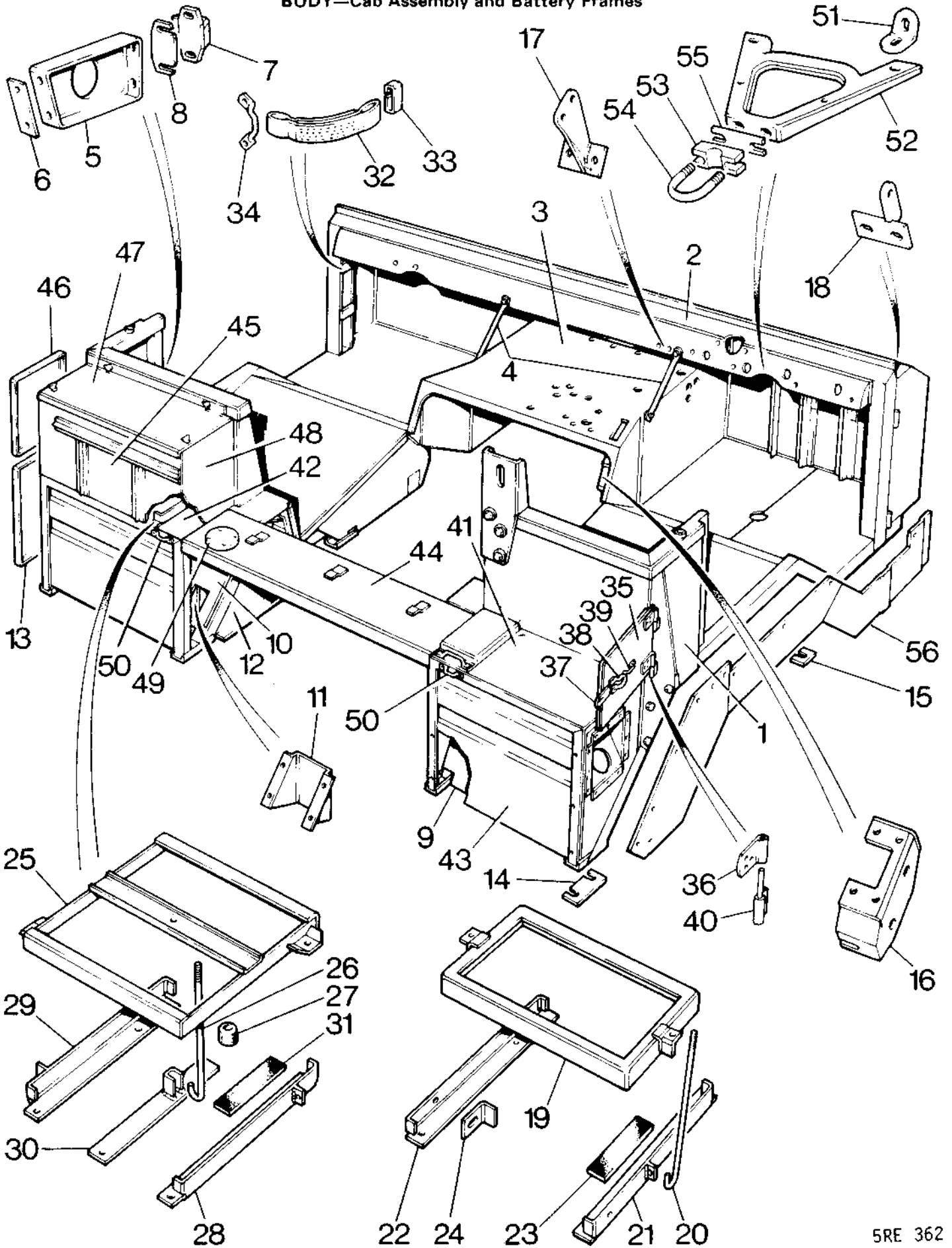


BODY—Cab Assembly and Battery Frames

Plate Ref.	1	2	3	4	DESCRIPTION	Qty	Part No.	REMARKS
9					Splash plate, RH	1	398740*	
					Screw (M6×16)	3	881387	
					Screw (M6×16)	4	SH106161	
					Plain washer	13	WB106041	
					Spring washer	6	810005	
					Captive nut	1	811948	
					Nut (M6)	6	NH106041	
10					Splash plate, LH	1	398741*	
					Pop rivet, fixing LH splash plate	10	78410	
11					Cover, air cleaner valve	1	398861*	
					Pop rivet, cover to splash plate	4	78410	
12					Access panel, valance RH	1	398865*	
					Access panel, valance LH	1	398866*	
					Access panel, valance LH	1	399035*	LH Stg when winch is fitted
					Fastener stud	6	399226*	
					Retaining washer	6	399221*	
13					Cover panel assembly, air cleaner	1	399019*	
					Fastener stud	1	399222*	
					Fastener stud	1	399225*	
					Retaining washer	1	399221*	
					Fastener receptacle, for access panel	6	399220*	
					Pop rivet receptacles to seat support channels	12	78867	
14					Shim, 14 swg	18	398491*	
					Shim, 14 swg	18	398492*	
15					Shim, 14 swg	A/R	MRC1726*	
16					Mounting bracket for hand brake	1	398840*	RH Stg
					Mounting bracket for hand brake	1	398841*	LH Stg
					Screw (M8×20)	4	SH108201	
					Plain washer	4	850817	
					Spring washer	4	810004	
					Nut (M8)	4	NH108041	
17					Mounting bracket for clutch and brake reservoir	1	398641*	
					Screw (M6×12)	2	890067*	
					Spring washer	2	810005	
					Nut (M6)	2	NH106041	
18					Mounting bracket, RH	1	399570*	
					Mounting bracket, LH	1	399571*	
					Screw (M8×25)	4	SH108251	
					Plain washer	4	850817	
					Spring washer	4	810004	
					Packing washer	4	850847*	
19					Clamping frame for battery	1	399494*	
20					'J' bolt for clamping frame	2	399214*	
					Plain washer	2	WB106041	
					Wing nut	2	811595	
21					Battery carrier, RH	1	398620*	
22					Battery carrier, LH	1	398621*	
23					Pad for battery support	2	MRC1584*	
					Screw (M6×16)	6	888021*	
					Plain washer	6	851041	
					Spring washer	6	810005	
					Nut (M6)	6	854021*	

* Asterisk indicates a new part which has not been used on any previous model.

BODY—Cab Assembly and Battery Frames

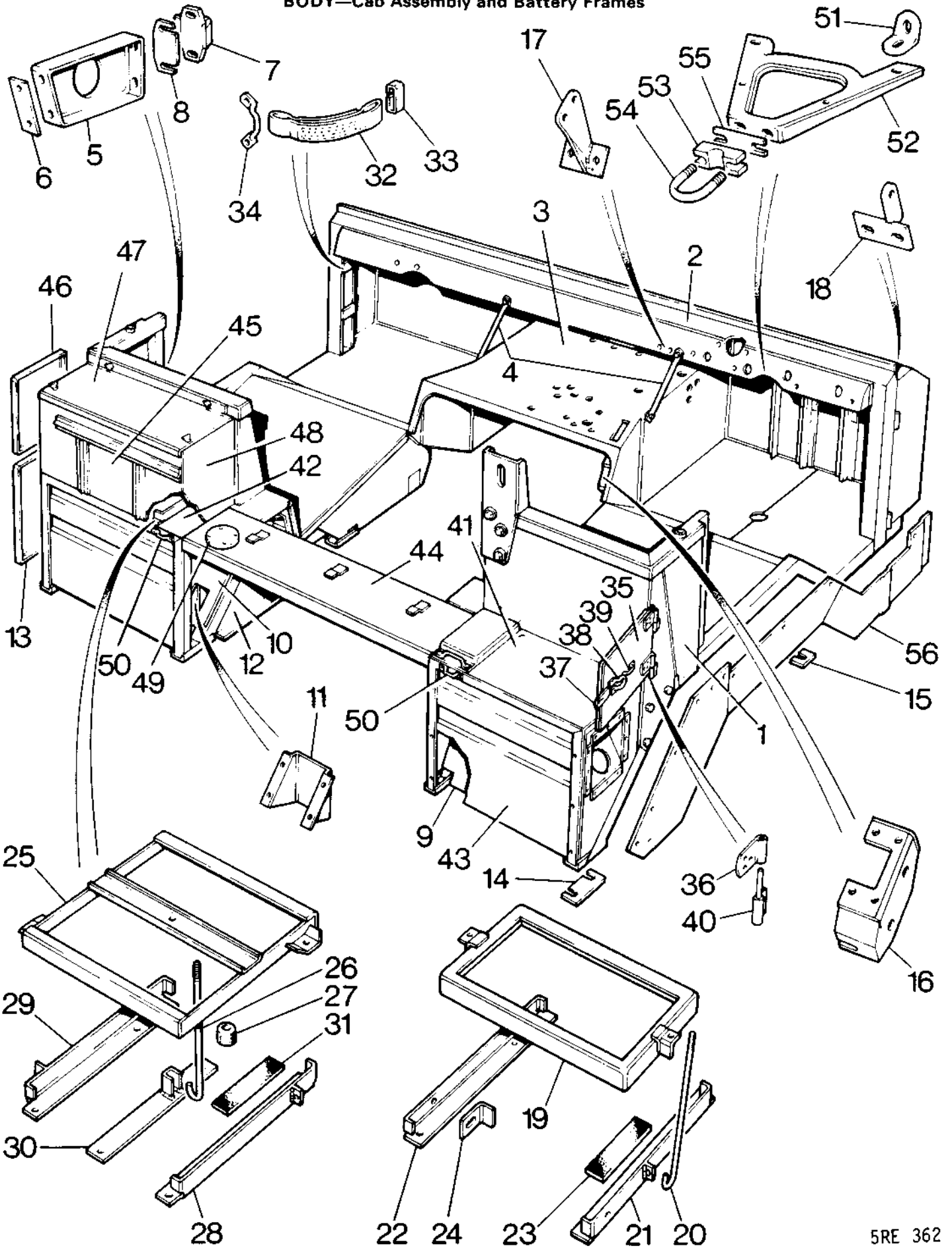


BODY—Cab Assembly and Battery Frames

Plate Ref.	1	2	3	4	DESCRIPTION	Qty	Part No.	REMARKS
24					Adjustable stop	2	399216*	} 12 volt vehicles
					Bolt (M6×16)	2	SH106161	
					Plain washer	2	851007*	
					Spring washer	2	810005	
					Nut (M6)	2	NH106041	
25					Clamping frame for battery	1	MRC1664*	} 24 volt vehicles
26					'J' bolt for clamping frame	3	399214*	
27					Buffer for 'J' bolt	1	306471	
					Plain washer	1	WB106041	
					Wing nut (M6)	1	811595	
28					Battery carrier, RH	1	MRC344*	
29					Battery carrier, LH	1	MRC345*	
30					Battery carrier, centre fixing	1	MRC348*	
31					Pad for battery support	4	MRC1584*	
					Screw (M6×16)	8	888021	
					Plain washer	8	851041	} Fixing battery carrier to support frame
					Spring washer	8	810005	
					Nut (M6)	8	854021	
32					Check strap for front doors	2	398776*	
33					Retainer for check strap	2	398777*	
34					Cleat for check strap	2	399543*	
35					DOOR FOR SPARE WHEEL ACCESS	1	399257*	
36					Hinge, female half	2	399319*	
37					Locking plate	1	399263*	
38					Rope, hook	1	345699	
39					Staple	1	395143	
					Pop rivet	13	78410	
40					Male hinge	2	399253*	RH Stg
					Male hinge	2	399254*	LH Stg
					Pop rivet, hinge to bulkhead support	4	78410	
					Turnbuckle, fastening door	1	334525	
					Pop rivet, fastening turnbuckle	2	78410	
					Staple	2	395143	
					Rope hook	1	345699	
					Stop bracket	1	399597*	
					Pop rivet, bracket to bulkhead support	2	78410	
					Pop rivet, staple and hook to near side panel	6	78410	
					Screw (M8×25)	2	SH108301	} Fixing front unit to chassis frame
					Screw (M10×30)	16	889667	
					Plain washer	28	WD110061	
					Plain washer	8	WB108051	
					Spring washer	16	810003	
					Spring washer	4	810004	
					Nut (M8)	4	853047	
					Nut (M10)	14	853037	
41					Top panel, RH, spare wheel support frame	1	398800*	} RH Stg
					Top panel, LH, battery support frame	1	MRC357*	
42					Top panel, RH, spare wheel support frame	1	398801*	} LH Stg
					Top panel, LH, battery support frame	1	MRC356*	

* Asterisk indicates a new part which has not been used on any previous model.

BODY—Cab Assembly and Battery Frames

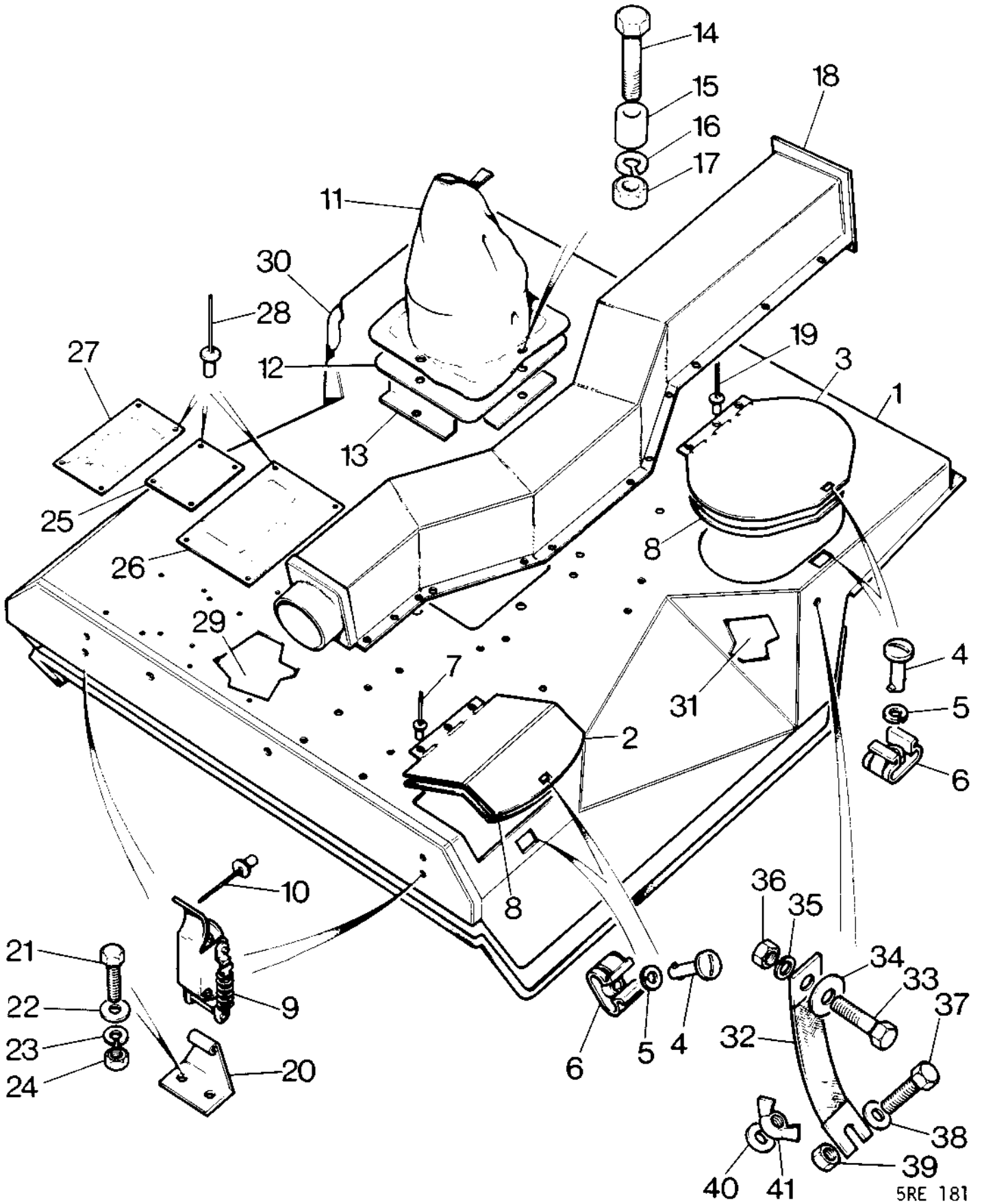


BODY—Cab Assembly and Battery Frames

Plate Ref.	1	2	3	4	DESCRIPTION	Qty	Part No.	REMARKS
43					Rear panel	2	398805*	12 volt
					Rear panel, RH	1	398804*	} 24 volt
					Rear panel, LH	1	398805*	
					Pop rivet fixing panels	26	78410	
					Rivet	16	79277	
					Collar for rivet	16	79289*	
					Screw (M6×12)	2	890067*	
					Plain washer	2	WB106041	
					Spring washer	2	810008*	
					Nut (M6)	2	NH106041	
44					Top centre panel	1	399866*	
					Back panel	1	398854*	RH Stg
45					Back panel	1	398853*	LH Stg
46					Outer side panel	1	399318*	RH Stg
					Outer side panel	1	399317*	LH Stg
47					Top panel	1	398847*	
48					Inner side panel	1	398852*	RH Stg
					Inner side panel	1	398851*	LH Stg
					Inner side panel	1	399614*	RH Stg
					Inner side panel	1	399613*	LH Stg
					Camloc fastener stud	4	399225*	
					Retaining washer	4	399221*	
					Fastener	2	399223*	
					Fastener	2	399224*	
					Receptacle	4	399220*	
					Retaining washer	4	399221*	
49					Cover plate	1	MRC1604*	
					Drive screw, fixing plate	4	78140	
50					Staple, fume curtain fixing	2	395143	
					Drive screw (No. 6×½")	9	77704	} Back panels to side panels
					Spire nut	9	79049	
					Pop rivet, cover to frame and bulkhead	16	78410	
51					Fixing angle, steering column bracket	2	399065*	
					Bolt (M6×12)	2	890067*	
					Plain washer	2	WB106041	
					Spring washer	2	810025	
					Nut (M6)	2	NH106041	
52					Bracket for steering column mounting	1	399573*	
					Bolt (M6×12)	4	890067*	
					Plain washer	8	WB106041	
					Spring washer	4	810025	
					Nut (M6)	4	NH106041	
53					Saddle clip	1	398809*	
54					'U' bolt for clip	1	398810*	
55					Stiffening plate	1	398864*	
					Plain washer	2	850817	
					Spring washer	2	810024	
					Nut (M8)	2	NH108041	
56					Wheel arch spat, RH	1	MRC1537*	
					Wheel arch spat, LH	1	MRC1538*	
					Set screw (M6×16)	13	SH106161	
					Spring washer	13	810005	
					Plain washer	13	851031	
					Nut (M6)	13	NH106041	
					Bridge plate (self-adhesive label on front panel)	1	MRC1710*	

* Asterisk indicates a new part which has not been used on any previous model.

BODY—Engine Cover



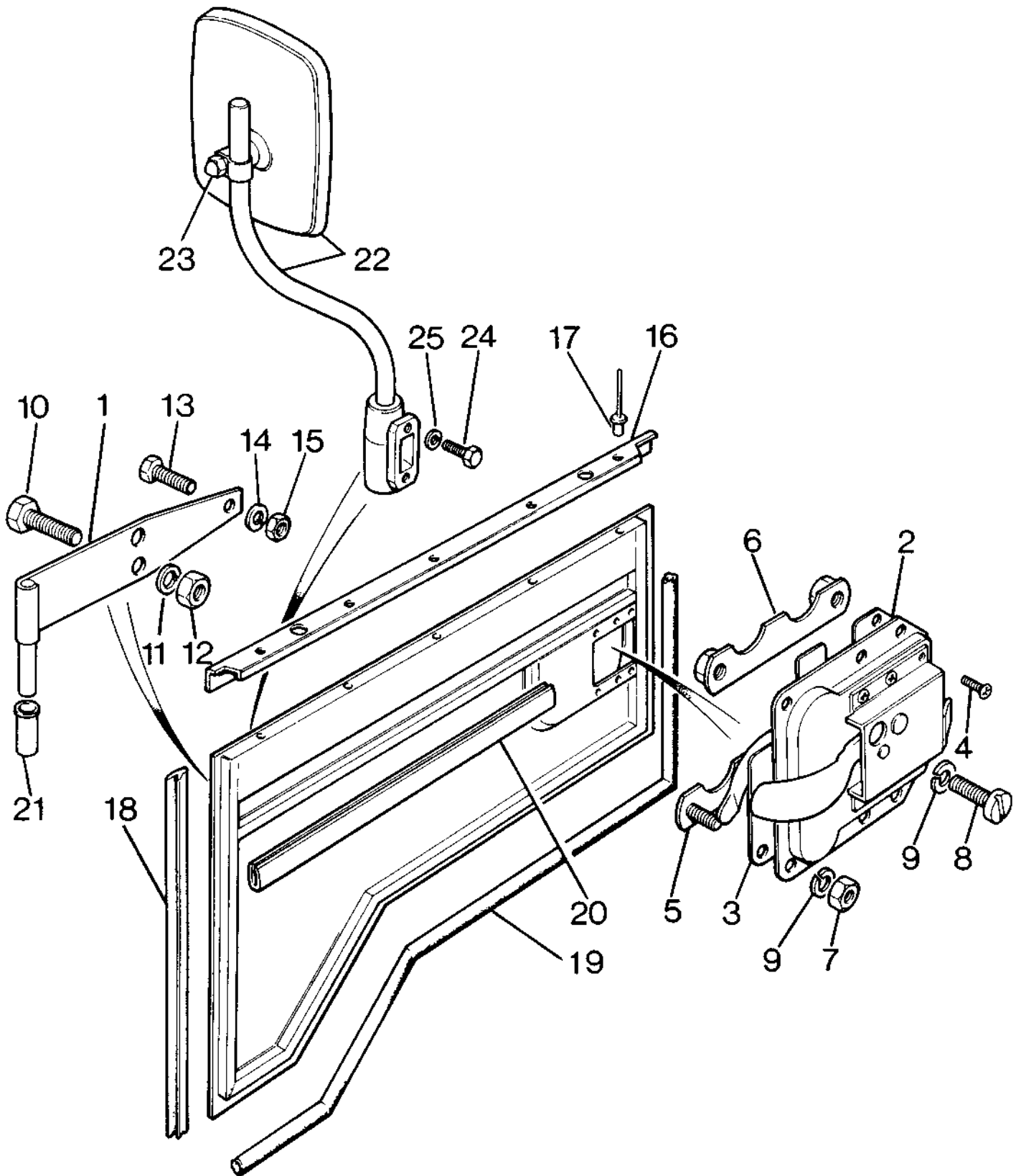
5RE 181

BODY—Engine Cover

Plate Ref.	1	2	3	4	DESCRIPTION	Qty	Part No.	REMARKS	
1					ENGINE COVER ASSEMBLY	1	MRC2291*	RH Stg	
					ENGINE COVER ASSEMBLY	1	MRC2292*	LH Stg	
2					Lid, radiator cap access	1	399838*		
3					Lid, oil filler access	1	399840*		
4					Fastener } For radiator and oil Washer } filler access lids	2	399234*		
5						2	399235*		
6					Receptacle, fitted to engine cover for lid fastener ..	2	399236*		
7					Pop rivet, lids to engine cover	6	78257		
8					Seal for lids	A/R	92575*		
9					Front latch	2	90707018*		
10					Pop rivet, latch to engine cover	4	78257		
11					Seal for gearchange lever	1	399711*		
12					Base plate for seal	2	399712*		
13					Stiffener	4	MRC395		
14					Bolt (M5×30) } Spacer } Spring washer } Gearchange seal to engine cover Nut (M5) }	4	890341		
15						4	572925		
16						4	810006		
17						4	NH105041		
18					Heater duct	1	399860*	RH Stg	
					Heater duct	1	399861*	LH Stg	
19					Pop rivet, duct to engine cover	21	78257		
20					Front strike for engine cover	2	707015*		
21					Screw (M4×10) hex. hd. } Plain washer } Spring washer } Fixing strike to Nut (M4) } radiator tunnel	4	890501		
22						4	WA104001		
23						4	810007		
24						4	NH104041		
25					Warning plate, disconnected battery	1	396116*		
26					Instruction plate, differential lock	1	399665*		
27					Warning plate, trailer drive	1	MRC1744*		
28					Pop rivet, fixing plates to engine cover	12	78257		
29					Engine cover insulation, main body	1	MRC30*		
30					Engine cover insulation, side piece, RH	1	MRC28*		
31					Engine cover insulation, side piece, LH	1	MRC29*		
32					Bonding lead	4	623126*	} 24 volt	
33					Bolt (M5×14) } Plain washer } Spring washer } Fixing bonding lead to engine Nut (M5) } cover	4	890312		
34						8	851252		
35						4	810006		
36						4	NH105041		
37					Screw (M5×20) } Plain washer } Nut (M5) } Plain washer } Wing nut (M5) } Fixing bonding lead to body	4	890341		
38						4	851202		
39						4	NH105041		
40						8	851252		
41						4	811586		

* Asterisk indicates a new part which has not been used on any previous model.

BODY—Front Doors



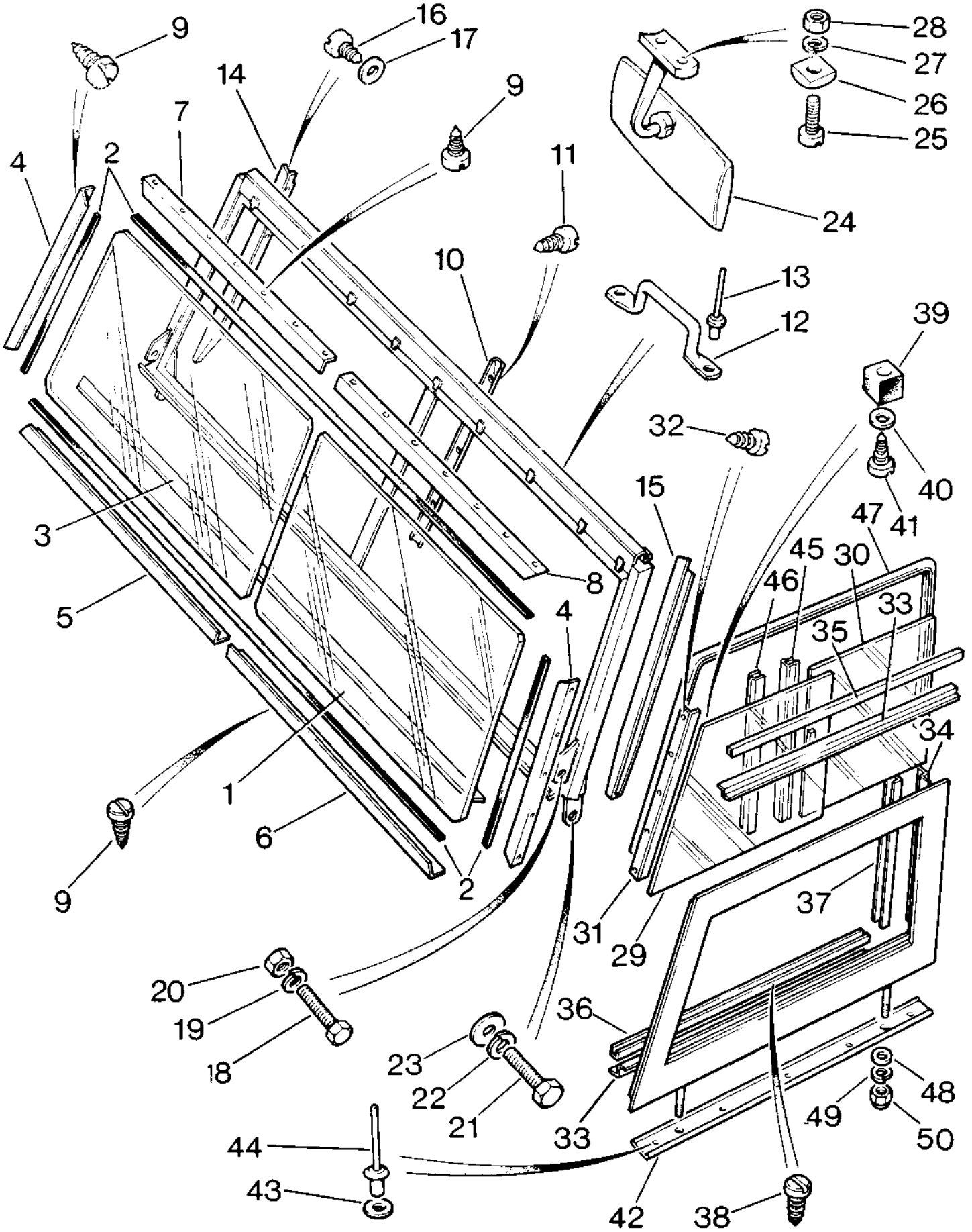
5RE229

BODY—Front Doors

Plate Ref.	1	2	3	4	DESCRIPTION	Qty	Part No.	REMARKS
					FRONT DOOR ASSEMBLY, RH	1	398761*	} Vehicles with standard door locks
					FRONT DOOR ASSEMBLY, LH	1	398762*	
					FRONT DOOR ASSEMBLY, RH	1	MRC3977*	} Vehicles with anti-burst door locks
					FRONT DOOR ASSEMBLY, LH	1	MRC3978*	
1					Hinge complete, RH	2	398963*	
					Hinge complete, LH	2	398964*	
2					Door lock, RH	1	345433	
					Door lock, LH	1	345434	
3					Lock seal	2	395541	} Vehicles with standard door locks
4					Drive screw, lock to door	4	77903	
5					Screw retainer } For door	2	337806	
6					Nut retainer } lock	2	345498	
7					Nut (1/2" UNF)	4	254810	} Lock to door lock cover
8					Screw (1/4" UNF x 1/2" bdg.hd.)	4	78792	
9					Spring washer	8	WM600041	
10					Bolt (M7x50)	8	BH108101*	} Vehicles with standard door locks
11					Spring washer	8	810004	
12					Nut (M8)	8	853047*	
13					Bolt (M6x16)	4	890087	
14					Spring washer	4	810005	
15					Nut (M6)	4	853057	} Vehicles with anti-burst door locks
					Bolt (M8x50)	8	BH108101	
					Spring washer	8	WL108001	
					Nut (M8)	8	NH108041	
					Screw (M6x16)	4	SH106161	
					Spring washer	4	WL106001	
					Nut (M6)	4	NH106041	
16					Top capping, front door, RH	1	398975*	
					Top capping, front door, LH	1	398976*	
17					Pop rivet, capping to door	10	78248	
18					Seal, door lower front	2	398996*	
19					Seal, door lower, rear and bottom, RH	1	398997*	
					Seal, door lower, rear and bottom, LH	1	398998*	
20					Beading strip, front door	2	399518*	
21					Bush for door hinges	4	335741	
22					MIRROR AND ARM ASSEMBLY	2	NRC1160	
23					Mirror head	2	RTC1528	
24					Bolt (1/2" UNF x 1 1/2")	4	256205	} Fixing mirrors to doors
25					Spring washer	4	WM600041	

* Asterisk indicates a new part which has not been used on any previous model.

BODY—Windscreen and Sidescreens



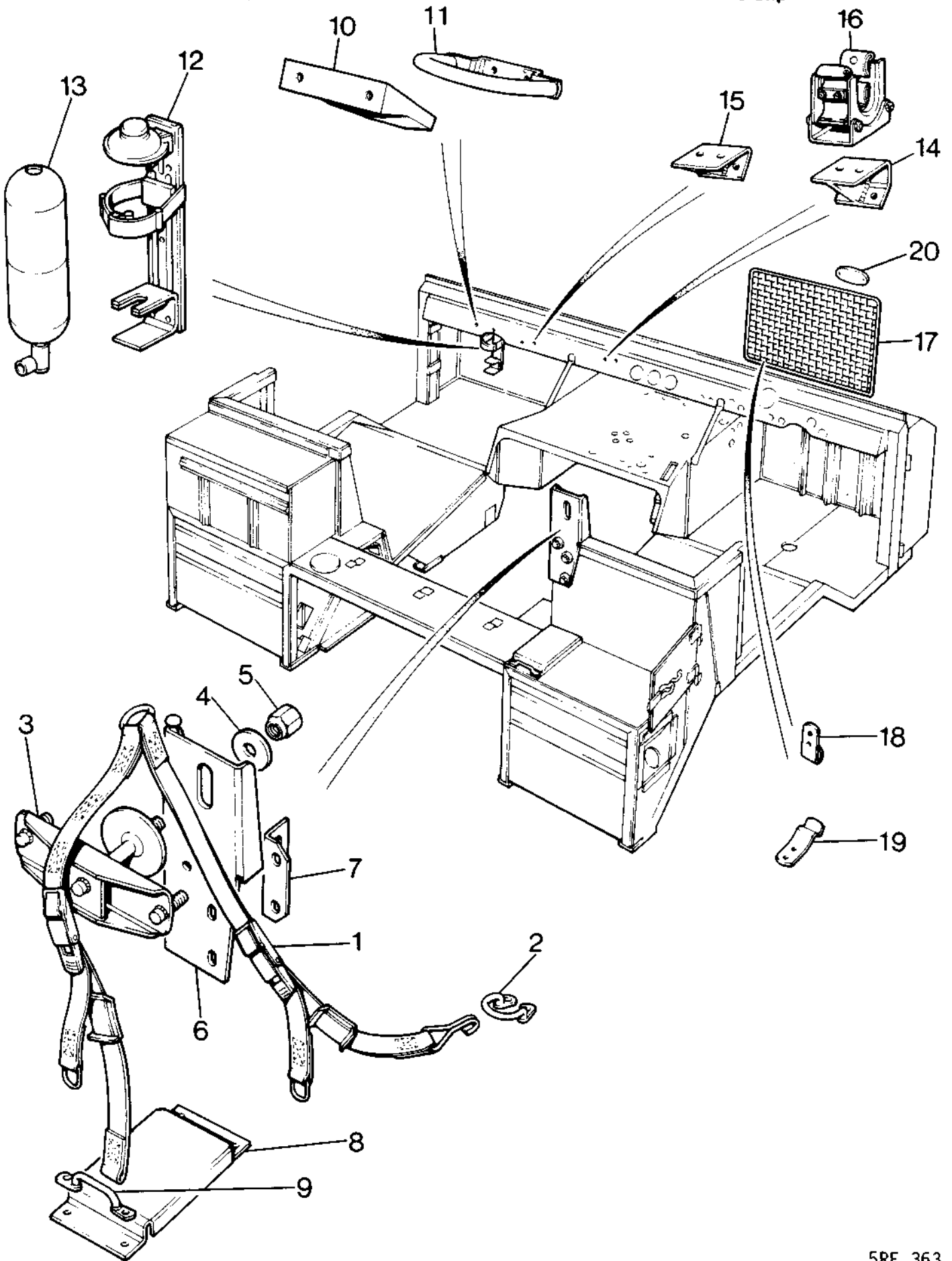
5RE150

BODY—Windscreen and Sidescreens

Plate Ref.	1	2	3	4	DESCRIPTION	Qty	Part No.	REMARKS
					WINDSCREEN COMPLETE ASSEMBLY	1 399569*
1					Glass for windscreen	2 398898*
2					Glazing strip (14 ft)	..	A/R	78159
3					Seal, windscreen to dash rail	1 399773*
4					Retainer, vertical	2 398899*
5					Retainer, RH bottom	1 398900*
6					Retainer, LH bottom	1 398901*
7					Retainer, RH top	1 398902*
8					Retainer, LH top	1 398903*
9					Drive screw (No. 4 × 3/8") fixing retainers to frame	..	38	78126
10					Centre strip cover	1 398910*
11					Drive screw (No. 4 × 3/8") fixing cover to frame	..	6	78126
12					Staple for hood strap	2 395143*
13					Pop rivet, staple to canopy rail	4 78628
14					Drain channel, RH	1 399217*
15					Drain channel, LH	1 399218*
16					Drive screw (No. 4 × 3/8")	..	8	78126
17					Plain washer	..	8	4887
18					Screw (M10×20)	..	2	889647*
19					Spring washer	..	2	810003
20					Nut (M10)	..	2	853037
21					Screw (M10×16)	..	2	889637
22					Spring washer	..	2	810003
23					Plain washer	..	2	WC110061
24					Interior mirror	1 345188
25					Screw (2 BA × 1/2")	..	2	312712
26					Packing washer	..	2	RTC612
27					Spring washer	..	2	WM702001
28					Nut (2 BA)	..	2	RTC608
					SIDE SCREEN ASSEMBLY, RH	1 398815*
					SIDE SCREEN ASSEMBLY, LH	1 398816*
29					Glass, fixed	2 398755*
30					Glass, sliding	2 398993*
31					Retainer, for fixed window	2 398957*
32					Drive screw (No. 6 × 3/8") fixing retainer to frame	..	10	78140
33					Filler, top and bottom, sidescreen	4 399115*
34					Filler, rear, sidescreen	2 399116*
35					Channel, top	2 399118*
36					Channel, bottom	2 399117*
37					Channel, rear	2 399119*
38					Drive screw (No. 6 × 1/2") fixing channels to frame	..	26	77707
39					Buffer for sliding window	2 330162
40					Plain washer	2 4592
41					Drive screw (No. 6 × 7/8")	..	2	78160
42					Sealing strip	2 398758*
43					Plain washer	..	10	3912
44					Pop rivet	..	10	78248
45					Sealing rubber for sliding glass	2 399121*
46					Channel for sealing rubber	2 399120*
47					Seal for sidescreen LH	1 398757*
					Seal for sidescreen RH	1 398756*
48					Plain washer	4 3843
49					Spring washer	4 WM600071
50					Nut (7/8" UNF)	4 254813

* Asterisk indicates a new part which has not been used on any previous model.

BODY—Spare Wheel Mountings, Fire Extinguisher and Small Arms Clip

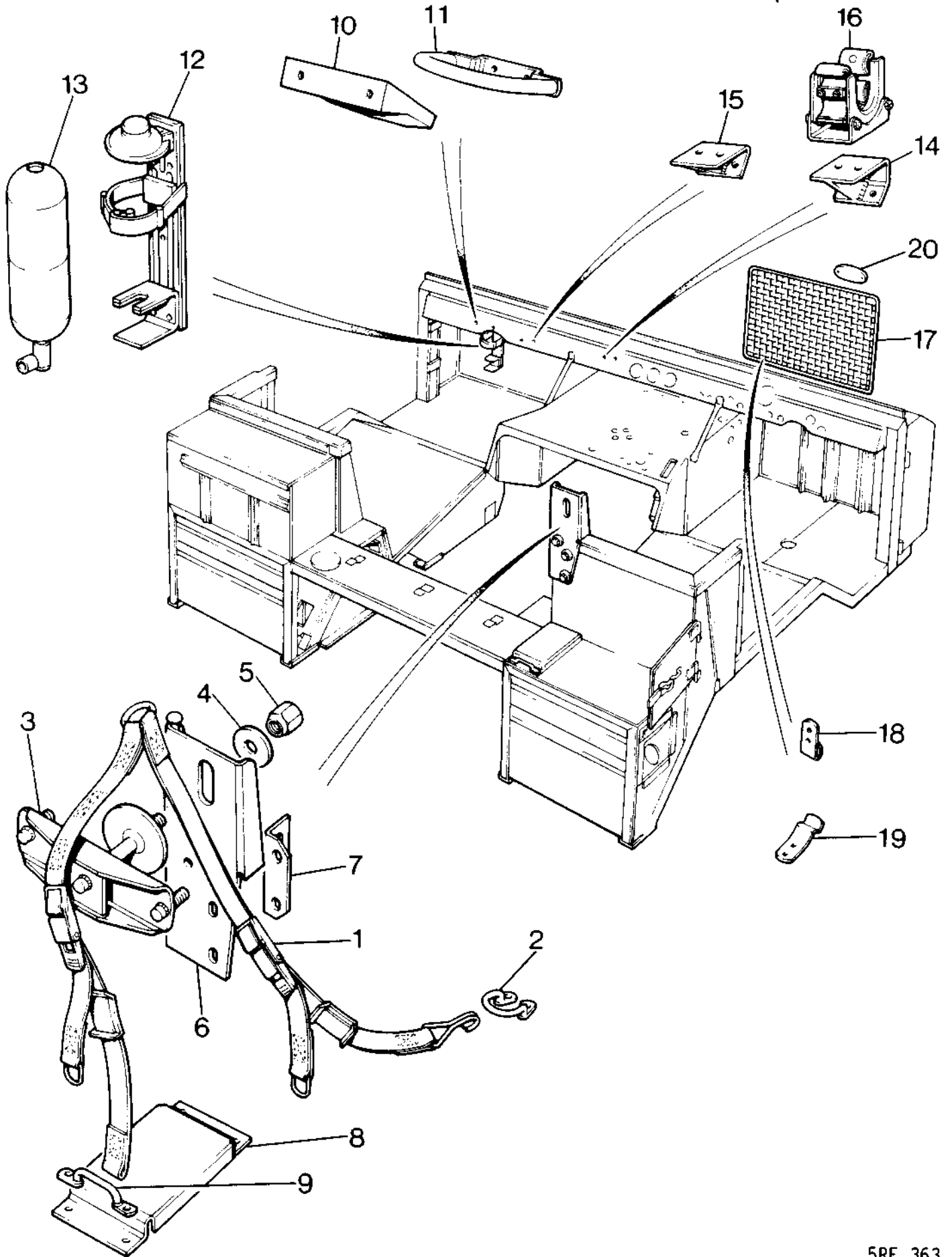


BODY—Spare Wheel Mountings, Fire Extinguisher and Small Arms Clip

Plate Ref.	1	2	3	4	DESCRIPTION	Qty	Part No.	REMARKS
1					Strap assembly, spare wheel mounting	1	MRC1294*	
2					Hook for strap, spare wheel mounting	1	345699	
					Screw (M5×16)	2	SH105161	
					Plain washer	2	851201	
					Spring washer	2	WM105001	
					Nut (M5)	2	NH105041	
					} Hook to body			
3					Retainer for spare wheel	1	398713*	
4					Washer	1	398718*	
5					Wheel nut	1	90577473	
					} Fixing spare wheel			
6					Spare wheel mounting bracket assembly	1	399845* RH stg	
					Spare wheel mounting bracket assembly	1	399846* LH stg	
					Screw (M8×20)	2	SH108201	
					Plain washer	2	850841	
					Spring washer	2	810004	
					Nut (M8)	1	NH108041	
					Bolt (M8×70)	2	897081	
					Plain washer	4	850841	
					Spring washer	2	810004	
					Nut (M8)	2	NH108041	
					} Bracket to bulkhead support			
7					Angle bracket	1	399850*	
					Screw (M8×20)	2	SH108201	
					Spring washer	2	810004	
					Plain washer	4	NH108041	
					Nut (M8)	2	853041	
					} Fixing angle bracket to mounting bracket			
8					Spare wheel support	1	MRC214*	
9					Staple (bonnet)	1	335772	
					Screw (M5×16)	4	SH105161	
					Plain washer	4	WC105001	
					Spring washer	4	WM105001	
					Nut (M5)	4	NH105041	
					} Fixing support to support frame			
10					Bracket for windscreen wiper motor	1	398827*	
					Screw (M6×16)	2	890087*	
					Spring washer	2	810005	
					Plain washer	2	WB106041	
					} Fixing wiper motor bracket to dash rail			
11					Grab handle	1	346399	
					Screw (M6×16)	1	SH106161	
					Plain washer	2	WB106041	
					Spring washer	1	810005	
					Nut (M6)	1	853051	
					Plug for holes in dash rail	A/R	338028	
					} Grab handle to dash rail			
12					Bracket for fire extinguisher	2	90552974	
					Bracket for fire extinguisher	2	347563	B.A.C. vehicles
13					Fire extinguisher	2	90552973	
					Fire extinguisher	2	347562	B.A.C. vehicles
					Screw (M5×14) cheese head	5	879251	
					Plain washer	5	WA105001	B.A.C. vehicles
					Spring washer	5	WM105001	
					Nut (M5)	5	NH105041	
					Pop rivet	3	78248	
					Pop rivet	2	78410	
					} External bracket to front panel			
					} Interior bracket to front panel			
14					Mounting bracket inner	1	595493	

* Asterisk indicates a new part which has not been used on any previous model.

BODY—Spare Wheel Mountings, Fire Extinguisher and Small Arms Clip

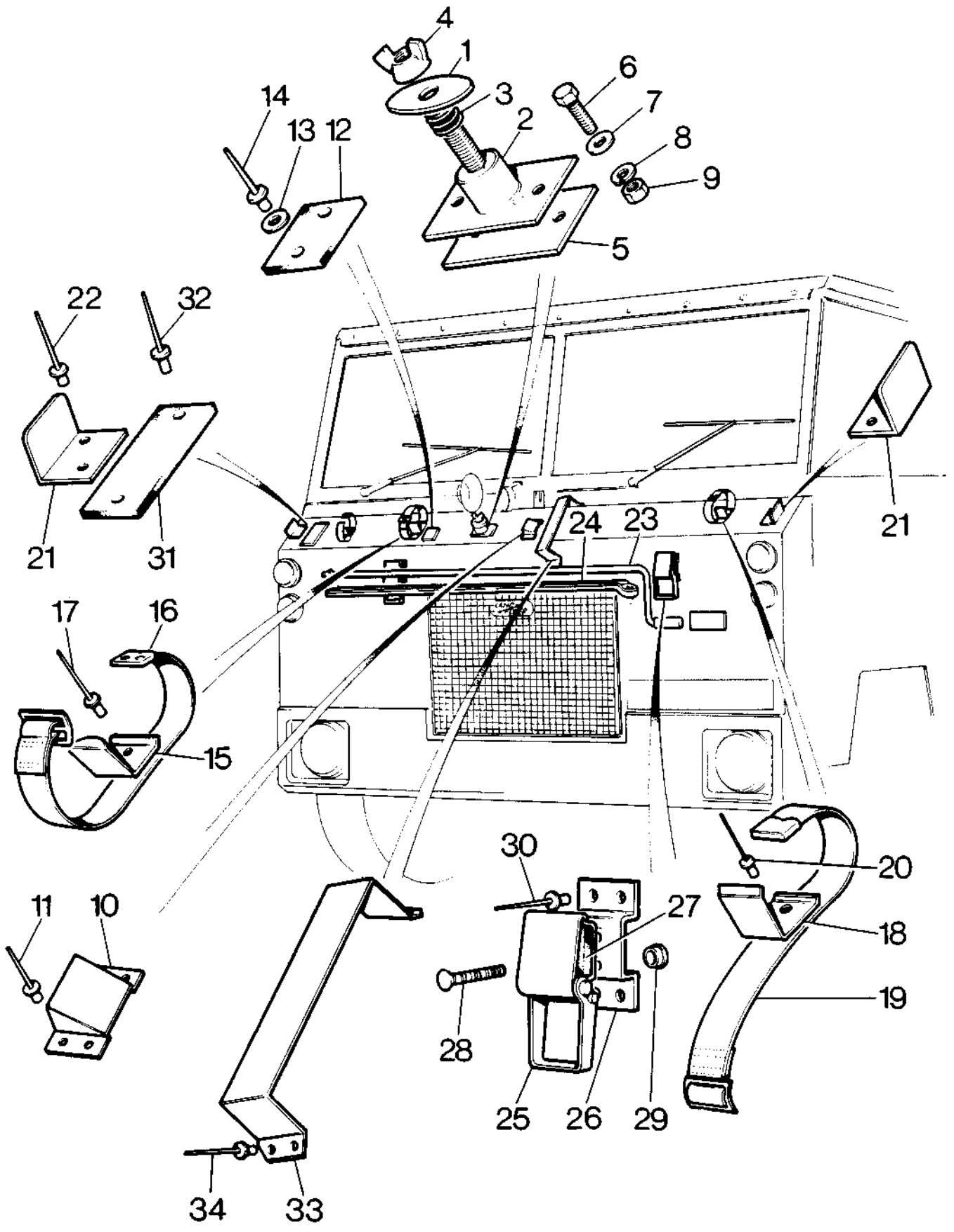


BODY—Spare Wheel Mountings, Fire Extinguisher and Small Arms Clip

Plate								
Ref.	1	2	3	4	DESCRIPTION	Qty	Part No.	REMARKS
15					Mounting bracket outer	1	595496	
					Screw (M4×10) }	4	879411	
					Plain washer } Fixing brackets	4	851301	
					Spring washer } to dash rail	4	810007	
					Nut (M4) .. }	4	853071	
16					Universal small arms clip	2	348943	
					Screw (M4×10) }	4	879411	
					Spring washer } Clips to bracket	4	810007	
					Nut (M4) .. }	4	853071	
17					Radiator grille mesh	1	399247*	
18					Hook retaining mesh	2	399248*	
19					Clip retaining mesh	2	399249*	
					Pop rivet clip to chassis frame	4	78410	
					Pop rivet hook to cab	4	78410	
20					Land-Rover nameplate	1	332670	
					Pop rivet } Nameplate to front	2	78248	
					Clip } grille	2	545883	

* Asterisk indicates a new part which has not been used on any previous model.

BODY—Tool Stowage, Cab Front Panel



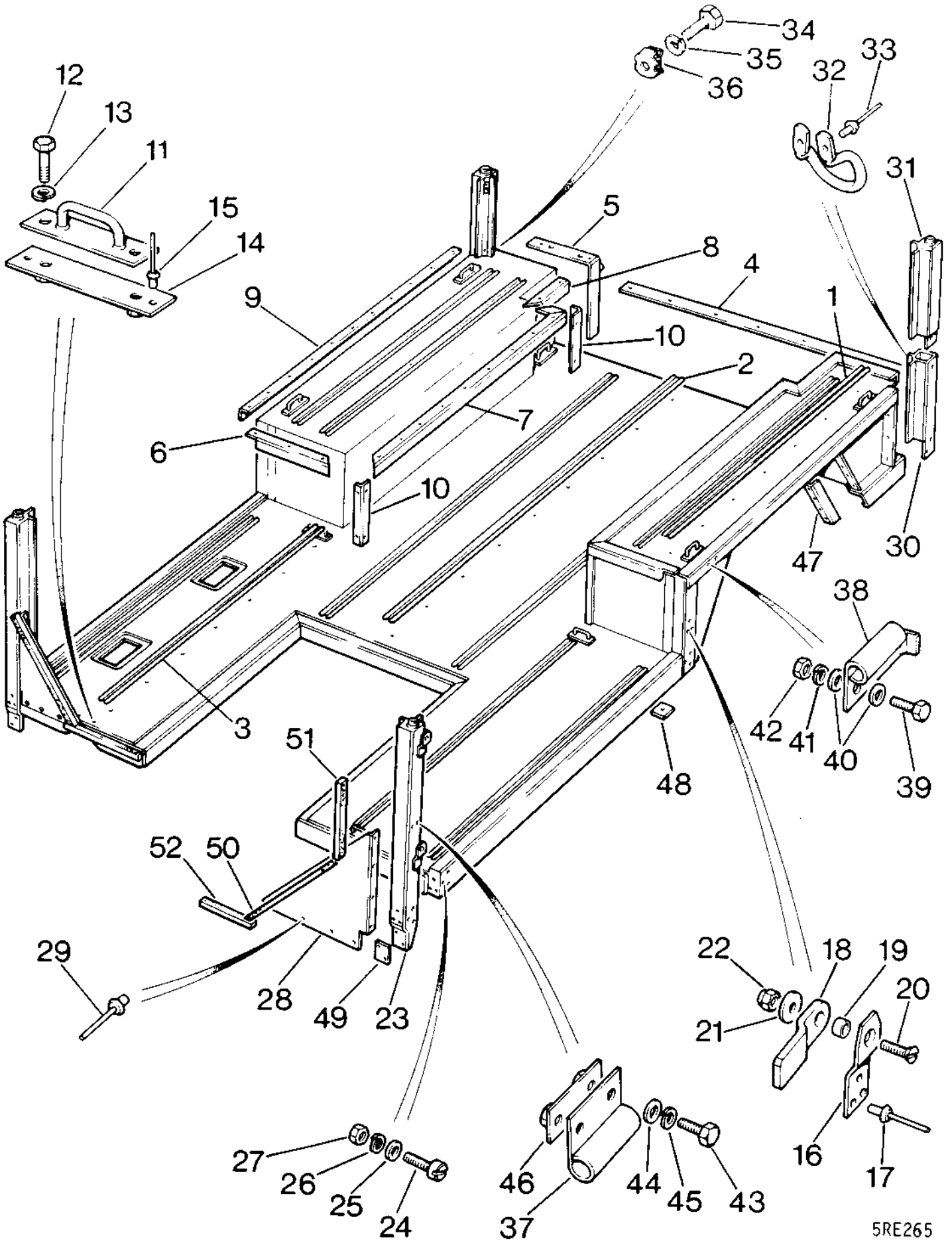
5RE174

BODY—Tool Stowage, Cab Front Panel

Plate									
Ref.	1	2	3	4	DESCRIPTION	Qty	Part No.	REMARKS	
1					Pick head retaining plate	1	595484*		
2					Pick head mounting plate assembly	1	598512*		
3					Spring for pick head mounting plate	1	598515*		
4					Wing nut (M12)	1	811582*		
5					Stiffening plate	1	595485*		
6					Screw (M6×16) } Mounting plate Plain washer } assembly to Spring washer } front panel and Nut (M6) } stiffening plate	2	890087*		
7						2	851007*		
8						2	810005		
9						2	853057		
10					Pickaxe support bracket	1	595486*		
11					Pop rivet, bracket to front panel	4	78248		
12					Pickaxe support pad	2	595487*		
13					Plain washer } Pad to front panel Pop rivet }	4	851211		
14						4	78410		
15					Tool support bracket for pick handle	2	595488*		
16					Strap assembly	2	308792		
17					Pop rivet, bracket and strap to panel	4	78410		
18					Tool support bracket for spade	1	595489*		
19					Strap assembly	1	308792		
20					Pop rivet, bracket and strap to panel	2	78410		
21					End stop, spade and pick handle	2	595490*		
22					Pop rivet, end stop to front panel	4	78248		
23					Starting handle	1	595120		
24					Rod for lifting jack	1	592219		
25					Stowage clip, starting handle and jack handle	2	346195		
26					Mounting bracket for stowage clip	2	595491		
27					Rubber packing, stowage clip	2	346072		
28					Solid rivet } Fixing stowage clip Collar for rivet }	4	79292		
29						4	79289		
30					Pop rivet, clip and bracket to panel	8	78248		
31					Mounting pad, pick, jack and starting handle	3	336352		
32					Pop rivet, pad to front panel	6	78410		
33					Retaining bracket, spade	1	595492*		
34					Pop rivet, bracket to front panel	4	78248		

* Asterisk indicates a new part which has not been used on any previous model.

BODY—Rear Lower



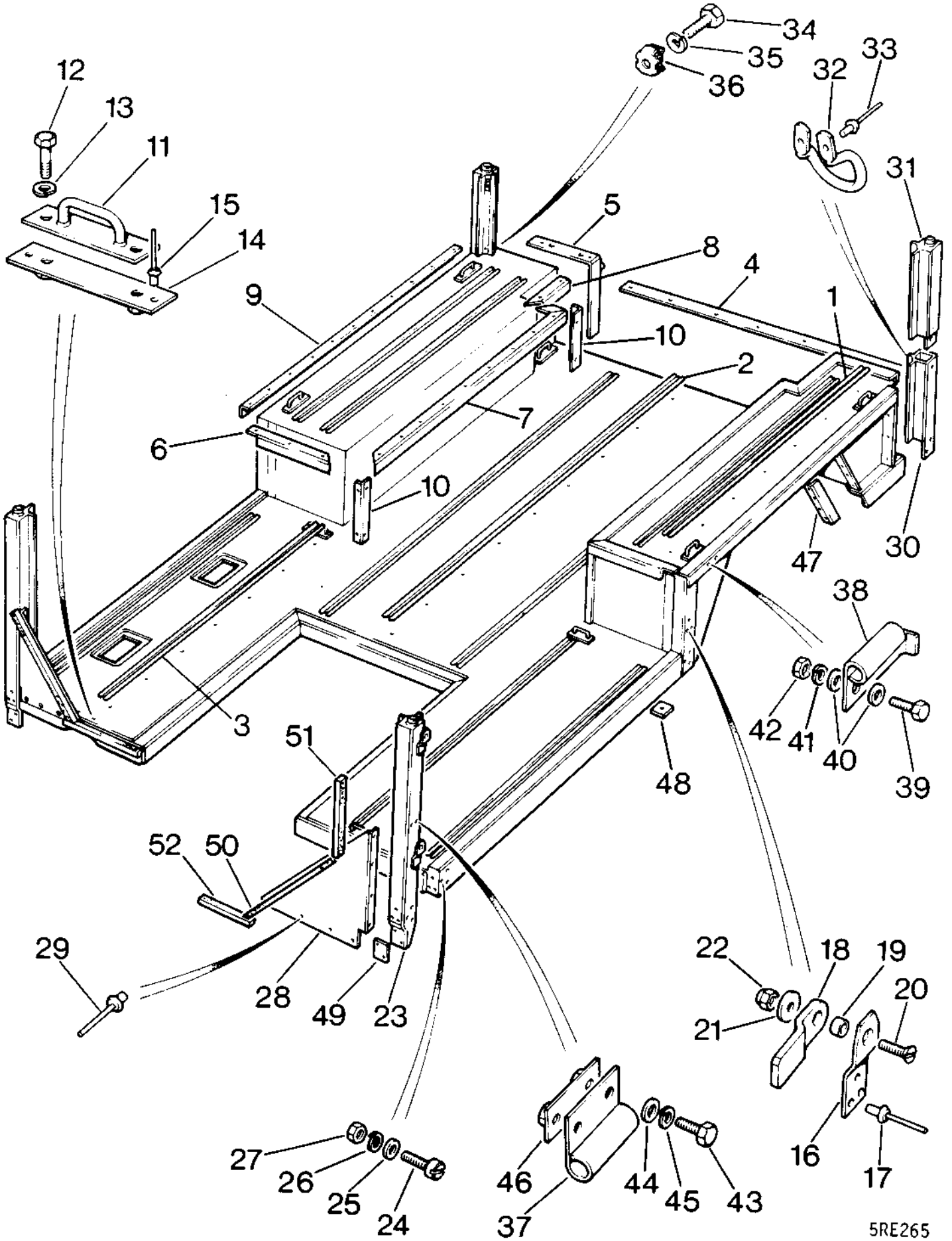
5RE265

BODY—Rear Lower

Plate								
Ref.	1	2	3	4	DESCRIPTION	Qty	Part No.	REMARKS
					REAR BODY LOWER ASSEMBLY	1	398046*	
1					Tread plate—w/arch box top	4	398171*	
2					Tread plate—floor—long	3	398170*	
3					Tread plate—floor—short	4	398171*	
4					Floor edging strip—to tailgate	1	398172*	
					Pop rivet securing tread plate and edging strips	94	78410	
5					Capping—rear top RH	1	398465*	
					Capping—rear top LH	1	398466*	
6					Capping—w/arch box top front RH	1	398263*	
					Capping—w/arch box top front LH	1	398264*	
7					Capping—w/arch box top inner long RH	1	398261*	
					Capping—w/arch box top inner long LH	1	398262*	
8					Capping—w/arch box top inner short RH	1	398259*	
					Capping—w/arch box top inner short LH	1	398260*	
9					Capping—w/arch box outer RH	1	398274*	
					Capping—w/arch box outer LH	1	398275*	
10					Capping—vertical w/arch box inner	4	398269*	
					Pop rivet fixing capping	72	78410	
11					Lashing cleats, rear body floor—w/arch box top and front pillars	12	395104*	
12					Screw (M6×20)	8	SH106201	} Securing lashing cleats
13					Spring washer	12	WM106001	
14					Nut plate	6	399742	
15					Pop rivet securing nut plate to floor	8	78410	
					Screw (M6×25)	4	SH106251	} Securing lashing cleats at tailgate end to floor
					Pop rivet	4	79305	
					Screw (M6×12)	4	890067	} Lashing cleats to front pillars
					Spring washer	4	WM106001	
					Screw (M6×12)	8	890061	} Cleats to wheelarch
					Spring washer	8	WM106001	
16					Case dropside catch	2	398397*	
17					Pop rivet, securing case	6	MRC2588*	
18					Tongue dropside catch	8	398306*	
19					Spacer dropside catch	8	398307*	
20					Screw (M8×25)	8	887827*	} Securing dropside catch
21					Plain washer	8	850847	
22					Self locking nut	8	810504	
23					Front pillar assembly RH	1	398104*	
					Front pillar assembly LH	1	398105*	
24					Screw (M6×16)	12	879077	} Fixing pillars to floor
25					Plain washer	24	WA106041	
26					Spring washer	12	WM106001	
27					Nut (M6)	12	854021	
					Rivet front pillar to floor	6	854969*	
28					Stiffener panel RH	1	398098*	
					Stiffener panel LH	1	398099*	
29					Pop rivet, panel to pillars and floor	16	78410	
30					Rear pillar, lower, RH	1	398456*	
					Rear pillar, lower, LH	1	398457*	

* Asterisk indicates a new part which has not been used on any previous model.

BODY—Rear Lower



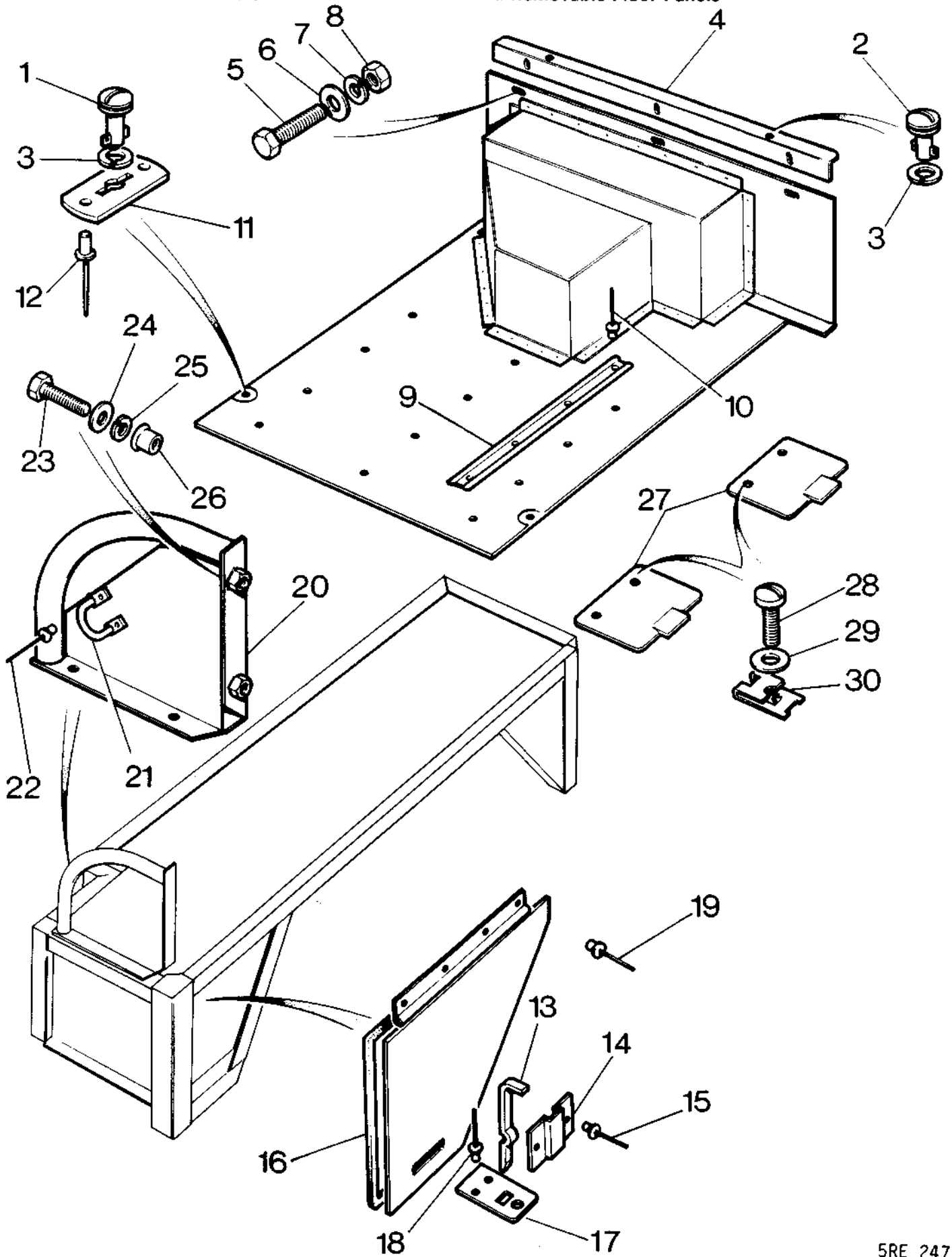
5RE265

BODY—Rear—Lower

Plate Ref.	1	2	3	4	DESCRIPTION	Qty	Part No.	REMARKS
31					Rear pillar, upper, RH	1	398124*	
					Rear pillar, upper, LH	1	398125*	
					Rivet fixing rear pillar to floor rave	6	854863	
					Rivet fixing rear pillar to cross-member	4	854862	
					Rivet rear lower pillars to frame	6	854874	
					Pop rivet, wheelarch frame to rear pillar	12	78410	
32					Rope hook	2	345699	
33					Pop rivet for rope hook	4	78410	
34					Screw (M6×16)	4	SH106161	} Upper pillar to lower pillar
35					Spring washer	4	WM106001	
36					Nut retainer	4	811853	
37					Hinge—female	2	398276*	
38					Hinge—female RH	2	398497*	
					Hinge—female LH	2	398498*	
39					Screw (M6×16)	16	SH106161	} Hinges to wheelarch cappings and rave
40					Plain washer	32	WB106041	
41					Spring washer	16	WM106001	
42					Nut (M6)	16	NH106041	} Hinges to front pillars
43					Screw (M6×16)	4	SH106061	
44					Plain washer	4	WA106041	
45					Spring washer	4	WM106001	
46					Nut plate	2	398111*	
					Nut plate, rear body fixing front centre	1	398373	
					Pop rivet, nut plate to RH centre strut	2	78631	
47					Rear angle RH	1	398094*	
					Rear angle LH	1	398095*	
48					Shim 14 swg	A/R	398492*	} Rear body to chassis
					Screw (M10×30)	8	889667	
					Plain washer	8	WC110061	
					Spring washer	8	WM110001	
					Nut (M10)	8	853037	
49					Shim 14 swg	A/R	398490*	} Front pillars to chassis
					Screw (M8×30)	4	SH108301	
					Plain washer	4	WC108051	
					Spring washer	4	810004	
					Nut (M8)	4	NH108041	
50					Seal—front pillar stiffener	2	398458*	
51					Seal—front pillar upper	2	398459*	
52					Seal—floor frame to cab	2	398330*	

* Asterisk indicates a new part which has not been used on any previous model.

BODY—Rear Locker Doors and Removable Floor Panels



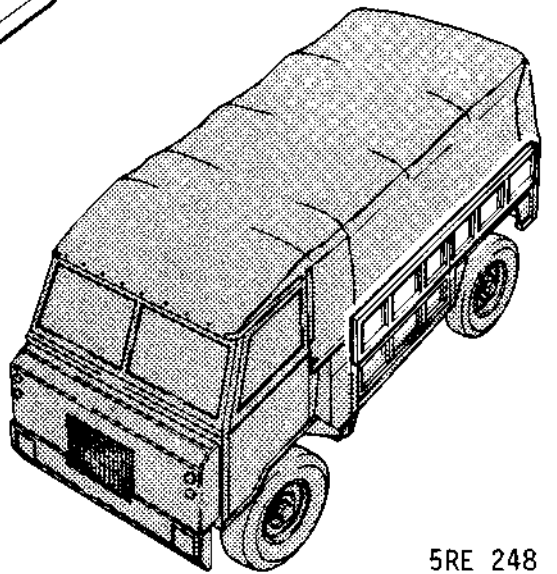
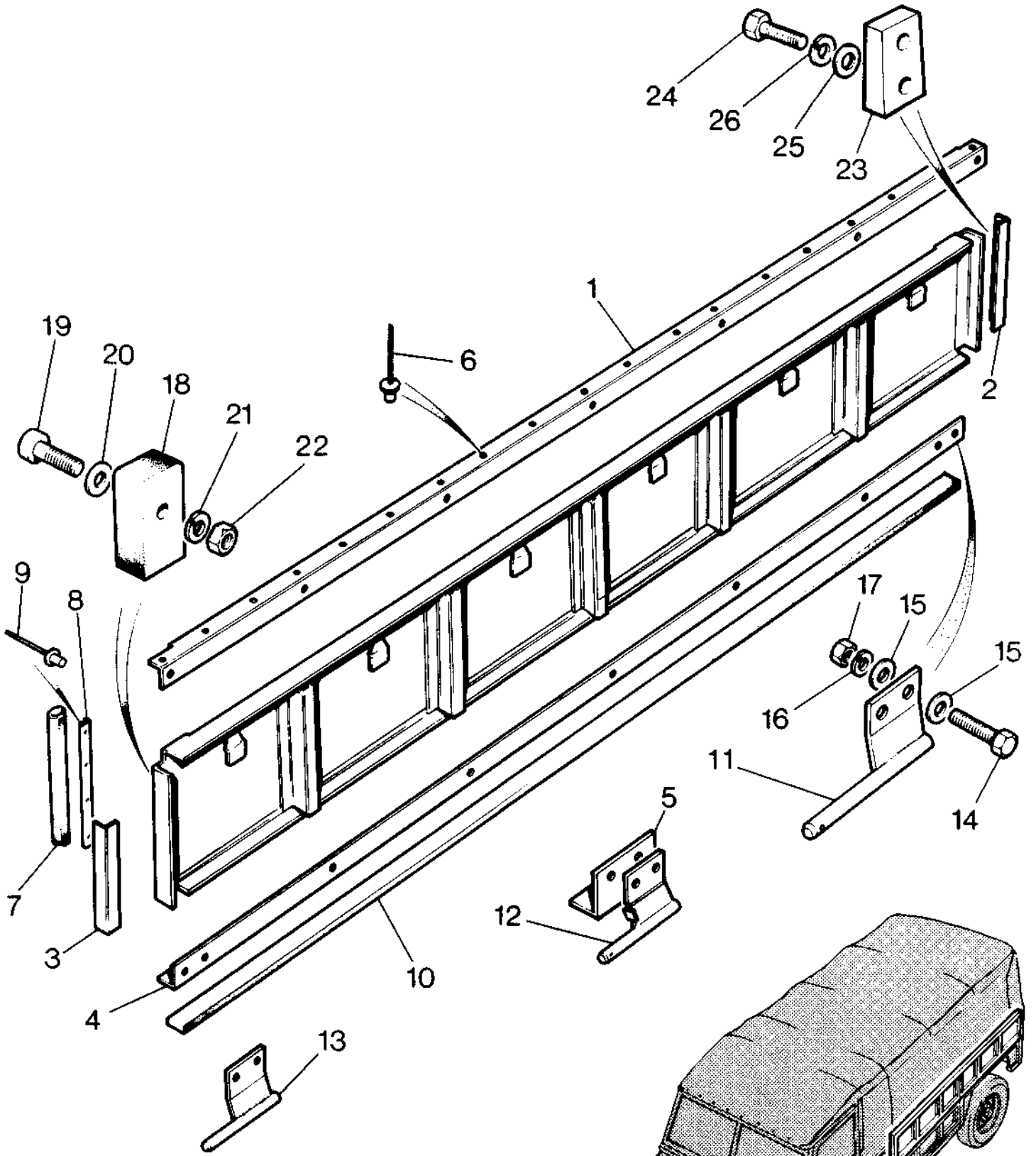
BODY—Rear Locker Doors and Removable Floor Panels

Plate Ref.	1	2	3	4	DESCRIPTION	Qty	Part No.	REMARKS
					REMOVABLE FLOOR ASSEMBLY	1	398406*	
1					Camloc stud	4	399222*	
2					Camloc stud	2	399227*	
3					Retaining washer for studs	6	399221*	
4					Joining angle	1	398414*	
5					Screw (M6×16)	3	890081	} Fixing joining angle to cab rear centre panel
6					Plain washer	6	851047	
7					Spring washer	3	810005	
8					Nut (M6)	3	853057	
9					Tread plate	3	398413*	
10					Pop rivet, fixing tread plate to floor	12	78410	
11					Camloc receptacle	4	399220*	
12					Pop rivet, fixing Camloc receptacle to centre member	8	78867	
					LOCKER DOOR ASSEMBLY, RH	1	399822*	
					LOCKER DOOR ASSEMBLY, LH	1	399823*	
13					Catch bolt	2	MRC119*	
14					Catch bolt retainer	2	398323*	
15					Pop rivet, fixing retainer to panel	4	78788	
16					Seal for locker door (cut from roll)	A/R	92563*	
17					Locking plate	2	398103*	
18					Pop rivet, fixing locking plate to base panel	4	79312	
19					Pop rivet, fixing hinge to wheelarch frame	4	78257	
20					Rear pillar stiffener and handrail, RH	1	398454*	
					Rear pillar stiffener and handrail, LH	1	398455*	
21					ROPE HOOK	2	345699	
22					Pop rivet, fixing rope hook	4	78410	
23					Screw (M8×20)	8	889867	} Fixing stiffener and handrail to pillars and wheelarch box
24					Plain washer	12	850837	
25					Spring washer	8	810004	
26					Riv nut (M8)	4	811880	
27					Cover plate for fuel tank	2	333202	
28					Acme bolt	4	320045	} Fixing cover plates to floor
29					Plain washer	4	3900	
30					Spire nut	4	79246	

NOTE. All items on this page are part of Rear Body Lower Assembly 398046

* Asterisk indicates a new part which has not been used on any previous model.

BODY—Rear Body Upper Assembly



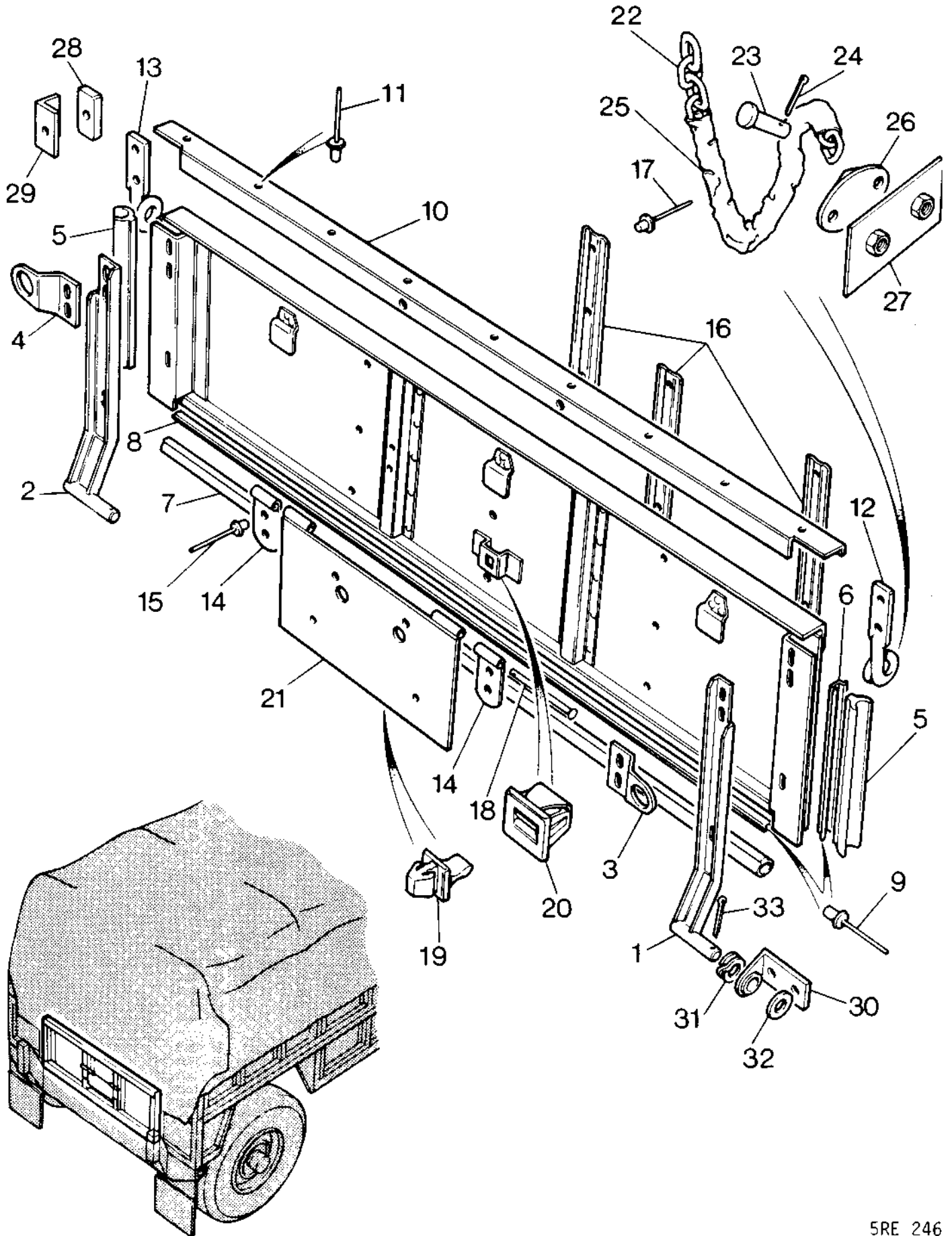
5RE 248

BODY—Rear Body Upper Assembly

Plate	DESCRIPTION				Qty	Part No.	REMARKS
Ref.	1	2	3	4			
					..	1	398197*
					..	1	398198*
1	Capping, top	2	398398*
2	Capping, side, RH	2	398209*
3	Capping, side, LH	2	398210*
4	Capping, bottom RH	1	398383*
	Capping, bottom LH	1	398384*
5	Stiffening angle hinge	2	398187*
6	Pop rivet fixing stiffener and capping	114	78410*
7	Seal, side	4	398212*
8	Seal retainer, side	4	398213*
9	Pop rivet, seal retainer to frame	16	78631
10	Seal, bottom (glued in place)	2	398211*
11	Hinge assembly, RH	2	398188*
12	Hinge assembly, RH centre	1	398493*
	Hinge assembly, LH centre	1	398494*
13	Hinge assembly, LH	2	398189*
14	Screw (M6×20)					12	890097
15	Plain washer					24	WB106041
16	Spring washer					12	810025
17	Nut (M6)					12	853057
18	Rubber buffer					4	398368*
19	Screw (M4×16)					4	881707
20	Plain washer					8	851307
21	Spring washer					4	810007
22	Nut (M4)					4	854047
23	Striking plate					4	398308*
24	Screw (M5×12)					8	SH105121
25	Plain washer					8	WC105001
26	Spring washer					8	810026

* Asterisk indicates a new part which has not been used on any previous model.

BODY—Tailboard

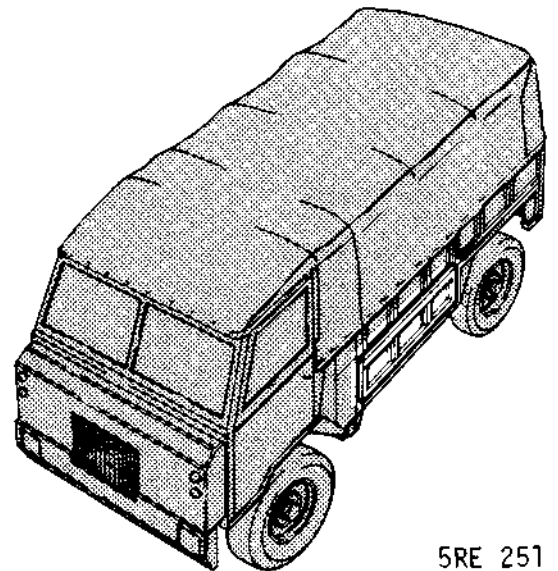
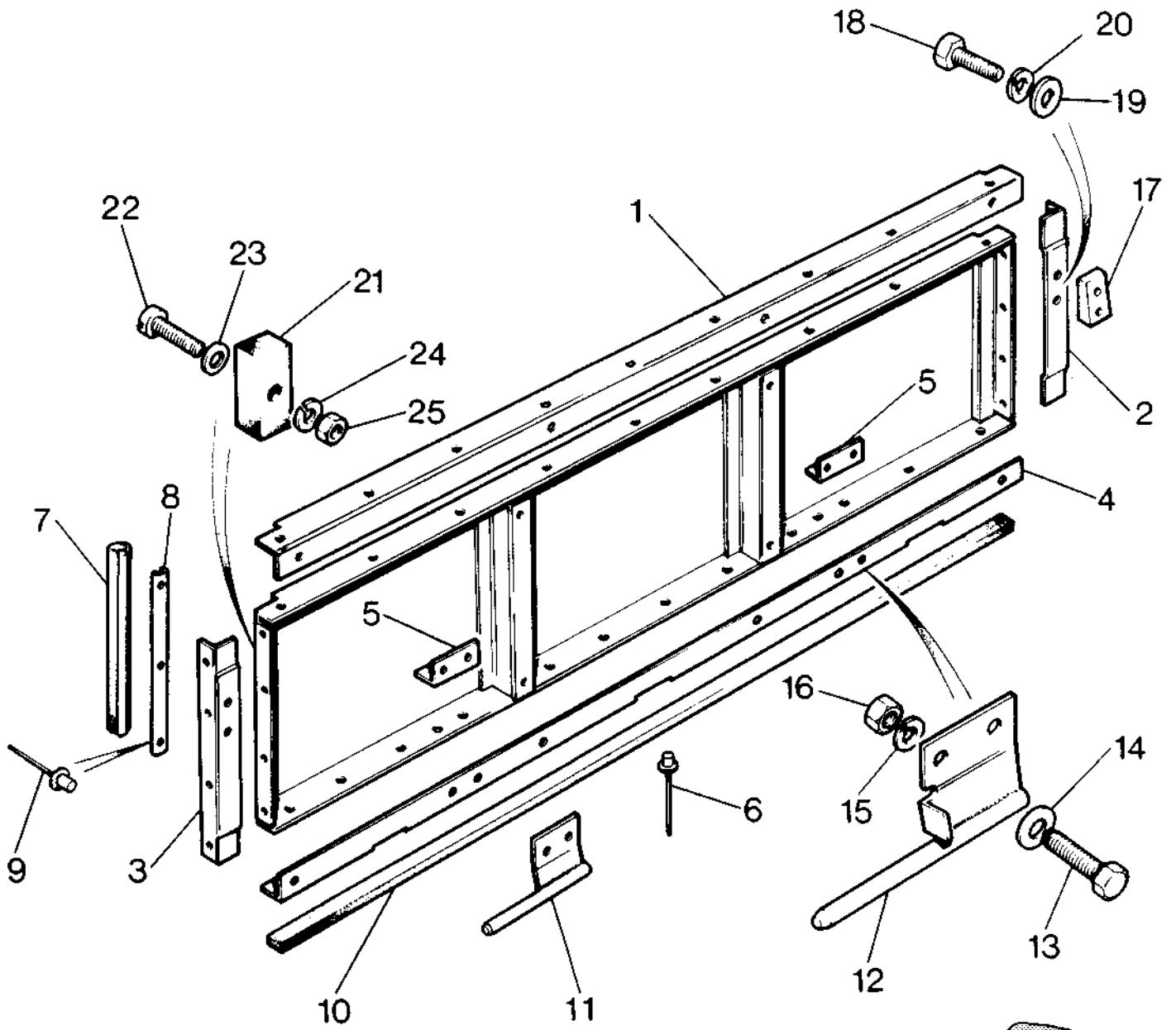


BODY—Tailboard

Plate Ref.	1	2	3	4	DESCRIPTION	Qty	Part No.	REMARKS
					TAILBOARD ASSEMBLY	1	398214*	
1					Hinge complete, RH	1	398225*	
2					Hinge complete, LH	1	398226*	
3					Locking plate, RH	1	398375*	
4					Locking plate, LH	1	398376*	
5					Seal, tailboard side	2	398232*	
6					Seal retainer, side	2	398234*	
7					Seal, tailboard bottom	1	398233*	
8					Seal retainer, bottom	1	398235*	
9					Pop rivet, fixing retainers to tailboard	16	78631	
10					Capping, top of tailboard	1	398230*	
11					Pop rivet, fixing capping	11	78410	
12					Chainhook, RH	1	332445	
13					Chainhook, LH	1	332446	
					Bolt (M6×55)	4	897317	} Fixing hinges, hooks and locking plates to tailboard
					Bolt (M6×45)	2	897297	
					Plain washer	12	851007	
					Spring washer	6	810025	
					Nut (M6)	6	853057	
					Rope hook	3	301328	
14					Hinge leaf, number plate mounting	2	398331*	
15					Pop rivet, hinge leaf to tailboard	4	78410	
16					Tread plate for tailboard	3	398236*	
17					Pop rivet, securing tread plates	9	78410	
18					Hinge pin	2	334121	
19					Number plate catch, male	1	346139	
20					Number plate catch, female	1	346140	
21					Rear number plate mounting plate	1	346046	
22					Tailboard chain	2	330399	
23					Clevis pin	2	302828	
24					Split pin	2	3958	
25					Anti-rattle sleeve	4	330422	
26					Tailboard chain bracket	2	302825	
27					Reinforcing plate	2	398395*	
					Screw (M6×16)	4	890087	} Fixing bracket and plate to wheelarch box
					Spring washer	4	810005	
28					Rubber buffer to tailgate	2	398368*	
29					Bracket for rubber buffer	2	398367*	
					Screw (M3×14)	2	881831	} Fixing rubber buffer to bracket
					Plain washer	2	851407	
					Spring washer	2	810008	
					Nut (M3)	2	854051	
					Screw (M5×16)	4	890311	} Fixing bracket to rear body capping
					Plain washer	4	851201	
					Spring washer	4	810006	
					Nut (M5)	4	853061	
30					Hinge bracket for tailgate	2	398377*	
					Screw (M8×20)	4	889867	} Fixing hinge bracket
					Spring washer	4	810004	
					Nut plate	2	398380	
					Pop rivet for nut plate	4	78410	
31					Double spring washer	1	2289	} Retaining tailboard to LH hinge pin
32					Plain washer	1	4870	
33					Cotter pin	1	2428	

* Asterisk indicates a new part which has not been used on any previous model.

BODY—Rear Body Sides LH and RH



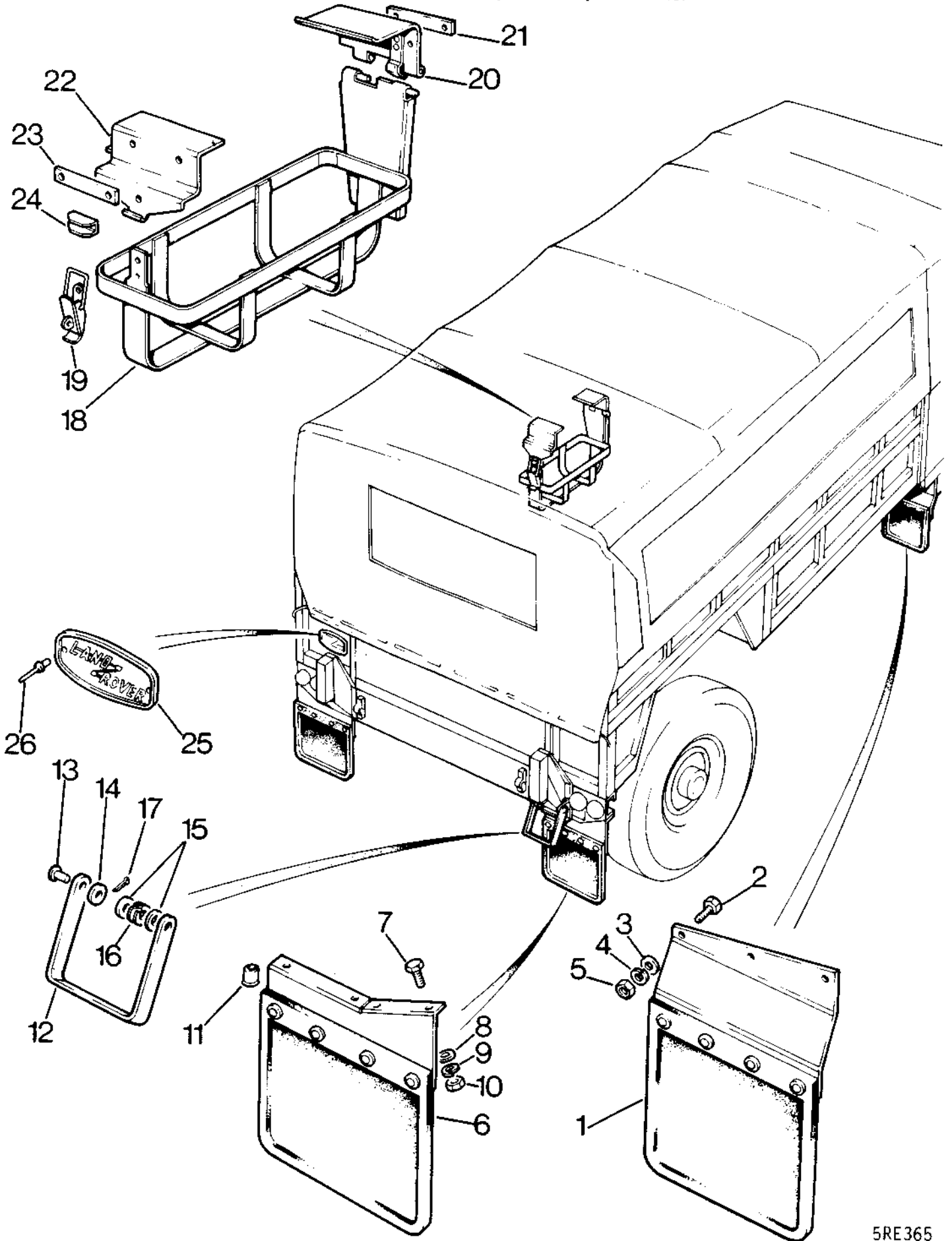
5RE 251

BODY—Rear Body Sides LH and RH

Plate Ref.	1	2	3	4	DESCRIPTION	Qty	Part No.	REMARKS
					REAR BODYSIDE LOWER ASSEMBLY, LH	1	398174*	
					REAR BODYSIDE LOWER ASSEMBLY, RH	1	398173*	
1					Capping, top	2	398183*	
2					Capping, side, RH	2	398184*	
3					Capping, side, LH	2	398185*	
4					Capping, bottom	2	398186*	
5					Stiffening angle, hinge	4	398187*	
6					Pop rivet, bottom capping and stiffening angle	8	78410	
					Pop rivet, top, bottom and side cappings	64	78410	
					Pop rivet, corner of cappings and stiffener	16	78410	
7					Seal, side	4	398194*	
8					Seal retainer	4	398195*	
9					Pop rivet, securing seal retainers	16	78631	
10					Seal, bottom—glued in place	2	398196*	
11					Hinge assembly, LH front	1	398189*	
					Hinge assembly, RH front	1	398188*	
12					Hinge assembly, LH, rear	1	398494*	
					Hinge assembly, RH, rear	1	398493*	
13					Screw (M6×20)	8	890097	
14					Plain washer	16	WB106041	} Securing hinges to capping
15					Spring washer	8	810025	
16					Nut, M6	8	853057	
17					Striker plate	4	398308*	
18					Screw (M5×12)	8	SH105121	} Striking plate to capping
19					Plain washer	8	WC105001	
20					Spring washer	8	810026	
21					Rubber buffer	4	398368*	
22					Screw (M4×16)	4	881707	} Fixing buffer to frame
23					Plain washer	8	WA104001	
24					Spring washer	4	810007	
25					Nut (M4)	4	854047	

* Asterisk indicates a new part which has not been used on any previous model.

BODY—Mudflaps, Rear Step and Jerrycan Carrier



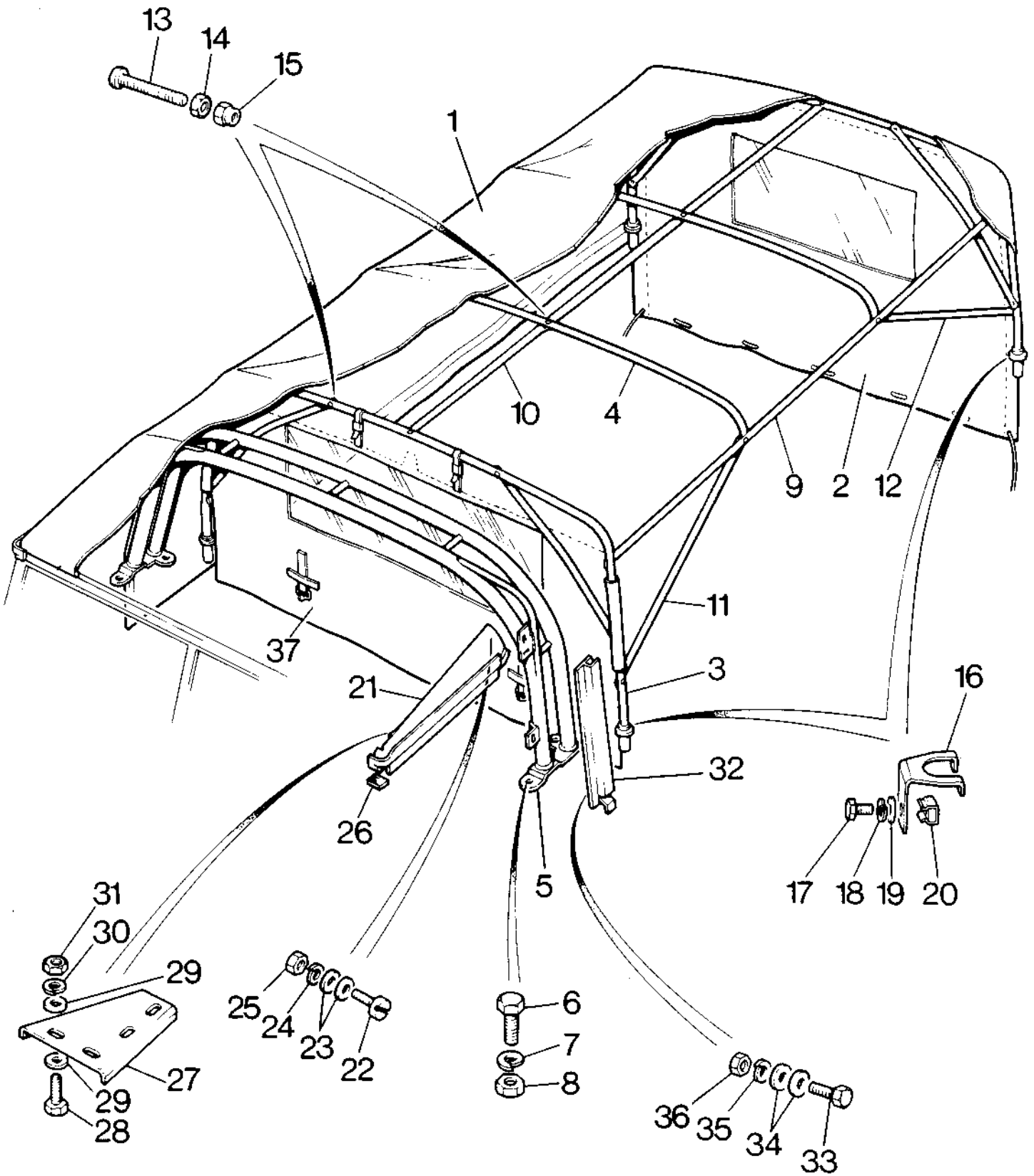
5RE365

BODY—Mudflaps, Rear Step, and Jerrican Carrier

Plate Ref.	1	2	3	4	DESCRIPTION	Qty	Part No.	REMARKS
1					Mudflap assembly, RH front	1	MRC1509*	
					Mudflap assembly, LH front	1	MRC1510*	
2					Screw (M6×16)	6	890081	
3					Plain washer	6	WA106041	Fixing mudflaps to No. 2 outrigger
4				Spring washer	6	810005		
5				Nut (M6)	6	NH106041		
6					Mudflap assembly, RH rear	1	MRC1609*	
					Mudflap assembly, LH rear	1	MRC1610*	
					Mudflap assembly, LH rear	1	MRC1611*	LH Stg
7					Screw (M6×16)	8	SH106161	
8					Plain washer	8	WA106041	Fixing mudflaps to rear cross-member
9					Spring washer	8	810005	
10					Nut (M6)	6	NH106041	
11					Nutsert (M6)	2	811948	
12					Rear step	1	NRC1131	
13					Clevis pin	2	306564	Fixing step
14					Plain washer	2	3966	
15					Plain washer	1	4898	
16					Spring washer	1	2285	
17					Split pin	2	852431	
18					CARRIER FOR JERRICAN	1	MRC1513*	
19					Toggle catch	1	398429*	
					Rivet (M4×8) snap head	2	854322*	
20					Hinge plate, jerrican stowage	1	MRC1557*	
					Screw (M6×20)	2	SH106201	Hinge plate to body cross-member
21					Washer plate	1	398440*	
					Self-locking nut (M6)	2	810505	
22					Catch plate	1	398426*	
					Screw (M6×20)	2	SH106201	Catch plate to body cross-member
23					Washer plate	1	398441*	
					Self-locking nut (M6)	2	810505	
24					Switch catch	1	398439*	
					Screw (M6×25)	1	SH106251	Catch to plate
					Plain washer	1	WC106041	
					Spring washer	1	810065*	
					Self-locking nut	1	810505	
25					Land Rover name plate	1	332670	
26					Pop rivet, nameplate to rear panel	2	78248	

* Asterisk indicates a new part which has not been used on any previous model.

BODY—Hood, Hoodsticks and Fume Curtain



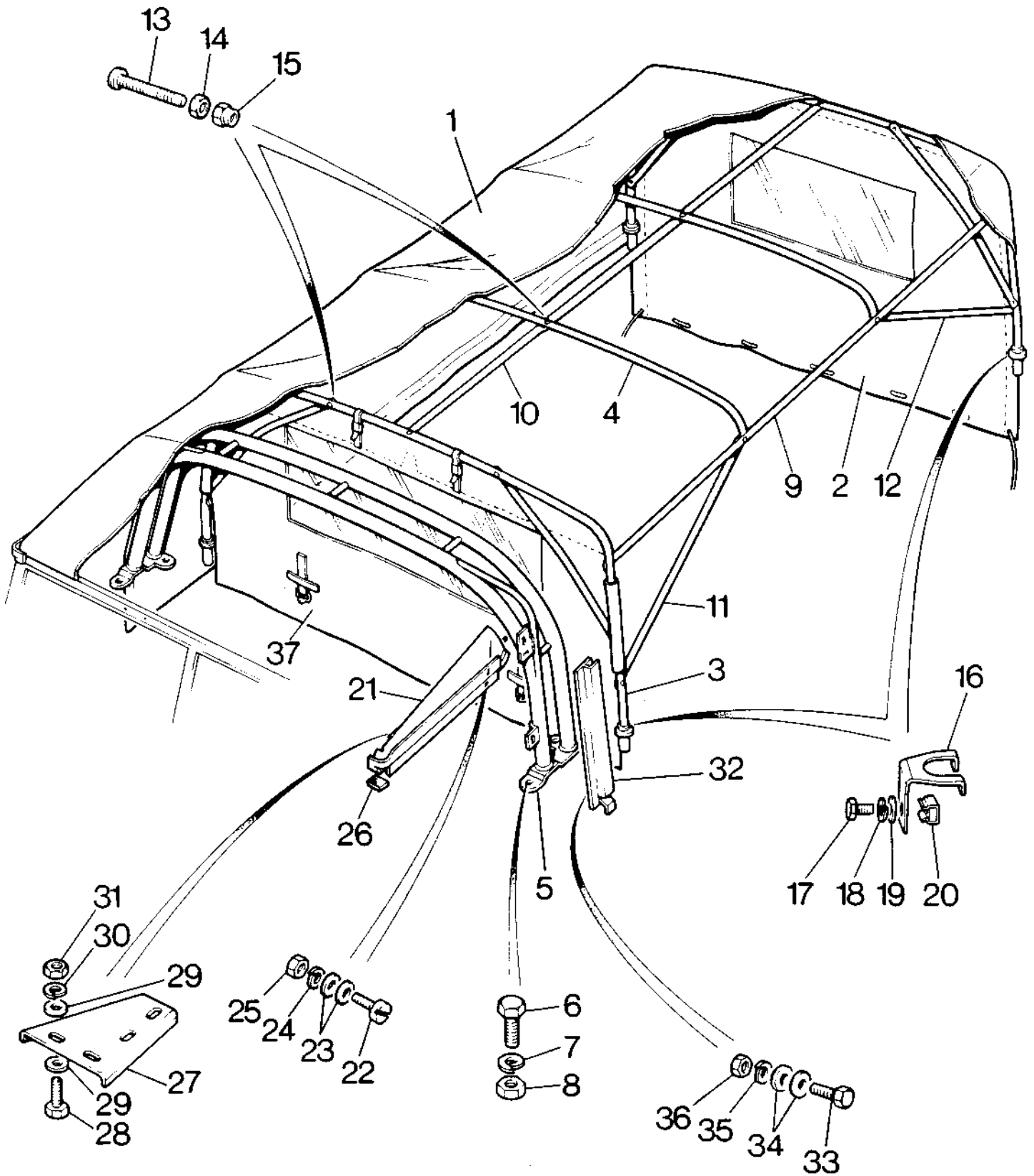
5RE364

BODY—Hood, Hoodsticks and Fume Curtain

Plate Ref.	1	2	3	4	DESCRIPTION	Qty	Part No.	REMARKS
1					HOOD COMPLETE ASSEMBLY, DRAB	1	MRC3497*	RH Stg
					HOOD COMPLETE ASSEMBLY, DRAB	1	MRC3498*	LH Stg
					HOOD COMPLETE ASSEMBLY, STONE	1	MRC3500*	RH Stg
					HOOD COMPLETE ASSEMBLY, STONE	1	MRC3499*	LH Stg
					HOOD COMPLETE ASSEMBLY, WITH SIDE EXIT	1	MRC3033*	B.A.C. vehicles RH Stg
2					REAR CURTAIN ASSEMBLY	1	399337*	
					Back-light	1	331978	
					Rope, bottom hem, 1/2" dia. x 88" long	1	331221	
					Sidelight for side curtain, passenger side	1	MRC1709*	
					Rope for side curtain, 1/2" dia. x 160" long	2	399581*	
					Rope rear top and sides, 1/2" dia. x 160" long	1	399581*	
3					Hoodstick, end	2	398237*	
4					Hoodstick, intermediate	2	398041*	
5					Front hoodstick and roll-over bar assembly	1	MRC1597*	
6					Bolt (M10x20)	8	889645	} Fixing front hoodstick and roll over bar to bulkhead cappings
7				Spring washer	8	810003		
8				Nut (M10)	8	853031		
9					Hoodstick, side, longitudinal	2	398042*	
10					Hoodstick, top, longitudinal	3	398043*	
11					Side brace	4	398044*	
12					End brace	4	337158	
13					Screw (M6x40) slotted c'sk head	24	800009*	} Fixing hoodsticks and braces together
14				Nut (M6)	24	854021		
15				Self-locking nut (M6)	24	810505		
16					Clamping bracket	4	398243*	
17					Screw (M6x12)	4	890067*	} Fixing brackets to front and rear pillars
18				Spring washer	4	810005		
19				Plain washer	4	851007*		
20					Nut retainer, front pillars	6	811862	
					Nut retainer, rear pillars	2	811862	
21					Top stiffener panel, RH	1	398244*	
					Top stiffener panel, LH	1	398245*	
22					Screw (M6x16)	2	879077*	} Fixing panels to top bracket (cab hood)
23				Plain washer	4	WC106041		
24				Spring washer	2	810005		
25					Nut, M6	2	854027*	
26					Sealing washer, windscreen to top drain channel	2	332605	
27					Adjustment plate, RH	1	330622	
					Adjustment plate, LH	1	330623	
28					Screw (M6x16)	8	890087*	} Adjustment plate to windscreen and top stiffener
29				Plain washer	16	851047*		
30				Spring washer	8	810005		
31				Nut (M6)	8	853057		
32					Door side drain channel, RH	1	398252*	
					Door side drain channel, LH	1	398253*	
33					Screw (M6x16)	4	890087*	} Drain channel to fixing bracket cab hoodstick
34				Plain washer	8	WC106041		
35				Spring washer	4	810005		
36					Nut (M6)	4	NH106041	

* Asterisk indicates a new part which has not been used on any previous model.

BODY—Hood, Hoodsticks and Fume Curtain



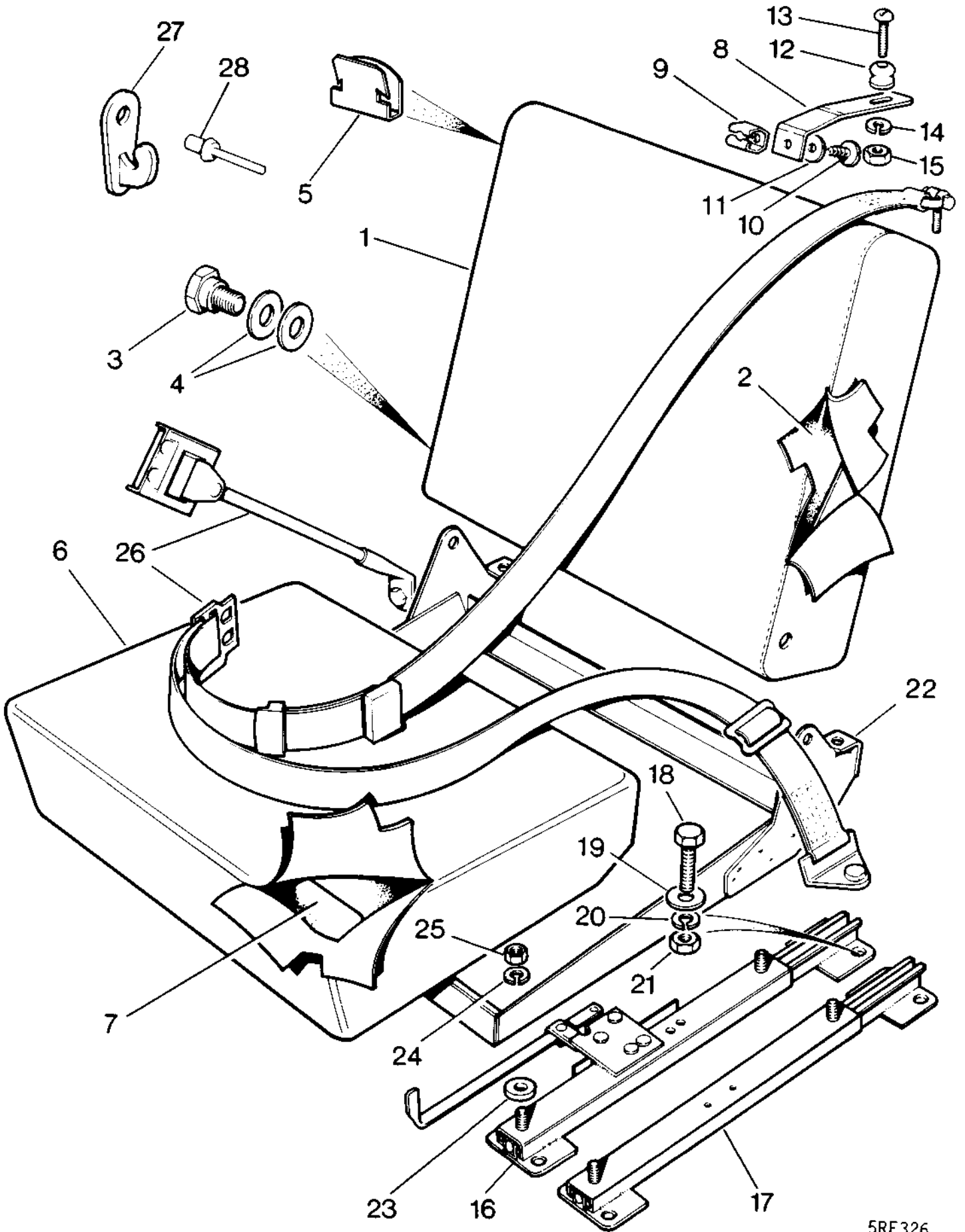
5RE364

BODY—Hood, Hoodsticks and Fume Curtain

Plate	DESCRIPTION				Qty	Part No.	REMARKS
Ref.	1	2	3	4			
37					1	MRC3519*	
					1	MRC3518*	
					1	331978	
					2	301005	
					A/R	91977	Cut from roll

* Asterisk indicates a new part which has not been used on any previous model.

BODY—Front Seats



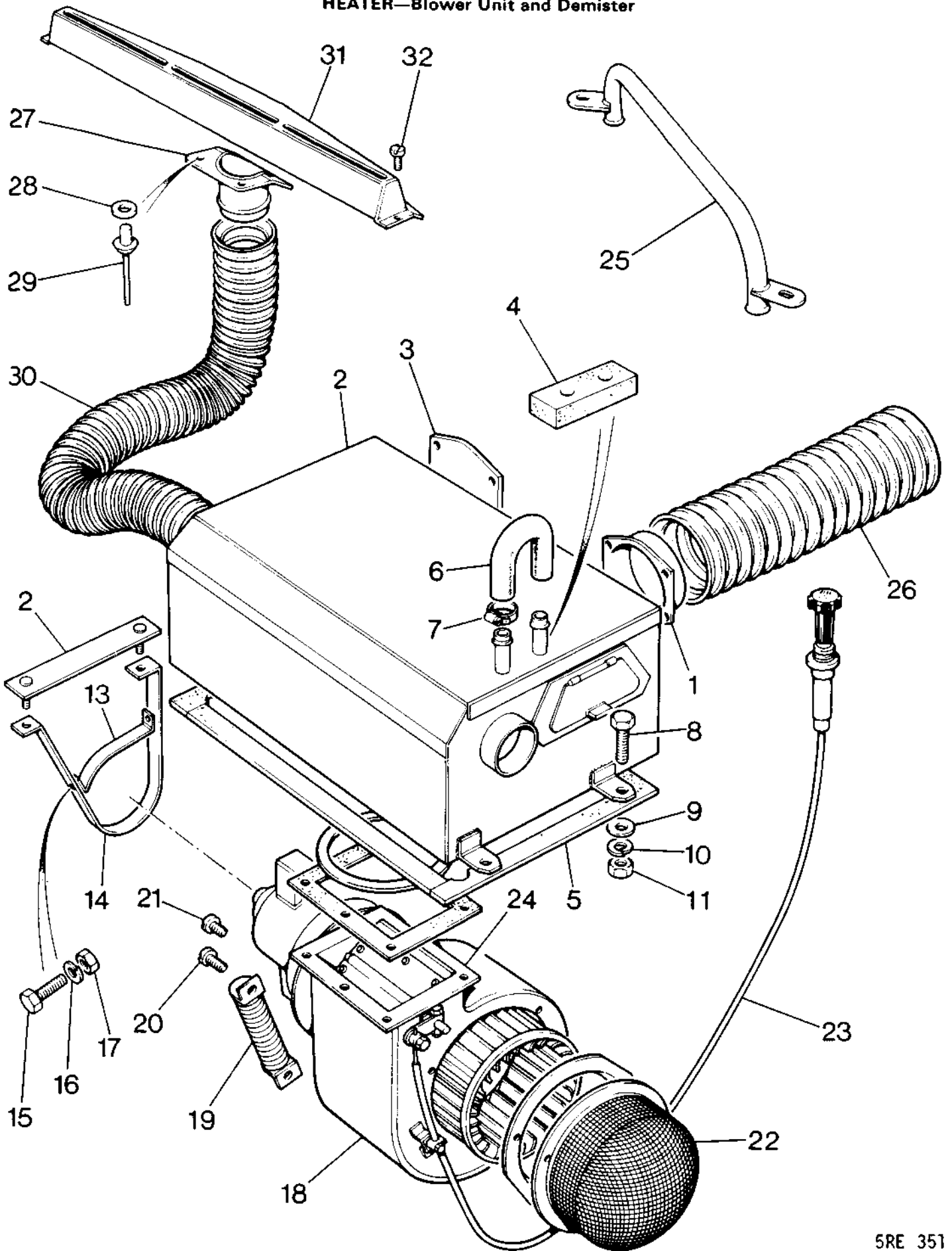
5RE326

BODY—Front Seats

Plate Ref.	1	2	3	4	DESCRIPTION	Qty	Part No.	REMARKS
1					SEAT SQUAB, TRIMMED	2	349202	
2					Interior for driver's and passenger's squab	2	337873	
3					Special bolt } Fixing squab to supports	4	331709	
4					Plain washer, thin }	8	349931	
5					Trim clips for squab	16	331071	
6					SEAT CUSHION, TRIMMED	2	349171	
7					Interior for cushion	2	337899	
8					Retaining strap for passenger seat	1	MRC1813	
9					Spire nut } Fixing	1	78237	
10					Drive screw } retaining	1	78522	
11					Plain washer } strap to squab	1	4034	
12					Stud } Fixing	1	348430	
13					Screw (2 BA) } retaining	1	78120	
14					Spring washer } strap to	1	WM702001	
15					Nut (2 BA) } capping	1	RTC608	
16					Front seat slide with control, driver	1	331102	RH Stg
					Front seat slide with control, driver	1	331103	LH Stg
17					Front seat slide, passenger	1	331104	
18					Screw (M6×20) } Driver's seat frame to	8	888031	
19					Plain washer } seat base panel	8	WC106041	
20					Spring washer } seat base panel	8	WA106041	
21					Nut (M6) thin } seat base panel	8	854021	
					Screw (M6×20) } Passenger's seat frame	6	SH106201	
					Plain washer } to seat base panel	6	WC106041	
					Spring washer } to seat base panel	6	WA106041	
					Nut (M6) } to seat base panel	6	NH106041	
22					Frame for seat cushion	2	331466	
23					Distance washer } Fixing frame	2	4094	
24					Spring washer } to	4	WM600051	
25					Nut (7/8" UNF) } seat slides	4	254861	
26					Safety harness	2	MRC1675	
27					Hook safety harness stowage	2	347541	
28					Pop rivet, fixing hook	2	79194	

* Asterisk indicates a new part which has not been used on any previous model.

HEATER—Blower Unit and Demister

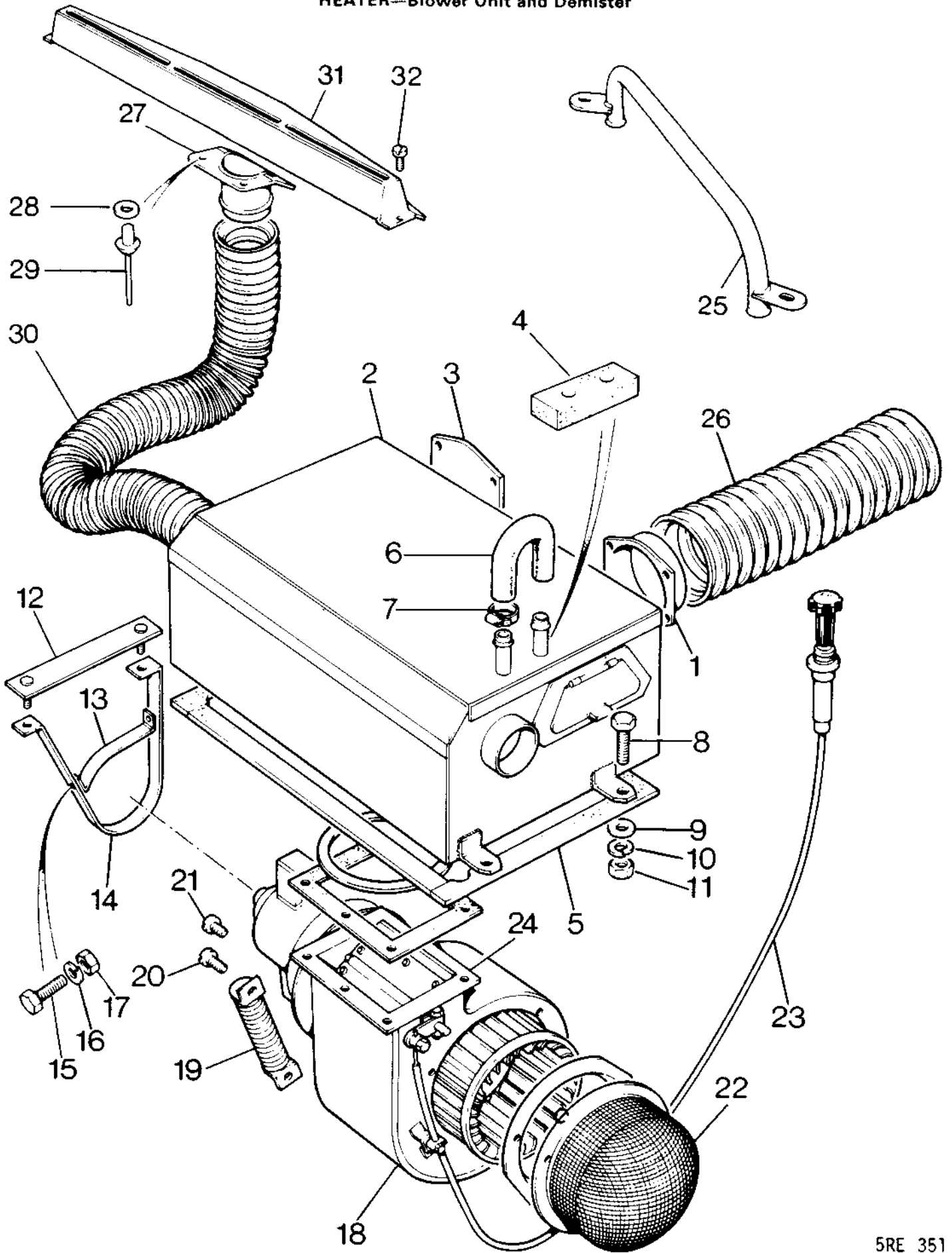


HEATER—Blower Unit and Demister

Plate Ref.	1	2	3	4	DESCRIPTION	Qty	Part No.	REMARKS
					HEATER ASSEMBLY COMPLETE	1	399913*	
1					Heater outlet assembly	1	399972*	
2					Heater matrix	1	399962*	
3					Blanking plate	1	399975*	
4					Seal	1	MRC1663	
5					Sealing ring	1	399917*	
					Pop rivet—rear body outlet and blanking plate	8	78460	
6					Hose connection	1	MRC1658*	
7					Clip—hose to take-off points	2	90517821	
8					Set screw (M6×16)	4	890081	
9					Plain washer	4	851007	
10					Spring washer	4	810005	
11					Nut (M6)	4	NH106041	
12					Stud plate assembly	1	MRC2611*	
13					Strap	1	MRC2610*	
14					Cradle strap	1	MRC2609*	
15					Screw (M6×12)	2	890061	
16					Spring washer	4	810005	
17					Nut (M6)	4	853051	
					BLOWER UNIT—COMPLETE ASSEMBLY	1	399927*	12 Volt
					BLOWER UNIT—COMPLETE ASSEMBLY	1	399928*	24 volt
18					Blower motor and mounting plate assembly	1	623234*	12 volt
					Blower motor and mounting plate assembly	1	623235*	24 volt
19					Resistor	1	90623200*	12 volt
					Resistor	1	90623201*	24 volt
					Screw (M3×20)	1	897781	
					Plain washer	1	851401	
					Nut (M3)	1	853085	
20					Drive screw resistor to volute	2	78921	
21					Drive screw—blower motor and mounting plate assembly to blower volute	3	79142	
22					Filter blower intake	1	MRC11*	
					Clip control cable	1	239673	
					Bolt (M4×20)	1	890541	
					Spring washer	1	810007	
					Plain washer	1	851307	
					Nutsert (M4)	1	811935	
23					Control cable	1	399058*	
24					Gasket blower unit to top rail panel	1	399926*	
25					Matrix pipe assembly	1	90707054*	
					Stud plate assembly	1	MRC2664*	
					Stud plate assembly	1	MRC3231*	
					Plain washer	5	WB106041	
					Spring washer	5	850005	
					Nut (M6)	5	853051	
					Rivets—stud plate to radiator panel	4	78410	
26					Hose—heater to engine cover	1	399305*	

* Asterisk indicates a new part which has not been used on any previous model.

HEATER—Blower Unit and Demister

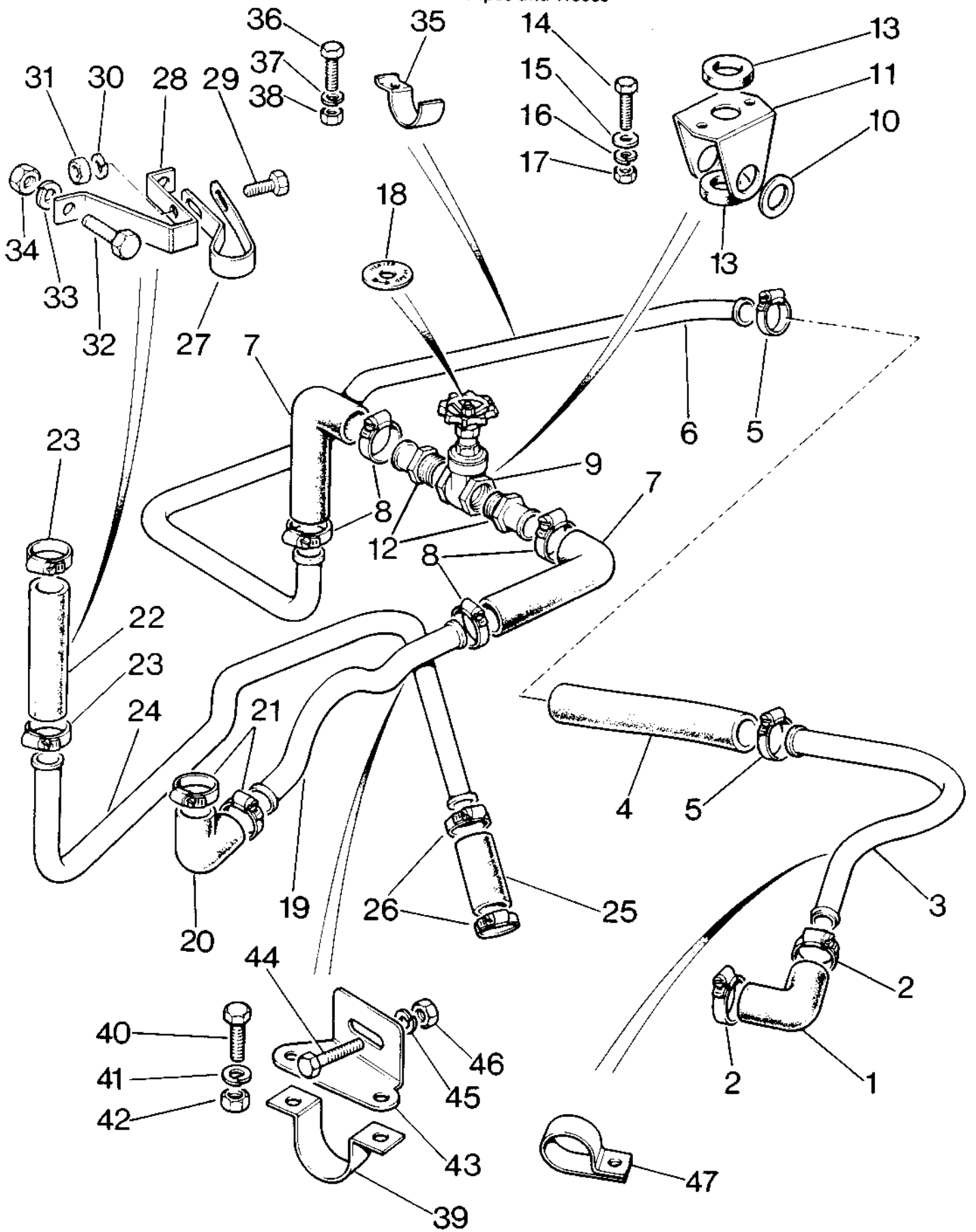


HEATER—Blower Unit and Demister

Plate					DESCRIPTION	Qty	Part No.	REMARKS
Ref.	1	2	3	4				
27					Demister inlet	2	398730*	
28					Demister inlet to dash rail	8	851201	
29				Plain washer		8	78410	
30					Demister tube	2	399304*	
31					Demister cowl	2	398729*	
32					Drive screw (No. 4 × 3/8") duct to dash rail	14	78126	

* Asterisk indicates a new part which has not been used on any previous model.

HEATER—Pipes and Hoses

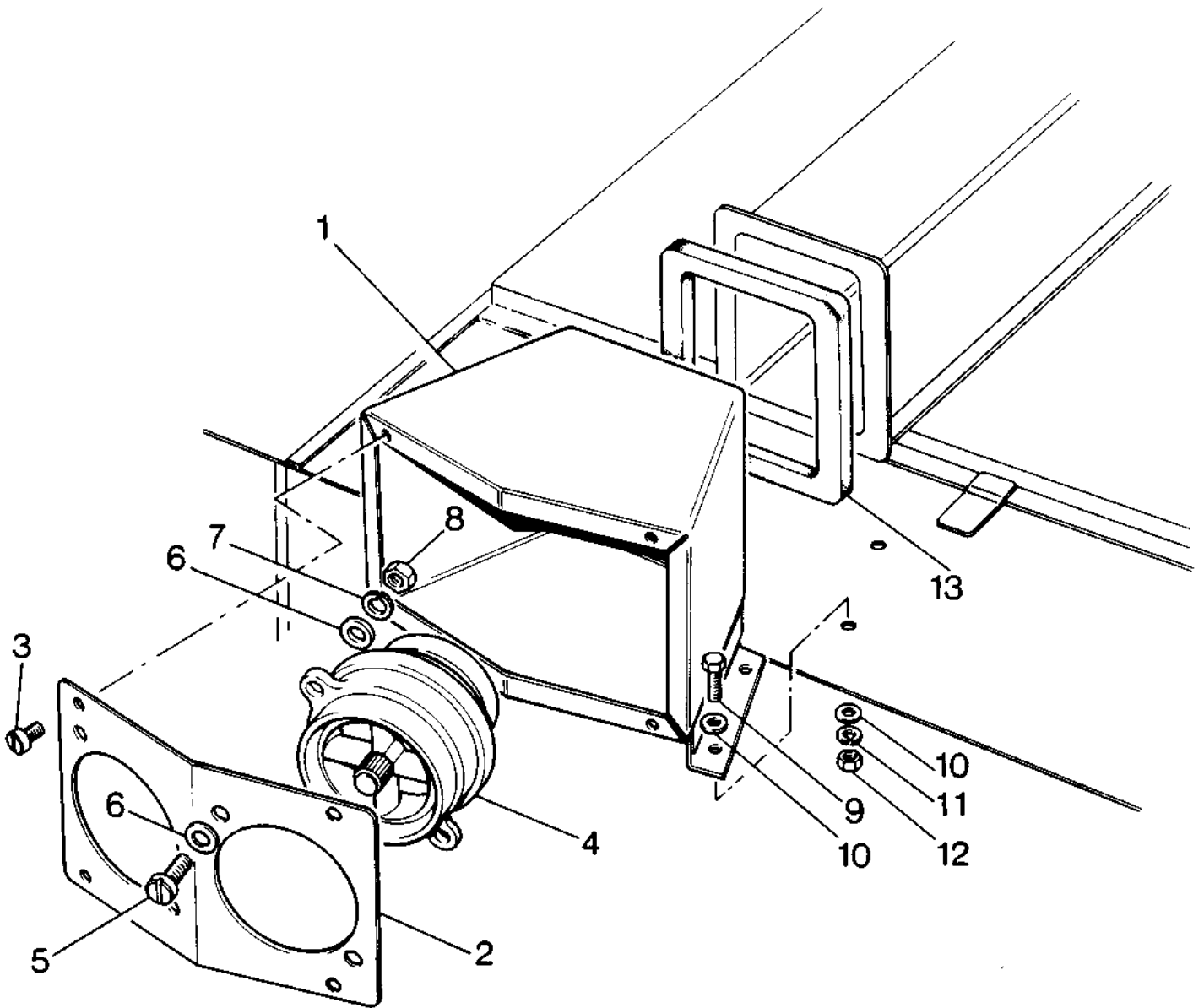


HEATER—Pipes and Hoses

Plate	DESCRIPTION				Qty	Part No.	REMARKS
Ref.	1	2	3	4			
1	Elbow, hose, manifold to short pipe	1	707033*	
2	Clip, hose, elbow to pipe	2	GHC811	
3	Short pipe, manifold to gate valve	1	90707041*	
4	Long hose, short to long pipe	1	90707036*	
5	Hose clip	2	GHC811	
6	Long pipe, manifold to gate valve	1	90707043*	
7	Elbow, pipe to gate valve	2	MRC113*	
8	Hose clip	4	GHC811	
9	Gate valve complete with knob	1	707039*	
10	Joint washer, extension and bracket to valve	4	2975	
11	Mounting bracket for valve	1	90707040*	
12	Extension, gate valve	2	707037*	
13	Sealing washer, valve top	2	707032*	
14	Set screw (M4×16)	} Gate valve assembly to top panel radiator duct	2	890531	
15	Plain washer		2	851311	
16	Spring washer		2	810007	
17	Nut (M4)		2	853071	
18	Label, heater tap, basic heating instruction	1	MRC2161*	
19	Pipe, gate valve to matrix inlet	1	90707042*	
20	Elbow hose, manifold to short pipe	1	707033*	
21	Hose clip, elbow to pipes	2	GHC811	
22	Medium hose, outlet matrix	1	707035*	
23	Hose clip, medium hose	2	GHC811	
24	Pipe, outlet to radiator bottom hose	1	90707044*	
25	Hose, short, pipe to radiator bottom hose	1	707034*	
26	Hose clip for hoses	2	GHC811	
27	Clip, pipe, matrix to bottom hose	1	MRC161*	
28	Pipe clip support	1	399425*	
29	Set screw (M8×16)	} Fixing clip to support	1	889851	
30	Spring washer		1	810004	
31	Nut (M8)	} Fixing support to body	1	853041	
32	Set screw (M6×16)		2	890081	
33	Spring washer		2	810005	
34	Nut (M6)		2	853051	
35	Clip, pipe, manifold to gate valve	2	MRC162*	
36	Set screw (M6×16)	} Clips to underside of seat base	2	890081	
37	Spring washer		2	810005	
38	Nut, M6		2	853051	
39	Clip, pipe, gate valve to matrix	1	MRC163*	
40	Set screw (M5×12)	} Fixing clip to bracket	2	SH105121	
41	Spring washer		2	810006	
42	Nut (M5)		2	853061	
43	Bracket clip	1	MRC165*	
44	Set screw (M8×16)	} Bracket to top panel stiffener	1	889851	
45	Spring washer		1	810004	
46	Nut (M8)		1	853041	
47	Clip, pipe, manifold to gate valve	1	MRC164*	

* Asterisk indicates a new part which has not been used on any previous model.

HEATER—Rear Heater Distributor Box



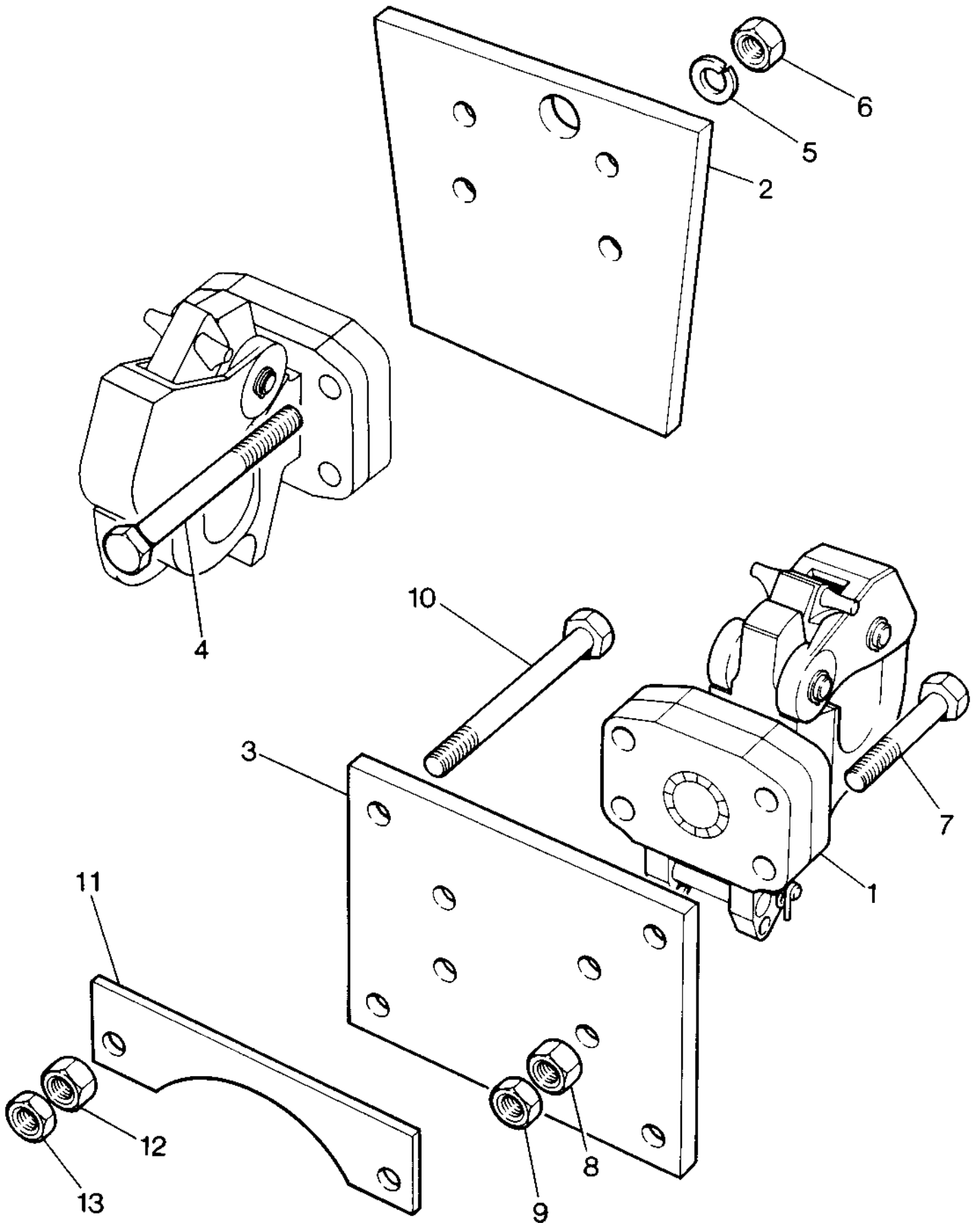
5RE379

HEATER—Rear Heater Distributor Box

Plate										
Ref.	1	2	3	4	DESCRIPTION	Qty	Part No.	REMARKS		
1					REAR HEATER DISTRIBUTOR BOX ASSEMBLY ..	1	399886*			
2					End plate	1	399585*			
3					Drive screw (No. 8× $\frac{3}{8}$ ") end plates to box ..	4	78527			
4					Air duct (louvre)	2	399524*			
5					Screw (M5×16)	4	897261			
6					Plain washer	8	851211	} Air duct to end plate		
7					Spring washer	4	810006			
8					Nut (M5) ..	4	854031			
9					Screw (M4×14)	4	890521	} Fixing distributor box to top centre panel		
10					Plain washer	8	851311			
11					Spring washer	4	810007			
12					Nut (M4) ..	4	853071			
13					Seal—distributor box to air duct	1	399997*			

* Asterisk indicates a new part which has not been used on any previous model.

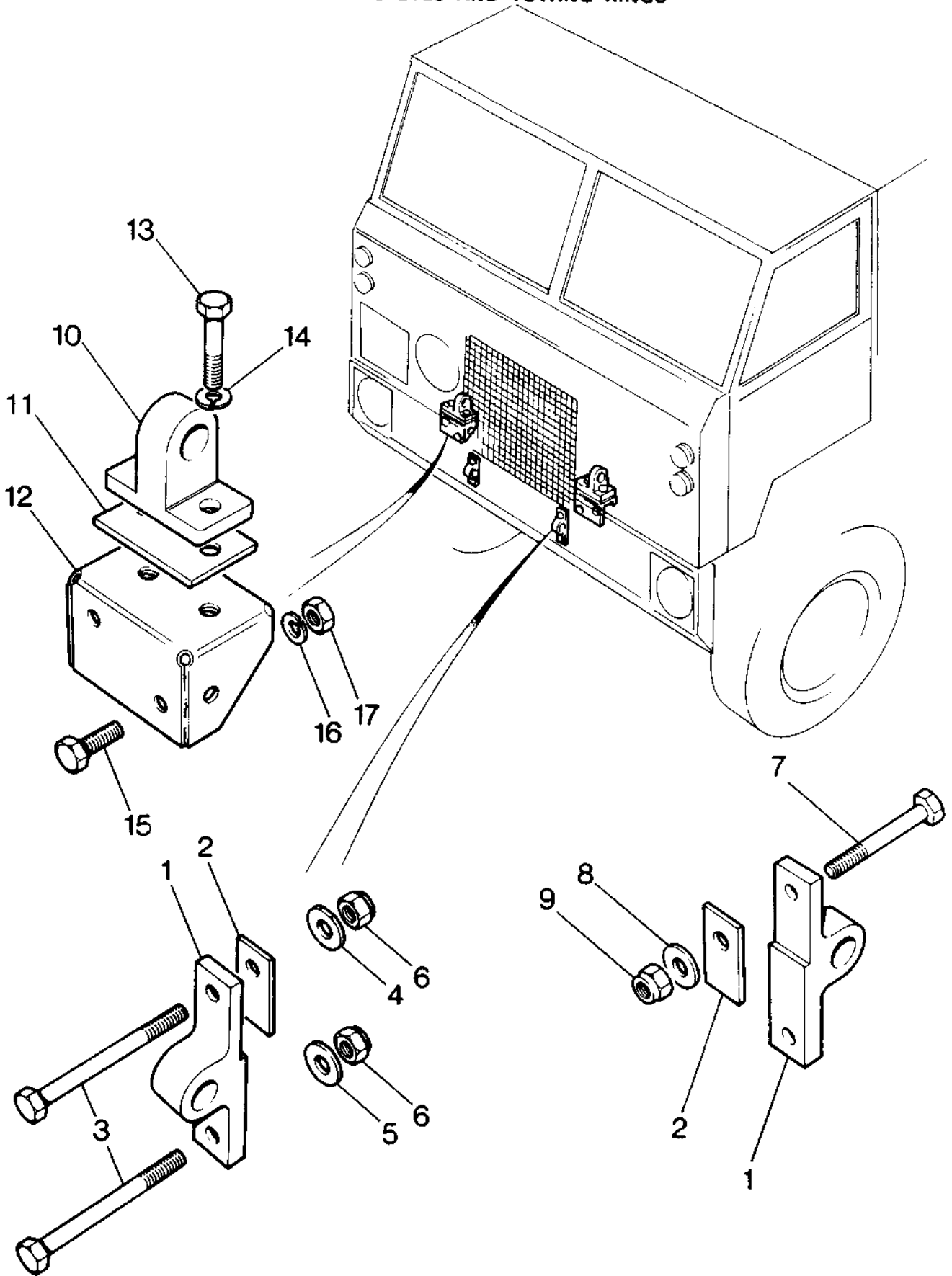
TOWING PINTLES—Front and Rear



TOWING PINTLES—Front and Rear

Plate Ref.	1	2	3	4	DESCRIPTION	Qty	Part No.	REMARKS
1					Front towing pintle	1	NRC2051	Optional
					Rear towing pintle	1	NRC2051	
2					Reinforcing plate for front towing pintle	1	624199	Optional
3					Adaptor plate for rear towing pintle	1	595476	
4					Bolt (M12×140)	4	BH112281	} Optional
5					Spring washer	4	WL112001	
6					Nut (M12)	4	NH112041	
7					Bolt (M12×7E)	4	BH112151	
8					Nut (M12)	4	NH112041	} Pintle to adaptor plate
9					Locknut (M12)	4	NT112041	
10					Bolt (M12×140)	4	896651	} Fixing pintle and adaptor plate to rear crossmember
11					Backing strip	2	598922	
12					Nut (M12)	4	853021	
13					Locknut (M12)	4	853171	

LIFTING EYES AND TOWING RINGS

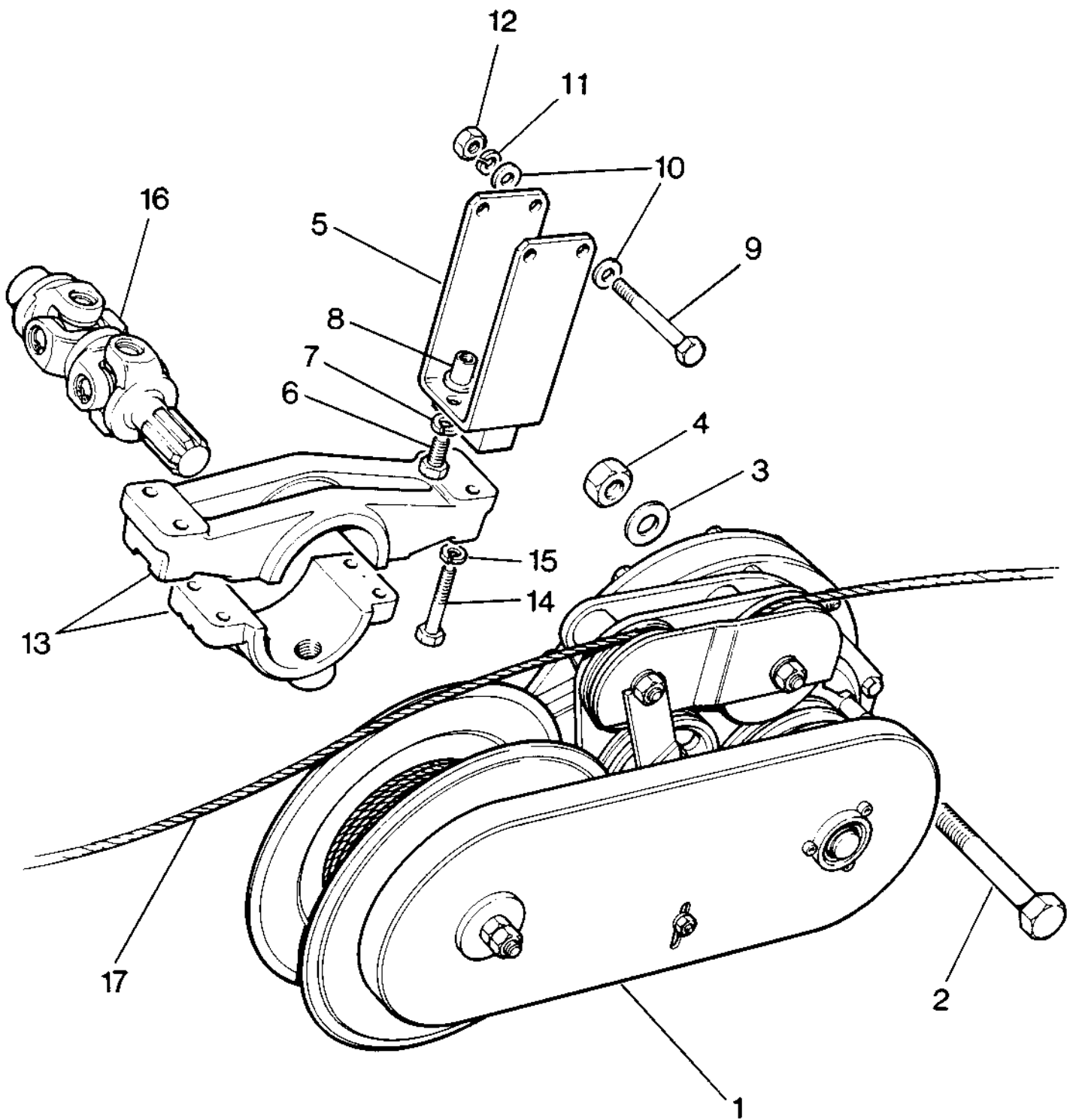


LIFTING EYES AND TOWING RINGS

Plate Ref.	1	2	3	4	DESCRIPTION	Qty	Part No.	REMARKS
1					Lifting and towing rings front and rear	4	598867*	
2					Packing piece	4	595470	
3					Bolt (M10×110)	4	896881*	
4					'D' washer	2	599318	} Fixing rings to No. 1 crossmember
5					Plain washer	2	4355*	
6					Self-locking nut (M10)	4	810503	} Rings to rear crossmember
7					Bolt (M10×65)	4	896881*	
8					Plain washer	4	4355*	
9					Self locking nut	4	810503	
10					Lifting and towing ring (helicopter lifting)	2	NRC1221*	
11					Lifting eye plate	2	NRC1220*	
12					Lifting eye bracket and plate assembly R.H.	1	NRC1215*	
					Lifting eye bracket and plate assembly L.H.	1	NRC1216*	
13					Bolt M12×50)	4	896521	} Fixing lifting ring and eye plate to bracket assembly
14					Spring washer	4	810022	
15					Screw (M10×25)	6	889651	} Fixing brackets to inside of front bumper
16					Spring washer	6	810023	
17					Nut (M10)	6	853031	

* Asterisk indicates a new part which has not been used on any previous model.

CAPSTAN WINCH—Winch Unit and Cable



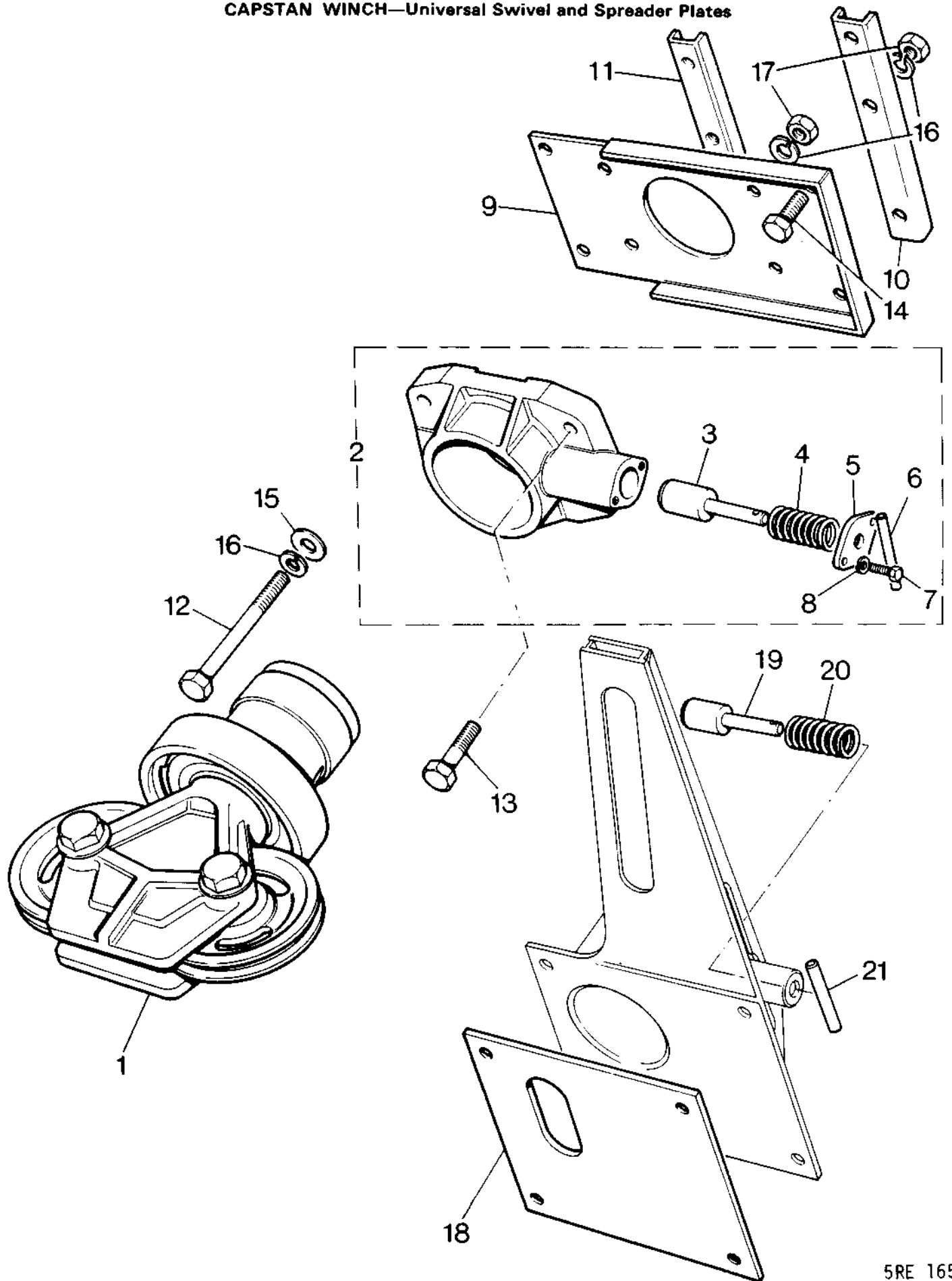
5RE164J

CAPSTAN WINCH—Winch Unit and Cable

Plate								
Ref.	1	2	3	4	DESCRIPTION	Qty	Part No.	REMARKS
1					Winch assembly	1	582207*	
2					Bolt (M20×150)	1	896135*	} Fixing winch to bracket
3					Plain washer	1	850005*	
4					Self-locking nut (M20)	1	810500	} on chassis sidemember
5					Support bracket	2	582126*	
6					Screw (M10×25)	4	889651	} Fitting support brackets to chassis sidemember
7					Spring washer	4	810003	
8					Riv nut (M10)	4	811922	
9					Bolt (M10×100)	4	893685	
10					Plain washer	8	WC110061	
11					Spring washer	4	810003	
12					Nut (M10)	4	853031	
13					Mounting bracket assembly	1	582760*	
14					Set bolt (M10×65)	4	BH110131	} Fixing mounting bracket to support brackets
15					Spring washer	4	810003	
16					Drive shaft	1	582201*	
17					Winch cable	1	582198*	

* Asterisk indicates a new part which has not been used on any previous model.

CAPSTAN WINCH—Universal Swivel and Spreader Plates

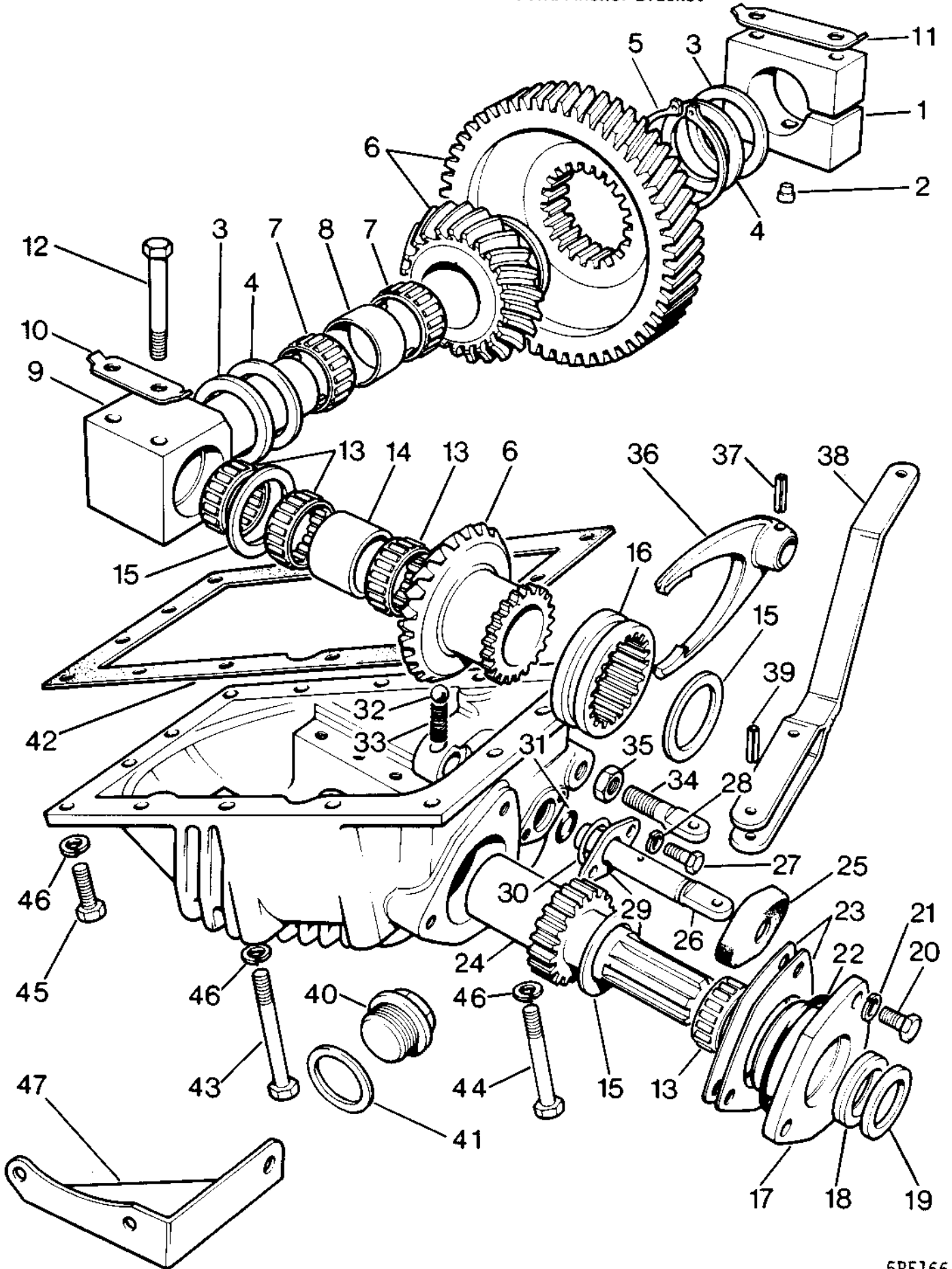


CAPSTAN WINCH—Universal Swivel and Spreader Plates

Plate Ref.	1	2	3	4	DESCRIPTION	Qty.	Part No.	REMARKS
1					Universal swivel complete	1	598674*	
2					SWIVEL HOUSING ASSEMBLY	1	598669*	
3					Plunger	1	581933*	
4					Spring	1	582214*	
5					Cap	1	582353*	
6					Spring pin	1	582236*	
7					Bolt (M6×16) } Fixing cap	2	890087*	
8					Spring washer } to housing	2	810005	
9					Front spreader plate	1	582492*	
10					Vertical stiffener, outer	1	598672*	
11					Vertical stiffener, inner	1	598673*	
12					Bolt (M10×120) } Fixing swivel housing	2	BH110241	
13					Bolt (M10×40) } spreaders and stiffeners	4	BH110081	
14					Set screw (M10×25) } to No 1 crossmember	3	SH110251	
15					Plain washer }	2	WC110061	
16					Spring washer }	7	810003	
17					Nut (M10) .. }	5	853031	
18					Rear spreader plate	1	582391	
19					Plunger .. } On LH bumperette	1	581933*	
20					Spring .. } for swivel location	1	582214*	
21					Spring pin .. }	1	582236*	

* Asterisk indicates a new part which has not been used on any previous model.

CAPSTAN WINCH—Drive Unit and Anchor Bracket



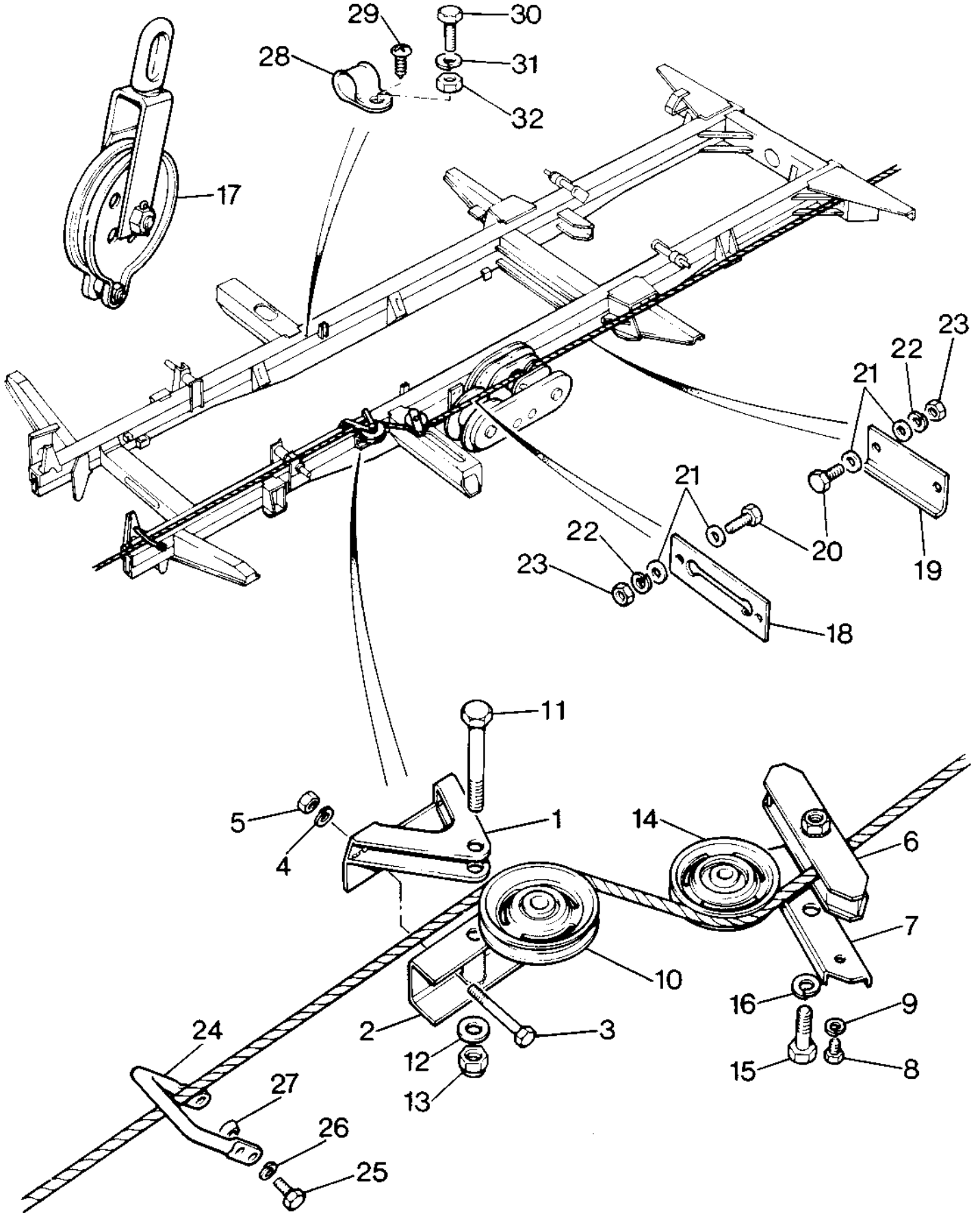
5RE166

CAPSTAN WINCH—Drive Unit and Anchor Bracket

Plate Ref.	1	2	3	4	DESCRIPTION	Qty	Part No.	REMARKS
					WINCH DRIVE UNIT COMPLETE	1	591744*	
1					Support block cross shaft	1	591809*	
2					Dowel, support block	2	571134	
3					Thrust washer, 3-32 mm thick	2	591799*	
					Thrust washer, 3-47 mm thick	2	591800*	
					Thrust washer, 3-62 mm thick	2	591801*	
					Thrust washer, 3-85 mm thick	2	591802*	
4					Thrust bearing, cross shaft	2	591806*	
5					Circlip, locating gear set	1	591504*	
6					Gear set, winch drive	1	608409*	
7					Roller bearing	4	591814*	
8					Bearing spacer, cross shaft	1	591808*	
9					Cross shaft	1	591796*	
10					Double tab washer, small, cross shaft	1	591810*	
11					Double tab washer, large, support block	1	591811*	
12					Bolt (M10) coarse thread	4	869835*	
13					Roller bearing, cross shaft and output shaft	4	591807*	
14					Bearing spacer	1	591815*	
15					Thrust bearing	3	591813*	
16					Sliding dog clutch	1	591816*	
17					Bearing support	1	591818*	
18					Oil seal	1	591819*	
19					Mudshield	1	591820*	
20					Screw (M8×20)	3	889861	} Fixing bearing support to casing
21					Spring washer	3	810004	
22					'O' ring, end cap	1	594303	
23					Shim, 0-1 mm thick, end cap	A/R	594301*	
					Shim, 0-3 mm thick, end cap	A/R	594302*	
24					Output shaft	1	591812*	
25					Grommet	1	591826*	
26					Selector shaft	1	591823*	
27					Screw (M6×12)	2	890065	} Fixing sealing plate
28					Spring washer	2	WM106001	
29					Sealing plate	1	591825*	
30					Joint washer	1	591824*	
31					'O' ring	1	571991	
32					Ball, detent	1	571146	
33					Spring, detent	1	593802	
34					Pivot pin	1	576303	
35					Locknut (M10), pivot pin	1	NT110041	
36					Selector fork	1	591822*	
37					Spring pin, selector fork	1	571158	
38					Operating lever	1	594249*	
39					Spring pin, fixing operating lever	2	571618	
40					Drain plug, drive unit	1	90571104*	
41					Joint washer for drain plug	1	213964	
42					Joint washer for drive unit	A/R	571948	
43					Bolt (M8×100)	2	897131*	} Winch drive to gearbox casing
44					Bolt (M8×75)	1	897095*	
45					Screw (M8×25)	11	SH108251*	
46					Spring washer	14	810004	
47					Anchor bracket, winch cable	1	594250*	

* Asterisk indicates a new part which has not been used on any previous model.

WINCH—Pulleys and Brackets

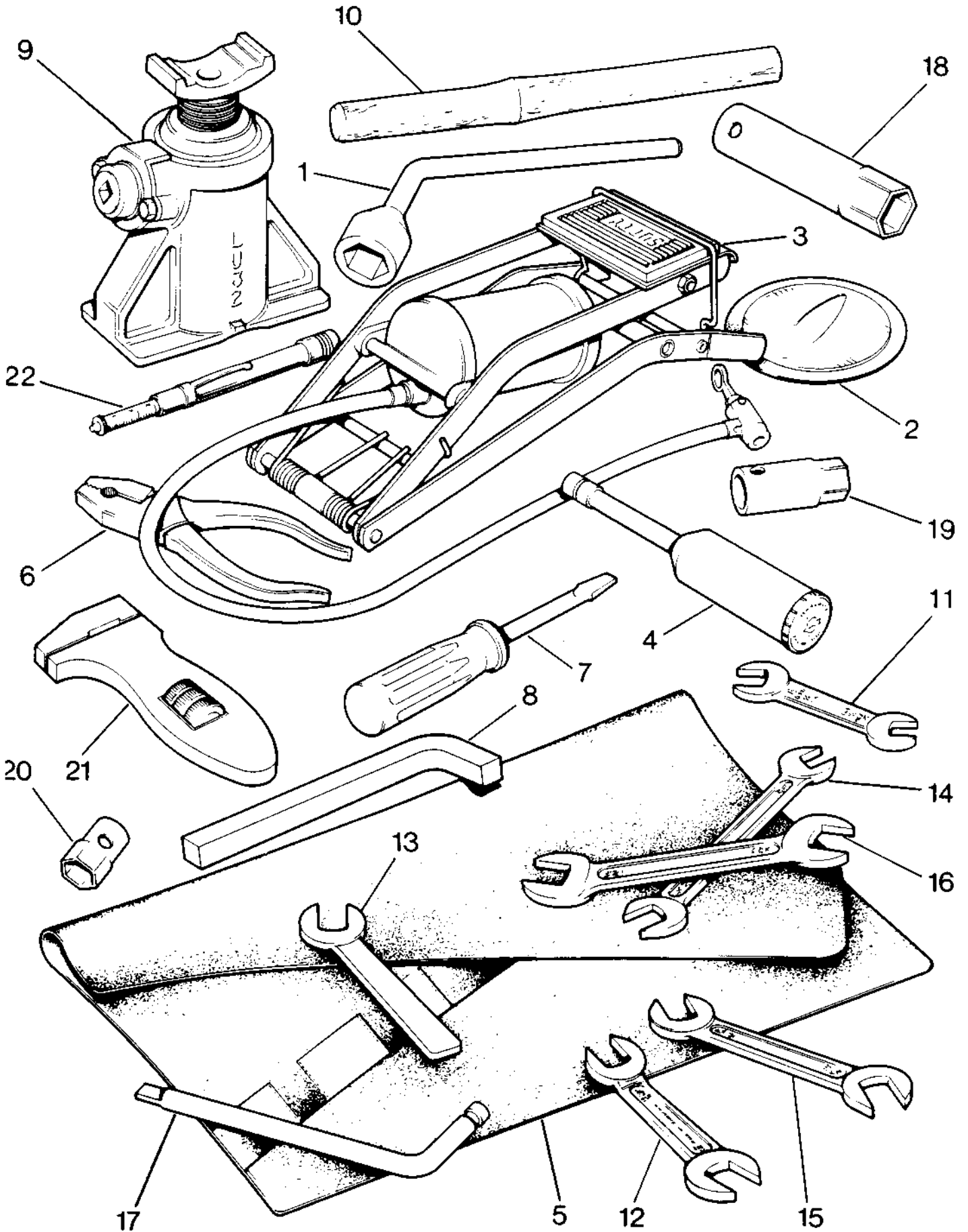


WINCH—Pulleys and Brackets

Plate Ref.	1	2	3	4	DESCRIPTION	Qty	Part No.	REMARKS
1					Pulley bracket, upper	1	598971*	
2					Pulley bracket, lower	1	582626*	
3					Bolt (M10×100) } Fixing bracket to chassis sidemember	2	BH110201*	
4				Spring washer		2	810003	
5				Nut (M10)		2	853031	
6					Pulley bracket rear	1	598665*	
7					Support channel	1	582377*	
8					Set bolt (M8×12) } Fixing pulley bracket rear and support channel to chassis out- rigger	2	SH108121	
9				Spring washer		2	WL108001	
10					Pulley	1	582226	
11					Bolt (M16×120) } Fixing pulley to bracket upper	1	BH116241	
12				Plain washer		1	WA116101	
13				Self-locking nut, M16		1	810501	
14					Pulley	1	NRC1994*	
15					Set bolt (M16×55) } Fixing pulley to bracket rear	1	893195*	
16				Spring washer		1	810001	
17					Pulley block	1	RTC7034*	Packed in tool kit
18					Protection plate } For winch cable	1	398292*	
19				Rubbing plate		1	398293*	
20					Set screw (M6×16) } Fixing protection and rubbing plates to floor frame	4	SH106161	
21				Plain washer		8	851007*	
22				Spring washer		4	810005*	
23				Nut (M6)		4	853057	
24					Guard for winch cable	1	598884*	} L.H. Stg only
25					Bolt (M6×16) } Fixing guard to L.H. sidemember	4	SH106161	
26				Spring washer		4	810005	
27				Captive nut (M6)		4	90811937	
28					'P' clip for winch cable	2	50639	
29					Drive screw clip to R.H. sidemember	1	72626	
30					Set screw (M5×14) } Fixing clip to engine mounting bracket, R.H.	1	890311	
31				Spring washer		1	WM105001	
32				Nut (M5)		1	853061	

* Asterisk indicates a new part which has not been used on any previous model.

TOOLS FOR B.A.C. VEHICLES



5RE383

TOOLS FOR B.A.C. VEHICLES

Plate									
Ref.	1	2	3	4	DESCRIPTION	Qty	Part No.	REMARKS	
1					Wrench for road wheel nuts	1	569687		
2					Licence holder	1	544573		
3					Foot pump	1	GAT 601		
4					Grease gun	1	503424		
5					Tool roll	1	219704		
6					Combination pliers	1	2703		
7					Screw driver—dual purpose	1	565770		
8					Drain plug wrench, for Salisbury axles	1	NRC1081		
9					Triple lift jack	1	592220		
10					Handle for shaft	1	543301		
11					Double end spanner ($\frac{3}{8}$ " \times $\frac{1}{2}$ ")	1	2705		
12					Double end spanner ($\frac{1}{8}$ " \times $\frac{7}{8}$ ")	1	230736		
13					Single end spanner ($\frac{3}{8}$ ")	1	277320		
14					Double end spanner ($\frac{1}{2}$ " \times $\frac{7}{8}$ " A/F)	1	276396		
15					Double end spanner ($\frac{5}{8}$ " \times $\frac{3}{4}$ " A/F)	1	276397		
16					Double end spanner ($\frac{1}{2}$ " \times $\frac{3}{4}$ " A/F)	1	277217		
17					Tommy bar for box spanners	1	565443		
18					Box spanner, for sparking plug (14 mm)	1	565434		
19					Tubular extension for plug spanner	1	276323		
20					Box spanner	1	RTC639		
21					Adjustable spanner (6")	1	2707		
22					Tyre pressure gauge	1	562019		

NUMERICAL INDEX

Part No.	Page No.	Part No.	Page No.	Part No.	Page No.
2203	31 57	50183	30 49	147990	32 05
2204	30 23	50446	30 49	212919	31 55
2205	30 37	50447	31 47	213340	31 41
2251	30 05	50639	31 05	213959	31 65
2266	32 07	52459	30 65	213964	30 57
2285	32 81	56667	32 21	214649	31 31
2289	32 77			214662	31 43
2390	31 05	72626	31 05	214685	31 39
2393	31 47	77704	31 57	214795	30 65
2428	32 77	77707	32 59	216912	30 49
2703	33 39	77789	32 39	216914	30 49
2705	33 39	77903	32 57	216962	30 77
2707	33 39	77919	31 75	217268	31 21
2920	30 13	77941	32 21	217325	30 73
2975	33 17	78001	32 37	217330	30 73
2982	30 61	78120	33 09	217500	32 07
		78126	33 15	218386	31 59
3021	31 59	78136	32 39	219676	32 31
3036	31 59	78140	32 53	219704	33 39
3052	30 47	78159	32 59	219714	30 83
3101	31 81	78160	32 59	219721	30 83
3127	31 43	78193	32 07	219797	30 83
3290	30 53	78237	33 09		
3292	30 59	78248	32 81	230294	31 41
3299	31 59	78257	32 55	230736	33 39
3414	30 17	78319	30 61	230759	31 41
3609	30 73	78321	31 65	230760	31 41
3621	31 57	78410	32 51	231190	31 81
3817	32 37	78415	32 19	231578	30 07
3830	30 35	78460	33 13	232038	31 21
3843	32 59	78494	30 61	232043	30 21
3890	31 81	78522	33 09	233220	30 49
3900	32 73	78527	33 19	233246	31 09
3902	31 77	78628	32 59	233274	31 49
3911	30 29	78631	32 71	233879	31 55
3912	30 15	78652	31 81	234213	32 19
3958	30 79	78698	31 05	234889	31 53
3966	32 81	78782	30 13	234957	31 55
		78788	32 73	236022	30 21
		78792	32 57	236390	32 39
4032	31 81	78861	30 29	239673	30 41
4034	33 09	78862	30 29	239710	31 71
4047	30 35	78867	32 49	239715	31 71
4094	30 37	78921	33 13		
4170	32 25	79049	32 15	240429	32 29
4261	31 29	79123	30 49	240430	32 31
4355	33 25	79125	31 51	240431	32 15
4557	31 13	79127	31 45	242117	31 55
4592	32 59	79142	30 29	242522	31 25
4594	30 35	79174	32 25	243967	30 15
4870	32 77	79194	33 09	243968	30 15
4873	30 13	79246	32 73	244009	31 71
4878	31 49	79277	32 53	247766	30 13
4887	32 59	79289	32 53		
4898	32 81	79292	32 65	252161	30 49
		79305	32 69	252162	31 25
		79312	32 73	252163	31 59
6009	30 57			252512	31 75
6395	30 45	80680	30 79	252513	30 05
6860	32 21	84220	32 29	252514	30 21
		84221	32 29	252516	30 31
9203	31 59			252775	30 67
		92563	32 73	253007	30 21
11676	32 29	92575	32 55	253026	30 35
				253027	30 83
41379	31 49	139082	30 49		

NUMERICAL INDEX

Part No.	Page No.	Part No.	Page No.	Part No.	Page No.
253029	30 37	268631	32 19	345434	32 57
253046	31 05	269783	30 49	345498	32 57
253047	32 15			345699	32 51
253048	30 25	271379	31 39	346046	32 77
253051	32 13	271384	31 39	346072	32 65
253067	30 05	272596	30 81	346139	32 77
253206	30 13	272712	31 47	346140	32 77
253964	32 07	272714	30 47	346195	32 65
253965	32 07	273595	30 73	346211	32 37
254001	30 31	275744	31 55	346399	32 61
254005	30 15	276323	33 39	347541	33 09
254007	30 31	276396	33 39	347562	32 61
254008	30 31	276397	33 39	347563	32 61
254009	30 15	276483	31 25	347594	32 47
254010	30 15	277217	33 39	348066	32 29
254021	31 75	277320	33 39	348430	33 09
254022	30 31	277502	30 39	348434	32 23
254028	32 07	279129	31 59	348943	32 63
254029	32 07			349171	33 09
254030	30 13	301005	33 07	349202	33 09
254031	30 37	301238	32 77	349931	33 09
254037	30 31	302825	32 77		
254038	30 31	302828	32 77	395078	32 47
254041	30 23	306471	32 51	395104	32 69
254043	30 23	306564	32 81	395143	32 51
254045	30 37	308792	32 65	395294	32 47
254051	30 37			395295	32 47
254805	31 33	312712	32 59	395541	32 57
254810	32 57			396116	32 55
254812	31 47	320045	32 73	398041	33 05
254813	32 59			398042	33 05
254822	31 49	330162	32 59	398043	33 05
254824	30 37	330399	32 77	398044	33 05
254831	30 09	330422	32 77	398046	32 69
254854	30 41	330622	33 05	398094	32 71
254855	31 33	330623	33 05	398095	32 71
254858	31 39	331071	33 09	398098	32 69
254861	33 09	331102	33 09	398099	32 69
254862	31 43	331103	33 09	398103	32 73
254877	32 07	331104	33 09	398104	32 69
254881	30 35	331221	33 05	398105	32 69
255029	30 49	331466	33 09	398111	32 71
255089	30 37	331709	33 09	398124	32 71
255202	30 05	331978	33 05	398125	32 71
255239	30 35	332445	32 77	398170	32 69
255445	30 45	332446	32 77	398171	32 69
255466	30 45	332605	33 05	398172	32 69
256024	30 09	332670	32 81	398173	32 79
256027	30 35	332674	31 65	398174	32 79
256083	30 37	333140	32 47	398183	32 79
256205	32 57	333202	32 73	398184	32 79
256220	32 07	334121	32 77	398185	32 79
256222	30 09	334525	32 51	398186	32 79
256443	31 49	335741	32 57	398187	32 79
257020	30 39	335772	32 61	398188	32 79
257023	30 39	336352	32 65	398189	32 75
257064	30 21	336441	32 23	398194	32 79
257123	31 77	337158	33 05	398195	32 79
257401	30 41	337806	32 57	398196	32 79
		337873	33 09	398197	32 73
		337899	33 09	398198	32 73
261857	31 39	338015	32 21	398209	32 75
261858	31 39	338020	31 07	398210	32 75
264579	32 19	338028	32 61	398211	32 75
266339	30 29			398212	32 75
267494	31 79	345188	32 59	398213	32 75
268616	32 19	345433	32 57		

NUMERICAL INDEX

Part No.	Page No.	Part No.	Page No.	Part No.	Page No.
398214	32 77	398497	32 71	399041	31 09
398225	32 77	398498	32 71	399042	31 09
398226	32 77	398620	32 49	399058	33 13
398230	32 77	398621	32 49	399065	32 53
398232	32 77	398641	32 49	399115	32 59
398233	32 77	398642	32 47	399116	32 59
398234	32 77	398643	32 47	399117	32 59
398235	32 77	398713	32 61	399118	32 59
398236	32 77	398718	32 61	399119	32 59
398237	33 05	398721	32 47	399120	32 59
398243	33 05	398725	32 21	399121	32 59
398244	33 05	398726	32 21	399214	32 51
398245	33 05	398729	33 15	399216	32 51
398252	33 05	398730	33 15	399217	32 59
398253	33 05	398740	32 49	399218	32 59
398259	32 59	398741	32 49	399220	32 73
398260	32 59	398755	32 59	399221	32 49
398261	32 59	398756	32 59	399222	32 73
398262	32 59	398757	32 59	399223	32 53
398263	32 59	398758	32 59	399224	32 53
398264	32 59	398761	32 57	399225	32 53
398269	32 59	398762	32 57	399226	32 49
398274	32 59	398776	32 51	399227	32 73
398275	32 59	398777	32 51	399234	32 55
398276	32 71	398780	32 47	399235	32 55
398282	33 35	398781	32 47	399236	32 55
398293	33 35	398800	32 51	399247	32 63
398306	32 69	398801	32 51	399248	32 63
398307	32 69	398804	32 53	399253	32 51
398308	32 75	398805	32 53	399254	32 51
398323	32 73	398809	32 53	399257	32 51
398330	32 71	398810	32 53	399263	32 51
398331	32 77	398815	32 59	399300	32 47
398367	32 77	398816	32 59	399301	32 47
398368	32 79	398827	32 61	399304	33 15
398373	32 71	398840	32 49	399305	33 13
398375	32 77	398841	32 49	399317	32 53
398376	32 77	398847	32 53	399318	32 53
398377	32 77	398851	32 53	399319	32 51
398380	32 77	398852	32 53	399337	33 05
398383	32 75	398853	32 53	399425	33 17
398384	32 75	398854	32 53	399494	32 49
398395	32 77	398861	32 47	399501	31 57
398397	32 69	398864	32 53	399518	32 57
398398	32 73	398865	32 49	399524	33 19
398406	32 73	398866	32 49	399543	32 51
398413	32 73	398874	31 75	399569	32 59
398414	32 73	398878	31 75	399570	32 49
398426	32 81	398898	32 59	399571	32 49
398429	32 81	398899	32 59	399573	32 53
398439	32 81	398900	32 59	399581	33 05
398440	32 81	398901	32 59	399585	33 19
398441	32 81	398902	32 59	399597	32 51
398454	32 73	398903	32 59	399613	32 53
398455	32 73	398910	32 59	399614	32 53
398456	32 69	398957	32 59	399665	32 55
398457	32 69	398963	32 57	399711	32 55
398458	32 71	398964	32 57	399712	32 55
398459	32 71	398975	32 57	399742	32 69
398465	32 69	398976	32 57	399773	32 59
398466	32 59	398993	32 59	399822	32 73
398490	32 71	398996	32 57	399823	32 73
398491	32 49	398997	32 57	399838	32 55
398492	32 49	398998	32 57	399840	32 55
398493	32 79	399019	32 49	399845	32 61
398494	32 79	399035	32 49	399850	32 61

NUMERICAL INDEX

Part No.	Page No.	Part No.	Page No.	Part No.	Page No.
399860	32 55	543301	33 39	568028	32 29
399861	32 55	543818	31 43	568365	31 77
399866	32 53	543819	31 43	568575	31 79
399886	33 19	544325	30 83	568858	31 43
399913	33 13	544573	33 39	568883	30 49
399917	33 13	545145	32 37	569005	31 43
399926	33 13	545822	31 35	569006	31 81
399927	33 13	545883	32 63	569047	31 65
399928	33 13	547165	32 07	569117	31 05
399936	32 47	548169	31 55	569687	33 39
399937	32 47	549229	31 25	569701	30 49
399962	33 13	549911	30 09		
399972	33 13			571036	30 79
399975	33 13	550873	30 83	571043	30 79
399986	33 19	551232	32 39	571059	30 65
399997	33 19	551407	32 25	571062	30 65
		551508	32 21	571063	30 67
500733	30 31	551601	32 37	571064	30 67
502335	30 47	551984	31 39	571065	30 67
503424	33 39	552338	30 83	571066	30 65
503805	30 67	552605	32 35	571067	30 65
505790	31 53	552631	32 37	571090	30 65
508493	32 37	552765	32 35	571091	30 67
509045	30 73	552772	32 39	571134	30 61
509414	31 49	552804	31 39	571137	30 55
		552819	31 31	571139	30 55
510165	32 19	552848	31 79	571142	30 65
510575	31 55	554286	32 07	571144	30 69
514774	32 19	555779	32 31	571145	30 79
514775	32 19	555835	32 21	571146	30 81
514929	30 41	555863	32 31	571158	33 33
515599	31 81	556239	30 55	571160	30 47
517689	30 15	556508	31 55	571161	30 47
519323	32 27	556633	30 75	571163	30 47
		559052	32 21	571164	30 47
521452	30 39	559322	32 21	571168	30 55
521453	30 39			571174	30 73
521522	31 39	560404	32 23	571175	30 73
522932	30 21	560545	32 19	571177	30 73
526505	31 35	560578	32 31	571187	30 67
528702	31 21	560656	32 39	571439	30 79
528747	30 77	560761	32 21	571452	30 65
529718	31 57	560787	32 37	571453	30 65
529719	31 05	560918	32 21	571454	30 65
529958	32 19	561699	30 69	571455	30 65
		562019	33 39	571468	30 77
531587	32 37	562106	30 39	571483	30 67
531888	31 55	562481	30 39	571502	30 55
531889	31 55	562823	31 71	571536	30 61
531893	31 55	562978	30 49	571537	30 57
532323	30 71	562979	31 65	571538	30 57
532747	32 37	563318	32 35	571618	33 33
533358	30 57	564717	31 65	571661	30 83
533765	30 77	564718	31 65	571665	30 77
534790	31 79	564719	31 65	571682	30 77
534907	32 15	564724	31 65	571723	30 67
536126	32 19	564741	31 65	571821	31 19
537761	31 49	565233	32 19	571837	30 57
539742	31 21	565434	33 39	571838	30 67
		565443	33 39	571841	30 57
540530	30 77	565638	31 45	571845	30 59
540688	30 33	565668	31 45	571846	30 59
540870	31 81	565770	33 39	571858	30 73
541215	31 77	566222	30 05	571875	30 73
541229	31 05	566580	31 81	571876	30 61
541343	30 39	567972	32 29	571881	30 83
541942	31 39				
543091	30 83				

NUMERICAL INDEX

Part No.	Page No.	Part No.	Page No.	Part No.	Page No.
571885	30 69	576368	30 69	589329	32 25
571930	30 67	576369	30 69	589331	32 37
571931	30 65	576370	30 69	589333	32 39
571940	30 61	576627	30 77	589339	32 21
571944	30 57	576656	30 79	589353	32 29
571947	30 61	576683	30 71	589383	32 29
571948	30 59	576723	30 47	589460	32 39
571953	30 73	576779	30 81	589462	32 29
571956	30 73	576825	31 23	589469	32 35
571957	30 73	576843	30 61	589470	30 15
571959	30 61	577137	31 59	589471	32 35
571962	30 79	577271	31 05	589495	32 39
571969	31 61	577320	31 39	589497	32 21
571970	30 77	577354	31 59	589501	32 37
571971	31 61	577844	31 45	589503	32 37
571975	30 77	578086	31 45	589506	32 33
571977	30 59	578145	31 57	589507	32 33
571979	30 61	579006	32 21	589508	32 21
571980	30 81	579007	32 21	589527	32 21
571981	30 81	579037	32 25	589528	32 21
571982	30 81	579038	32 25	589529	32 39
571983	30 81	579121	32 23	589543	32 37
571991	30 73	579122	32 23	589550	32 31
572121	30 05	579129	32 23	589560	32 25
572122	30 05	579225	32 23	589561	32 25
572295	31 81	579226	32 25	589577	32 31
572541	31 51	579306	32 37	589595	32 37
572925	32 55	579311	32 39	589596	32 35
573260	32 29	579324	31 81	589599	32 37
575047	32 27	579332	32 25	589643	32 37
575221	32 23	579349	32 21	589665	32 31
576105	30 57	579356	32 33	589687	32 35
576137	30 47	579373	32 25	589714	32 05
576147	30 61	579375	31 81	589747	32 27
576149	30 81	579378	32 33	589807	32 33
576195	30 57	579452	32 31	589808	32 33
576203	30 47			589809	32 37
576214	30 53	581933	33 31	589810	32 37
576220	30 57	582126	33 29	589816	32 11
576288	31 23	582198	33 29	589817	32 11
576294	31 19	582201	33 29	589877	32 19
576303	33 33	582207	33 29		
576317	30 83	582214	33 31	591231	30 47
576319	30 83	582226	33 35	591271	30 69
576320	30 83	582236	33 31	591290	30 57
576340	30 55	582353	33 31	591320	30 79
576342	30 55	582377	33 35	591345	30 73
576343	30 69	582391	33 31	591394	30 55
576344	30 81	582492	33 31	591479	30 79
576351	30 69	582626	33 35	591504	33 33
576352	30 69	582760	33 29	591603	30 61
576353	30 69	586194	32 39	591744	33 33
576354	30 69	587477	30 29	591796	33 33
576355	30 69	589027	32 21	591799	33 33
576356	30 69	589063	31 05	591800	33 33
576357	30 69	589172	32 37	591801	33 33
576358	30 69	589189	32 21	591802	33 33
576359	30 69	589196	32 23	591806	33 33
576360	30 69	589258	32 25	591807	33 33
576361	30 69	589266	32 21	591808	33 33
576362	30 69	589315	32 37	591809	33 33
576363	30 69	589316	32 37	591810	33 33
576364	30 69	589322	31 81	591811	33 33
576365	30 69	589324	32 27	591812	33 33
576366	30 69	589325	32 27	591813	33 33
576367	30 69	589326	32 21	591814	33 33

NUMERICAL INDEX

Part No.	Page No.	Part No.	Page No.	Part No.	Page No.
591815	33 33	593706	30 77	593899	31 25
591816	33 33	593707	30 77	593900	31 23
591818	33 33	593708	30 77	593901	31 23
591819	33 33	593709	30 77	593965	31 23
591820	33 33	593710	30 77	593976	30 81
591822	33 33	593711	30 77	593977	30 81
591823	33 33	593712	30 77	593981	30 81
591824	33 33	593713	30 77	593983	30 81
591825	33 33	593714	30 77	593991	30 79
591826	33 33	593715	30 77	594018	30 65
591888	30 71	593716	30 77	594019	30 65
591891	30 71	593717	30 77	594020	30 65
591896	30 71	593732	31 21	594021	30 65
591897	30 71	593733	31 21	594022	30 65
591898	30 71	593734	31 21	594023	30 65
591899	30 71	593780	30 57	594024	30 65
591900	30 71	593781	31 15	594026	31 61
591988	30 47	593802	30 81	594029	30 77
592007	31 45	593803	31 19	594086	30 51
592219	32 65	593806	31 19	594087	30 51
592220	33 39	593807	31 23	594089	30 79
592325	30 49	593808	31 23	594090	31 21
592358	30 49	593814	30 67	594091	30 47
592494	31 81	593815	30 67	594100	30 79
592634	31 33	593816	30 67	594111	30 79
592635	31 33	593817	30 67	594134	30 51
592644	31 33	593818	30 67	594176	30 47
592698	31 29	593819	30 67	594189	30 79
592703	31 39	593820	30 67	594232	31 09
592733	31 43	593821	30 67	594233	31 09
592736	31 29	593838	31 19	594244	30 69
592737	31 29	593839	31 19	594245	30 69
592740	31 29	593852	31 13	594249	33 33
592741	31 29	593854	31 21	594250	33 33
592743	31 33	593855	31 21	594290	30 71
592747	31 29	593856	31 21	594291	30 67
592753	31 29	593857	31 21	594292	30 65
592789	31 69	593858	31 21	594301	33 33
592790	31 69	593859	31 21	594302	33 33
592794	31 71	593862	31 19	594303	33 33
592795	31 75	593863	31 23	594337	30 73
592844	32 45	593866	31 53	594338	30 77
592855	32 45	593869	31 19	594340	30 75
592856	32 45	593870	31 23	594389	30 69
592858	32 45	593871	31 19	594434	30 79
592859	32 45	593872	31 23	594469	30 61
592861	32 45	593873	31 23	594471	30 61
592883	31 75	593874	31 53	594657	30 49
592917	31 47	593876	31 19	594686	30 49
592926	31 35	593877	31 19	594727	30 83
593619	30 67	593878	31 19	594730	30 83
593645	30 65	593879	31 19	594738	31 33
593688	31 21	593880	31 19	594739	31 33
593693	31 21	593881	31 19	594769	32 45
593694	30 77	593882	31 19	594784	30 63
593695	30 77	593883	31 19	594788	30 63
593696	30 77	593884	31 19	594872	31 47
593697	30 77	593885	31 19	594873	31 47
593698	30 77	593886	31 19	594902	30 39
593699	30 77	593889	31 15	594905	30 39
593700	30 77	593890	31 61	594988	30 41
593701	30 77	593891	31 23	594990	30 41
593702	30 77	593893	31 21	594991	30 41
593703	30 77	593894	31 21	594992	30 41
593704	30 77	593897	31 55	595019	32 45
593705	30 77	593898	31 25	595020	32 45

NUMERICAL INDEX

Part No.	Page No.	Part No.	Page No.	Part No.	Page No.
595120	32 65	596840	30 27	599642	30 57
595145	31 05	596841	30 27	599660	30 71
595149	31 05	598006	30 21	599995	30 77
595150	31 05	598231	30 29		
595151	31 05	598506	31 13		
595154	31 05	598508	31 45	600207	31 53
595155	31 05	598512	32 65	600208	31 55
595169	31 05	598515	32 65	600210	31 53
595171	31 05	598565	31 59	600212	31 53
595173	31 05	598567	31 15	600265	31 39
595176	31 05	598630	31 69	600801	32 07
595178	31 05	598665	33 35	600825	32 07
595190	31 65	598669	33 31	600833	32 07
595195	31 39	598672	33 31	600855	32 19
595196	31 39	598673	33 31	601611	30 49
595224	31 39	598674	33 31	601643	32 07
595229	31 29	598692	30 49	601644	32 07
595230	31 07	598693	30 49	601645	32 07
595231	31 81	598701	32 39	601646	32 07
595232	31 81	598702	32 39	601648	32 07
595233	31 79	598703	31 09	601930	31 47
595235	31 81	598711	31 47	602017	30 15
595236	31 79	598748	30 83	602018	30 15
595237	31 29	598749	30 83	602040	30 27
595238	31 29	598801	31 69	602046	30 09
595258	31 65	598825	31 69	602052	30 27
595259	31 65	598832	31 65	602061	30 11
595275	30 49	598834	31 65	602067	30 15
595279	31 65	598838	31 05	602071	30 15
595284	31 71	598841	31 05	602076	30 23
595366	31 59	598842	31 05	602082	30 11
595372	31 59	598843	31 05	602097	30 17
595373	31 59	598867	33 25	602098	30 27
595412	31 45	598884	33 35	602123	30 27
595413	31 45	598902	31 45	602130	30 05
595417	31 45	598920	31 49	602141	30 05
595418	31 45	598922	33 23	602142	30 17
595420	30 49	598923	30 41	602146	30 05
595421	31 45	598928	31 49	602147	30 05
595423	31 45	598952	31 81	602148	30 17
595425	30 49	598967	32 45	602149	30 19
595427	31 49	598971	33 35	602152	30 21
595429	31 49	598997	31 45	602153	30 17
595431	30 49	598998	31 45	602154	30 17
595438	31 49	599002	31 47	602159	30 19
595439	31 49	599003	31 47	602165	30 27
595443	31 51	599007	31 47	602166	30 27
595444	31 51	599017	31 29	602172	30 17
595447	30 49	599169	31 49	602180	30 13
595461	31 57	599201	31 49	602186	30 17
595462	31 57	599288	32 45	602187	30 17
595470	31 47	599289	32 45	602191	30 27
595471	31 49	599318	33 25	602192	30 27
595476	33 23	599324	32 35	602193	30 27
595478	31 15	599395	31 29	602199	30 07
595484	32 65	599398	31 29	602201	30 13
595485	32 65	599402	31 39	602202	30 13
595486	32 65	599403	31 39	602212	30 05
595487	32 65	599443	31 49	602223	30 27
595488	32 65	599488	31 43	602224	30 27
595489	32 65	599489	31 39	602227	30 19
595490	32 65	599496	31 43	602236	30 23
595491	32 65	599497	31 43	602240	30 17
595492	32 65	599552	30 57	602241	30 17
595493	32 61	599564	31 13	602289	30 27
595496	32 63	599575	30 61	602388	30 13

NUMERICAL INDEX

Part No.	Page No.	Part No.	Page No.	Part No.	Page No.
602397	32 15	606743	31 61	608232	31 39
602411	30 09	606744	31 61	608233	31 39
602505	30 35	606745	31 61	608235	31 39
602530	30 29	606746	31 61	608237	31 39
602545	30 05	606747	31 61	608246	31 13
602587	30 09	606748	31 61	608247	31 13
602609	30 11	606749	31 61	608250	31 15
602610	30 19	606750	31 61	608352	32 11
602915	30 05	606751	31 61	608409	33 33
603031	30 27	606826	32 05	608417	30 57
603127	30 29	606828	32 05	608420	31 13
603143	30 05	606832	32 05	608585	30 05
603186	30 21	606835	32 05		
603224	30 21	606837	32 05	610030	30 13
603237	30 39	606962	30 11	610178	30 09
603301	30 09	606964	30 11	610289	30 19
603330	31 75	607065	31 39	610327	31 75
603376	31 75	607082	31 39	610333	31 77
603378	30 17	607163	31 13	610336	31 77
603408	30 21	607164	31 17	610508	32 07
603441	30 21	607165	31 17	610757	30 11
603446	32 13	607167	31 17	610849	31 77
603454	30 11	607168	31 17	610915	30 15
603521	30 15	607169	31 17	610988	30 13
603523	30 09	607173	31 13	611015	31 77
603524	30 09	607174	31 13	611019	30 09
603525	30 09	607177	31 17	611026	31 77
603526	30 09	607178	31 17	611089	30 05
603535	30 09	607179	31 17	611108	31 75
603546	32 15	607180	31 17	611113	31 75
603554	30 27	607181	31 13	611114	31 75
603561	30 21	607182	31 13	611324	30 45
603622	30 39	607183	31 13	611349	30 39
603659	30 07	607185	31 13	611351	31 75
603672	30 29	607186	31 15	611409	30 05
603724	30 19	607187	31 17	611482	30 11
603734	30 17	607188	31 17	612320	31 77
603775	30 13	607189	31 17	612326	30 31
603851	30 21	607190	31 17	612817	30 29
603887	31 65	607191	31 17	612819	30 29
603890	31 81	607197	31 17	612821	30 29
603901	31 81	607347	30 45	612822	30 29
603920	30 21	607351	31 23	612871	30 13
605217	32 13	607357	31 13	612898	30 05
605512	31 39	607358	31 17	612905	31 75
605841	31 77	607359	31 13	612943	31 75
605857	31 77	607365	31 53	612980	30 07
606168	31 75	607366	31 53	612990	30 09
606204	31 79	607430	30 05	613005	30 09
606256	32 35	607441	30 57	613016	32 07
606339	32 07	607726	31 47	613020	32 07
606406	31 47	607808	31 53	613138	30 35
606421	31 47	607991	31 39	613211	30 37
606472	30 69	607992	31 39	613213	30 37
606473	30 73	607993	31 39	613514	31 77
606474	31 19	608002	30 29	613620	30 35
606651	31 25	608003	30 29	613669	30 09
606653	31 25	608037	30 05	613671	30 09
606661	30 17	608104	31 75	613672	30 23
606733	30 47	608142	30 75	613784	32 07
606737	31 61	608143	30 75	613785	32 07
606738	31 61	608194	32 13	613786	31 79
606739	31 61	608197	32 13	613792	30 05
606740	31 61	608229	31 39	613805	32 15
606741	31 61	608230	31 39	613808	30 33
606742	31 61	608231	31 39	613824	31 77

NUMERICAL INDEX

Part No.	Page No.	Part No.	Page No.	Part No.	Page No.
613825	31 77	623234	33 13	811922	33 29
613857	32 13	623235	33 13	811935	33 13
613910	30 41	623287	32 31	811948	32 81
613915	30 41	623288	32 31		
613916	30 41	624017	31 43	850005	33 13
613991	30 05	624018	31 39	850021	31 31
614159	30 35	624060	31 49	850421	31 39
614161	31 75	624130	31 33	850425	31 43
614179	32 13	624190	31 47	850601	31 31
614190	31 77	624199	33 23	850801	30 79
614235	32 15	624221	31 79	850815	31 21
614236	32 15	624239	30 49	850817	32 53
614237	31 75	624285	30 39	850827	31 57
614238	32 15	624286	30 39	850837	32 73
614239	32 15	624288	31 39	850841	32 61
614255	32 15	624289	31 43	850847	32 31
614368	30 33	624290	31 43	851001	30 39
614370	30 33	624291	31 39	851005	32 81
614410	30 35	624292	31 43	851007	33 05
614435	30 23	624293	31 43	851017	32 75
614465	32 07	624294	30 83	851031	32 53
614467	32 07	624295	30 83	851041	30 49
614533	32 07	624319	31 39	851047	30 41
614534	32 07	624361	31 67	851201	33 15
614535	32 07	624425	31 81	851202	32 55
614585	30 05			851211	32 65
614592	32 13	707015	32 55	851252	32 55
614593	32 13	707032	33 17	851301	31 05
614594	32 13	707033	33 17	851307	32 75
614595	32 13	707034	33 17	851311	33 19
614596	32 13	707035	33 17	851401	33 13
614597	32 13	707037	33 17	851407	31 81
614598	32 13	707039	33 17	852071	31 29
614601	30 05			852431	32 81
614639	30 27	800005	31 23	852467	31 43
614640	30 27	800006	31 29	852835	30 39
614641	30 27	800009	33 05	853011	30 53
614642	30 27			853021	30 53
614723	30 33	810001	33 35	853031	33 25
614780	30 83	810002	30 63	853037	32 45
614789	31 75	810003	32 59	853041	30 35
614790	31 75	810004	32 77	853045	32 45
614791	30 61	810005	30 47	853047	31 57
614820	30 11	810006	33 17	853051	30 51
614822	30 11	810007	32 19	853055	33 19
614872	30 31	810022	33 25	853061	33 17
614938	30 35	810023	33 25	853067	30 41
		810024	31 41	853071	31 05
622141	31 09	810025	32 77	853085	33 13
622160	30 65	810026	32 79	853171	33 23
622165	30 65	810065	32 81	853195	31 47
622188	31 23	810500	33 29	853771	31 31
622219	30 61	810501	30 73	853775	31 43
622300	30 83	810502	30 83	854011	32 31
622301	30 83	810503	31 81	854021	32 49
622302	30 83	810504	32 69	854031	33 19
622304	30 83	810505	32 35	854037	32 25
622324	30 61	810509	31 33	854047	32 75
622387	30 83	811582	32 65	854051	32 77
622388	30 79	811586	32 55	854322	32 81
622538	30 67	811595	32 49	854862	32 71
623052	32 21	811720	31 21	854863	32 71
623065	32 31	811853	32 71	854874	32 71
623091	32 29	811862	32 47	854969	32 69
623125	32 33	811880	32 73		
623126	32 55	811895	32 51	869835	33 33

NUMERICAL INDEX

Part No.	Page No.	Part No.	Page No.	Part No.	Page No.
879077	33 05	896541	30 53	ERC1615	32 15
879251	32 61	896651	33 23	ERC1616	32 15
879411	32 63	896755	30 75	ERC1617	32 15
		896805	30 75	ERC1618	32 15
880191	30 61	896881	33 25	ERC1619	32 15
880511	32 25	897001	32 45	ERC1620	32 15
880527	32 35	897081	32 61	ERC1621	32 15
880547	32 25	897095	33 33	ERC1622	32 15
880567	32 35	897121	31 65	ERC1623	32 15
880791	31 81	897131	32 45	ERC1637	30 17
880827	32 19	897261	33 19	ERC2194	31 77
881181	30 81	897271	32 37	ERC2893	30 31
881387	32 49	897277	30 39		
881687	32 21	897297	32 77	FRC165	30 57
881707	32 75	897317	32 77	FRC209	30 71
881831	32 77	897781	33 13	FRC1341	30 65
885751	31 53			FRC1743	30 69
886021	31 61	AAU1079	32 19	FRC1778	30 57
887827	32 69	AAU1277	31 47		
888021	32 51	AAU1278	31 47	GAT601	33 39
888031	33 09	AAU1393	32 15		
889445	30 63	AAU1394	32 15	GBS550	31 55
889631	32 45	AAU1395	32 15		
889637	32 59	AAU1396	32 15	GCC204	30 45
889645	31 61	AAU1416	32 27		
889661	31 31	AAU1418	32 27	GCL111	32 31
889667	32 51	AAU1425	32 15		
889671	30 57	AAU1506	32 05	GCP240	30 45
889711	31 21	AAU1909	32 27		
889721	31 81	AAU2005	31 77	GCS117	32 13
889825	31 21	AAU2053	32 05		
889851	33 17	AAU2437	31 25	GDC117	32 13
889861	33 33	AAU2438	31 25		
889871	30 79	AAU2439	31 25	GEG165	30 05
889875	30 81	AAU2440	31 25	GEG340	30 27
889881	30 35	AAU2443	31 25	GEG436	30 29
		AAU3911	31 53	GEG539	30 07
890055	30 47	AAU3912	31 53	GEG645	30 23
890061	32 27	AAU7405	32 11	GEG665	30 23
890065	33 33				
890067	33 05	BH106061	31 49	GEX7325	31 71
890071	31 65	BH106121	31 49		
890075	32 45	BH106161	31 51	GFB211	30 33
890077	31 33	BH108101	32 57		
890081	32 73	BH110081	33 31	GFG103	31 23
890087	33 05	BH110108	32 45		
890097	32 79	BH110111	32 45	GFS435	32 31
890101	30 51	BH110131	33 29		
890120	30 69	BH110201	33 35	GGB504	32 05
890141	30 51	BH110241	33 31		
890311	32 61	BH112151	33 23	GHC709	30 23
890312	32 55	BH112281	33 23	GHC811	33 17
890321	30 41	BH116241	33 35	GHC913	31 65
890341	32 55			GHC1217	31 65
890501	32 55	CD31726B	32 21	GHC2228	31 81
890521	31 45	CD31726C	32 21		
890531	33 17			GLB149	32 19
890541	33 13	ERC649	30 21	GLB207	32 19
893195	33 35	ERC813	30 25	GLB227	32 19
893405	31 23	ERC814	30 25	GLB241	32 19
893685	33 29	ERC1195	30 33	GLB281	32 21
896135	33 29	ERC1240	30 15	GLB380	32 19
896321	30 53	ERC1243	30 15	GLB382	32 19
896505	30 83	ERC1244	30 15	GLB650	32 21
896521	33 25	ERC1265	30 15	GLB987	32 21
896535	31 41	ERC1349	32 11	GLB989	32 19

NUMERICAL INDEX

Part No.	Page No.	Part No.	Page No.	Part No.	Page No.
GRA112	32 13	MRC1726	32 49	NRC1221	33 25
GRB203	30 77	MRC1744	32 55	NRC1226	32 45
GRB229	30 47	MRC1813	33 09	NRC1228	32 45
GSB114	32 11	MRC2161	33 17	NRC1236	31 31
GSC108	32 13	MRC2291	32 55	NRC1237	31 31
GTG116	30 23	MRC2292	32 55	NRC1240	31 31
GTS104	30 23	MRC2320	32 47	NRC1241	31 31
GUJ117	31 25	MRC2321	32 47	NRC1243	31 31
GWC301	31 53	MRC2588	32 69	NRC1353	31 05
GWC302	31 53	MRC2609	33 13	NRC1367	31 29
GWC305	31 55	MRC2610	33 13	NRC1368	31 33
GWC306	31 55	MRC2611	33 13	NRC1956	31 49
L92Y	32 13	MRC2664	33 13	NRC1970	31 65
MRC11	33 13	MRC3033	33 05	NRC1972	31 65
MRC23	33 13	MRC3224	32 47	NRC1976	31 45
MRC28	32 55	MRC3231	33 13	NRC1977	31 45
MRC29	32 55	MRC3237	32 47	NRC1978	30 49
MRC30	32 55	MRC3497	33 05	NRC1994	33 35
MRC113	33 17	MRC3498	33 05	NRC2051	33 23
MRC119	32 73	MRC3499	33 05	NRC2128	30 49
MRC161	33 17	MRC3500	33 05	NRC2131	31 49
MRC162	33 17	MRC3518	33 07	NRC2133	31 49
MRC163	33 17	MRC3519	33 07	NT108041	30 49
MRC164	33 17	MRC3977	32 57	NT110041	33 33
MRC165	33 17	MRC3978	32 57	NT112041	33 23
MRC214	32 61	NH103041	31 45	NT606045	31 49
MRC344	32 51	NH104041	30 49	NY104041	31 05
MRC345	32 51	NH105041	32 61	NY108041	31 81
MRC348	32 51	NH106041	31 79	PRC5	32 25
MRC356	32 51	NH108041	30 55	PRC6	32 25
MRC357	32 51	NH112041	33 23	PRC1039	30 73
MRC395	32 55	NH606047	30 63	PRC1057	32 21
MRC1023	32 31	NN106011	31 67	PRC1154	32 37
MRC1024	32 35	NRC4	31 67	PRC1254	31 81
MRC1294	32 61	NRC5	31 67	PRC1417	32 25
MRC1509	32 81	NRC6	31 67	PS103201	31 59
MRC1510	32 81	NRC31	31 49	RTC202	32 27
MRC1513	32 81	NRC97	31 31	RTC324	31 39
MRC1526	32 21	NRC130	31 35	RTC325	31 39
MRC1527	32 21	NRC169	31 41	RTC326	31 39
MRC1528	32 21	NRC170	31 41	RTC430	32 23
MRC1529	32 21	NRC171	31 41	RTC452	32 27
MRC1537	32 53	NRC174	30 39	RTC601	31 59
MRC1538	32 53	NRC216	31 41	RTC608	31 77
MRC1557	32 81	NRC217	31 41	RTC609	30 13
MRC1584	32 51	NRC218	31 41	RTC610	30 21
MRC1597	33 05	NRC239	31 41	RTC611	31 47
MRC1604	32 53	NRC240	31 41	RTC612	32 59
MRC1609	32 81	NRC243	32 45	RTC613	31 59
MRC1610	32 81	NRC248	31 41	RTC616	30 61
MRC1611	32 81	NRC1081	33 39	RTC626	30 49
MRC1658	33 13	NRC1110	31 49	RTC637	31 15
MRC1663	33 13	NRC1131	32 81	RTC639	33 39
MRC1664	32 51	NRC1158	31 13	RTC644	31 49
MRC1675	33 09	NRC1160	32 57	RTC645	31 49
MRC1709	33 05	NRC1169	31 71	RTC773	31 17
MRC1710	32 53	NRC1189	31 51	RTC834	32 11
		NRC1190	31 51	RTC840	31 41
		NRC1191	30 49	RTC844	31 13
		NRC1202	31 35	RTC845	31 13
		NRC1215	33 25	RTC1003	32 05
		NRC1216	33 25		
		NRC1220	33 25		

NUMERICAL INDEX

Part No.	Page No.	Part No.	Page No.	Part No.	Page No.
RTC1004	32 05	WC105001	32 29	90576626	30 77
RTC1010	31 15	WC106041	33 05	90576631	30 61
RTC1148	31 81	WC108051	32 71	90576632	30 77
RTC1393	31 17	WC110061	32 71	90576634	30 77
RTC1528	32 57			90576646	30 83
RTC1687	30 67	WD110061	32 51	90576658	30 79
RTC1688	30 79			90577082	31 65
RTC1689	30 79	WF600061	31 45	90577473	32 61
RTC1697	32 29			90577508	31 79
RTC1718	30 09	WL106001	31 65	90577521	31 59
RTC1718020	30 09	WL108001	33 35	90577522	31 59
RTC1820	31 13	WL110001	32 45	90577645	31 79
RTC1843	32 19	WL112001	33 23	90577611	31 47
RTC1844	32 19			90577636	31 45
RTC1885	32 19	WM103001	32 19	90577645	31 79
RTC1886	32 19	WM104001	32 21	90602025	30 19
RTC1919	32 19	WM105001	32 61	90602056	30 11
RTC1931	32 19	WM106001	33 33	90602064	30 15
RTC2117	30 11	WM108001	31 49	90602072	30 15
RTC2117020	30 11	WM110001	30 45	90602371	30 19
RTC7034	33 35	WM600041	30 05	90602372	30 09
		WM600051	30 13	90602451	30 17
SE105121	32 39	WM600061	30 27	90607071	31 39
		WM600071	30 05	90607170	31 17
SH104201	31 45	WM600081	30 41	90608178	32 11
SH105121	32 79	WM702001	30 21	90608330	32 29
SH105161	32 61			90608545	31 13
SH106041	32 81	13H9216	30 21	90610568	32 07
SH106061	32 71			90611014	31 77
SH106141	31 65	27H3815	31 49	90611112	31 75
SH106161	32 49			90611504	30 23
SH106201	32 81	37H7738	32 27	90611634	32 07
SH106251	32 69			90612904	31 75
SH108041	31 71	90215647	30 83	90612906	31 75
SH108121	33 35	90214684	31 39	90613017	30 37
SH108161	32 33	90217636	31 45	90613214	32 07
SH108201	31 49	90512651	30 49	90613465	32 15
SH108251	30 49	90513220	31 45	90613501	30 21
SH108301	32 51	90514721	31 77	90613659	30 25
SH110201	32 59	90516028	30 13	90613717	30 15
SH110251	31 39	90517585	31 75	90613761	30 37
SH112355	31 21	90517821	33 13	90613780	32 07
		90545020	32 25	90613782	32 07
SP103101	31 45	90552973	32 61	90613793	30 13
SP106301	32 47	90552974	32 61	90613812	30 21
		90564812	31 47	90613814	32 15
SS106160	31 41	90568526	30 41	90613827	32 15
		90569116	31 05	90613913	30 41
TKC3029	31 49	90571010	30 67	90613919	30 41
		90571030	30 79	90614577	30 05
UCB13712R	31 69	90571086	30 55	90614584	30 27
		90571102	30 65	90614591	32 13
		90571103	30 67	90614599	32 13
UKC1655	32 05	90571104	30 57	90614848	30 15
		90571105	30 55	90622161	30 65
WA104001	32 55	90571106	30 55	90622162	30 67
WA105001	32 61	90571451	30 65	90622220	30 61
WA106041	32 39	90575153	32 21	90622240	30 77
WA108051	31 49	90575223	32 21	90623122	32 31
WA110001	32 45	90575511	31 69	90623123	32 31
WA110061	30 63	90575673	31 59	90623127	32 37
WA116101	33 35	90575676	31 59	90623187	32 35
		90575682	31 59	90623200	33 13
WB106041	32 39	90575750	31 59	90623201	33 13
WB108051	32 51	90575977	31 65	90624126	32 35
WB110061	31 47	90576624	31 61	90624244	31 31

NUMERICAL INDEX

Part No.	Page No.	Part No.	Page No.	Part No.	Page No.
90624418	31 65				
90624436	31 41				
90707018	32 55				
90707023	32 47				
90707024	32 47				
90707036	33 17				
90707040	33 17				
90707041	33 17				
90707042	33 17				
90707043	33 17				
90707044	33 17				
90707046	32 47				
90707047	32 47				
90707048	32 47				
90707049	32 47				
90707054	33 13				
90811937	33 35				

ISBN 1 85520 138 0

© **Rover Group Limited**

ISSUED AND PRINTED BY BROOKLANDS BOOKS LTD
PO BOX 146, COBHAM, SURREY, KT11 1LG ENGLAND
WITH THE KIND PERMISSION OF
LAND ROVER PARTS LTD. PO BOX 333
BICKENHILL LANE BIRMINGHAM B37 74Q
ENGLAND