

发动机

GREATWALL ENGINE PARTS CATALOGUE

零部件手册



ENGINE 491QE

长城·发动机

前 言

《发动机零部件手册》是供广大用户了解长城系列发动机各种零部件的装配关系和整机结构并为用户选购零部件提供指导。

本手册根据保定长城内燃机制造有限公司提供的技术资料编制而成。

使用本图册时，请注意以下几点：

(1) 用户洽购长城系列发动机部件时，请说明发动机机型，对照本图册查找零件名称和对应的零件编码，以避免与其它零件混淆。

(2) 本图册以 491QE 发动机为基础编绘。

虽然我们尽力认真编绘本图册，但不能保证图册中所有内容完全正确无误。我们必须保留供货范围、装备和技术方面的修改权。因此，用户不得以本图册中的零件明细表和图解为根据提出任何要求。对于使用本图册而造成的损失，我们皆不负直接和间接责任。

未经长城汽车股份有限公司同意，不得将本图册翻版、出版。

长城汽车股份有限公司明确保留法律规定的有关版权的一切权力，保留更改权和解释权。

长城汽车股份有限公司

二〇〇三年三月

Foreword

“Engine Parts Catalogue” is to provide the users with information on the parts assembly and complete engine structure, and guide them to specify and order parts accordingly.

This Parts Catalogue is compiled on the basis of the technical documents supplied by Dingxing Interior Combustion Engine Plant.

The following points should be noted when using this manual:

1. When you are going to purchase engine parts, please kindly specify the engine type, parts name and parts number so as not to make any confusion or ambiguity.
2. This Parts Catalogue is fulfilled on the basis of the engine 491QE.

We've made our best to compile the Parts Catalogue. However, it may happen that some items in this Catalogue are not completely satisfactory. In the case, we reserve the right to make any modification on parts supplying and relevant technology without prior notice, and no claim shall be made according to the Parts List and the Parts Illustrations in this Parts Catalogue. We are not responsible for any direct or

indirect loss arising from the application of this Parts Catalogue.

All rights reserved. Without the permission or consent of Great Wall Automobile Holding Company Limited the book can not be reproduced or copied, in whole or in part. The rights of interpretation and modification on the book are reserved.

Great Wall Automobile Holding Company Limited

March , 2003

使用方法

《发动机零部件手册》供广大用户了解长城系列发动机零部件结构、装配关系及供选购配件时查阅参考。

用户在使用时，请按照以下说明对所选用的零部件所适用车型进行查找。

1、本图册在编制时，由于车型较多配置了不同型号发动机，基于车型配置特点采用了特征编码。其编码的对应关系如下表所示。用户在使用时，请按发动机型号选择正确的零部件。

本图册包括迪尔系列汽车各车型，其简明技术特点和在本图册中编码如下：

车型简明分类特点

表1

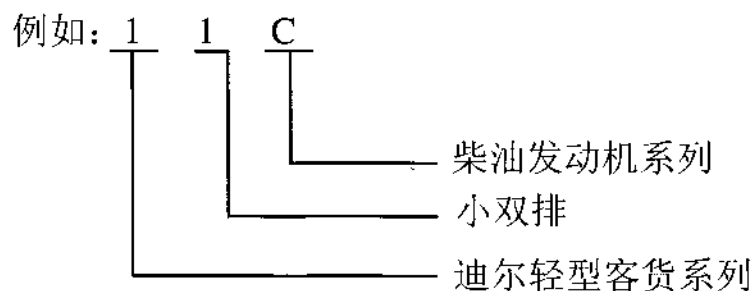
车型	代码	编码	驾驶室型式	其它
CC1021SER	SE	11	小双排	491QE
CC1020AR	A	12	大双排	491QE
CC1020LSR	LS	13	中双排	491QE
CC1020LR	L	14	排半	491QE
CC1020DR	D	15	小单排R	491QE
CC1020CR	C	16	大单排	491QE
CC1021SY	SY	11Y	小双排	491QE.4WD
CC1020AY	AY	12Y	大双排	491QE.4WD

车型简明分类特点

表 2

车型	代码	编码	驾驶室型式	其它
CC1020LSY	LSY	13Y	中双排	491QE.4WD
CC1021SD	SD	11D	小双排	491QE.大脚
CC1021SDY	SDY	11DY	小双排	491QE.4WD.大脚 4WD.
CC1020AD	AD	12D	大双排	491QE.大脚
CC1020ADY	ADY	12DY	大双排	491QE.4WD.大脚 4WD
CC1020LSD	LSD	13D	中双排	491QE.大脚
CC1020LSDY	LSDY	13DY	中双排	491QE.4WD.大脚 4WD
CC1021SC	SC	11C	小双排	4JB1
CC1020AC	AC	12C	大双排	4JB1
CC1020LSC	LSC	13C	中双排	4JB1
CC1020LC	LC	14C	一排半	4JB1
CC1020DC	DC	15C	小单排	4JB1
CC1020CC	CC	16C	大单排	4JB1
CC1021S	S	11H	小双排	491Q
CC1020A	A	12H	大双排	491Q
CC1020L	L	14H	一排半	491Q
CC1020D	D	15H	小单排	491Q
CC1020C	C	16H	大单排	491Q

本图册中各车型相应编码说明：编码共有四位，前两位表示车型类别代码；后两位表示特征代码。在车型类别代码中，前一位用1表示迪尔轻型客货系列。后一位在现有车型驾驶室与货箱形式加以区分，无形式区分的用“0”表示。用“1”表示小双排系列；用“2”表示大双排系列；用“3”表示中双排系列；用“4”表示一排半系列；用“5”表示小单排系列；用“6”表示大单排系列。在特征代码中用字母C表示柴油发动机（4JB1）系列；用字母H表示化油器型发动机（491Q）系列。



用户可根据目录查找零件总成图解和零件明细表，可参照零件明细表查出与其相应的部件图解（零件的形状和安装位置）、零件编码和所属用量。

How to use the Parts Catalogue

“Engine Parts Catalogue” aims to help the users learn information on the engine parts, assembly, and find the engine parts ordered.

When using this Parts Catalogue please find the applicable vehicle model in relation to the parts according to the following instruction:

1. While compiling we've used special vehicle codes (V-code). When the users use this Parts Catalogue, please find the correct parts according to the applicable engine type.

This Parts Catalogue includes various types of Great Wall Deer Pickups, and the corresponding special vehicle codes show as follows:

Vehicle Model Classification Chart

Vehicle Model	Code	Number Code	Cabin Model	Supplementary
CC1021SER	SE	11	Regular Double Cabin	491QE
CC1020AR	A	12	Extra-long Double Cabin	491QE
CC1020LSR	LS	13	Mid Double Cabin	491QE
CC1020LR	L	14	One and a half Cabin	491QE
CC1020DR	D	15	Regular Single Cabin	491QE
CC1020CR	C	16	Extra-long Single Cabin	491QE
CC1021SY	SY	11Y	Regular Double Cabin	491QE, 4WD

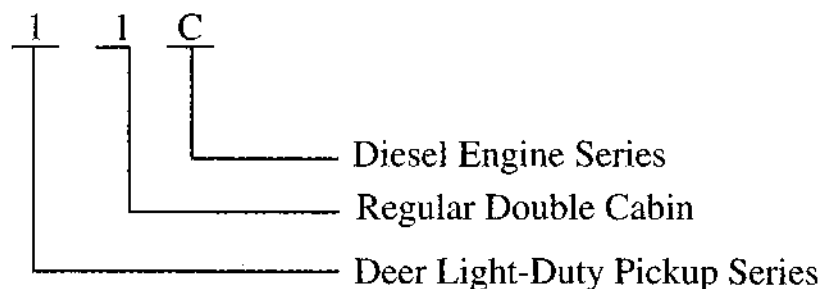
Vehicle Model Classification Chart

Model	Code	Number Code	Cabin Model	Supplementary
CC1020AY	AY	12Y	Extra-long Double Cabin	491QE, 4WD
CC1020LSY	LSY	13Y	Mid Double Cabin	491QE, 4WD
CC1021SD	SD	11D	Regular Double Cabin	491QE, Big Monster
CC1021SDY	SDY	11DY	Regular Double Cabin	491QE, 4WD, Big Monster 4WD
CC1020AD	AD	12D	Extra-long Double Cabin	491QE, Big Monster
CC1020ADY	ADY	12DY	Extra-long Double Cabin	491QE, 4WD, Big Monster 4WD
CC1020LSD	LSD	13D	Mid Double Cabin	491QE, Big Monster
CC1020LSDY	LSDY	13DY	Mid Double Cabin	491QE, 4WD, Big Monster 4WD
CC1021SC	SC	11C	Regular Double Cabin	4JB1
CC1020AC	AC	12C	Extra-long Double Cabin	4JB1
CC1020LSC	LSC	13C	Mid Double Cabin	4JB1
CC1020LC	LC	14C	One and a half Cabin	4JB1
CC1020DC	DC	15C	Regular Single Cabin	4JB1
CC1020CC	CC	16C	Extra-long Single Cabin	4JB1
CC1021S	S	11H	Regular Double Cabin	491Q
CC1020A	A	12H	Extra-long Double Cabin	491Q
CC1020L	L	14H	One and a half Cabin	491Q
CC1020D	D	15H	Regular Single Cabin	491Q
CC1020C	C	16H	Extra-long Single Cabin	491Q

There are four codes to describe vehicle. The first two codes represent vehicle model, and the latter two codes represent vehicle feature. In the first vehicle model code, “1” represents Deer series light-duty pick up, “0” indicates that the vehicle is without distinction of cabin and cargo body. “1” represents regular double cabin. . “2” represents extra-long double cabin. “3”represents medium double cabin, “4” represents one and a half cabin. “5” represents regular single cabin. “6” represents extra-long single cabin.

In vehicle feature codes, “C” represents diesel engine (4JB1) series. “H” represents carburetor engine (491Q) series.

For example:



2. Look up the table of contents, and find parts assembly illustration and parts list, then you'll get the parts figure, parts number and the relevant quantity.

目 录 CONTENTS

1	缸体左侧面 CYLINDER BLOCK LEFT PROFILE	1
2	缸体右侧面 CYLINDER BLOCK RIGHT PROFILE	4
3	油堵 OIL PLUG	7
4	旁路暖风水管的安装 HEATING WATER BYPASS PIPE	9
5	气门室罩及摇臂轴等的装配 VALVE CHAMBER COVER & ROCKER ARM SHAFT	11
6	气门及火花塞的装配 VALVE & SPARK PLUG	14
7	化油器型分电器拆解图 DISTRIBUTOR (CARBURETOR TYPE)	16
8	化油器的拆解 CARBURETOR	19
9	化油器型燃油系 FUEL SYSTEM (CARBURETOR TYPE)	23
10	化油器型进排气及化油器 CARBURETOR , AIR INTAKE & EXHAUST (CARBURETOR TYPE)	25
11	活塞连杆的装配 PISTON CONNECTING ROD	27
12	曲轴飞轮的装配 CRANKSHAFT FLYWHEEL	29
13	凸轮轴及正时链轮 CAMSHAFT & TIMING SPROCKET	31
14	电喷型进排气系统组件 AIR INTAKE & EXHAUST(ELE FUEL INJECTION)	34
15	机油泵-集滤器组件 OIL PUMP-STRAINER	36
16	燃油系(一) -DELPHI FUEL SYSTEM(1)	38

目 录 CONTENTS

17	燃油系（二）-UAES FUEL SYSTEM(2)	41
18	风扇皮带轮 FAN PULLEY	43
19	水泵风扇组装 WATER PUMP FAN	45
20	怠速控制阀的安装-UAES IDLE AIR CONTROL VALVE	47
21	节气门体的装配 THROTTLE VALVE BODY	49
22	进气压力传感器（一）AIR INTAKE PRESSURE SENSOR(1)	51
23	进气压力传感器（二）AIR INTAKE PRESSURE SENSOR(2)	53
24	进气温度传感器 AIR INTAKE TEMPERATURE SENSOR	55
25	曲轴位置传感器 CRANKSHAFT POSITION SENSOR	57
26	冷却液温度传感器的安装 COOLANT TEMPERATURE SENSOR	61
27	冷却液温度传感器的安装 COOLANT TEMPERATURE SENSOR	62
28	分电器及阻尼线的装配 - 化油器型 DISTRIBUTOR & DAMPING CABLE (CARBURETOR TYPE)	63
29	点火线圈及高压阻尼线 -DELPHI IGNITION COIL & HIGH VOLTAGE DAMPING WIRE	65
30	相位传感器-UAES PHASE SENSOR	69
31	线束组件-DELPHI WIRING HARNESS SET	71
32	线束组件-UAES WIRING HARNESS SET	74

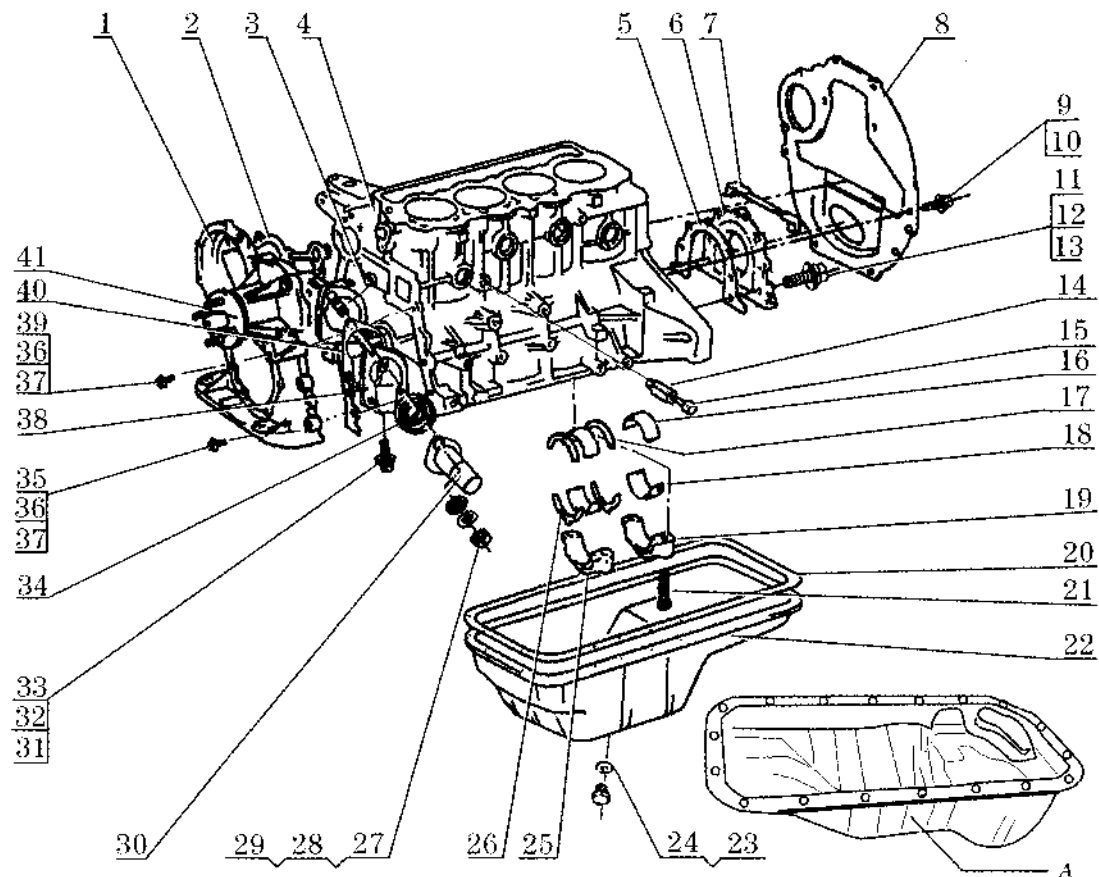
目 录 CONTENTS

33	爆震传感器 -UAES KNOCK SENSOR	76
34	随机附件 ACCESSORIES	78
35	65A 外调发电机 OUTSIDE ADJUSTING ALTERNATOR (65A)	80
36	90A 内调交流发电机 INTERIOR ADJUSTING ALTERNATOR(90A)	82
37	起动机 STARTER	84
38	活塞连杆组件 PISTON CONNECTING ROD	86
39	左右支架及左右加强板 LEFT/RIGHT BRACKET & REINFORCEMENT	88
40	主轴承与曲轴的安装 MAIN BEARING & CRANKSHAFT	90
41	机油盘的装配 OIL PAN	92
42	飞轮、离合器、前后油封及减震皮带轮 FLYWHEEL、CLUTCH、FRONT/REAR OIL SEAL & DAMPINPULLEY	94
43	齿轮室体的安装 GEAR CHAMBER BODY	96
44	齿轮、齿轮室盖、齿轮室体的安装 GEAR、GEAR CHAMBER COVER、GEAR CHAMBER BODY	98
45	凸轮轴的安装 CAMSHAFT	101
46	进气歧管和排气歧管的安装 INTAKE & EXHAUST MANIFOLD	103
47	右隔音盖板及线束夹 RIGHT SOUND BAFFLE & WIRING HARNESS CLIP	105
48	压缩机支架 COMPRESSOR BRACKET	107

目 录 CONTENTS

49	水泵的安装 WATER PUMP	109
50	冷却水管焊合件的安装 COOLANT PIPE WELDMENT	111
51	机油滤清器的安装 OIL FILTER	113
52	喷油泵的安装 INJECTION PUMP	117
53	发电机的安装 GENERATOR	119
54	高压油管及机油尺的安装 HIGH PRESSURE FUEL PIPE& OIL DIP ROD	122
55	风扇、风扇皮带轮及皮带的安装 FAN、FAN PULLEY & BELT	124
56	通气软管、机油滤清器冷却进出水管的安装 BREATHER HOSE、OIL FILTER COOLANT INLET& OUTLET PIPE	127
57	隔热板的安装 HEAT INSULATING PANEL	128
58	导水管、油压感应塞及油压感应塞座 WATER GUIDE PIPE、OIL PRESSURE SENSING PLUG & SENSING PLU SEAT	130
59	缸盖在缸体上的安装 CYLINDER HEAD	132
60	进排气门的组装 INTAKE/EXHAUST VALVE	134
61	气门室罩盖的组装 VALVE CHAMBER COVER	136
62	摇臂轴总成的组装 ROCKER ARM SHAFT ASSY	138
63	喷油器、回油软管、电热塞及电热塞连接板 INJECTOR、RETURN HOSE、GLOW PLUG& GLOW PLUG CONNECTING PLATE	140
64	节温器及节温器壳的安装 THERMOSTAT &THERMOSTAT HOUSING	142

缸体左側面 CYLINDER BLOCK LEFT PROFILE



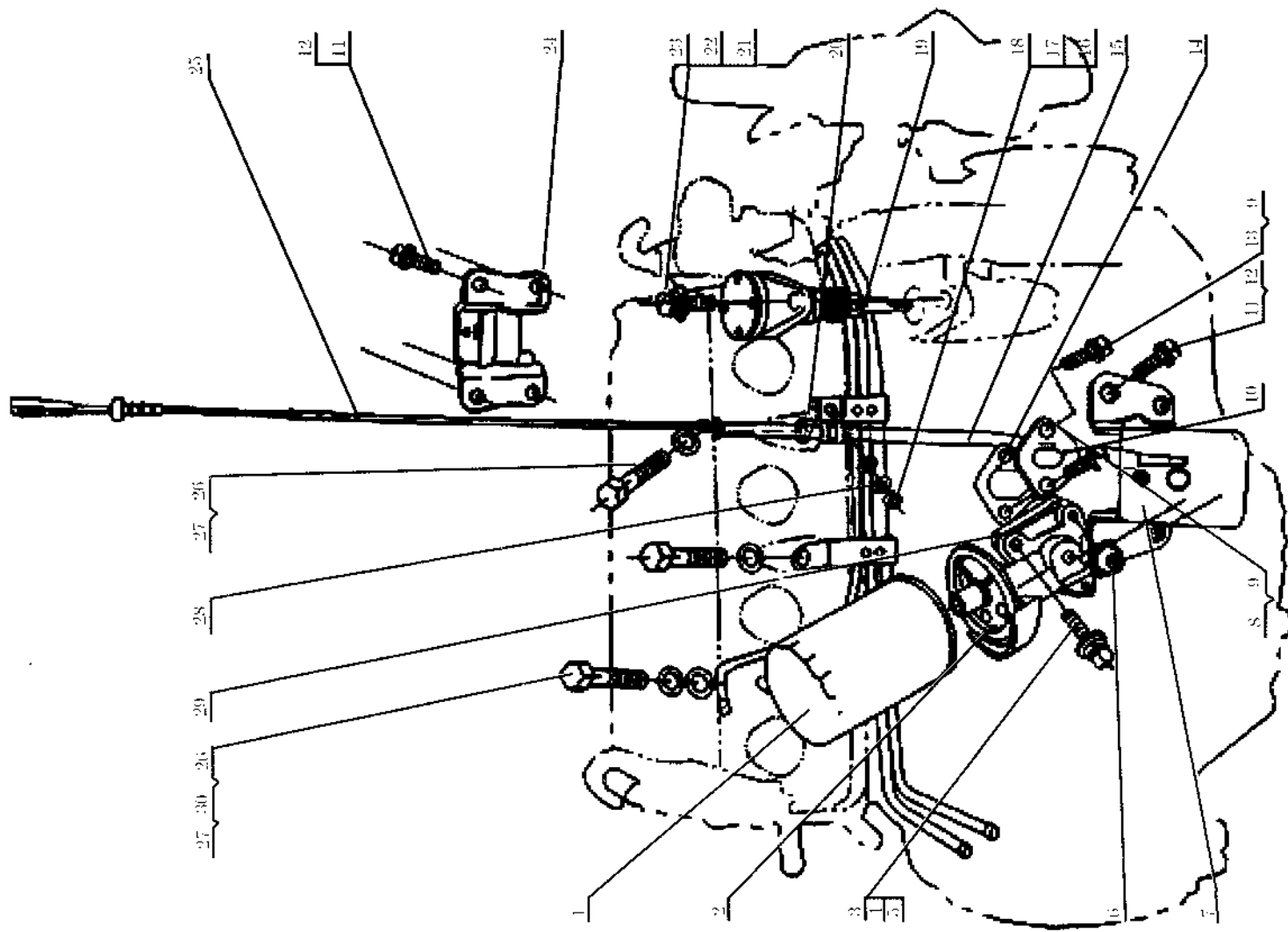
缸体左侧面 CYLINDER BLOCK LEFT PROFILE

序号 S/N	部件代码 PART CODE	部件名称 DESCRIPTION	部件规格 SPECIFICATION	用量 QTY.	适用车型 VEHICLE MODEL	备注 REMARK
1	11H-1002051	箱体	SPROCKET CHAMBER	1		
2	11H-1002012	箱体垫	SPROCKET CHAMBER GASKET	1		
3	Q1200830	双头螺柱	STUD BOLT	2	AM8-M8×30	链轮室体 - 出水管接头
4	11H-1002031	缸体	CYLINDER BLOCK	1		
5	11H-1002016	后油封座垫	GASKET	1		
6	11H-1002091	后油封座	RETAINER, ENGINE REAR OIL SEAL	1		
7	11H-1002014	后油封密封胶条	SEAL STRIP, REAR OIL SEAL	1		
8	11H-1002015	后隔板	REAR END PLATE	1		
9	Q150B0814	螺栓	BOLT	2	M8×14	后隔板 - 缸体
10	Q40308	弹簧垫圈	SPRING WASHER	2	8	
11	Q150B0822	螺栓	BOLT	5	M8×22	后油封座 - 缸体
12	Q40108	平垫圈	PLAIN WASHER	5	8	
13	Q40308	弹簧垫圈	SPRING WASHER	5	8	
14	11H-1305011	放水开关座	WATER DRAIN COCK	1		
15	11H-1305012	放水开关螺塞	WATER DRAIN COCK PLUG	1		
16	11H-1002018	上主轴瓦	UPPER MAIN BEARING	5		
17	11H-1002019	上止推片	UPPER THRUST PLATE	2		
18	11H-1002017	下主轴瓦	LOWER MAIN BEARING	5		
19	11H-1002034	主轴承盖	MAIN BEARING CAP	4		
20	11H-1009011	机油盘衬垫	OIL PAN GASKET	1		
21	11H-1002037	主轴承盖螺栓	MAIN BEARING CAP BOLT	10		

缸体左侧面 CYLINDER BLOCK LEFT PROFILE

序号 S/N	部件代码 PART CODE	部件名称 DESCRIPTION	部件规格 SPECIFICATION	用量 QTY.	适用车型 VEHICLE MODEL	备注 REMARK
22	11H-1009020	机油盘焊接组件	OIL PAN WELDMENT ASSY	1		
23	11H-1009013	机油放油塞垫圈	OIL DRAIN PLUG WASHER	1		
24	11H-1009012	机油放油塞	OIL DRAIN PLUG	1		
25	11H-1002035	中间主轴承盖	INTERMEDIATE MAIN BEARING CAP	1		
26	11H-1002021	下止推片	LOWER THRUST PLATE	2		
27	Q40308	标准弹簧垫圈	SPRING WASHER	8		进水管接头-链轮室体
28	Q40108	平垫圈	PLAIN WASHER	8		进水管接头-链轮室体
29	Q340B08	螺母	NUT	M8		进水管接头-链轮室体
30	11H-1300014	进水管接头	WATER INTAKE PIPE CONNECTOR	1		
31	Q150B0820	螺栓	BOLT	M8×20		节温器座-链轮室体
32	Q40108	平垫圈	PLAIN WASHER	8		节温器座-链轮室体
33	Q40308	弹簧垫圈	SPRING WASHER	8		节温器座-链轮室体
34	11H-1306010	调温器	TEMPERATURE ADJUSTER	1		
35	Q150B0816	螺栓	BOLT	M8×16		链轮室体-缸体
36	Q40108	平垫圈	PLAIN WASHER	8		链轮室体-缸体
37	Q40308	标准弹簧垫圈	SPRING WASHER	8		链轮室体-缸体
38	11H-1300019	调温器座	TEMPERATURE ADJUSTER SEAT	1		
39	Q150B0830	螺栓	BOLT	M8×30		链轮室体-缸体
40	11H-1300018	调温器座垫	TEMPERATURE REGULATOR SEAT GASKET	1		
41	11H-1307020	水泵组件	WATER PUMP SET	1		
42	11Y-1009021	机油盘	OIL PAN	1		4WD

缸体右側面 CYLINDER BLOCK RIGHT PROFILE



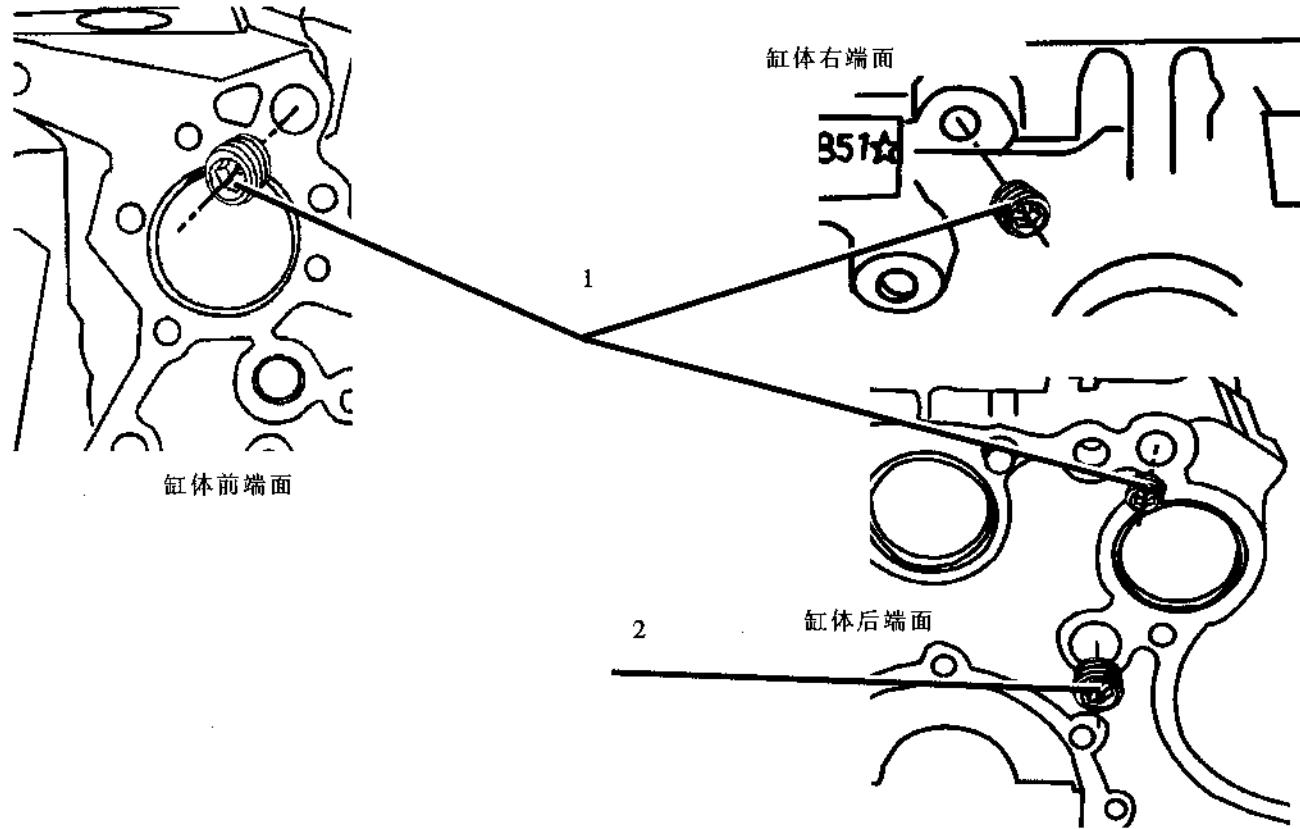
缸体右侧面 CYLINDER BLOCK RIGHT PROFILE

序号 S/N	部件代码 PART CODE	部件名称 DESCRIPTION	部件规格 SPECIFICATION	用量 QTY.	适用车型 VEHICLE MODEL	备注 REMARK
1	11H-1012020	机油滤清器	OIL FILTER	1		
2	11H-1012011	机油滤清器座	OIL FILTER SEAT	1		
3	Q150B0835	螺栓	BOLT	3	M8×35	
4	Q40108	平垫圈	PLAIN WASHER	3	8	
5	Q40308	标准弹簧垫圈	SPRING WASHER	3	8	
6	11-3810020	机油报警器	OIL ALARM	1		
7	491Q-1001030	右托架	HOLDER,RH	1		
8	Q150B0816	螺栓(后端)	BOLT(REAR)	1	M8×16	
9	Q40308	弹簧垫圈	SPRING WASHER	2	8	
10	11-1002205	汽油泵孔盖板	GASOLINE PUMP HOLE COVER	1		
11	Q151B1020	螺栓	BOLT	8	M10×1.25×20	
12	Q40310	弹簧垫圈	SPRING WASHER	8	10	
13	Q150B0820	螺栓(前端)	BOLT(FRONT END)	1	M8×20	
14	11-1002206	汽油泵孔盖板垫	FUEL PUMP HOLE COVER GASKET	1		
15	11H-1002070	机油尺管	OIL TUBE FEELER	1		
16	Q340B06	螺母	NUT	1	M6	
17	Q40106	平垫圈	PLAIN WASHER	1	6	
18	Q40406	轻型弹簧垫圈	SPRING WASHER	1	6	
19	11-3609200	机油泵传动轴	OIL PUMP DRIVE SHAFT	1	I	DELPH
20	11H-1104031	汽油管弯固定片	GASOLINE PIPE SET PLATE	1		
21	Q150B0825	螺栓	BOLT	1	M8×25	

缸体右侧面 CYLINDER BLOCK RIGHT PROFILE

序号 S/N	部件代码 PART CODE	部件名称 DESCRIPTION	部件规格 SPECIFICATION	用量 QTY.	适用车型 VEHICLE MODEL	备注 REMARK
22	Q40108	平垫圈 PLAIN WASHER	8	1		
23	Q40308	弹簧垫圈 SPRING WASHER	8	1		
24	11H-1001020	左托架 HOLDER,LH		1		
25	11H-1002080	机油尺 OIL DIP ROD		1		
26	Q150B0843	螺栓 BOLT	M8×43	3		
27	Q40308	弹簧垫圈 SPRING WASHER	8	3		
28	11H-1004020	汽油进回油管焊接组件 FUEL INTAKE & RETURN PIPE WELDMENT ASSY		1		
29	11H-1012014	机油滤清器座垫 OIL FILTER SEAT GASKET		1		
30	Q40108	平垫圈 PLAIN WASHER		1		

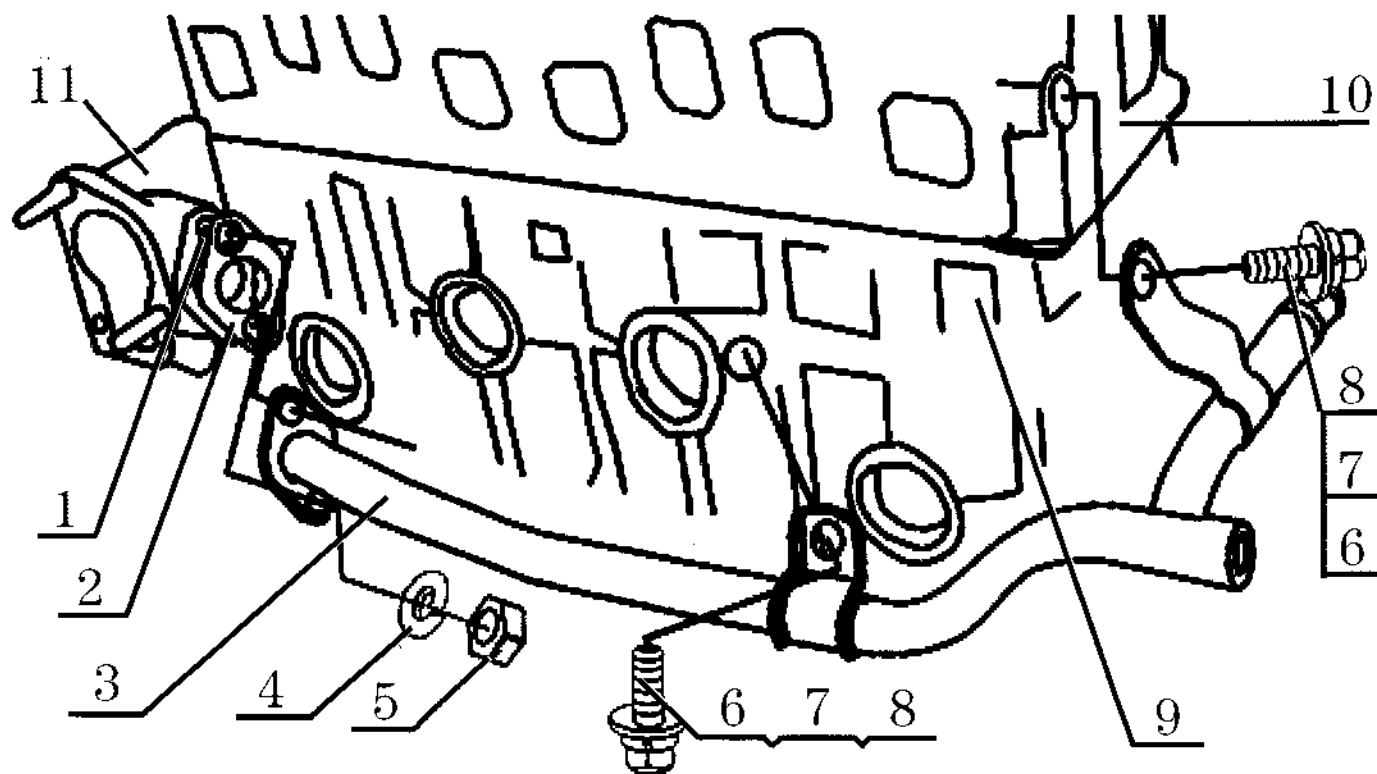
油堵 OIL PLUG



油堵 OIL PLUG

序号 S/N	部件代码 PART CODE	部件名称 DESCRIPTION	部件规格 SPECIFICATION	用量 QTY.	适用车型 VEHICLE MODEL	备注 REMARK
1	11H-1002047	尾油道螺塞 SECONDARY OIL PASSAGE SCREW PLUG		3		
2	11H-1002048	主油道螺塞 MAIN OIL PASSAGE SCREW PLUG		1		

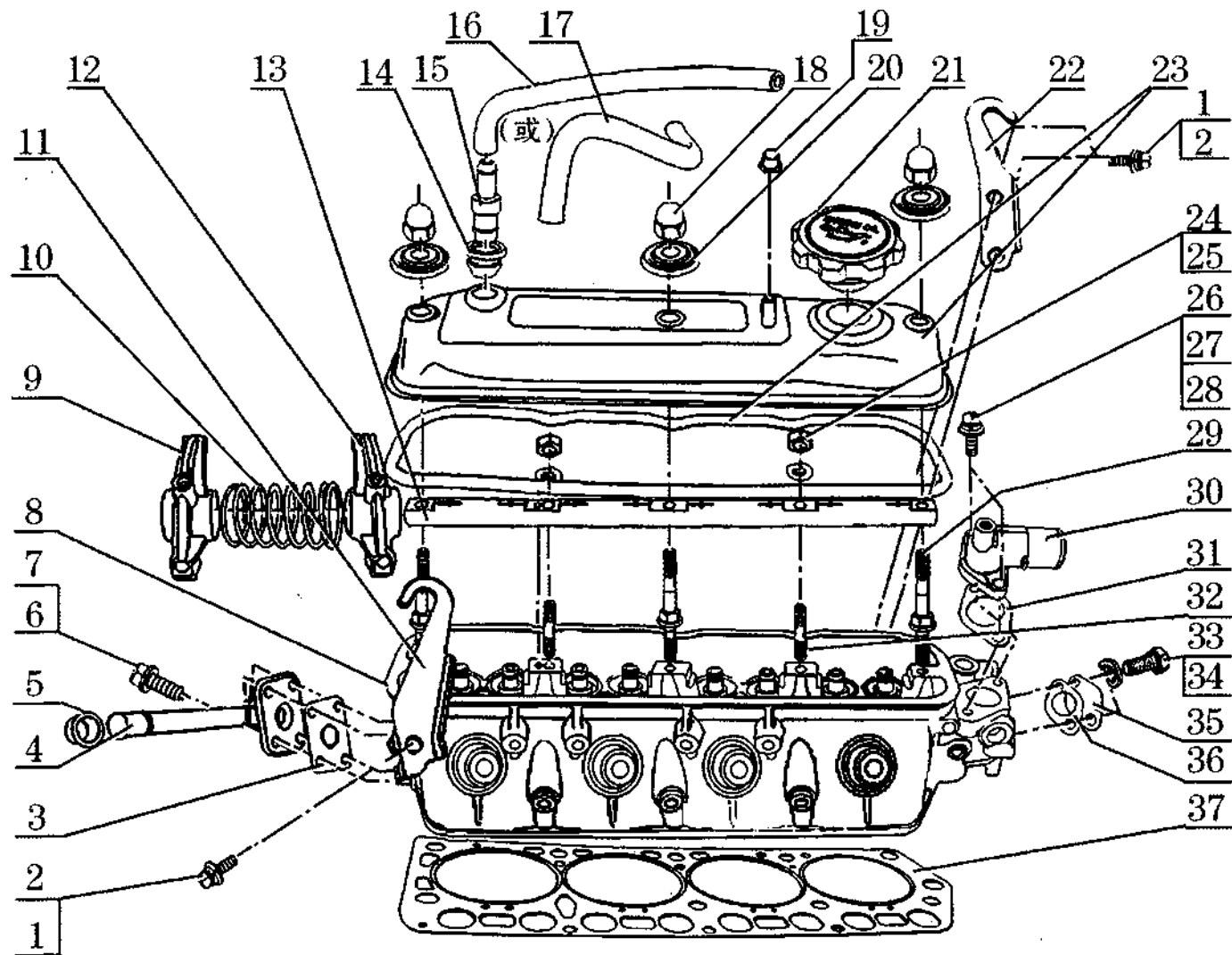
旁路暖风水管的安装 HEATING WATER BYPASS PIPE



旁路暖风水管的安装 HEATING WATER BYPASS PIPE

序号 S/N	部件代码 PART CODE	部件名称 DESCRIPTION	部件规格 SPECIFICATION	用量 QTY.	适用车型 VEHICLE MODEL	备注 REMARK
1	GB899-88	双头螺栓 STUD BOLT	AM8-M8×20	2		
2	11H-1300016	旁水管垫片 WATER BYPASS PIPE GASKET		1		
3	11H-1300060	旁路暖风水管 HEATING WATER BYPASS PIPE		1		
4	Q40308	弹簧垫圈 SPRING WASHER	8	2		
5	340B08	螺母 NUT	M8	2		
6	Q150B0812	螺栓 BOLT	M8×12	2		
7	Q40308	弹簧垫圈 SPRING WASHER	8	2		
8	Q40108	平垫圈 PLAIN WASHER	8	2		
9	11H-1002031	缸体 CYLINDER BLOCK		1		
	11H-1002031B	缸体 CYLINDER BLOCK		1		03年1月
10	11H-1003070	缸盖 CYLINDER HEAD		1		
11	11H-1002051	箱体 SPROCKET CHAMBER		1		

气门室罩及摇臂轴等的装配 VALVE CHAMBER COVER & ROCKER ARM SHAFT



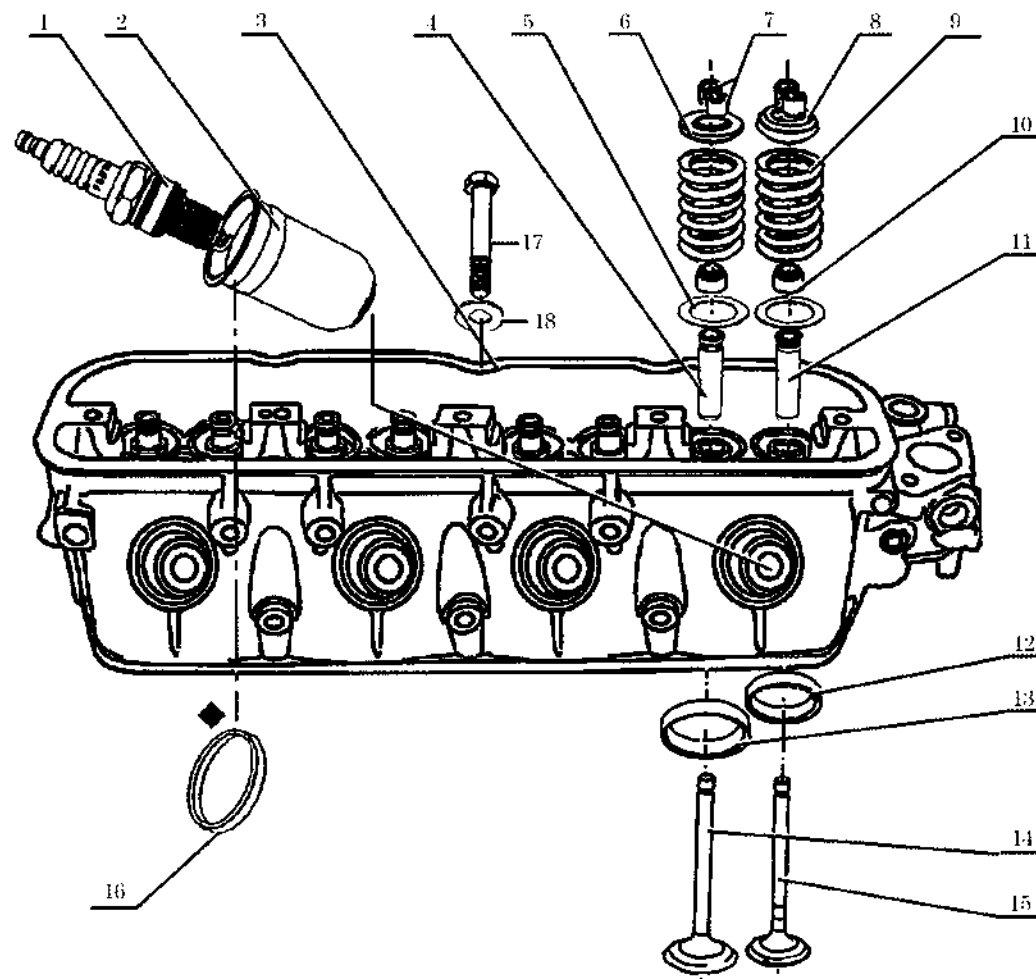
气门室罩及摇臂轴等的装配 VALVE CHAMBER COVER & ROCKER ARM SHAFT

序号 S/N	部件代码 PART CODE	部件名称 DESCRIPTION	部件规格 SPECIFICATION	用量 QTY.	适用车型 VEHICLE MODEL	备注 REMARK
1	Q151B1020	螺栓	BOLT	M10×1.25×20	3	
2	Q40408	轻型弹簧垫圈	SPRING WASHER	8	3	
3	11H-1003155	后暖风水管垫	REAR HEATER WATER PIPE GASKET		1	
4	11-1003150	后暖风水管	REAR HEATER WATER PIPE		1	
5	11-1003156	后暖风水管胶罩	REAR WATER PIPE RUBBER COVER		1	
6	Q150B0814	螺栓	BOLT	M8×14	4	
7	Q40108	平垫圈	PLAIN WASHER	8	4	
8	11H-1003070	缸盖组件	CYLINDER HEAD		1	
9	11H-1007012	左摇臂	ROCKER ARM,LH		4	
10	11H-1007013	摇臂弹簧	ROCKER ARM SPRING		4	
11	11H-1003013	后吊钩	REAR HOOK		1	
12	11H-1007014	右摇臂	ROCKER ARM,RH		4	
13	11H-1007050	摇臂轴	ROCKER ARM SHAFT		1	
14	11H-1014017	PCV 阀胶座	PCV VALVE RUBBER SEAT		1	
15	11H-1014010	PCV 阀	PCV VALVE		1	
16	11H-1014011	PCV 阀通风胶管	PCV VALVE BREATHER HOSE		1	化油器型
17	11-1014011	PCV 阀通风胶管	PCV VALVE BREATHER HOSE		1	电喷型
18	GB923-88	盖形螺母	NUT	M8	3	
19		防尘罩	DUST COVER		1	
20	11H-1003050	盖形螺母垫	NUT GASKET		3	
21	11H-1003083	加油口盖	FUEL FILLER CAP		1	

气门室罩及摇臂轴等的装配 VALVE CHAMBER COVER & ROCKER ARM SHAFT

序号 S/N	部件代码 PART CODE	部件名称 DESCRIPTION	部件规格 SPECIFICATION	用量 QTY.	适用车型 VEHICLE MODEL	备注 REMARK
22	11H-1003018	前吊钩	FRONT HOOK	1		
23	11H-1003080	气门室罩盖	VALVE CHAMBER COVER	1		
24	Q340B08	螺母	NUT	2	M8	
25	Q40108	平垫圈	PLAIN WASHER	2	8	
26	Q150B0825	螺栓	BOLT	2	M8×25	
27	Q40108	平垫圈	PLAIN WASHER	2	8	
28	Q40308	弹簧垫圈	SPRING WASHER	2	8	
29	11H-1007011	摇臂轴螺栓	ROCKER ARM SHAFT BOLT	3		
30	11H-1300014	出水管接头	WATER OUTLET PIPE CONNECTOR	1		
31	11H-1300015	出水管接头垫	WATER OUTLET PIPE CONNECTOR GASKET	1		
32	Q1200825	双头螺柱	STUD BOLT	2	AM8-M8×25	
33	Q150B0820	螺栓	BOLT	2	M8×20	
34	Q40308	弹簧垫圈	SPRING WASHER	2	8	
35	11H-1003010	前封水盖板	FRONT WATER SEAL COVER	1		
36	11H-1003162	前封水盖板垫	FRONT WATER SEAL COVER WASHER	1		
37	11H-1003090	气缸垫	CYLINDER GASKET	1		

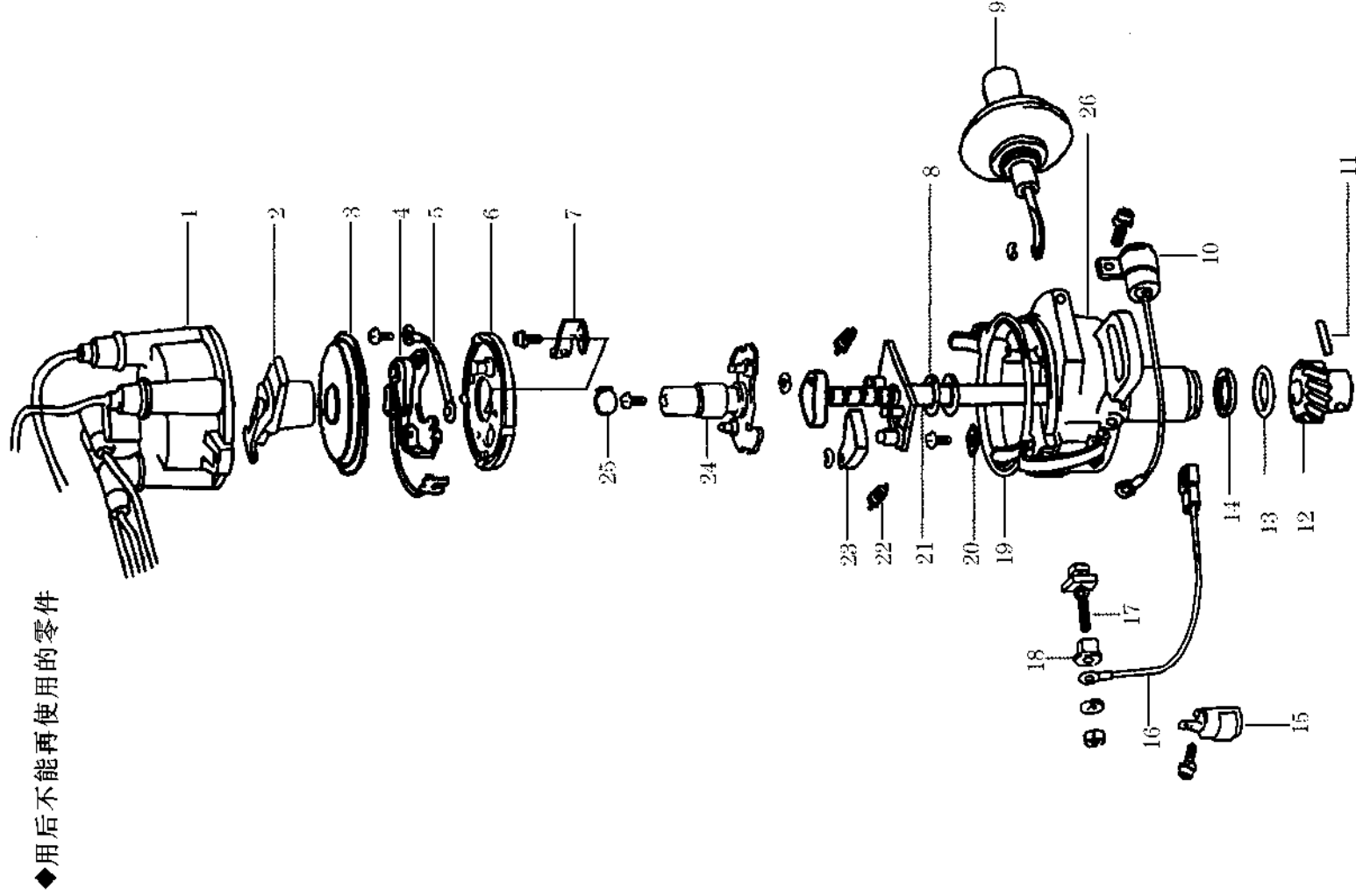
气门及火花塞的装配 VALVE & SPARK PLUG



气门及火花塞的装配 VALVE & SPARK PLUG

序号 S/N	部件代码 PART CODE	部件名称 DESCRIPTION	部件规格 SPECIFICATION	用量 QTY.	适用车型 VEHICLE MODEL	备注 REMARK
1	11H-3707010	火花塞(化油器型)	SPARK PLUG (CARBURETOR)	4		
1	11-3707010	火花塞(电喷型)	SPARK PLUG(ELE FULE-INJECTION)	4		电喷型
2	11H-1003011	火花塞套	SPARK PLUG BUSHING	4		
3	11H-1003070	缸盖组件	CYLINDER HEAD	1		
4	11H-1003101	进气门导管	INTAKE VALVE GUIDE	4		
5	11H-1007015	气门弹簧座垫	VALVE SPRING RETAINER GASKET	8		
6	11H-1007021	进气门弹簧上座	INTAKE VALVE SPRING UPPER RETAINER	4		
7	11H-1007019	气门锁夹	VALVE KEEPER	16		
8	11H-1007030	排气门弹簧上座组件	EXHAUST VALVE SPRING UPPER RETAINER	4		
9	11H-1007017	气门弹簧	VALVE SPRING	8		
10	11H-1007040	气门油封组件	VALVE OIL SEAL	8		
11	11H-1003102	排气门导管	EXHAUST VALVE GUIDE	4		
12	11H-1003103	排气门座圈	EXHAUST VALVE SEAT INSERT	4		
13	11H-1003014	进气门座圈	INTAKE VALVE SEAT INSERT	4		
14	11H-1007018	进气门	EXHAUST VALVE	4		
15	11H-1007016	排气门	INTAKE VALVE	4		
16	11H-1003012	火花塞套密封胶圈	SPARK PLUG BUSHING SEAL	4		
17	11H-1003016	缸盖螺栓	CYLINDER HEAD BOLT	10		
18	11H-1003017	缸盖螺栓垫圈	CYLINDER HEAD BOLT WASHER	10		

化油器型分电器拆解图 DISTRIBUTOR (CARBURETOR TYPE)



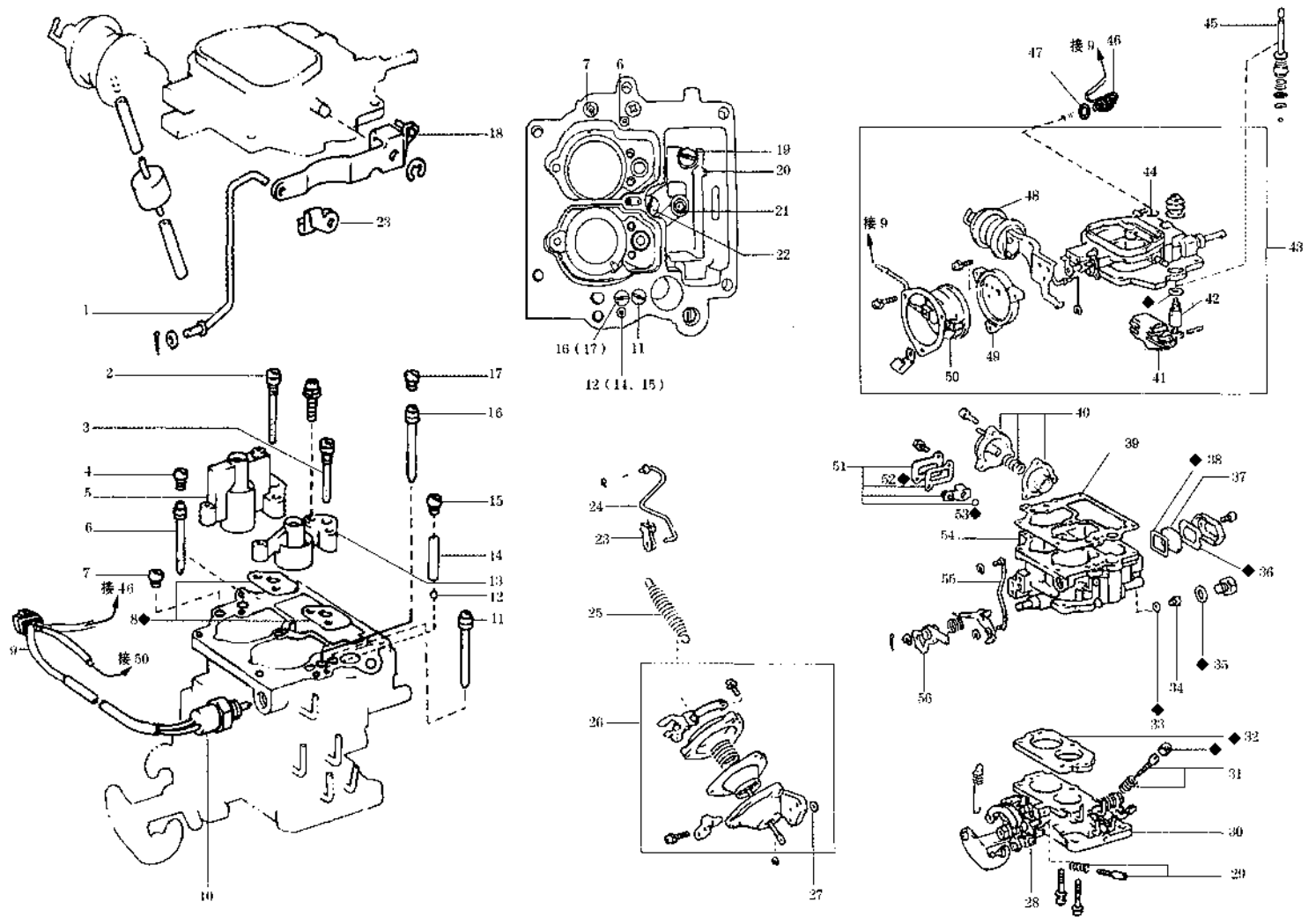
化油器型分电器拆解图 DISTRIBUTOR (CARBURETOR TYPE)

序号 S/N	部件代码 PART CODE	部件名称 DESCRIPTION	部件规格 SPECIFICATION	用量 QTY.	适用车型 VEHICLE MODEL	备注 REMARK
	11H-3706020	分电器	DISTRIBUTOR	1		
1	11H-3706022	分电器盖(带高压线)	DISTRIBUTOR HEAD (WITH HIGH VOLTAGE WIRE)	1		
2	11H-3706023	分火头	DISTRIBUTOR ROTOR	1		
3	11H-3706024	防尘罩	DUST BOOT	1		
4	11H-3706025	断电器触点	BREAKER CONTACT POINT	1		
5	11H-3706026	导线	WIRE	1		
6	11H-3706027	断电器底板	BREAKER BASE PLATE	1		
7	11H-3706028	减振器	SHOCK ABSORBER	1		
8	11H-3706034	止推垫圈	THRUST WASHER	2		
9	11H-3706037	真空点火提前装置	VACUUM IGNITION ADVANCE UNIT	1		
10	11H-3706038B	电容器 (B 型)	CAPACITOR (B)	1		
11	11H-3706044	直销	STRAIGHT PIN	1		
12	11H-3706045	被动齿轮	DRIVEN GEAR	1		
13	11H-3706043	O 形环	O-RING	1		
14	11H-3706042	平垫圈	PLAIN WASHER	1		
15	11H-3706038	电容器 (A 型)	CAPACITOR (A)	1		
16	11H-3706041	分电器电缆	DISTRIBUTOR CABLE	1		
17	11H-3706039	端子	TERMINAL	1		
18	11H-3706040	绝缘体	INSULATOR	1		
19	11H-3706036	密封垫圈	GASKET	1		
20	11H-3706035	平垫圈	PLAIN WASHER	1		

化油器型分电器拆解图 DISTRIBUTOR (CARBURETOR TYPE)

序号 S/N	部件代码 PART CODE	部件名称 DESCRIPTION	部件规格 SPECIFICATION	用量 QTY.	适用车型 VEHICLE MODEL	备注 REMARK
21	11H-3706033	调速器轴 SPEED REGULATOR SHAFT		1		
22	11H-3706032	调速器弹簧 SPEED REGULATOR SPRING		2		
23	11H-3706031	调速器重锤 SPEED REGULATOR HAMMER		1		
24	11H-3706030	凸轮 CAM		1		
25	11H-3706029	油脂堵头 GREASE PLUG		1		
26	11H-3706021	分电器外壳 DISTRIBUTOR HOUSING		1		

化油器的拆解 CARBURETOR



化油器的拆解 CARBURETOR

序号 S/N	部件代码 PART CODE	部件名称 DESCRIPTION	部件规格 SPECIFICATION	用量 QTY.	适用车型 VEHICLE MODEL	备注 REMARK
	11H-1107010	化油器总成	CARBURETOR ASSY	1		
1	11H-1107082	柱塞连杆	PLUNGER CONNECTING ROD	1		
2	11H-1107114	第二主排气阀	2ND MAIN AIR BLEEDER	1		
3	11H-1107113	第一主排气阀	1ST MAIN AIR BLEEDER	1		
4	11H-1107099	塞	PUMP JET PLUG	1		
5	11H-1107112	第二小喷管	2ND NOZZLE	1		
6	11H-1107104	间断量孔	STEP JET	1		
7	11H-1107100	孔塞	SLOW PASSAGE PLUG	1		
8	11H-1107115	密封垫圈	GASKET	2		
9	11H-1107051	电源插头	POWER PLUG	1		
10	11H-1107052	燃油断路电磁阀	THROTTLE VALVE SOLENOID	1		
11	11H-1107093	低速空气量孔	SLOW JET	1		
12	11H-1107103	止回球	STOP BALL	1		
13	11H-1107111	第一小喷管	1ST INJECTING PIPE	1		
14	11H-1107102	泵喷管重块	PUMP INJECTING PIPE BLOCK	1		
15	11H-1107091	塞	PLUG	1		
16	11H-1107101	低速量孔	SLOW JET	1		
17	11H-1107092	塞	PLUG	1		
18	11H-1107081	柱塞臂	PLUNGER ARM	1		
19	11H-1107098	加速量孔	ACCELERATING JET	1		
20	11H-1107097	副腔量孔	SECONDARY MAIN JET	1		

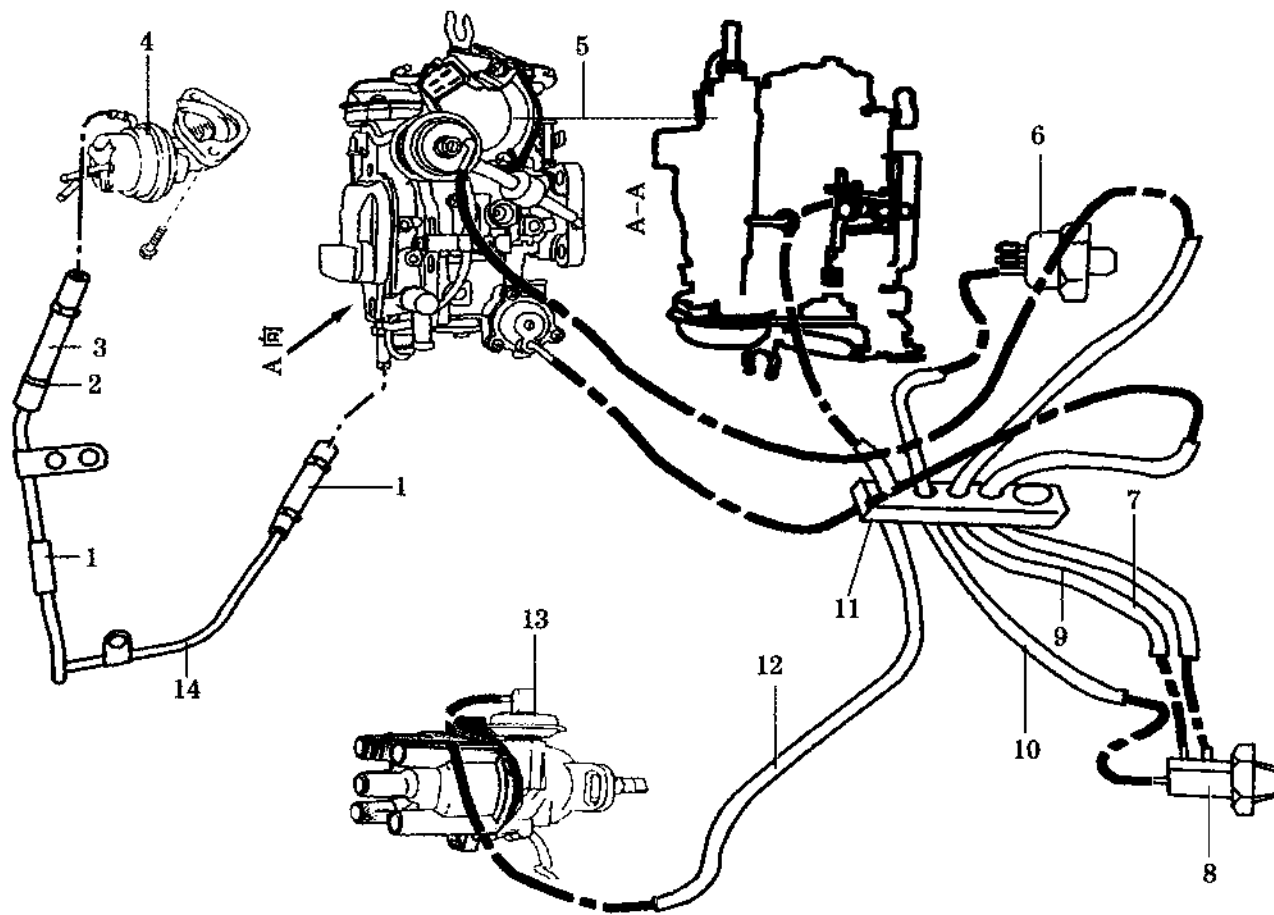
化油器的拆解 CARBURETOR

序号	部件代码	部件名称	部件规格	用量	适用车型	备注
S/N	PART CODE	DESCRIPTION	SPECIFICATION	QTY.	VEHICLE MODEL	REMARK
21	11H-1107096	主腔量孔	PRIMARY MAIN JET	1		
22	11H-1107095	功率量孔	POWER JET	1		
23	11H-1107094	固定卡子	CLIP	1		
24	11H-1107058	连杆	CONNECTING ROD	1		
25	11H-1107083	加速器回位弹簧	ACCELERATOR RETURN SPRING	1		
26	11H-1107070	第二节流阀膜片	2ND DIAPHRAGM CHAMBER	1		
27	11H-1107071	衬垫	DIAPHRAGM GASKET	1		
28	11H-1107065	快速怠速调节螺丝	FAST IDLE ADJUSTING SCREW	1		
29	11H-1107064	怠速调节螺丝	IDLE ADJUSTING SCREW	1		
30	11H-1107062	化油器下体	CARBURETOR LOWER BODY	1		
31	11H-1107063	怠速混合调节螺丝	IDLE MIXTURE ADJUSTING SCREW	1		
32	11H-1107061	绝缘垫	INSULATOR	1		
33	11H-1107038	衬垫	GASKET	1		
34	11H-1107037	第二主量孔	2ND MAIN JET	1		
35	11H-1107036	密封垫圈	MAIN PASSAGE PLUG GASKET	1		
36	11H-1107035	密封垫圈	MAIN GUIDE GASKET	1		
37	11H-1107034	观察窗玻璃	SIGHT GLASS	1		
38	11H-1107033	O 形环	O-RING	1		
39	11H-1107032	密封垫圈	AIR HORN GASKET	1		
40	11H-1107039	AAP 真空加速泵	AAP VACUUM ACCELERATING PUMP	1		
41	11H-1107023	浮子	FLOATER	1		
42	11H-1107022	针阀	NEEDLE VALVE	1		

化油器的拆解 CARBURETOR

序号	部件代码	部件名称	部件规格	用量	适用车型	备注
S/N	PART CODE	DESCRIPTION	SPECIFICATION	QTY.	VEHICLE MODEL	REMARK
43	11H-1107020	进气喇叭口总成	AIR HORN ASSY	1		
44	11H-1107021	进气喇叭口	AIR HORN	1		
45	11H-1107024	泵柱塞	PUMP PLUGER	1		
46	11H-1107053	外排气控制阀	OUTSIDE VENT CONTROL VALVE	1		
47	11H-1107054	衬垫	GASKET	1		
48	11H-1107057	阻风门开度限制器	CB CHOKE BREAKER	1		
49	11H-1107056	恒温器壳	THERMOSTAT HOUSING	1		
50	11H-1107055	阻风门加热器	CHOKE HEATER	1		
51	11H-1107040	高温怠速空气补偿	HOT IDLE COMPENSATION	1		
52	11H-1107041	密封垫圈	GASKET	1		
53	11H-1107042	O形环	O-RING	1		
54	11H-1107031	化油器本体	CARBURETOR BODY	1		
55	11H-1107085	连杆	CONNECTING ROD	1		
56	11H-1107084	快速怠速凸轮	FAST IDLE CAM	1		

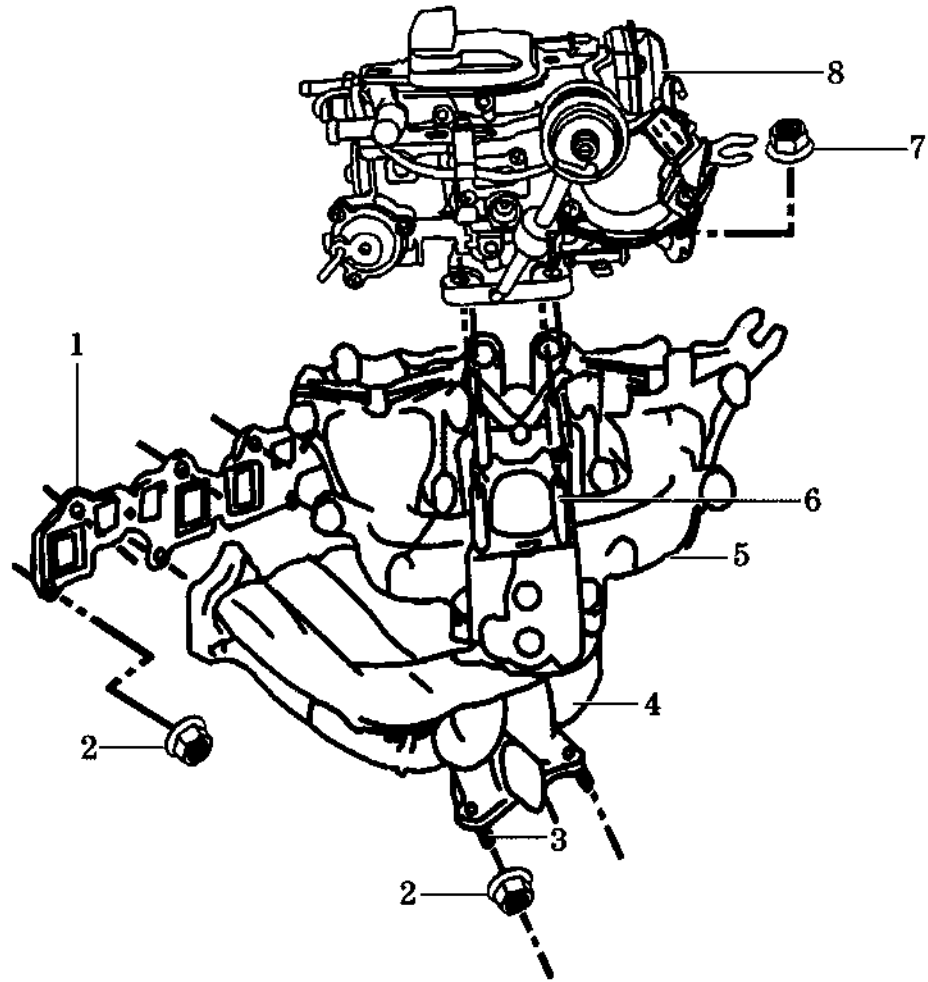
化油器型燃油系 FUEL SYSTEM (CARBURETOR TYPE)



化油器型燃油系 FUEL SYSTEM (CARBURETOR TYPE)

序号 S/N	部件代码 PART CODE	部件名称 DESCRIPTION	部件规格 SPECIFICATION	用量 QTY.	适用车型 VEHICLE MODEL	备注 REMARK
1	11H-1104112	汽油弯管护套 FUEL BEND PIPE SLEEVE		1		
2	JB3675.2-84	小型环箍 12 RING CLIP		4		
3	11H-1104111	汽油泵出油胶管 FUEL OUTLET HOSE		1		
4	11H-1106020	汽油泵 GASOLINE PUMP		1		
5	11H-1107010	化油器 CARBURETOR		1		
6	11H-1003130	真空分配器 VACUUM DISTRIBUTOR		1		
7	11H-1100014	TVSV 阀到 APP 胶管 HOSE(FROM TVSV VALVE) TO APP		1		
8	11H-1003180	温控真空开关阀(TVSV 阀) TEMPERATURE CONTROL VACUUM SWITCH VALVE		1		
9	11H-1100013	TVSV 阀到 CB 阀胶管 HOSE (FROM TVSV VALVE) TO CB VALVE		1		
10	11H-1100012	TVSV 阀到真空分配器胶管 HOSE (FROM TVSV VALVE) TO VACUUM DISTRIBUTOR		1		
11	11H-1100015	真空管油管组合夹 CLIP FOR VACUUM PIPE & FUEL PIPE		1		
12	11H-1100011	真空提前膜合到化油器真 空接口胶管 HOSE TO CARBURETOR VACUUM CONNECTOR		1		
13	11H-3706010	分电器 DISTRIBUTOR		1		
14	11H-1104120	汽油弯管 GASOLINE BEND PIPE		1		
15	11H-1104113	化油器进油胶管 CARBURETOR INTAKE HOSE		1		

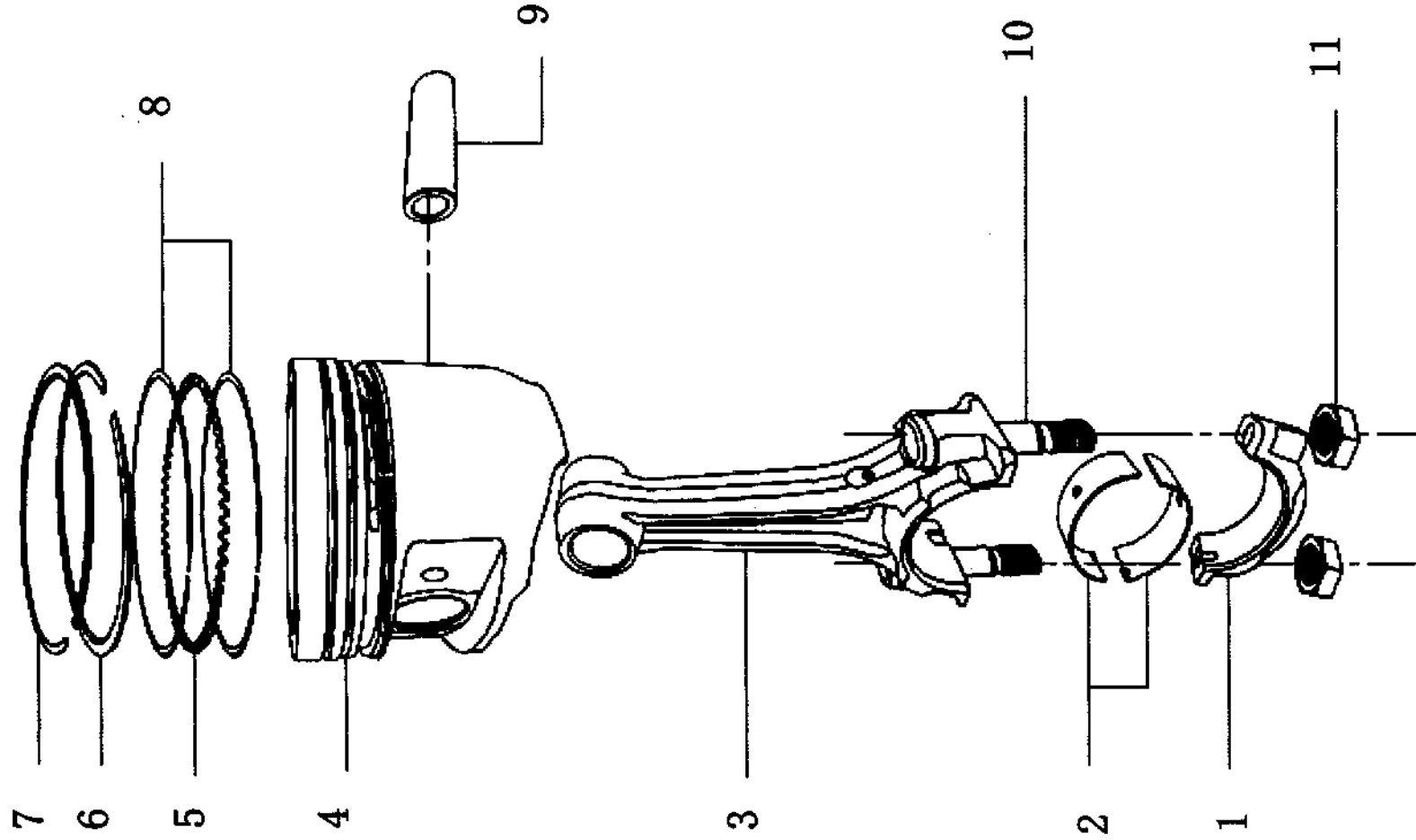
化油器型进排气及化油器 CARBURETOR , AIR INTAKE & EXHAUST (CARBURETOR TYPE)



化油器型进排气及化油器 CARBURETOR , AIR INTAKE & EXHAUST (CARBURETOR TYPE)

序号 S/N	部件代码 PART CODE	部件名称 DESCRIPTION	部件规格 SPECIFICATION	用量 QTY.	适用车型 VEHICLE MODEL	备注 REMARK
1	11H-1008020	进排气管垫组件 INTAKE & EXHAUST PIPE GASKET KIT		1		
2	11H-1008015	进排气管自锁螺母 SELF LOCK NUT	M10×1.25			
3	11H-1008014	进排气管双头螺柱 STUD BOLT				
4	11H-1008012	排气歧管 EXHAUST MANIFORD		1		
5	11H-1008011	进气歧管 INTAKE MANIFORD		1		
6	Q1200835	双头螺柱 STUD BOLT	AM8-M8×35	4		
7	Q340B08	螺母 NUT	M8	4		
8	11H-1107010	化油器 CARBURETOR		1		

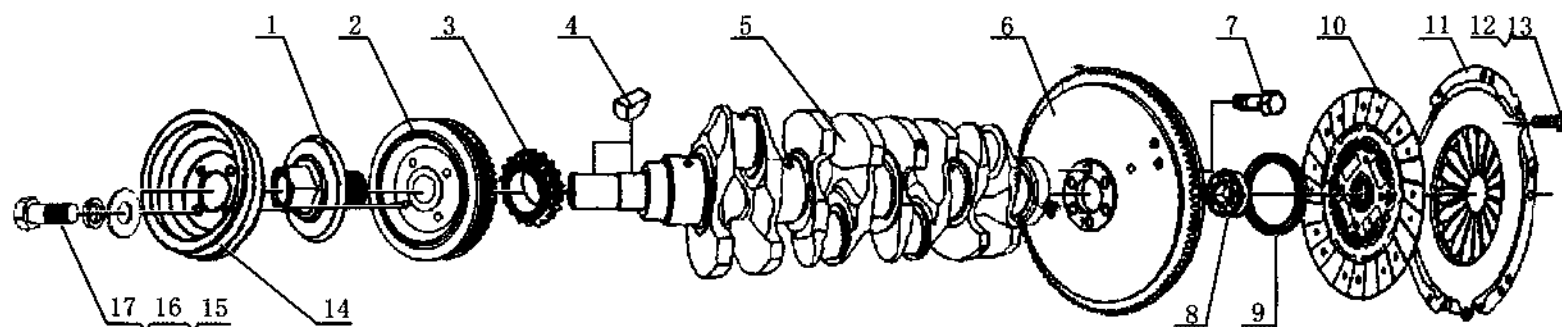
活塞连杆的装配 PISTON CONNECTING ROD



活塞连杆的装配 PISTON CONNECTING ROD

序号	部件代码	部件名称	部件规格	用量	适用车型	备注
S/N	PART CODE	DESCRIPTION	SPECIFICATION	QTY.	VEHICLE MODEL	REMARK
	11H-1004020	连杆组件	PISTON CONNECTING ROD KIT	4		
	11H-1004030	刮油环组件	OIL RING SET	4		
1	11H-1004021	连杆盖	CONNECTING ROD CAP	4		
2	11H-1004023	连杆瓦	CONNECTING ROD BEARING	8		
3	11H-1004024	连杆体	CONNECTING ROD	4		
4	11H-1004015	活塞	PISTON	4		
5	11H-1004031	油环衬簧	OIL RING SPRING	4		
6	11H-1004012	第二道气环	NO.2 COMPRESSION RING	4		
7	11H-1004011	第一道气环	TOP COMPRESSION RING	4		
8	11H-1004032	油环刮片	OIL RING VANE	8		
9	11H-1004016	活塞销	PISTON PIN	4		
10	11H-1004025	连杆螺栓	CONNECTING ROD BOLT	8		
11	11H-1004022	连杆螺母	CONNECTING ROD NUT	8		

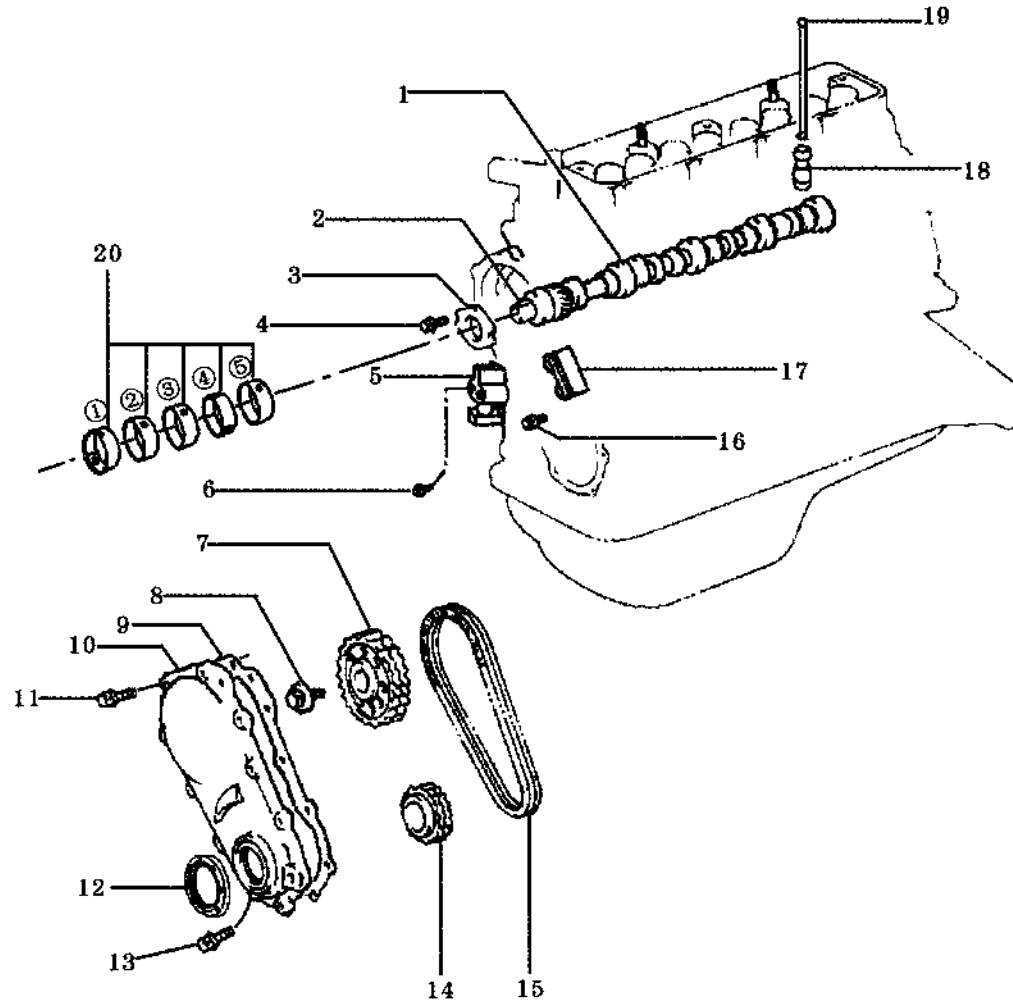
曲轴飞轮的装配 CRANKSHAFT FLYWHEEL



曲轴飞轮的装配 CRANKSHAFT FLYWHEEL

序号 S/N	部件代码 PART CODE	部件名称 DESCRIPTION	部件规格 SPECIFICATION	用量 QTY.	适用车型 VEHICLE MODEL	备注 REMARK
1	11H-1005011	减震皮带轮螺栓	DAMPING BELT PULLEY BOLT	1		
2	11H-1005022	减震皮带轮	DAMPING BELT PULLEY	1		化油器型
	11-1005022	减震皮带轮	DAMPING BELT PULLEY	1		电喷型
3	11H-1005012	曲轴正时链轮	CRANKSHAFT TIMING SPROCKET	1		
4	Q5500519	半圆键	ROUND KEY	1	5x7.5x19	
5	11H-1005015	曲轴	CRANKSHAFT	1		
6	11H-1005030	飞轮及齿圈组件	FLYWHEEL & RING GEAR	1		
7	11H-1005016	飞轮螺栓	FLYWHEEL BOLT	1		
8	6201	轴承	BEARING	1	6201	
9	11H-1002120	后油封	REAR OIL SEAL	1		
10	11-1601035	离合器从动片	CLUTCH DRIVEN DISC	1		
11	11-1601050	离合器压盘	CLUTCH PRESSURE DISC	1		
12	Q150B0818	压盘螺栓	PRESSURE DISC BOLT	1	M8x18	
13	Q40308	弹簧垫圈	SPRING WASHER	1	8	
14	11Y-1005041A	双槽轮	DUAL SLOT PULLEY	1		赛弗、迪尔四驱
15	Q150B0816	螺栓	BOLT	4	M8x16	
16	Q40108	平垫圈	PLAIN WASHER	4	8	
17	Q40308	弹簧垫圈	SPRING WASHER	4	8	

凸轮轴及正时链轮 CAMSHAFT & TIMING SPROCKET



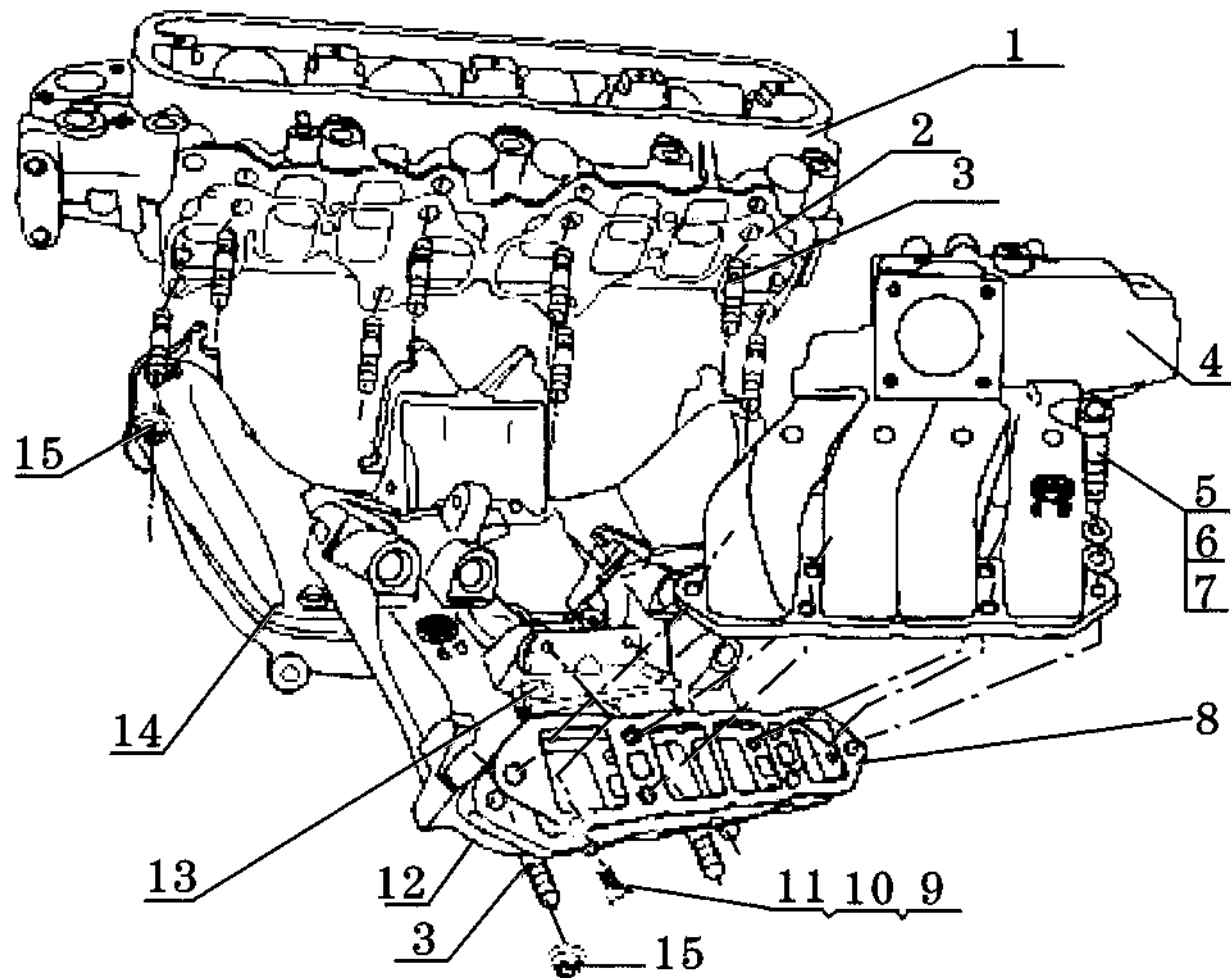
凸轮轴及正时链轮 CAMSHAFT & TIMING SPROCKET

序号 S/N	部件代码 PART CODE	部件名称 DESCRIPTION	部件规格 SPECIFICATION	用量 QTY.	适用车型 VEHICLE MODEL	备注 REMARK
1	11H-1006015	凸轮轴 CAMSHAFT		1		
2	Q5500519	半圆键 ROUND KEY	5×7.5×19	1		
3	11H-1006011	止推盘 THRUST PLATE		1		
4	Q150B0816	螺栓 BOLT	M8×16	2		
	Q40108	平垫圈 PLAIN WASHER	8	2		
	Q40308	标准弹簧垫圈 SPRING WASHER	8	2		
5	11H-1006060	紧链器 TENSIONER		1		
6	Q150B0840	螺栓 BOLT	M8×40	2		
	Q40408	轻型弹簧垫圈 SPRING WASHER	8	2		
7	11H-1006012	凸轮轴正时链轮 CAMSHAFT TIMING SPROCKET		1		
8	11H-1006014	凸轮轴螺栓 CAMSHAFT BOLT		1		
	11H-1006013	凸轮轴垫圈 CAMSHAFT WASHER		1		
9	11H-1002012	链轮室盖垫 SPROCKET CHAMBER COVER GASKET		1		
10	11H-1002051	链轮室盖 SPROCKET CHAMBER COVER		1		
11	Q150B0620	螺栓 BOLT	M6×20	9		
	Q40106	平垫圈 PLAIN WASHER	6	9		
	Q40406	轻型弹簧垫圈 SPRING WASHER	6	9		
12	11H-1002140	前油封 FRONT OIL SEAL		1		
13	Q150B0625	螺栓 BOLT	M6×25	2		
	Q40206	大垫圈 WASHER	6	2		
	Q40406	轻型弹簧垫圈 SPRING WASHER	6	2		
14	11H-1005012	曲轴正时链轮 CRANKSHAFT TIMING SPROCKET		1		

凸轮轴及正时链轮 CAMSHAFT & TIMING SPROCKET

序号 S/N	部件代码 PART CODE	部件名称 DESCRIPTION	部件规格 SPECIFICATION	用量 QTY.	适用车型 VEHICLE MODEL	备注 REMARK
15	11H-1006040	正时链条	TIMING CHAIN	1		
16	Q150B0816	螺栓	BOLT	M8×16	2	
	Q40306	弹簧垫圈	SPRING WASHER	8	2	
17	11H-1006020	阻尼器	DAMPER	1		
18	11H-1007070	液压挺柱	HYDRAULIC LIFTER	8		
19	11H-1007080	推杆	THRUST ROD	8		
20	11H-1002042	凸轮轴 I 轴径衬套	CAMSHAFT BEARING SET I	1		
	11H-1002043	凸轮轴 II 轴径衬套	CAMSHAFT BEARING SET II	1		
	11H-1002044	凸轮轴 III 轴径衬套	CAMSHAFT BEARING SET III	1		
	11H-1002046	凸轮轴 IV 轴径衬套	CAMSHAFT BEARING SET IV	1		
	11H-1002045	凸轮轴 V 轴径衬套	CAMSHAFT BEARING SET V	1		

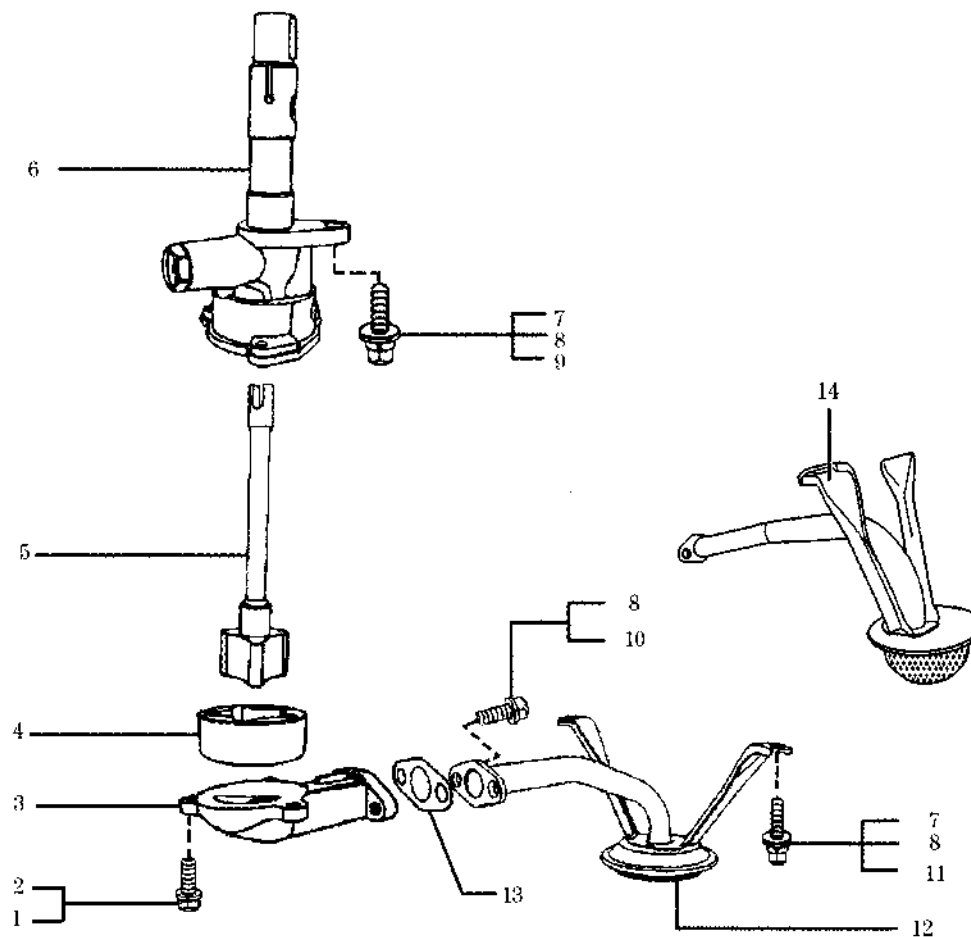
电喷型进排气系统组件 AIR INTAKE & EXHAUST(ELE FUEL INJECTION)



电喷型进排气系统组件 AIR INTAKE & EXHAUST(ELE FUEL INJECTION)

序号 S/N	部件代码 PART CODE	部件名称 DESCRIPTION	部件规格 SPECIFICATION	用量 QTY.	适用车型 VEHICLE MODEL	备注 REMARK
1	11H-1003070	气缸盖	CYLINDER HEAD	1		
2	11H-1008020	进排气歧管垫组件	MANIFOLD GASKET KIT	1		
3	11H-1008014	进排气管双头螺栓	MANIFOLD STUD BOLT	11		
4	11-1008042	进气歧管上体	INTAKE MANIFOLD UPPER BODY	1		
5	Q2180830	内六角螺钉	ALLEN SCREW	6	M8×30	
6	Q40308	弹簧垫圈	SPRING WASHER	6	8	
7	Q40108	平垫圈	PLAIN WASHER	6	8	
8	11-1008046	进气上下体联接垫片	GASKET	1		
9	Q150B0618	螺栓	BOLT	2	M6×18	
10	Q40406	轻型弹簧垫圈	SPRING WASHER	2	6	
11	Q40106	平垫圈	PLAIN WASHER	2	6	
12	11-1008041	进气歧管下体	INTAKE MANIFOLD LOWER BODY	1		
13	11-1008043	线束隔热板	WIRE HARNESS INSULATOR	1		
14	11-1008051	排气歧管	EXHAUST MANIFOLD	1		
15	11H-1008015	进排气管自锁螺母	MANIFOLD SELF LOCK NUT	11	M10×1.25	

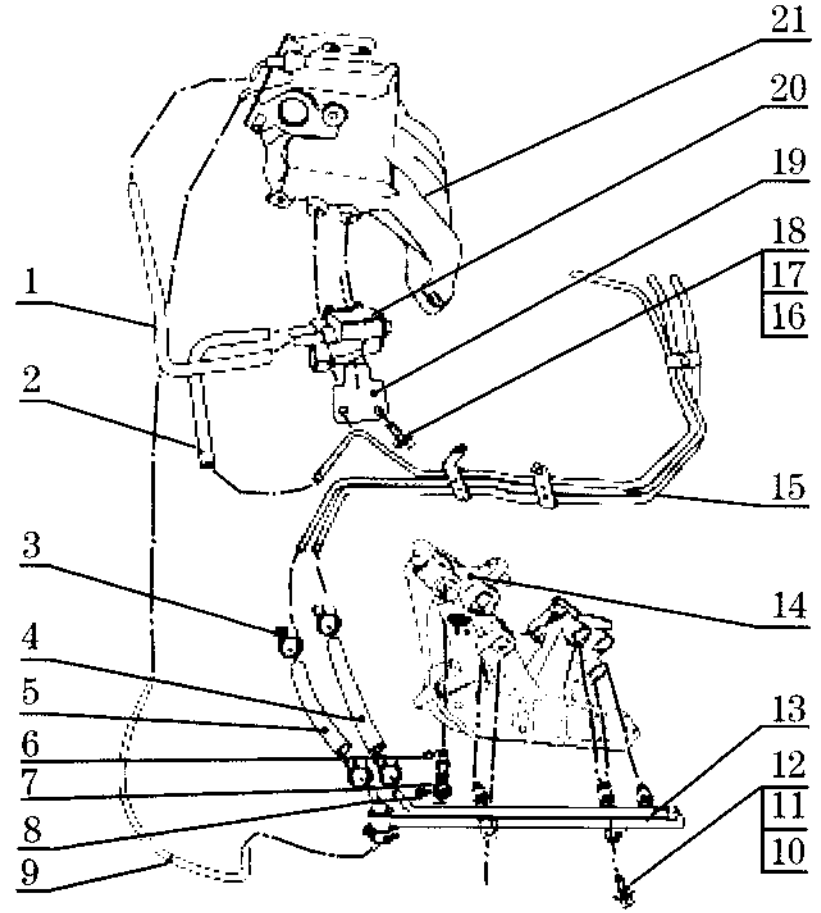
机油泵 - 集滤器组件 OIL PUMP-STRAINER



机油泵 - 集滤器组件 OIL PUMP-STRAINER

序号 S/N	部件代码 PART CODE	部件名称 DESCRIPTION	部件规格 SPECIFICATION	用量 QTY.	适用车型 VEHICLE MODEL	备注 REMARK
	11H-1011020	机油泵组件	OIL PUMP	1		
1	Q150B0618	螺栓	BOLT	3		
2	Q40406	轻型弹簧垫圈	SPRING WASHER	3		
3	11H-1011026	机油泵盖	OIL PUMP COVER	1		
4	11H-1011025	机油泵外转子	OIL PUMP OUTER ROTOR	1		
5	11H-1011030	内转子与心轴组件	INNER ROTOR & SHAFT	1		
6	11H-1011021	机油泵壳体	OIL PUMP HOUSING	1		
7	11H-1010010	平垫圈	PLAIN WASHER	3		
8	11H-1010010	标准型弹簧垫圈	SPRING WASHER	5		
9	11H-1010010	螺栓	BOLT	1		机油泵-缸体
10	11H-1010010	螺栓	BOLT	2		集滤器-机油泵
11	11H-1010010	螺栓	BOLT	2		集滤器-缸体
12	11H-1010011	机油集滤器	OIL STRAINER	1		
13	11H-1010012	集滤器垫片	STRAINER GASKET	1		
14	11Y-1010010	机油集滤器(四驱)	OIL STRAINER (4WD)	1		4WD

燃油系 (一) -DELPHI FUEL SYSTEM(1)



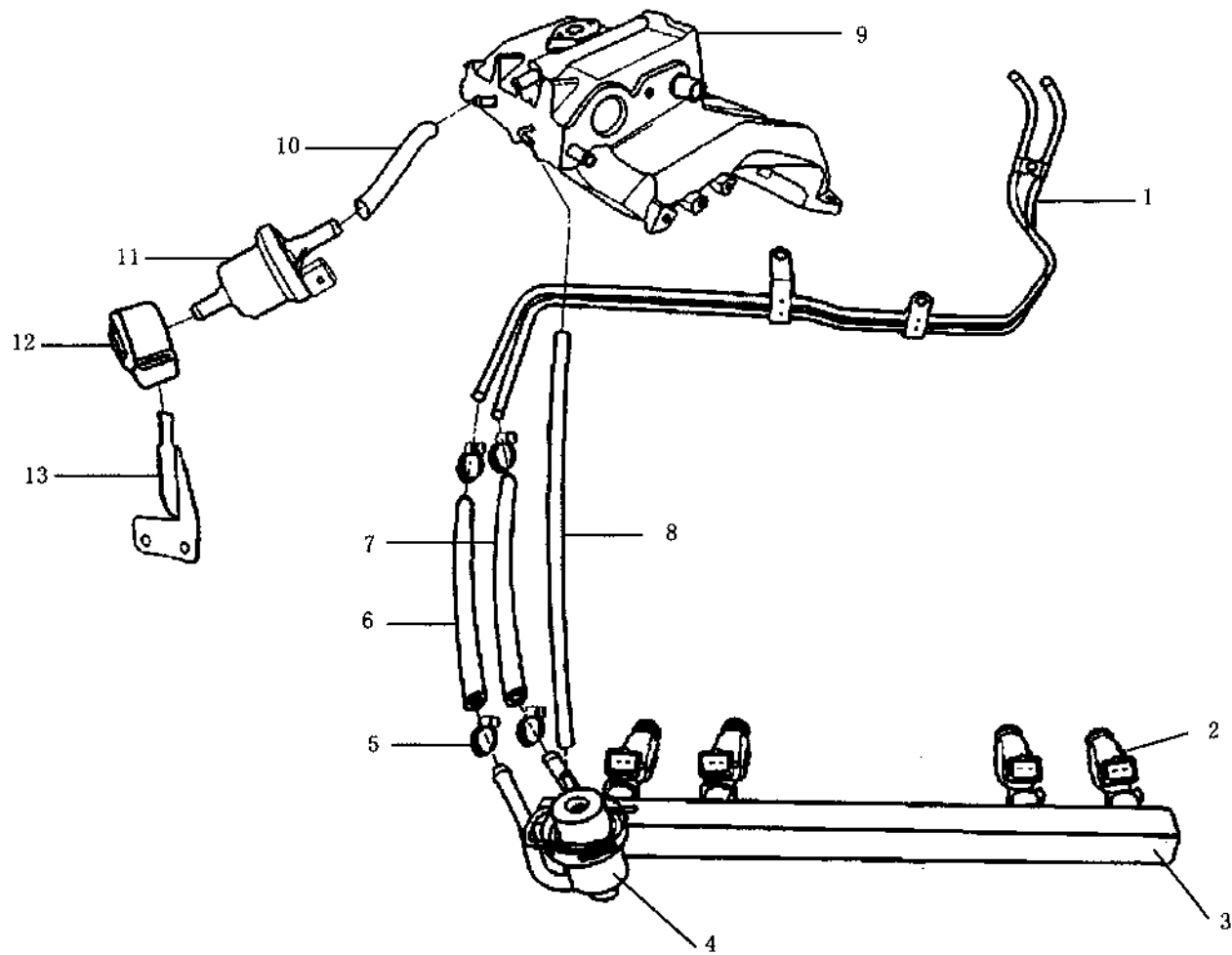
燃油系 (一) -DELPHI FUEL SYSTEM(1)

序号	部件代码	部件名称	部件规格	用量	适用车型	备注
S/N	PART CODE	DESCRIPTION	SPECIFICATION	QTY.	VEHICLE MODEL	REMARK
1	11-3510012	碳罐电磁阀胶管 II CHARCOAL CANISTER ELECTROMAGNETIC VALVE HOSE II		1		
2	11-3510011	碳罐电磁阀胶管 I CHARCOAL CANISTER ELECTROMAGNETIC VALVE HOSE I		1		
3	QC/T619-1999	喉箍 CLIP		4		
4	11-1104101	进油胶管 INTAKE PIPE		1		
5	11-1104102	回油胶管 RETURN HOSE		1		
6	11-1112121	喷油嘴密封胶圈 INJECTOR SEALING RING		4		
7	11-1112120	喷油器 INJECTOR		4		
8	11-1112122	喷油器 - 油轨密封胶圈 SEALING RING		4		
9	11-1104104	压力调节器胶管 PRESSURE REGULATOR HOSE		1		
10	Q150B0825	螺栓 BOLT	M8×25	2		
11	Q40108	平垫圈 PLAIN WASHER	8	2		
12	Q40308	标准弹簧垫圈 SPRING WASHER	8	2		
	11-1112100	燃油分配器总成 FUEL DISTRIBUTOR ASSY		1		
13	11-1112110	燃油分配器 FUEL DISTRIBUTOR		1		
14	11-1008041	进气下体 AIR INTAKE LOWER BODY		1		
15	11-1104130	汽油管焊接组件 GASOLINE PIPE WELDMENT		1		
16	Q150B0612	螺栓 BOLT	M6×12	2		
17	Q40106	平垫圈 PLAIN WASHER	6	2		
18	Q40406	轻型弹簧垫圈 SPRING WASHER	6	2		

燃油系 (一) -DELPHI FUEL SYSTEM(1)

序号 S/N	部件代码 PART CODE	部件名称 DESCRIPTION	部件规格 SPECIFICATION	用量 QTY.	适用车型 VEHICLE MODEL	备注 REMARK
19	11-3510013	碳罐电磁阀支架 CHARCOAL CANISTER ELECTROMAGNETIC VALVE BRACKET		1		
20	11-3510014	碳罐电磁阀 CHARCOAL CANISTER ELECTROMAGNETIC VALVE		1		
21	11-1008042	进气歧管上体 AIR INTAKE UPPER BODY		1		

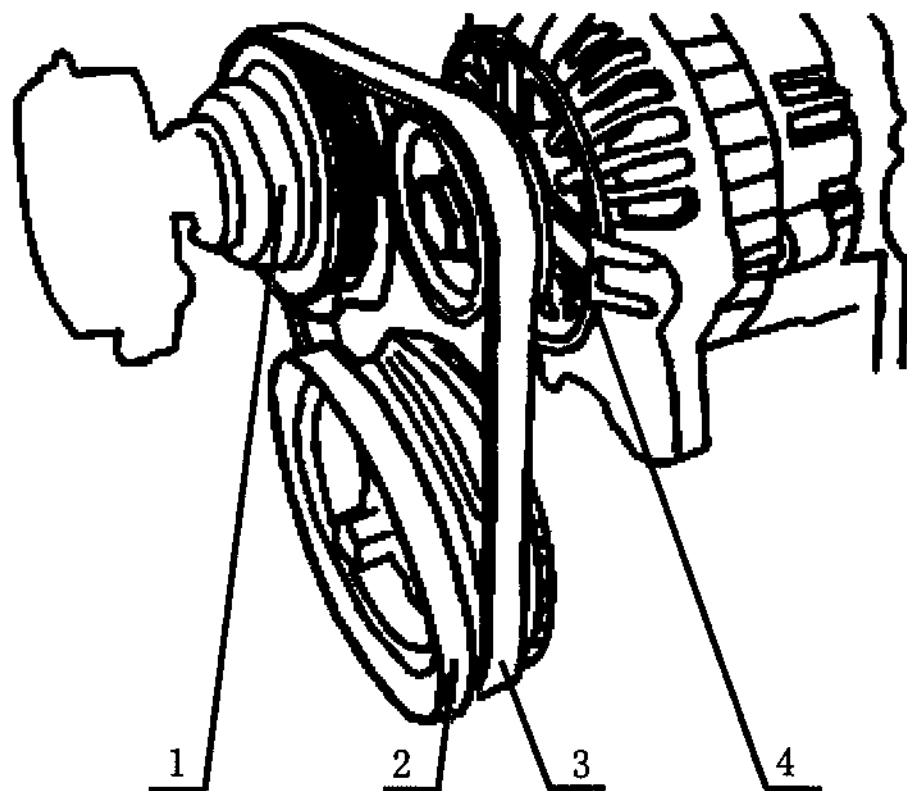
燃油系 (二) -UAES FUEL SYSTEM(2)



燃油系 (二) -UAES FUEL SYSTEM(2)

序号 S/N	部件代码 PART CODE	部件名称 DESCRIPTION	部件规格 SPECIFICATION	用量 QTY.	适用车型 VEHICLE MODEL	备注 REMARK
1	11-1104020B	汽油进回油管焊接组件 FUEL INTAKE & RETURN PIPE WELDMENT ASSY		1		UAES
2	11-1112120B	喷油器 INJECTOR		4		UAES
3	11-1112110B	燃油分配器 FUEL DISTRIBUTOR		1		UAES
4	11-1112130B	燃油压力调节器 FUEL PRESSURE REGULATOR		1		UAES
5	QC/T619-1999	软管环箍 HOSE RING CLIP		4		
6	11-1104102B	汽油回油胶管 FUEL RETURN HOSE		1		UAES
7	11-1104101	汽油进油胶管 FUEL INTAKE HOSE		1		
8	11-1104104B	燃油压力调节器胶管 FUEL PRESSURE REGULATOR HOSE		1		UAES
9	11-1008042B	进气歧管上体 INTAKE MANIFOLD UPPER BODY		1		UAES
10	11-3604102B	碳罐电磁阀胶管 CHARCOAL CANISTER ELECTROMAGNETIC VALVE HOSE		1		UAES
11	11-3604100B	碳罐电磁阀 CHARCOAL CANISTER ELECTROMAGNETIC VALVE		1		UAES
12	11-3604104B	碳罐电磁阀护套 CHARCOAL CANISTER ELECTROMAGNETIC VALVE SLEEVE		1		UAES
13	11-3604101B	碳罐电磁阀支架 CHARCOAL CANISTER ELECTROMAGNETIC VALVE BRACKET		1		UAES

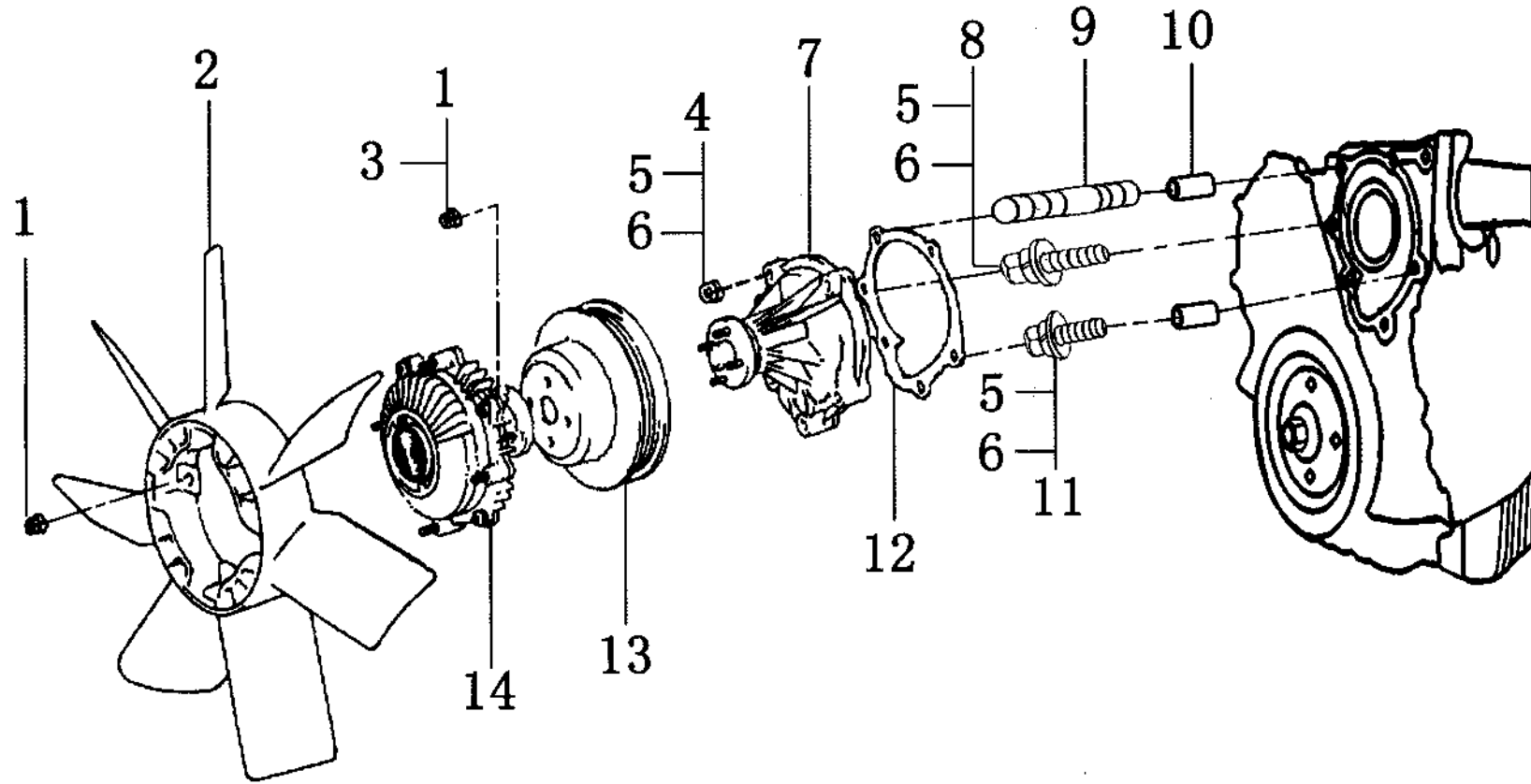
风扇皮带轮 FAN PULLEY



风扇皮带轮 FAN PULLEY

序号 S/N	部件代码 PART CODE	部件名称 DESCRIPTION	部件规格 SPECIFICATION	用量 QTY.	适用车型 VEHICLE MODEL	备注 REMARK
1	11H-1300041	风扇皮带轮 FAN PULLEY		1		
2	11H-1005022	减震皮带轮 DAMPING PULLEY		1		
3	11H-1300011	减震皮带 DAMPING BELT		1		
4	11H-3701020	发电机 GENERATOR		1		

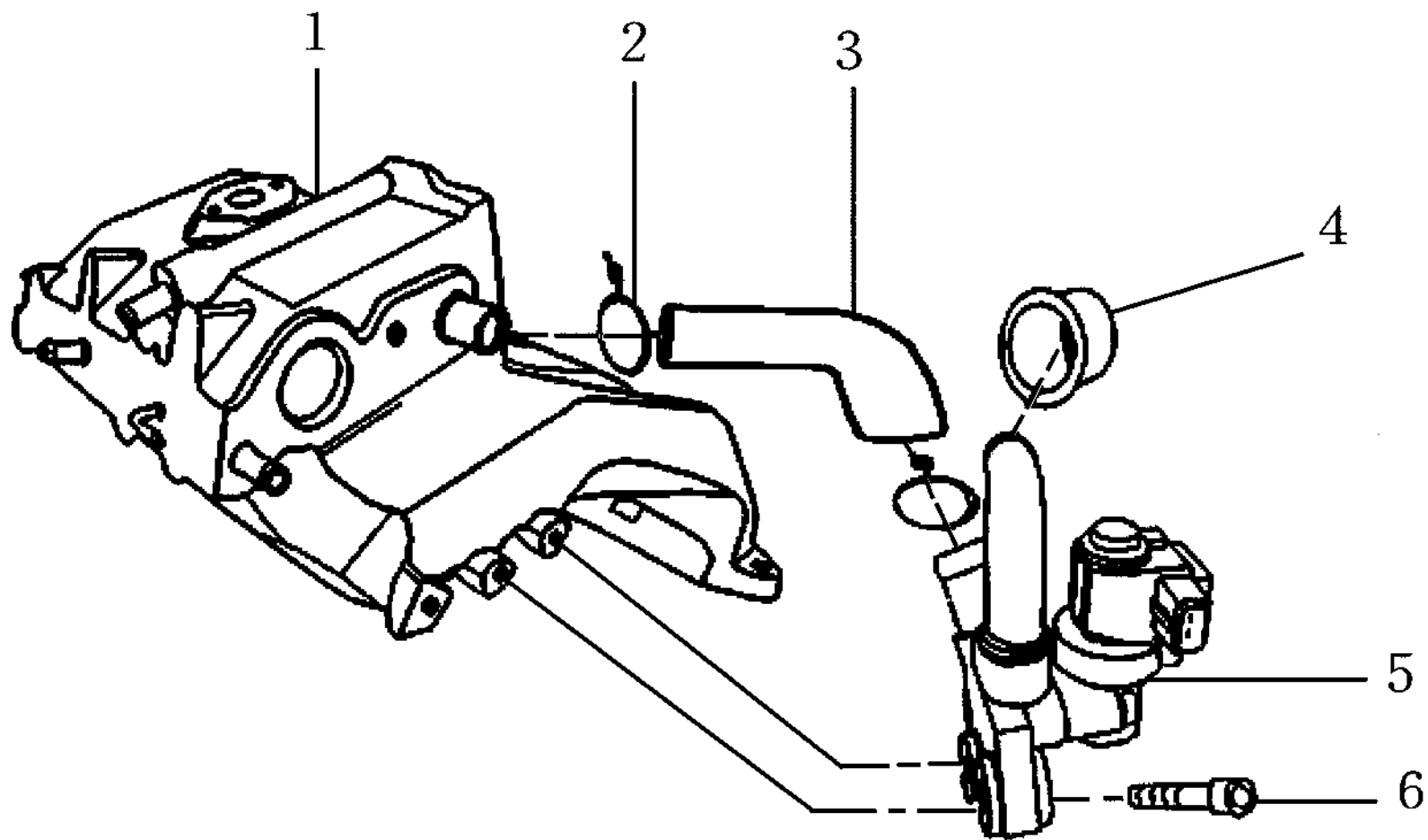
水泵风扇组装 WATER PUMP FAN



水泵风扇组装 WATER PUMP FAN

序号 S/N	部件代码 PART CODE	部件名称 DESCRIPTION	部件规格 SPECIFICATION	用量 QTY.	适用车型 VEHICLE MODEL	备注 REMARK
1	Q340B06	螺母	NUT	M6	8	
2	11-1308010	七叶风扇组件	FAN KIT		1	
3	Q40406	轻型弹簧垫圈	SPRING WASHER	6	4	
4	Q340B08	螺母	NUT	M8	1	
5	Q40308	型弹簧垫圈	SPRING WASHER	8	5	
6	Q40108	平垫圈	PLAIN WASHER	8	5	
7	11-1307020	水泵组件	WATER PUMP KIT		1	
8	Q150B0865	螺栓	BOLT	M8×65	2	
9	Q1200860	双头螺栓	STUD BOLT	AM8-M8×60	1	
10	11-1002052	水泵定位销套	WATER PUMP DOWEL PIN BUSHING		2	
11	Q150B0830	螺栓	BOLT	M8×30	2	
12	11-1300017	水泵体衬垫	WATER PUMP GASKET		1	
13	11-1300041	风扇皮带轮	FAN PULLEY		1	
14	11-1304010	硅油离合器总成	SILICON OIL CLUTCH ASSY		1	

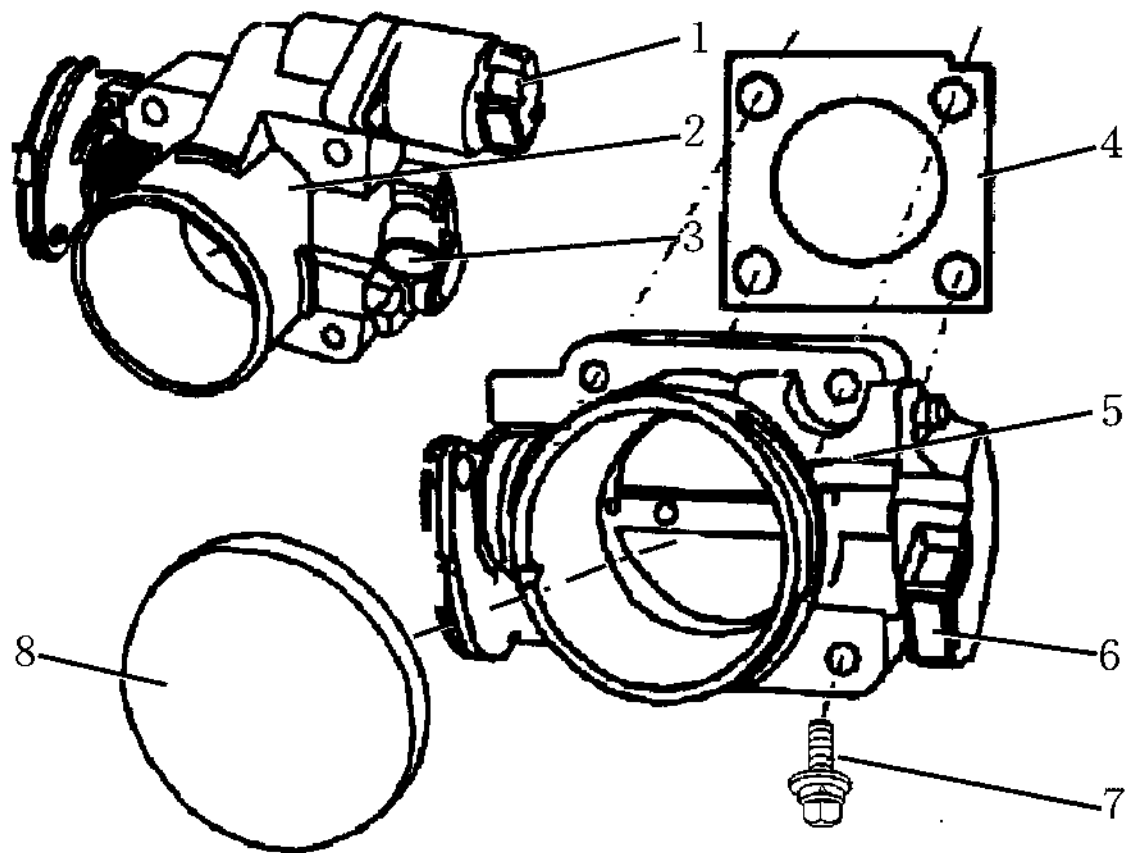
怠速控制阀的安装 -UAES IDLE AIR CONTROL VALVE



怠速控制阀的安装 -UAES IDLE AIR CONTROL VALVE

序号 S/N	部件代码 PART CODE	部件名称 DESCRIPTION	部件规格 SPECIFICATION	用量 QTY.	适用车型 VEHICLE MODEL	备注 REMARK
1	11-1008042B	进气歧管上体 INTAKE MANIFOLD UPPER BODY		1		UAES
2	Q67612	卡箍 CLIP		2		
3	11-3606101B	怠速控制阀-进气上体胶管 IAC VALVE INTAKE HOSE		1		UAES
4	11-3604105B	怠速进气孔胶帽 IDLE INTAKE PORT RUBBER CAP		1		UAES
5	11-3606100B	怠速控制阀支架总成 IAC VALVE BRACKET ASSY		1		UAES
6	Q174B0630	内六角圆柱头螺钉 ALLEN SCREW	M6x30	2		

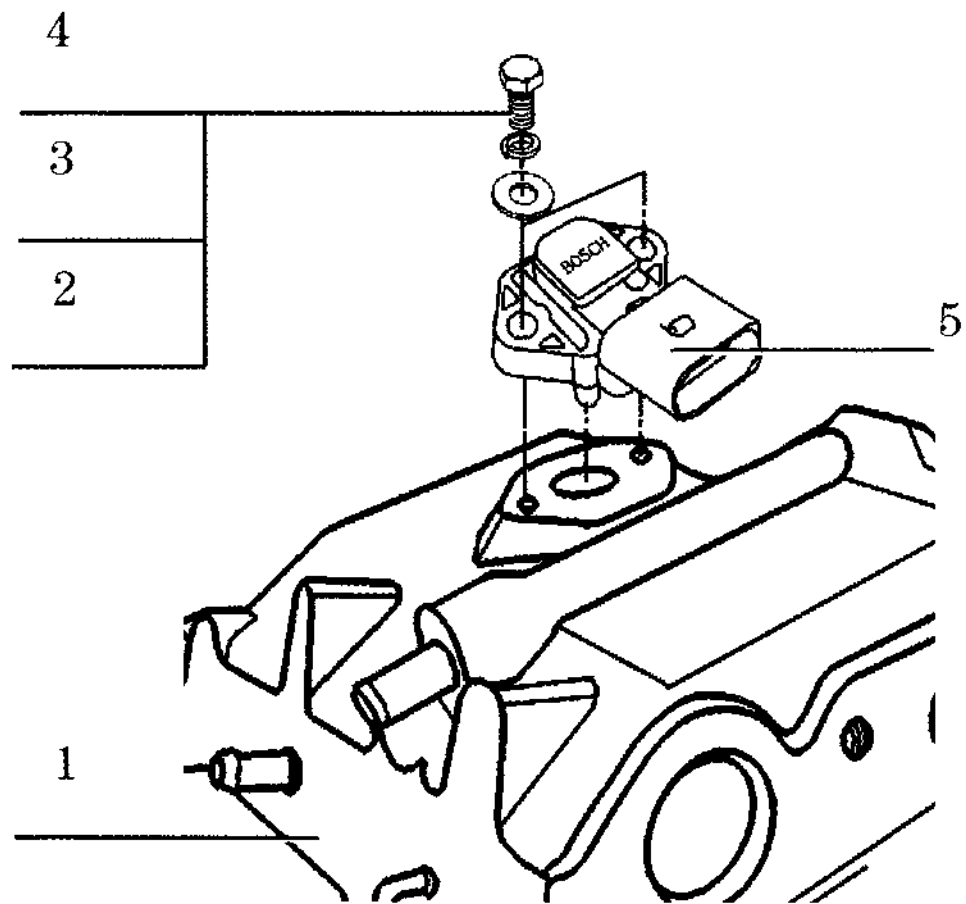
节气门体的装配 THROTTLE VALVE BODY



节气门体的装配 THROTTLE VALVE BODY

序号	部件代码	部件名称	部件规格	用量	适用车型	备注
S/N	PART CODE	DESCRIPTION	SPECIFICATION	QTY.	VEHICLE MODEL	REMARK
1	11-3728010	怠速步进电机	STEPPER MOTOR FOR IDLE-SPEED CONTROL	1		
2	11-1008110	节气门体	THROTTLE BODY	1		
3	11-3600030	节气门位置传感器	THROTTLE POSITION SENSOR	1		
4	11-1008101	节气门垫片	THROTTLE GASKET	1		
5	11-1008100B	节气门体	THROTTLE BODY	1		
6	11-3600030B	节气门位置传感器	THROTTLE POSITION SENSOR	1		UAES
7	Q150B0640	螺栓	BOLT	4		
	Q40406	轻型弹簧垫圈	SPRING WASHER	4		
	Q40106	平垫圈	PLAIN WASHER	4		
8	11-1008102	节气门体堵盖	THROTTLE PLUG	1		

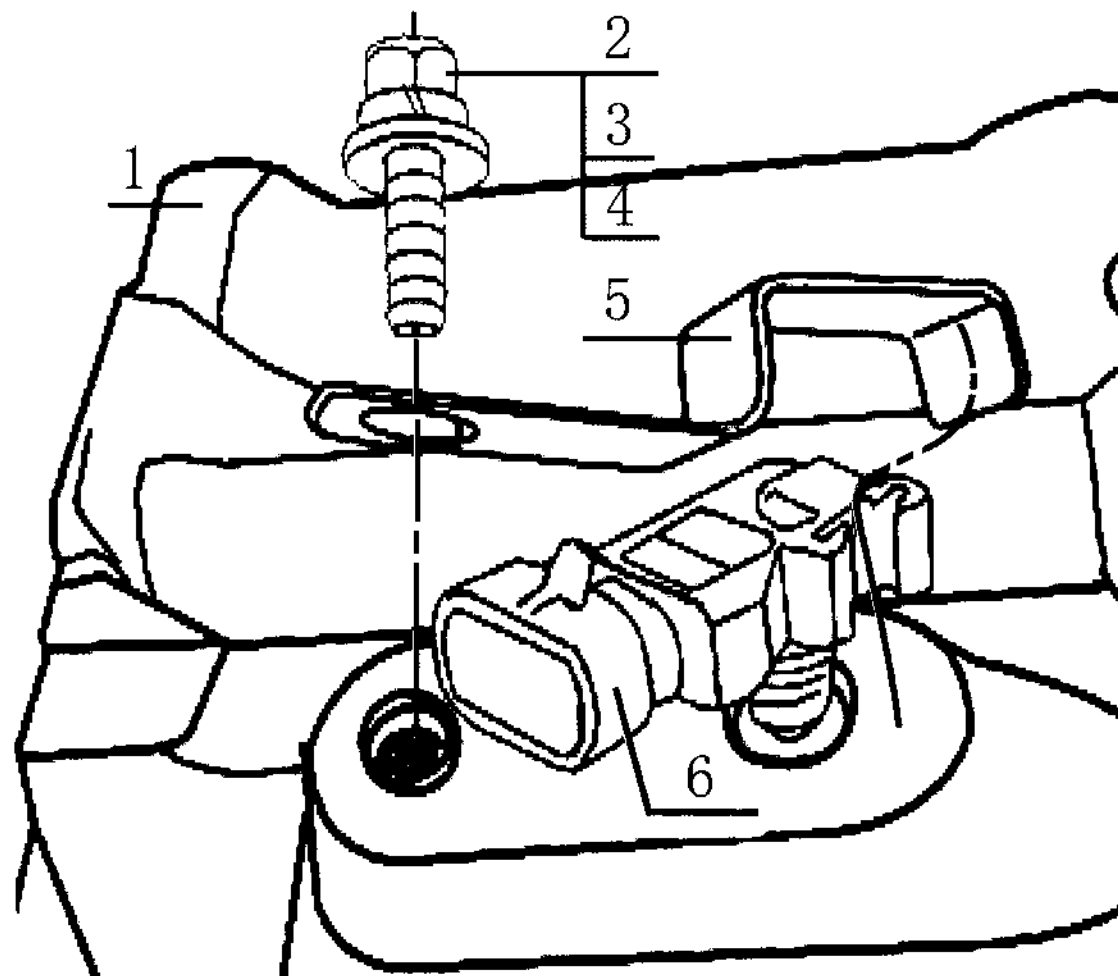
进气压力传感器 (一) AIR INTAKE PRESSURE SENSOR(1)



进气压力传感器 (一) AIR INTAKE PRESSURE SENSOR(1)

序号 S/N	部件代码 PART CODE	部件名称 DESCRIPTION	部件规格 SPECIFICATION	用量 QTY.	适用车型 VEHICLE MODEL	备注 REMARK
1	11-1008042B	进气歧管上体 INTAKE MANIFOLD UPPER BODY		1		UAES
2	Q150B0612	螺栓 BOLT	M6×12	2		
3	Q40306	标准弹簧垫圈 SPRING WASHER	6	2		
4	Q40106	平垫圈 PLAIN WASHER	6	2		
5	11-3600040B	进气压力及温度传感器 AIR INTAKE PRESSURE & TEMPERATURE SENSOR		1		UAES

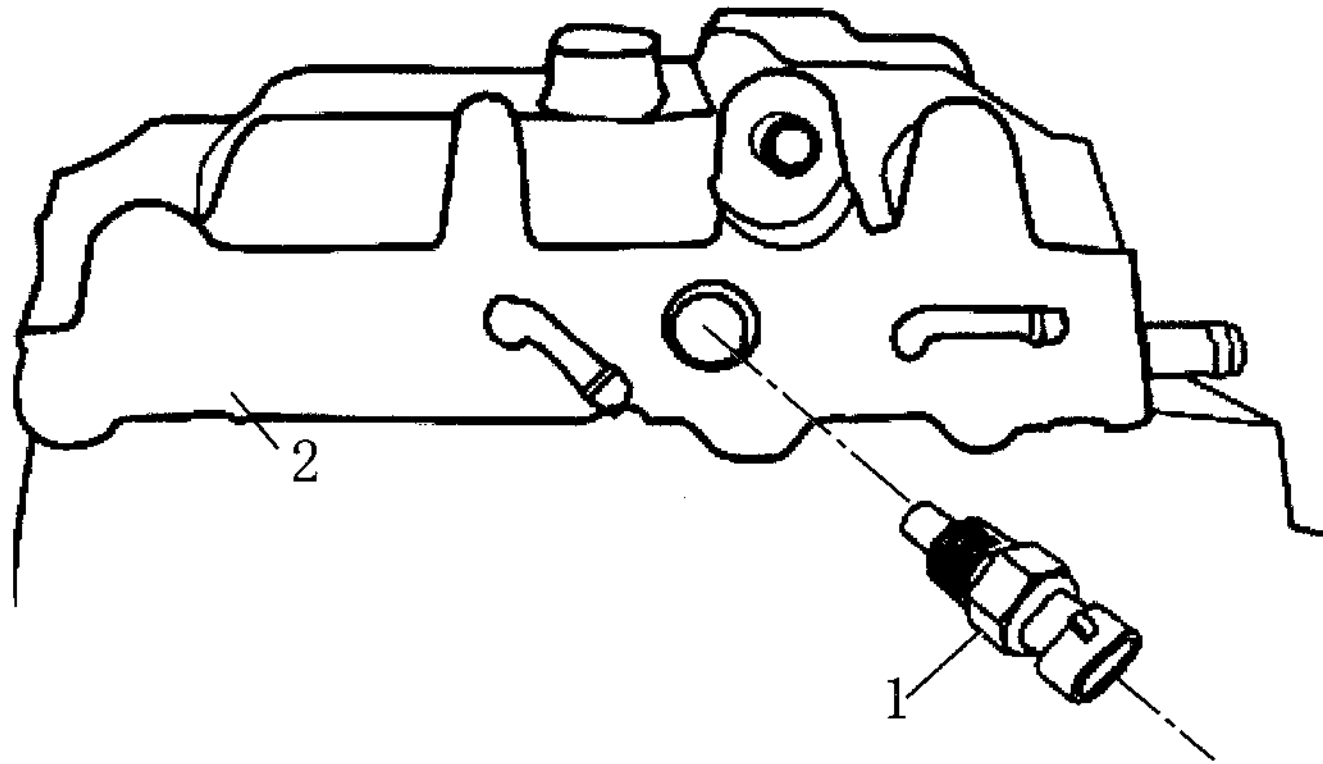
进气压力传感器 (二) AIR INTAKE PRESSURE SENSOR(2)



进气压力传感器（二） AIR INTAKE PRESSURE SENSOR(2)

序号 S/N	部件代码 PART CODE	部件名称 DESCRIPTION	部件规格 SPECIFICATION	用量 QTY.	适用车型 VEHICLE MODEL	备注 REMARK
1	11-1008042	进气歧管上体 INTAKE MANIFOLD UPPER BODY		1		
2	GB5783-86	螺栓 BOLT	M6×12	1		
3	GB859-87	标准弹簧垫圈 SPRING WASHER	6	1		
4	GB97.1-85	平垫圈 PLAIN WASHER	6	1		
5	11-3609301	绝对压力传感器支架 ABSOLUTE PRESSURE SENSOR BRACKET		1		
6	11-3609300	绝对压力传感器 ABSOLUTE PRESSUER SENSOR		1		

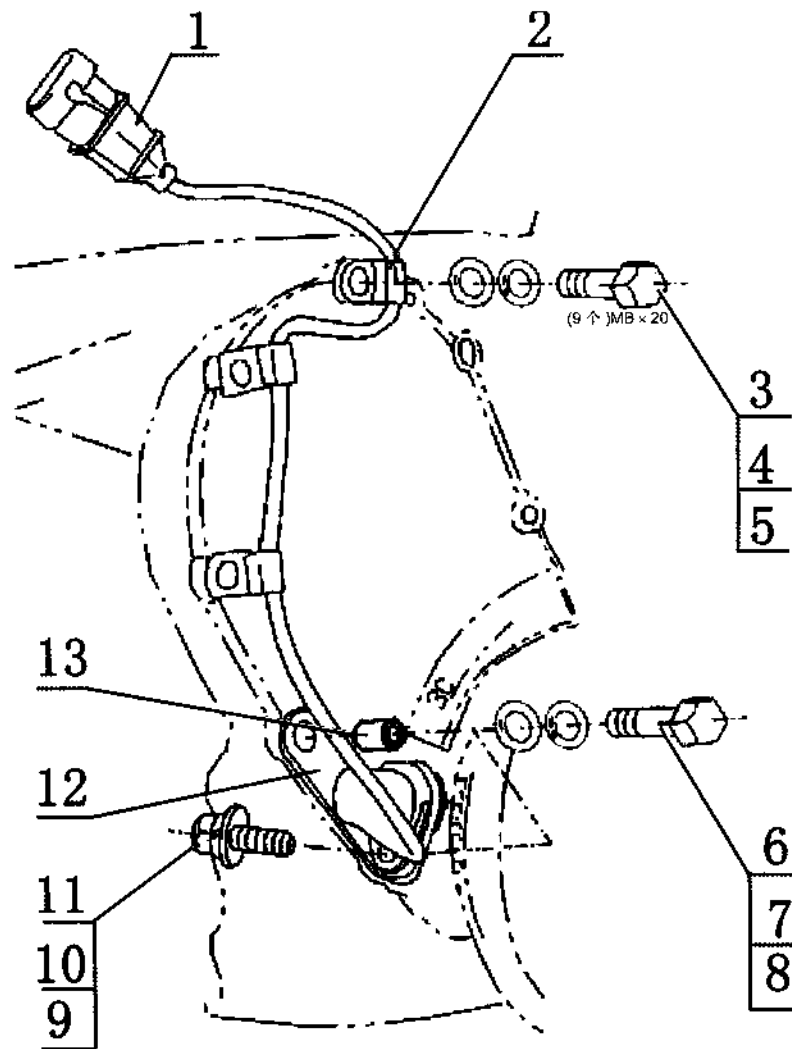
进气温度传感器 AIR INTAKE TEMPERATURE SENSOR



进气温度传感器 AIR INTAKE TEMPERATURE SENSOR

序号 S/N	部件代码 PART CODE	部件名称 DESCRIPTION	部件规格 SPECIFICATION	用量 QTY.	适用车型 VEHICLE MODEL	备注 REMARK
1	11-3609310	进气温度传感器 AIR INTAKE TEMPERATURE SENSOR		1		
2	11-1008042	进气歧管上体 AIR INTAKE UPPER BODY		1		

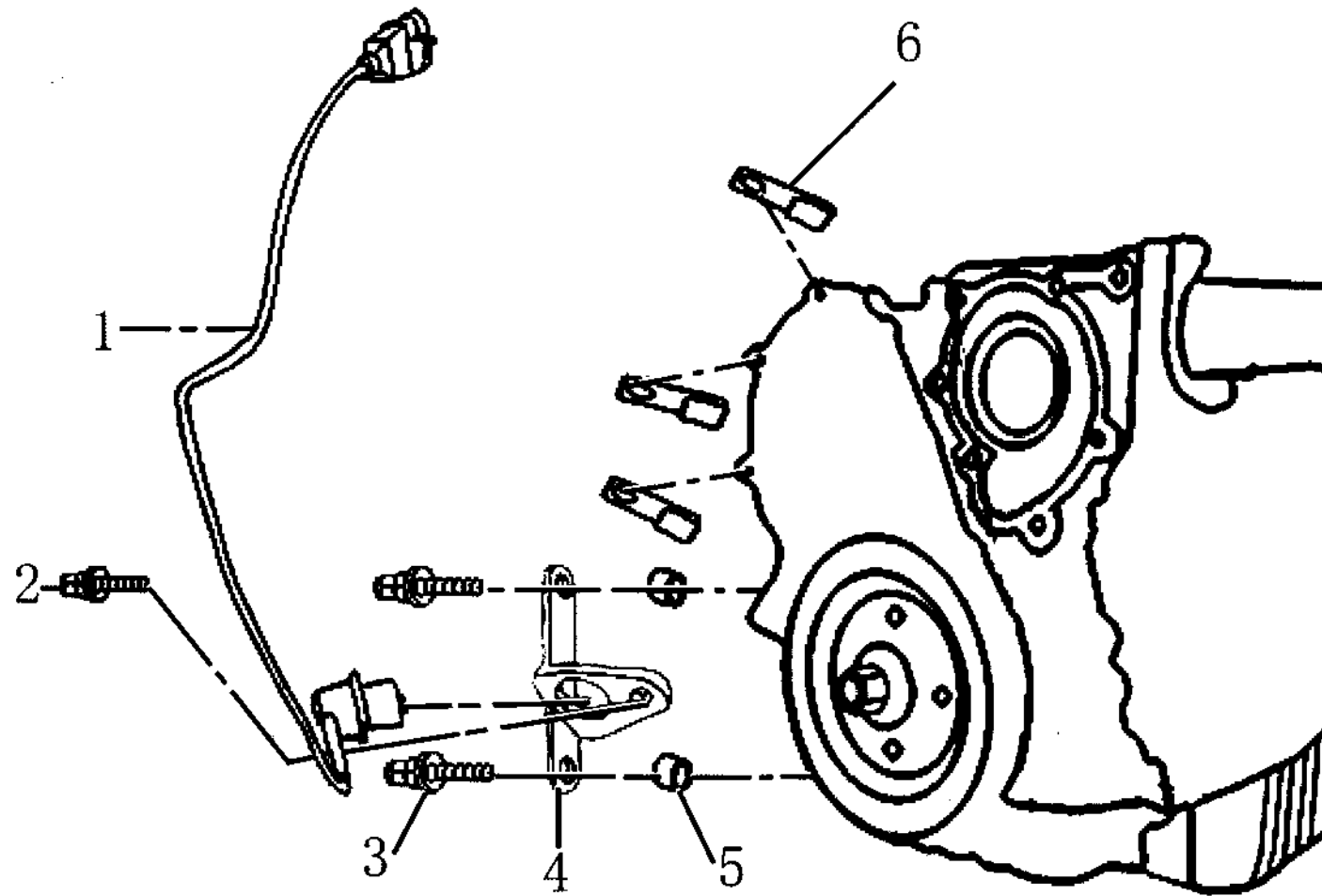
曲轴位置传感器 CRANKSHAFT POSITION SENSOR



曲轴位置传感器 CRANKSHAFT POSITION SENSOR

序号 S/N	部件代码 PART CODE	部件名称 DESCRIPTION	部件规格 SPECIFICATION	用量 QTY.	适用车型 VEHICLE MODEL	备注 REMARK
1	11-3609400	曲轴位置传感器 CRANKSHAFT POSITION SENSOR		1		
2	11-3609403	曲轴位置传感器线卡子 CRANKSHAFT POSITION SENSOR WIRE CLIP		3		
3	Q150B0820	螺栓 BOLT	M8×20	9		
4	Q40308	弹簧垫圈 SPRING WASHER	8	9		
5	Q40108	平垫圈 PLAIN WASHER	8	9		
6	Q150B0625	螺栓 BOLT	M6×25	2		
7	Q40306	弹簧垫圈 SPRING WASHER	6	2		
8	Q40206	大垫圈 BIG WASHER	6	2		
9	150B0612	螺栓 BOLT	M6×12	1		
10	Q40406	轻型弹簧垫圈 SPRING WASHER	6	1		
11	Q40106	平垫圈 PLAIN WASHER	6	1		
12	11-3609401	曲轴位置传感器支架 CRANKSHAFT POSITION SENSOR SENSORBRACKET		1		
13	11-3609402	曲轴位置传感器支架定位销 CRANKSHAFT POSITION SENSOR BRACKET DOWEL PIN		1		

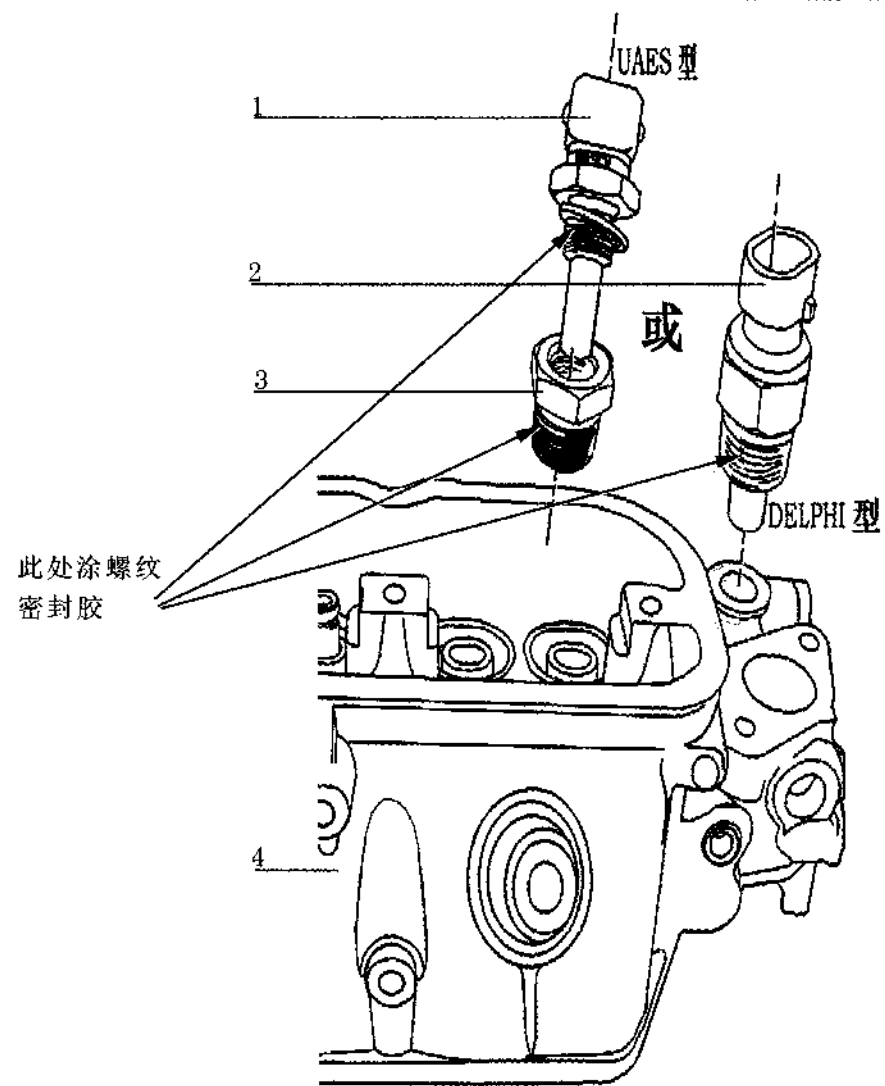
曲轴位置传感器 CRANKSHAFT POSITION SENSOR



曲轴位置传感器 CRANKSHAFT POSITION SENSOR

序号 S/N	部件代码 PART CODE	部件名称 DESCRIPTION	部件规格 SPECIFICATION	用量 QTY.	适用车型 VEHICLE MODEL	备注 REMARK
1	11-3609400B	曲轴位置传感器 CRANKSHAFT POSITION SENSOR		1	UAES	UAES
2	Q150B0612	螺栓 BOLT	M6×12	1		
	Q40406	轻型弹簧垫圈 SPRING WASHER	6	1		
	Q40106	平垫圈 PLAIN WASHER	6	1		
3	Q150B0625	螺栓 BOLT	M6×25	2		
	Q40406	轻型弹簧垫圈 SPRING WASHER	6	2		
	Q40106	平垫圈 PLAIN WASHER	6	2		
4	11-3609401B	曲轴位置传感器支架 CRANKSHAFT POSITION SENSOR BRACKET		1	UAES	UAES
5	11-3609402B	定位销套 DOWEL PIN BUSHING		2	UAES	UAES
6	11-3609403B	曲轴传感器线卡子 CRANKSHAFT SENSOR WIRE CLIP		3	UAES	UAES

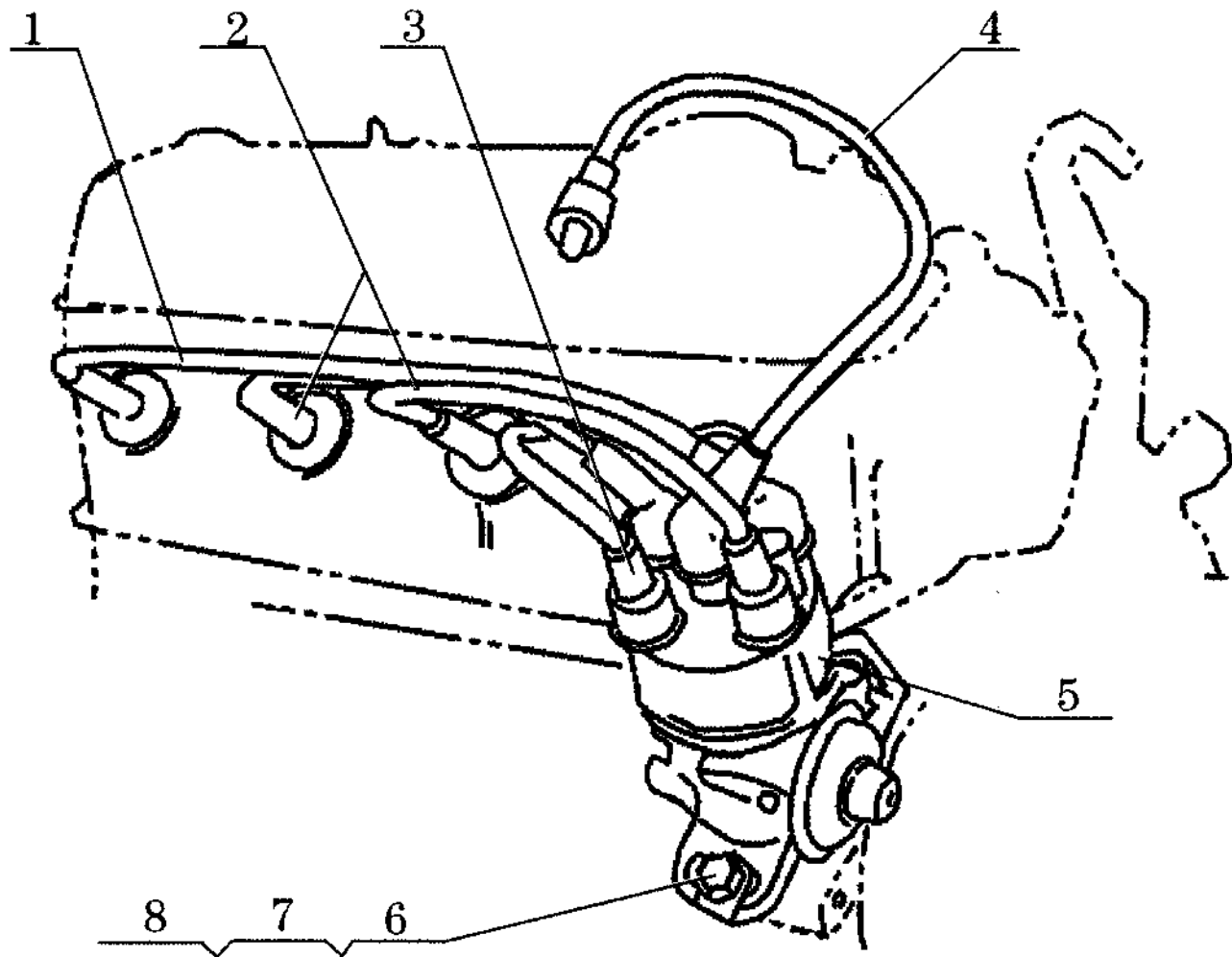
冷却液温度传感器的安装 COOLANT TEMPERATURE SENSOR



冷却液温度传感器的安装 COOLANT TEMPERATURE SENSOR

序号 S/N	部件代码 PART CODE	部件名称 DESCRIPTION	部件规格 SPECIFICATION	用量 QTY.	适用车型 VEHICLE MODEL	备注 REMARK
1	11-3609500B	冷却液温度传感器 COOLANT TEMPERATURE SENSOR		1	UAES	UAES
2	11-3609500	冷却液温度传感器 COOLANT TEMPERATURE SENSOR		1		德尔福型
3	11-3609501B	冷却液温度传感器过度螺塞 COOLANT TEMPERATURE SENSOR PLUG		1	UAES	UAES
4	11-1003070	缸盖 CYLINDER HEAD		1		

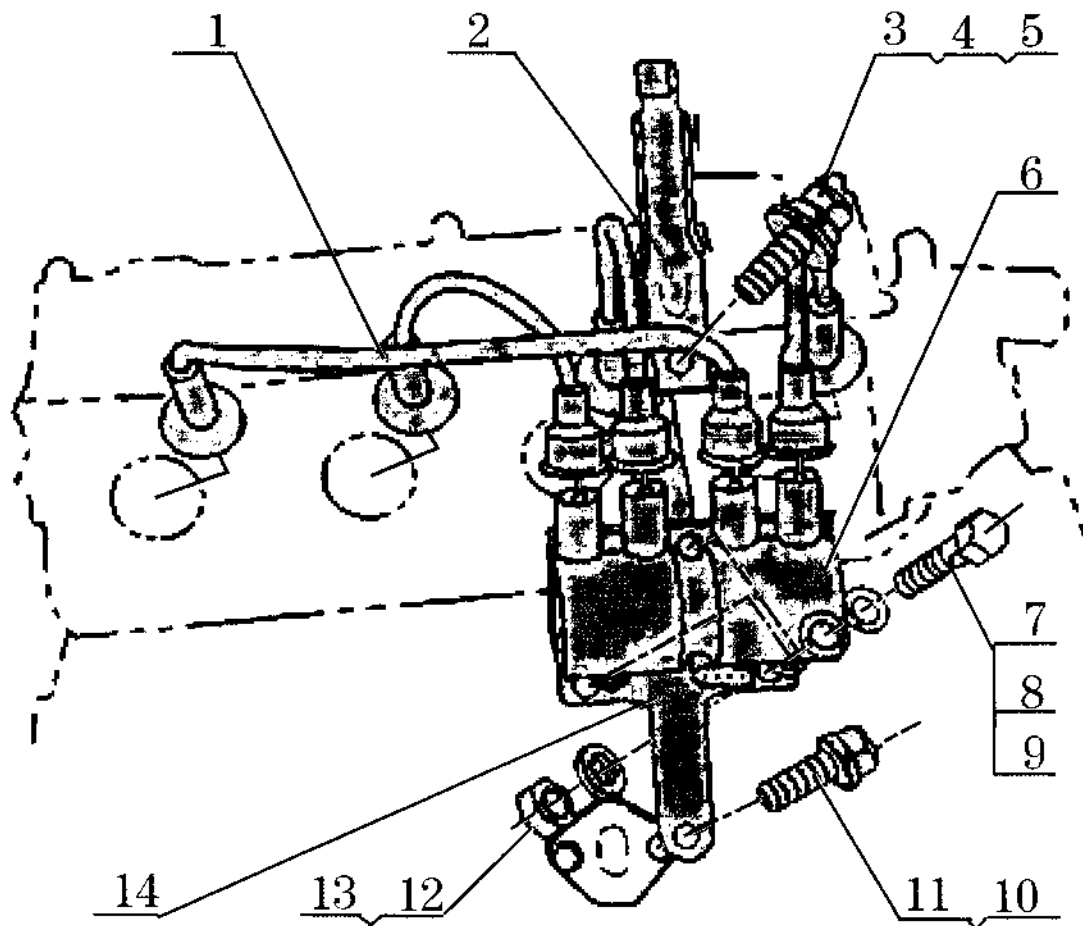
分电器及阻尼线的装配 - 化油器型 DISTRIBUTOR & DAMPING CABLE (CARBURETOR TYPE)



分电器及阻尼线的装配 - 化油器型 DISTRIBUTOR & DAMPING CABLE (CARBURETOR TYPE)

序号 S/N	部件代码 PART CODE	部件名称 DESCRIPTION	部件规格 SPECIFICATION	用量 QTY.	适用车型 VEHICLE MODEL	备注 REMARK
	11H-3707020	高压线组件	HIGH VOLTAGE WIRE SET			
1	11H-3707024	4缸高压线	4TH CYLINDER HIGH VOLTAGE WIRE	1		
2	11H-3707022	2、3缸高压线	2ND & 3RD CYLINDER HIGH VOLTAGE WIRE	2		
3	11H-37070201	1缸高压线	1ST CYLINDER HIGH VOLATAGE WIRE	1		
4	11H-3707025	点火线圈至分电器高压线	HIGH VOLTAGE WIRE (FROM IGNITION COIL) TO DISTRIBUTOR	1		
5	11H-3706021	分电器壳	DISTRIBUTOR HOUSING	1		
6	Q150B0825	螺栓	BOLT	1	M8×25	
7	Q40408	轻型弹簧垫圈	SPRING WASHER	1	8	
8	11H-3706011	分电器垫圈	DISTRIBUTOR WASHER	1		

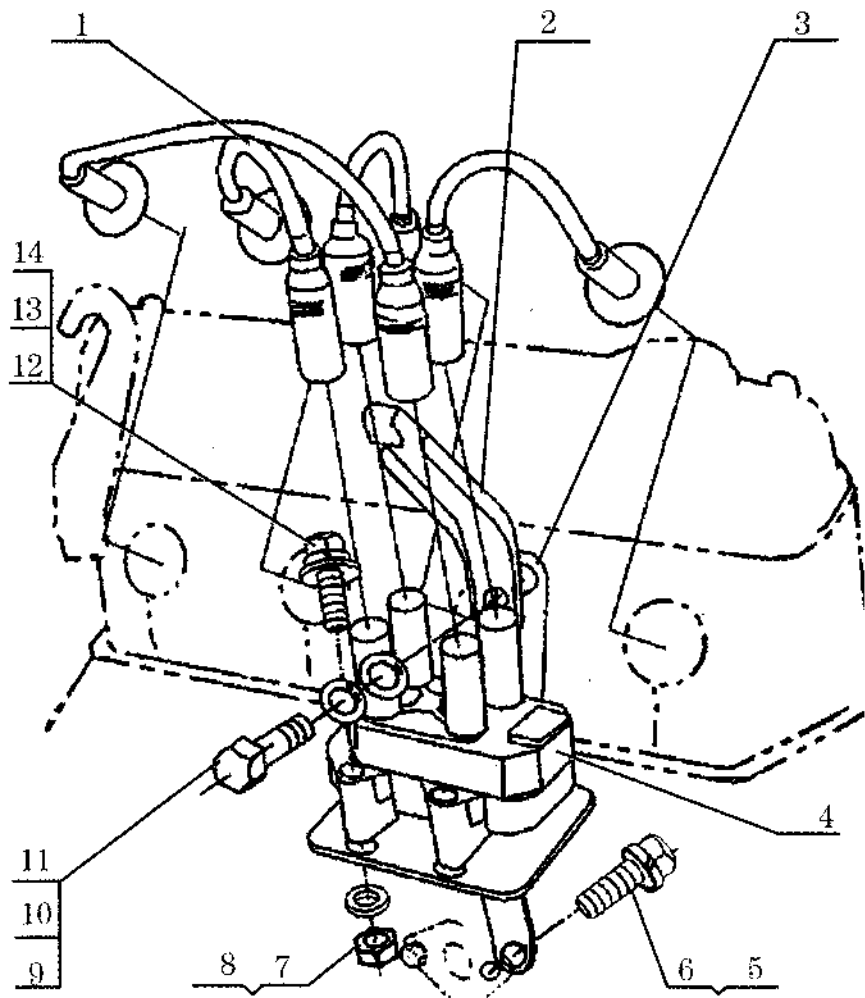
点火线圈及高压阻尼线 -DELPHI IGNITION CIL & HIGH VOLTAGE DAMPING WIRE



点火线圈及高压阻尼线 -DELPHI IGNITION COIL & HIGH VOLTAGE DAMPING WIRE

序号 S/N	部件代码 PART CODE	部件名称 DESCRIPTION	部件规格 SPECIFICATION	用量 QTY.	适用车型 VEHICLE MODEL	备注 REMARK
1	11-3707100	高压阻尼线 HIGH VOLTAGE DAMPING WIRE		1套		华北迪尔型
2	11-1108101	油门拉线支架II ACCELERATOR CABLE BRACKET II		1		不装
3	Q150B0820	螺栓 BOLT	M8×20	1		
4	Q40108	平垫圈 PLAIN WASHER	8	1		
5	Q40308	弹簧垫圈 SPRING WASHER	8	1		
6	11-3705100	点火线圈 IGNITION COIL		1		
7	Q150B0635	螺栓 BOLT	M6×35	3		
8	Q40406	轻型弹簧垫圈 SPRING WASHER	6	3		
9	Q40106	平垫圈 PLAIN WASHER	6	3		
10	Q150B0820	螺栓 BOLT	M8×20	1		
11	Q40308	弹簧垫圈 SPRING WASHER	8	1		
12	Q340B06	螺母 NUT	M6	3		
13	Q40106	平垫圈 PLAIN WASHER	6	3		
14	11-3705101	点火线圈支架 IGNITION COIL BRACKET		1		

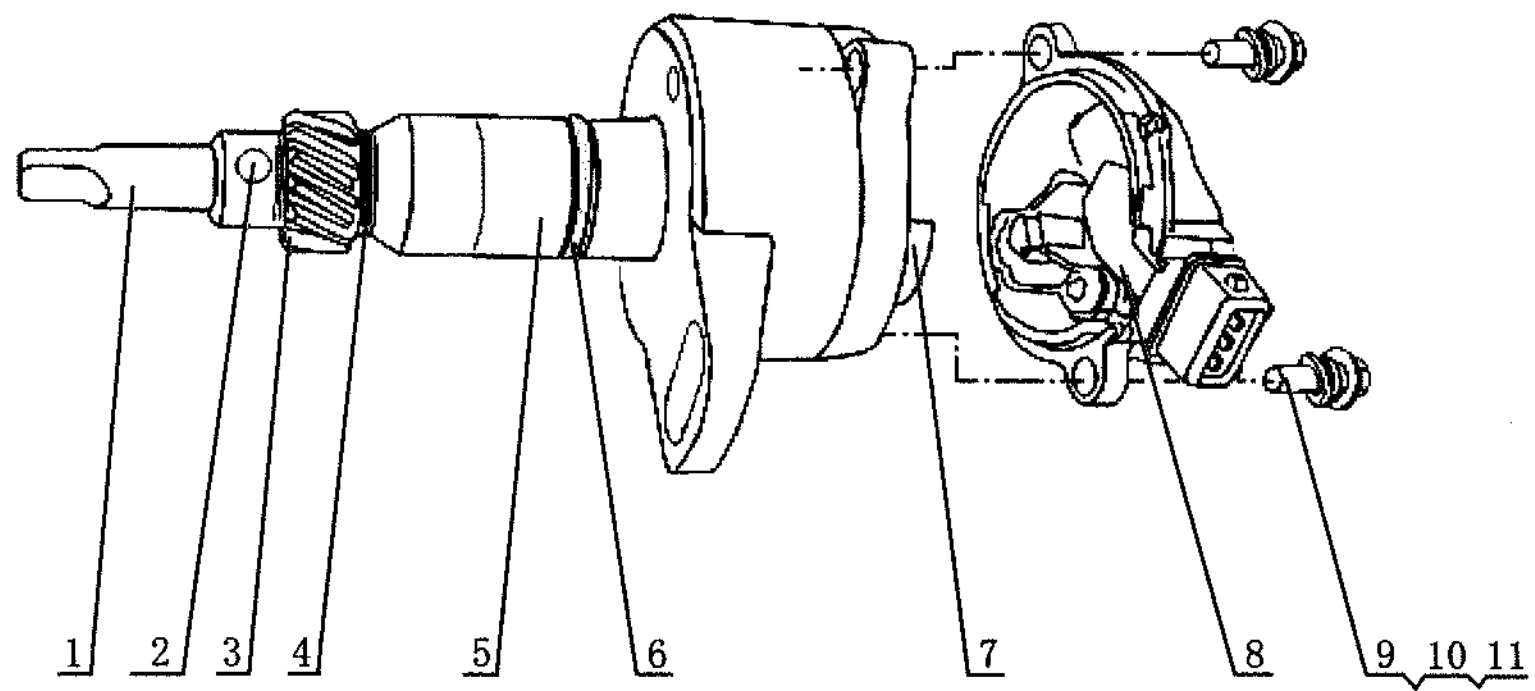
点火线圈及高压阻尼线 -UAES IGNITION COIL & HIGH VOLTAGE DAMPING WIRE



点火线圈及高压阻尼线 -UAES IGNITION COIL & HIGH VOLTAGE DAMPING WIRE

序号 S/N	部件代码 PART CODE	部件名称 DESCRIPTION	部件规格 SPECIFICATION	用量 QTY.	适用车型 VEHICLE MODEL	备注 REMARK
1	11-3707100B	高压阻尼线 HIGH VOLTAGE DAMPING WIRE		1 套		UAES
2	11-1108101	油门拉线支架 II ACCELERATOR CABLE BRACKET II		1		
3	11-3705101B	点火线圈支架 IGNITION COIL BRACKET		1		UAES
4	11-3705100B	点火线圈 IGNITION COIL		1		UAES
5	Q150B0820	螺栓 BOLT	M8×20	1		
6	Q40308	标准弹簧垫圈 SPRING WASHER	8	1		
7	Q340B06	螺母 NUT	M6	4		
8	Q40106	平垫圈 PLAIN WASHER	6	4		
9	Q150B0820	螺栓 BOLT	M8×20	1		
10	Q40108	平垫圈 PLAIN WASHER	8	1		
11	Q40308	标准弹簧垫圈 SPRING WASHER	8	1		
12	Q150B0650	螺栓 BOLT	M6×50	4		
13	Q40406	轻型弹簧垫圈 SPRING WASHER	6	4		
14	Q40106	平垫圈 PLAIN WASHER	6	4		

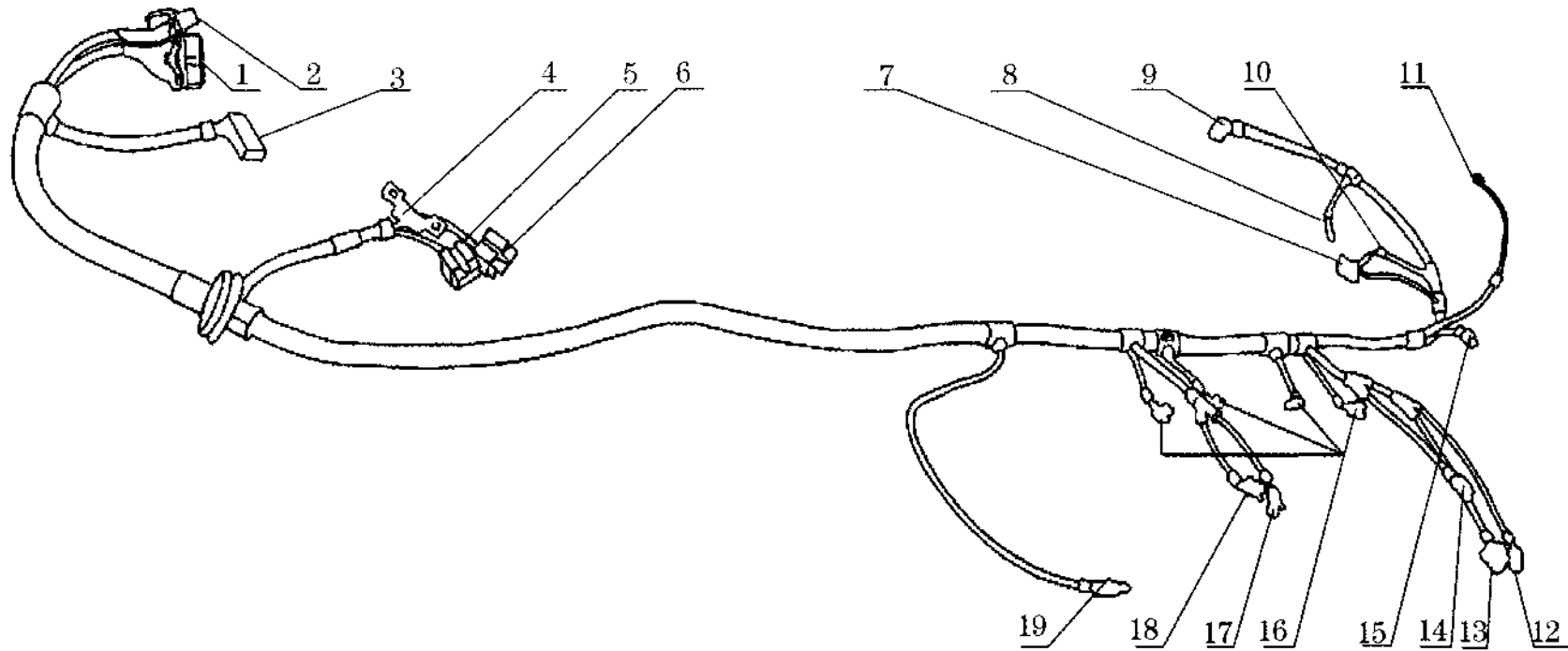
相位传感器 -UAES PHASE SENSOR



相位传感器 -UAES PHASE SENSOR

序号 S/N	部件代码 PART CODE	部件名称 DESCRIPTION	部件规格 SPECIFICATION	用量 QTY.	适用车型 VEHICLE MODEL	备注 REMARK
	11-3609200B	相位传感器及机油泵传动轴组件	PHASE SENSOR & OIL PUMP PROPELLER SHAFT	1		UAES
	11-3600050	相位传感器支架总成	PHASE SENSOR BRACKET ASSY	1		UAES
1	11-3600051	传动轴	PROPELLER SHAFT	1		UAES
2	11-3600052	传动齿轮销	DRIVE GEAR PIN	1		UAES
3	11-3600053	传动齿轮	DRIVE GEAR	1		UAES
4	11-3600054	铜垫圈	BRONZE WASHER	1		UAES
5	11-3600055	传动轴壳体	PROPELLER SHAFT HOUSING	1		UAES
6	11-3600056	密封垫圈	WASHER	1		UAES
7	11-3600057	相位信号轮	PHASE SIGNAL PULLEY	1		UAES
8	11-3609210B	相位传感器	PHASE SENSOR	1		UAES
9	Q1800618	法兰螺栓	FLANGE BOLT	2	M6×18	
10	Q40306	弹簧垫圈	SPRING WASHER	2	6	
11	Q40106	平垫圈	PLAIN WASHER	2	6	

线束组件 -DELPHI WIRING HARNESS SET



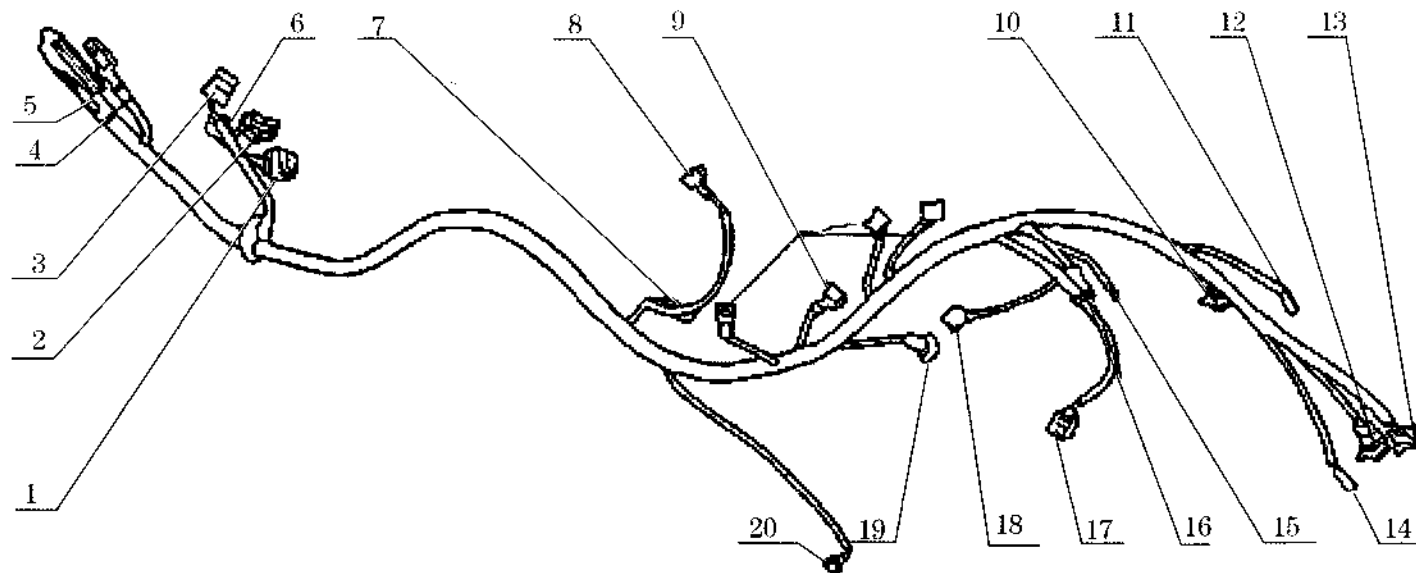
线束组件 -DELPHI WIRING HARNESS SET

序号 S/N	部件代码 PART CODE	部件名称 DESCRIPTION	部件规格 SPECIFICATION	用量 QTY.	适用车型 VEHICLE MODEL	备注 REMARK
	11-3724190	线束组件	WIRE HARNESS SET	1	SER .AR	
	20-3724190	线束组件	WIRE HARNESS SET		CC6450	
	31-3724190	线束组件	WIRE HARNESS SET		CC1025S	
1		ECM 接插头 1	NO.1 ECM TERMINAL	1		
2		ECM 接插头 2	NO.2 ECM TERMINAL	1		
3		各电源插头	POWER PLUG	1		
4		故障诊断插头	TROUBLE SHOOTING PLUG	1		
5		油泵继电器	FUEL PUMP RELAY	1		
6		空调继电器	A/C RELAY	1		
7		曲轴位置传感器插头	CRANKSHAFT POSITION SENSOR PLUG	1		
8		水温表插头	WATER TEMPERATURE GAUGE PLUG	1		
9		点火线圈插头	IGNITION COIL PLUG	1		
10		空调请求插头	A/C PLUG	1		
11		搭铁	GROUND CONNECTION	1		
12		进气温度传感器插头	INTAKE AIR TEMPERATURE SENSOR PLUG	1		
13		绝对压力传感器插头	ABSOLUTE PRESSURE SENSOR PLUG	1		
14		碳罐电磁阀插头	ELECTROMAGNETIC VALVE PLUG	1		
15		冷却液温度传感器插头	COOLANT TEMPERATURE SENSOR PLUG	1		
16		喷油嘴插头	INJECTOR PLUG	1		

线束组件 -DELPHI WIRING HARNESS SET

序号 S/N	部件代码 PART CODE	部件名称 DESCRIPTION	部件规格 SPECIFICATION	用量 QTY.	适用车型 VEHICLE MODEL	备注 REMARK
17		怠速步进电机插头 STEPPER MOTOR FOR IDEL-SPEED CONTROL		1		
18		节气门位置传感器插头 THROTTLE POSITION SENSOR PLUG		1		
19		氧传感器插头 OXYGEN SENSOR PLUG		1		

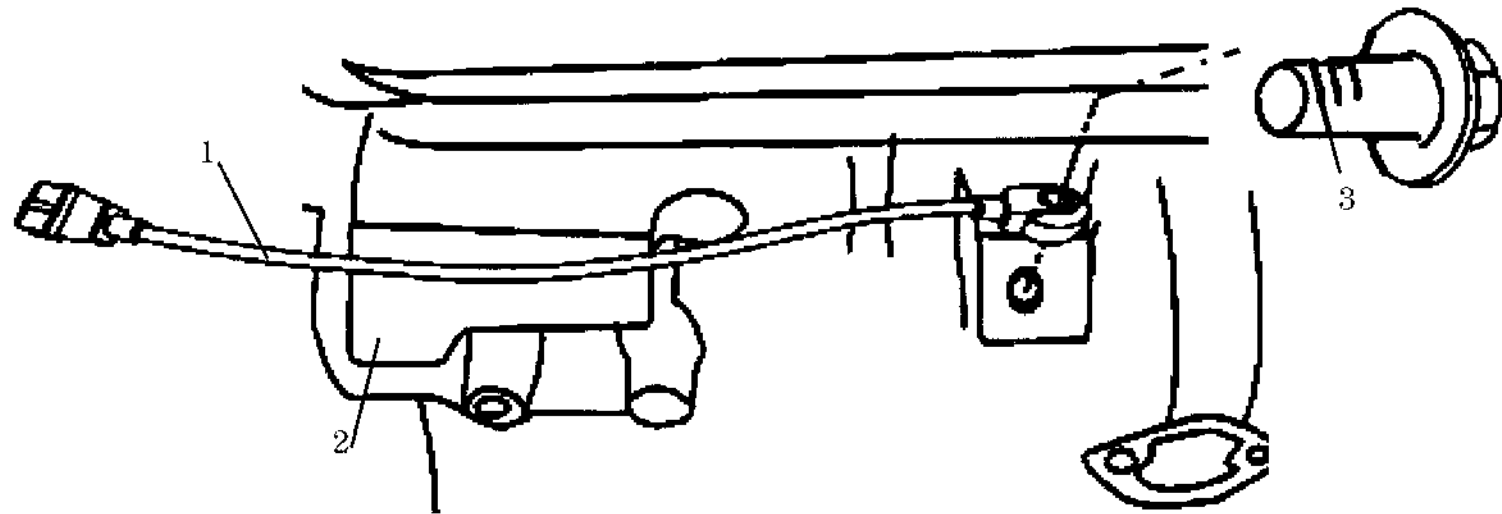
线束组件 -UAES WIRING HARNESS SET



线束组件-UAES WIRING HARNESS SET

序号	部件代码	部件名称	部件规格	用量	适用车型	备注
S/N	PART CODE	DESCRIPTION	SPECIFICATION	QTY.	VEHICLE MODEL	REMARK
	11-3724190B	线束组件	WIRING HARNESS SET	1		UAES
1		ECM继电器	ECM RELAY	1		
2		油泵继电器	OIL PUMP RELAY	1		
3		空调继电器	AIR CONDITIONER RELAY	1		
4		电源插头	POWER PLUG	1		
5		ECM插头	ECM PLUG	1		
6		故障诊断插头	TROUBLE SHOOTING PLUG	1		
7		爆震传感器插头	KNOCK SENSOR PLUG	1		
8		怠速控制阀插头	IDLE AIR CONTROL VALVE PLUG	1		
9		喷油嘴插头	INJECTOR PLUG	1		
10		转速传感器插头	ENGINE SPEED SENSOR PLUG	1		
11		水温表插头	WATER TEMPERATURE GAUGE PLUG	1		
12		相位传感器插头	PHASE SENSOR PLUG	1		
13		点火线圈插头	IGNITION COIL PLUG	1		
14		空调请求插头	A/C PLUG	1		
15		搭铁	GROUND CONNECTION	1		
16		冷却液温度传感器	COOLANT TEMPERATURE SENSOR	1		
17		压力温度传感器插头	PRESSURE & TEMPERATURE SENSOR PLUG	1		
18		碳罐电磁阀插头	CHARCAOL CANISTER ELECTROMA GNETIC VALVE PLUG	1		
19		节气位置传感器插头	THROTTLE POSITION SENSOR PLUG	1		
20		氧传感器插头	OXYGEN SENSOR PLUG	1		

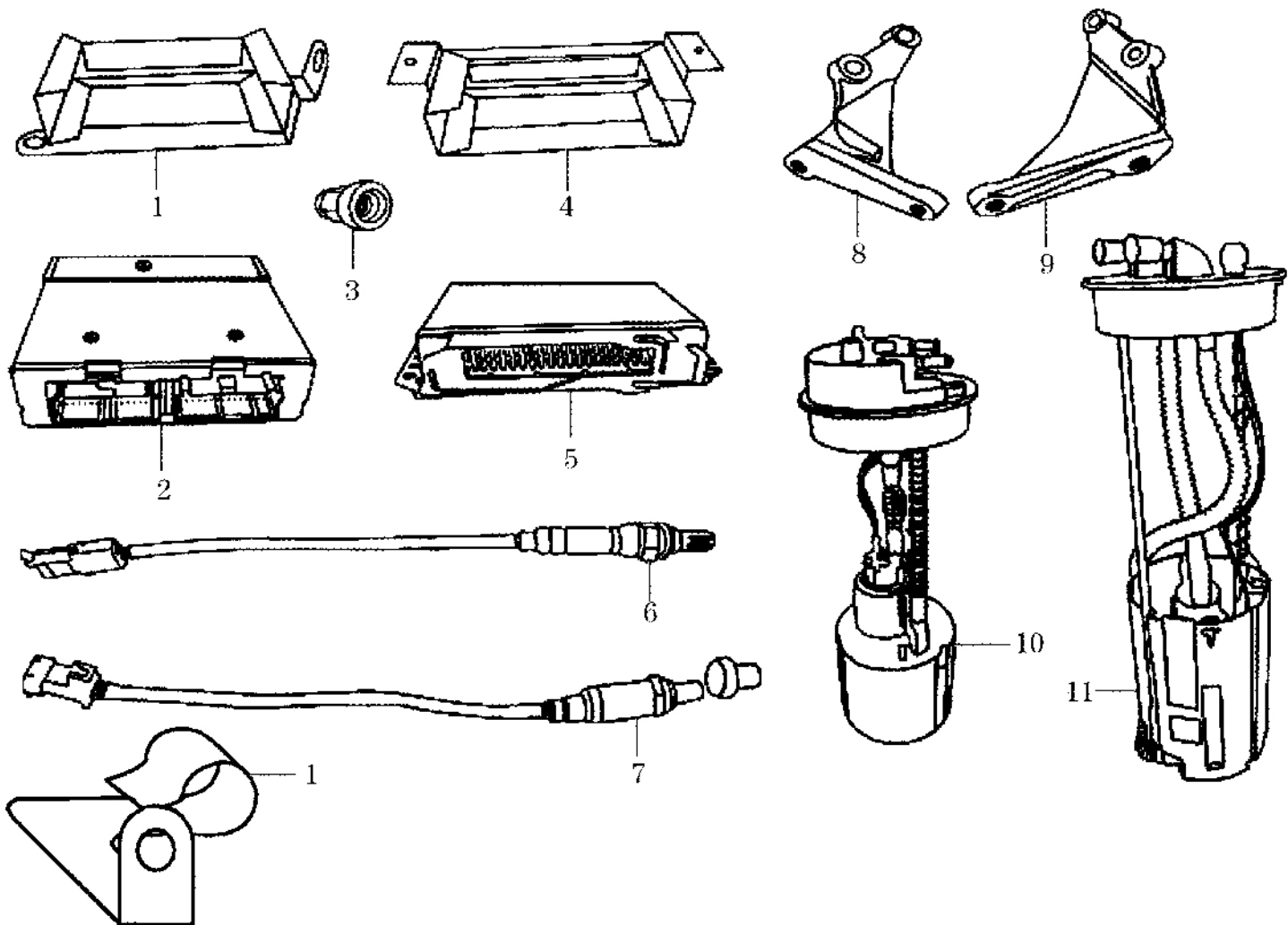
爆震传感器 -UAES KNOCK SENSOR



爆震传感器 -UAES KNOCK SENSOR

序号 S/N	部件代码 PART CODE	部件名称 DESCRIPTION	部件规格 SPECIFICATION	用量 QTY.	适用车型 VEHICLE MODEL	备注 REMARK
1	11-3705101B	爆震传感器 KNOCK SENSOR		1		UAES
2	11-1002031B	缸体 CYLINDER BLOCK		1		UAES
3	Q18006	法兰螺栓 FLANGE BOLT		1		

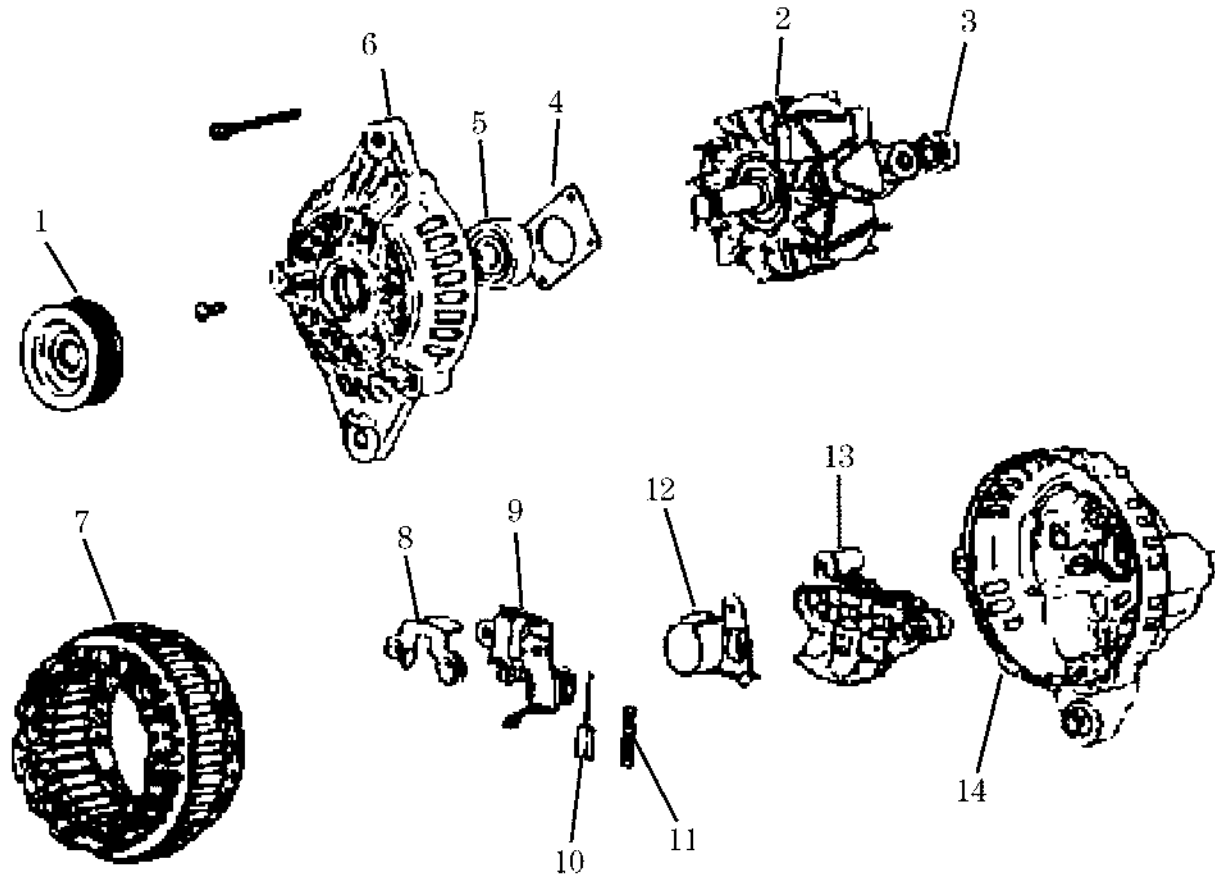
随机附件 ACCESSORIES



随机附件 ACCESSORIES

序号 S/N	部件代码 PART CODE	部件名称 DESCRIPTION	部件规格 SPECIFICATION	用量 QTY.	适用车型 VEHICLE MODEL	备注 REMARK
1	11-3600011	ECU 支架总成	ECU BRACKET ASSY	1		
2	11-3600010	ECU	ECU	1		
3	11-1008015	排气管出口螺母	EXHAUST PIPE OUTLET NUT	3	AM10	
4	11-3600011B	ECU 支架总成	ECU BRACKET ASSY	1		UAES
5	11-3600010B	ECU	ECU	1		UAES
6	11-1205020	氧传感器	OXYGEN SENSOR	1		
7	11-1205020B	氧传感器	OXYGEN SENSOR	1		UAES
8	11-1002023	离合器壳体右支架	CLUTCH HOUSING BRACKET,RH	1		
9	11-1002024	离合器壳体左支架	CLUTCH HOUSING BRACKET,LH	1		
10	11-1106100	汽油泵及支架组件	GASOLINE PUMP & BRACKET	1		
11	11-1106100B	汽油泵及支架组件	GASOLINE PUMP & BRACKET	1		
12	11-1205021	氧传感器支架	OXYGEN SENSOR BRACKET	1		
	11-1205021B	氧传感器支架	OXYGEN SENSOR BRACKET	1		UAES

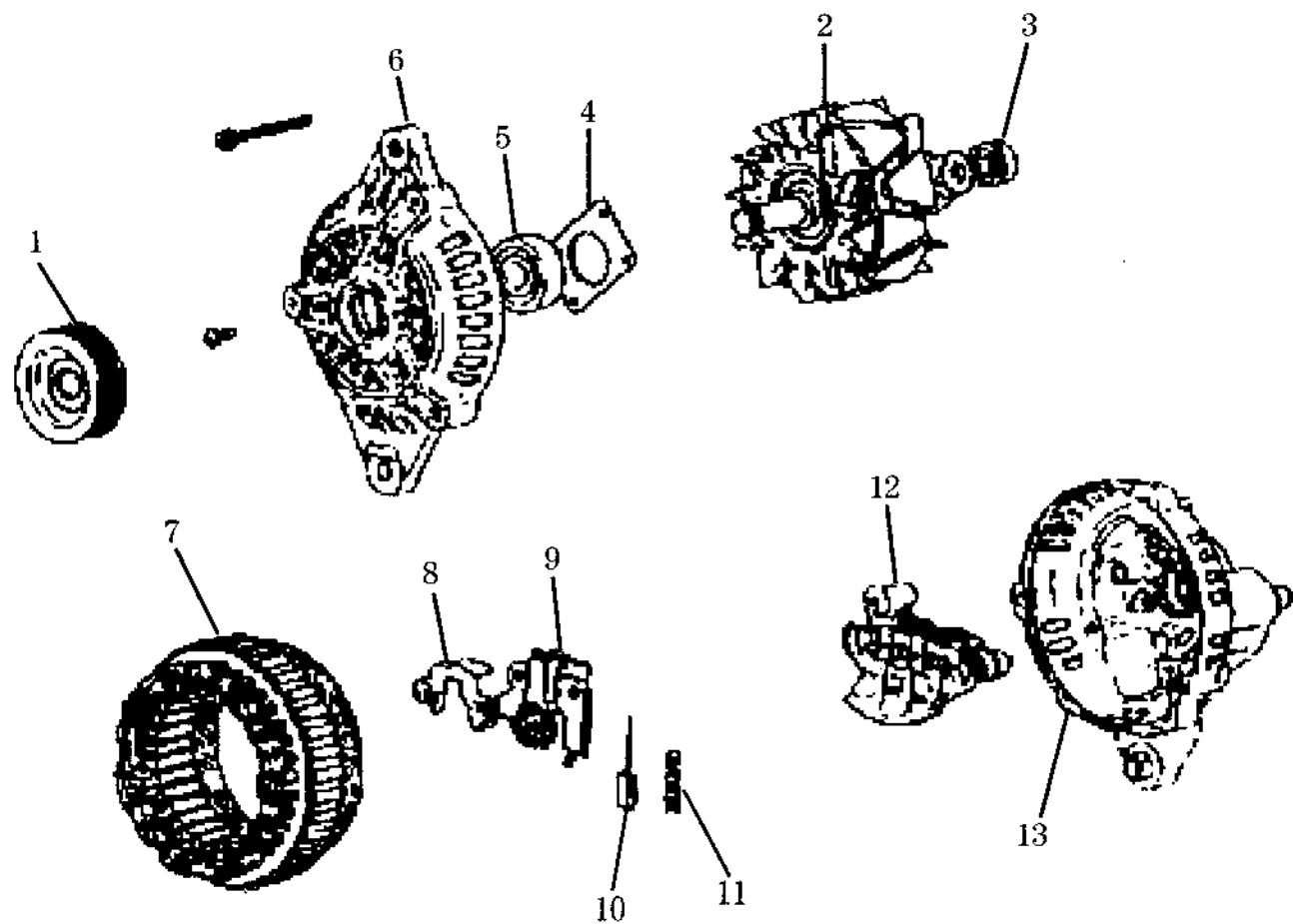
65A 外调发电机 OUTSIDE ADJUSTING ALTERNATOR (65A)



65A 外调发电机 OUTSIDE ADJUSTING ALTERNATOR (65A)

序号 S/N	部件代码 PART CODE	部件名称 DESCRIPTION	部件规格 SPECIFICATION	用量 QTY.	适用车型 VEHICLE MODEL	备注 REMARK
1	11-3701011	交流发电机皮带轮 ALTERNATOR BELT PULLEY	65A 外调	1		
2	11-3701012	转子总成 ROTOR ASSY	65A 外调	1		
3	11-3701013	后轴承 REAR BEARING	65A 外调	1		
4	11-3701014	轴承盖板 RETAINER PLATE	65A 外调	1		
5	11-3701015	前轴承 FRONT BEARING	65A 外调	1		
6	11-3701016	前端盖 FRONT END COVER	65A 外调	1		
7	11-3701017	定子总成 STATOR ASSY	65A 外调	1		
8	11-3701018	定位板 RESTRICT PLATE	65A 外调	1		
9	11-3701019	碳刷支架 ALTERNATOR BRUSH HOLDER	65A 外调	1		
10	11-3701020	碳刷 ALTERNATOR BRUSH	65A 外调	1		
11	11-3701021	碳刷弹簧 ALTERNATOR BRUSH SPRING	65A 外调	1		
12	11-3701022	卡环 CLIP RING	65A 外调	1		
13	11-3701023	整流桥 RECTIFIER	65A 外调	1		
14	11-3701024	后端盖 REAR END COVER	65A 外调	1		
15	11-3701010	交流发电机总成 ALTERNATOR ASSY	65A 外调	1		

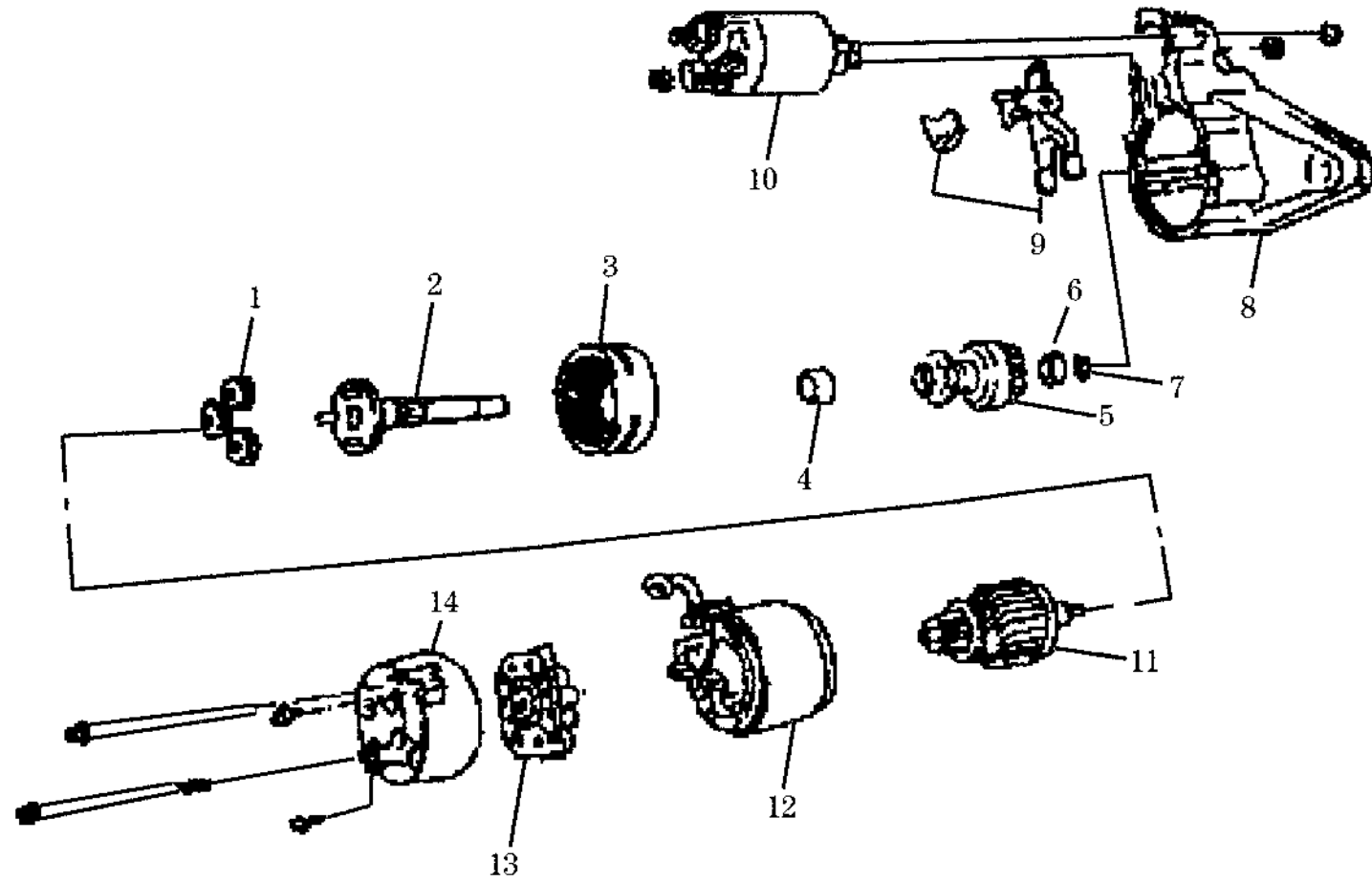
90A 内调交流发电机 INTERIOR ADJUSTING ALTERNATOR(90A)



90A 内调交流发电机 INTERIOR ADJUSTING ALTERNATOR(90A)

序号 S/N	部件代码 PART CODE	部件名称 DESCRIPTION	部件规格 SPECIFICATION	用量 QTY.	适用车型 VEHICLE MODEL	备注 REMARK
1	11-3701011B	交流发电机皮带轮 ALTERNATOR BELT PULLEY	90A 内调	1		
2	11-3701012B	转子总成 ROTOR ASSY	90A 内调	1		
3	11-3701013B	后轴承 REAR BEARING	90A 内调	1		
4	11-3701014B	轴承盖板 RETAINER PLATE	90A 内调	1		
5	11-3701015B	前轴承 FRONT BEARING	90A 内调	1		
6	11-3701016B	前端盖 FRONT END COVER	90A 内调	1		
7	11-3701017B	定子总成 STATOR ASSY	90A 内调	1		
8	11-3701018B	定位板 RESTRICT PLATE	90A 内调	1		
9	11-3701019B	调节器和碳刷支架 REGULATOR & BRUSH HOLDER	90A 内调	1		
10	11-3701020B	碳刷 ALTERNATRUSH	90A 内调	1		
11	11-3701021B	碳刷弹簧 ALTERNATOR BRUSH SPRING	90A 内调	1		
12	11-3701022B	整流桥 RECTIFIER	90A 内调	1		
13	11-3701023B	后端盖 REAR END COVER	90A 内调	1		
14	11-3701010B	交流发电机总成 ALTERNATOR ASSY	90A 内调	1		

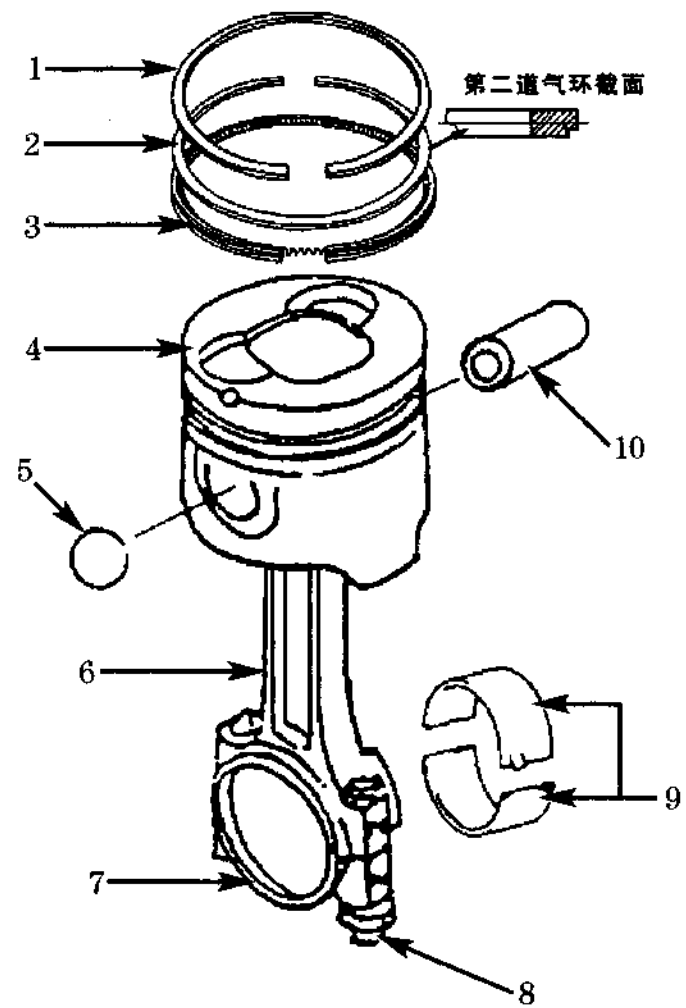
起动机 STARTER



起动机 STARTER

序号	部件代码	部件名称	部件规格	用量	适用车型	备注
S/N	PART CODE	DESCRIPTION	SPECIFICATION	QTY.	VEHICLE MODEL	REMARK
1	11-3708011	行星齿轮	PLANETARY GEAR	1组		
2	11-3708012	行星齿轮轴	PLANETARY GEAR SHAFT	1		
3	11-3708013	定轮	RESTRICT WHEEL	1		
4	11-3708014	中心轴承	CENTRE BEARING	1		
5	11-3708015	起动机离合器	STARTER CLUTCH	1		
6	11-3708016	挡套	SNAP SLEEVE	1		
7	11-3708017	挡圈	SNAP RING	1		
8	11-3708018	驱动端盖	DRIVE END HOUSING	1		
9	11-3708019	拨叉	FORK	1		
10	11-3708020	碳刷电磁开关	ALTERNATOR BRUSH SOLENOID SWITCH	1		
11	11-3708021	电枢	ARMATURE	1		
12	11-3708022	外壳	HOUSING	1		
13	11-3708023	电刷架	ALTERNATOR BRUSH BRACKET	1		
14	11-3708024	后端盖	REAR END COVER	1		

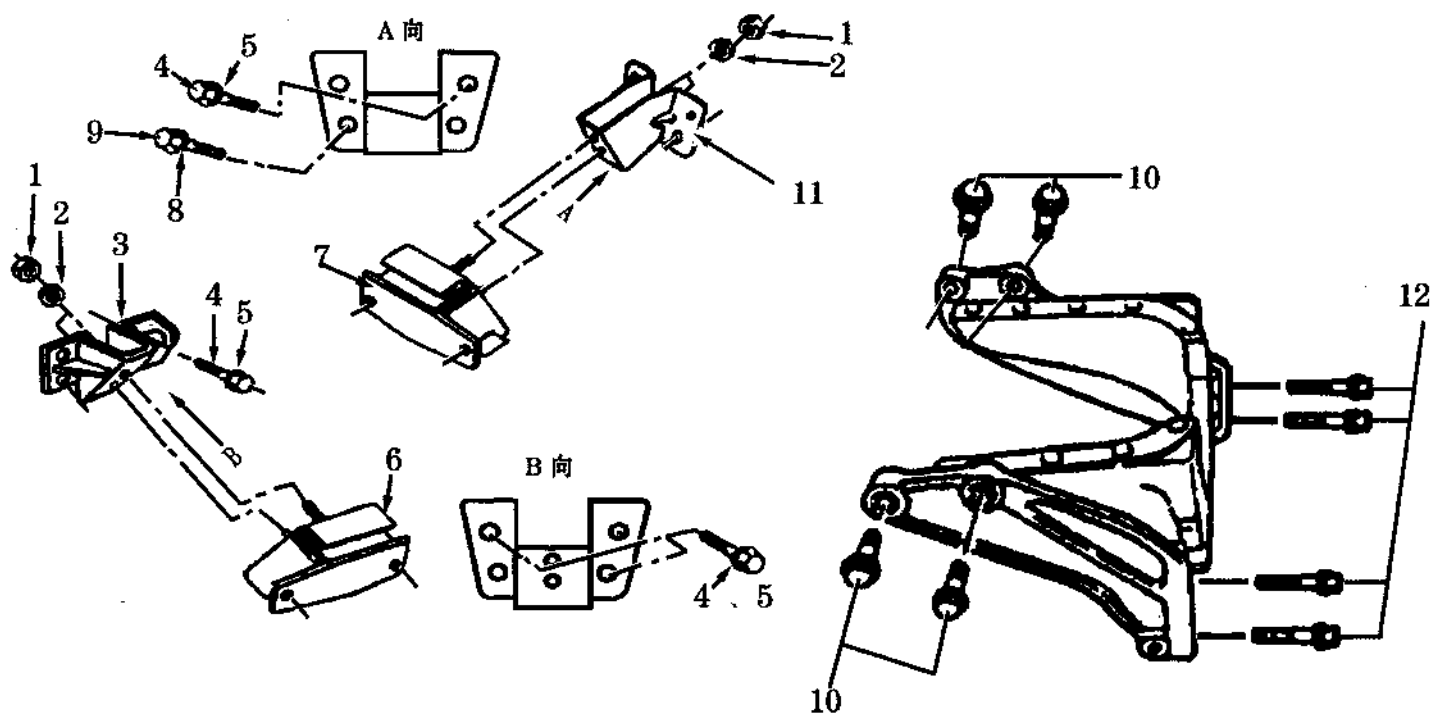
活塞连杆组件 PISTON CONNECTING ROD



活塞连杆组件 PISTON CONNECTING ROD

序号 S/N	部件代码 PART CODE	部件名称 DESCRIPTION	部件规格 SPECIFICATION	用量 QTY.	适用车型 VEHICLE MODEL	备注 REMARK
1	11C-1004011	第一道气环 TOP COMPRESSION RING		4		
2	11C-1004012	第二道气环 2 ND COMPRESSION RING		4		
3	11C-1004030	螺旋撑簧油环 OIL RING		4		
4	11C-1004015	活塞 PISTON		4		
5	11C-1004015	活塞销卡环 PISTON PIN SNAP RING		8		
6	11C-1004024	连杆体 CONNECTING ROD		4		
7	11C-1004021	连杆盖 CONNECTING ROD CAP		4		
8	11C-1004025	连杆螺栓 CONNECTING ROD BOLT		8		
9	11C-1004023	连杆轴瓦 CONNECTING ROD BEARING		8		
10	11C-1004016	活塞销 PISTON PIN		4		

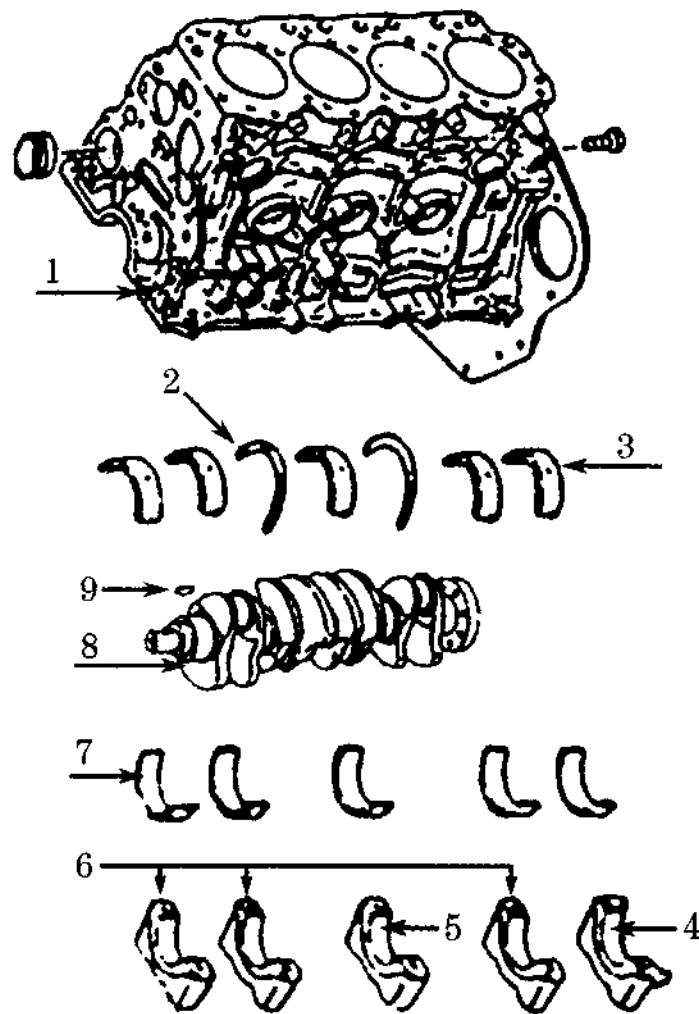
左右支架及左右加强板 LEFT/RIGHT BRACKET & REINFORCEMENT



左右支架及左右加强板 LEFT/RIGHT BRACKET & REINFORCEMENT

序号	部件代码	部件名称	部件规格	用量	适用车型	备注
S/N	PART CODE	DESCRIPTION	SPECIFICATION	QTY.	VEHICLE MODEL	REMARK
1	Q340B10	螺母	HEX NUT	4		
2	Q40310	弹簧垫圈	SPRING WASHER	4		
3	11C-1001022	右支架	BRACKET, RH	1		
4	Q40310	弹簧垫圈	SPRING WASHER	5		
5	Q151C1022	螺栓	BOLT	5		
6	11C-1001011	右支架缓冲块	BRACKET CUSHION BLOCK, RH	1		左右相同
7	11C-1001011	左支架缓冲块	BRACKET CUSHION BLOCK, LH	1		
8	Q40314	弹簧垫圈	SPRING WASHER	1		
9	Q151B1425	螺栓	BOLT	1		
10	Q151C1040	螺栓	BOLT	4		
11	11C-1001021	左支架焊合件	BRACKET WELDMENT, LH	1		
12	Q151C1225	螺栓	BOLT	4		

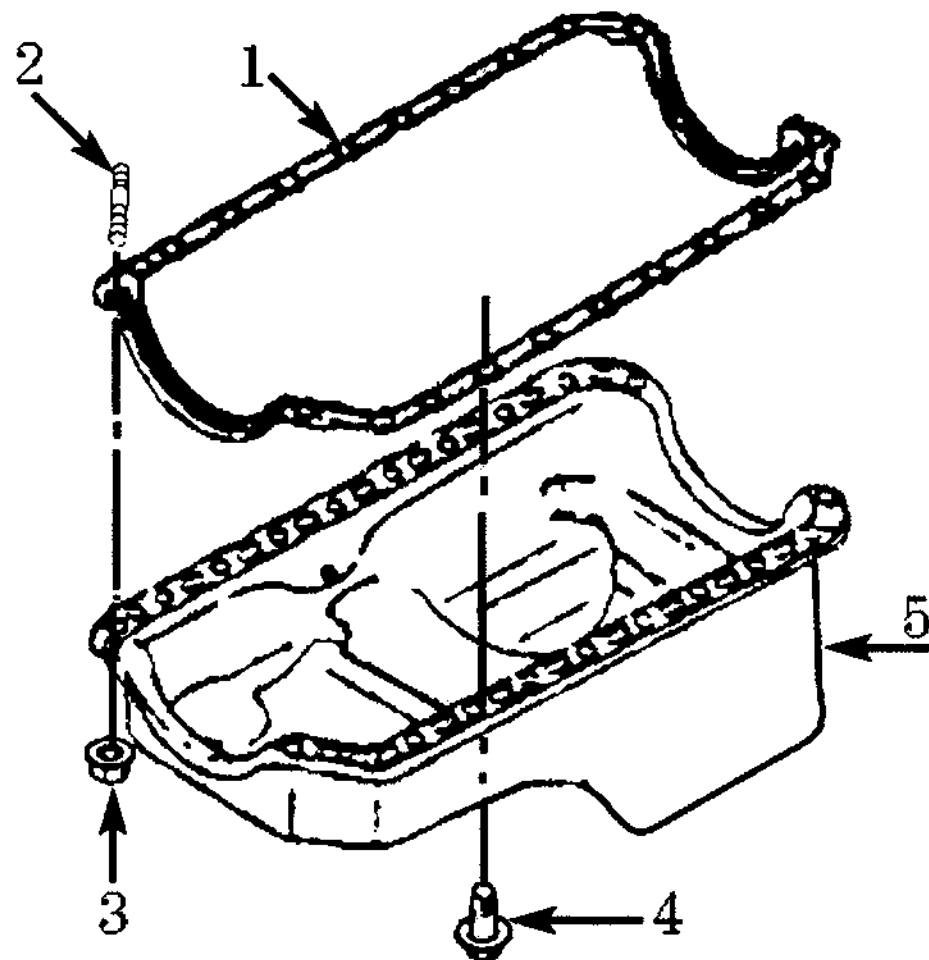
主轴承与曲轴的安装 MAIN BEARING & CRANKSHAFT



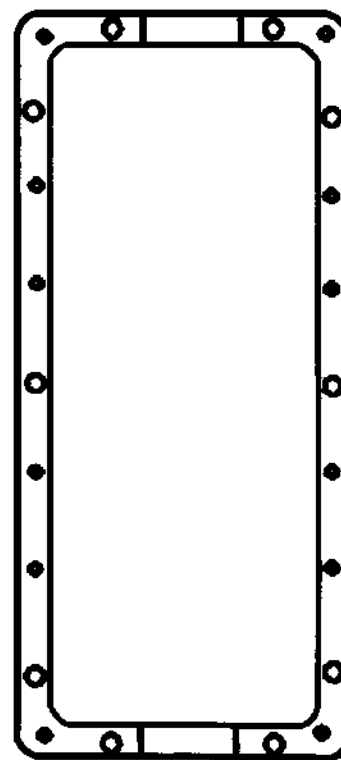
主轴承与曲轴的安装 MAIN BEARING & CRANKSHAFT

序号	部件代码	部件名称	部件规格	用量	适用车型	备注
S/N	PART CODE	DESCRIPTION	SPECIFICATION	QTY.	VEHICLE MODEL	REMARK
1	HC-1002031	汽缸体机械合件 CYLINDER BLOCK		1		
2	HC-1002019	止推片 THRUST PLATE		2		
3	HC-1002018	主轴承上瓦片 MAIN BEARING UPPER SHELL		5		
4	HC-1002035	第五主轴承盖 5TH MAIN BEARING CAP		1		
5	HC-1002036	第三主轴承盖 3RD MAIN BEARING CAP		1		
6	HC-1002034	第一、二、四主轴承盖 1ST, 2ND, 4TH MAIN BEARING CAP		3		
7	HC-1002017	主轴承下瓦片 MAIN BEARING LOWER SHELL		5		
8	HC-1005015	曲轴 CRANK SHAFT		1		
9	HC-1005017	曲轴平键 CRANKSHAFT KEY		1		

机油盘的装配 OIL PAN



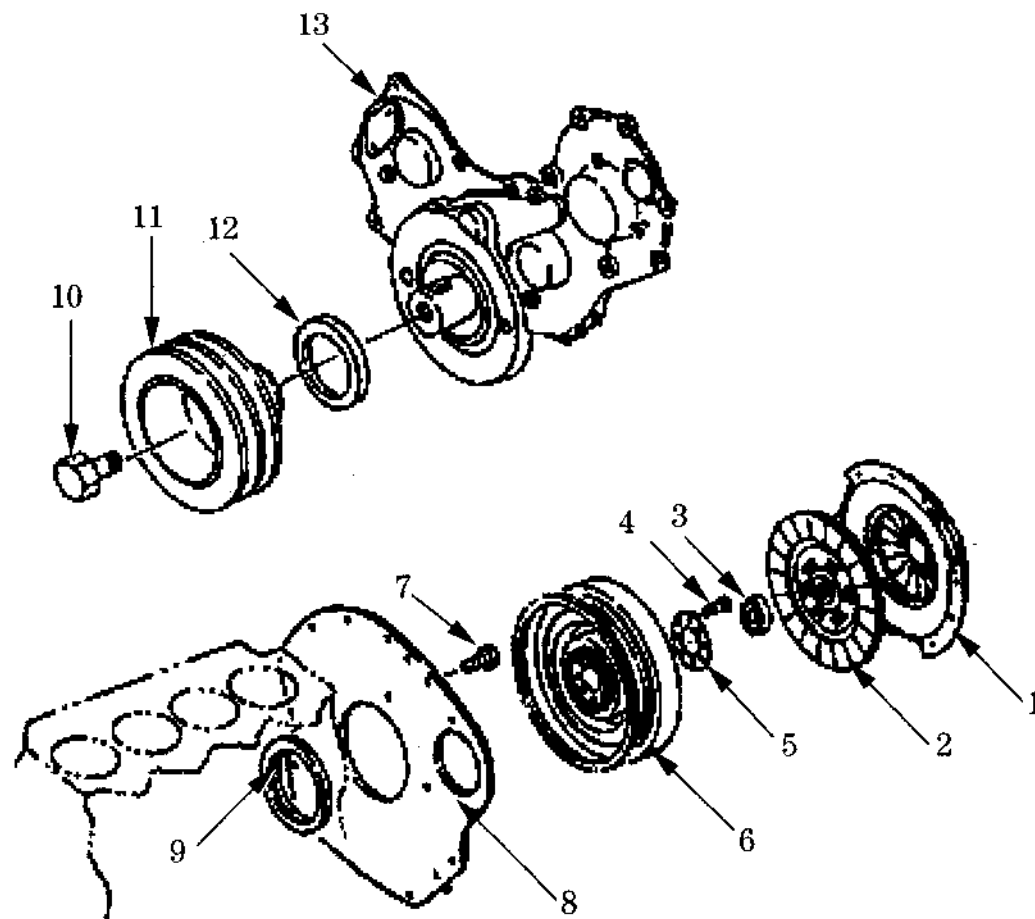
- 双头螺柱孔
- 螺栓孔



机油盘的装配 OIL PAN

序号 S/N	部件代码 PART CODE	部件名称 DESCRIPTION	部件规格 SPECIFICATION	用量 QTY.	适用车型 VEHICLE MODEL	备注 REMARK
1	IIC-1009011	油底壳垫 OIL PAN GASKET		1		
2	IIC-1009014	双头螺柱 STUD BOLT		10		
3	IIC-1008015	六角法兰面螺母 HEX FLANGED NUT		10		
4	IIC-1009016	紧固定位螺栓 TIGHTENING STOP BOLT		10		
5	IIC-1009020	油底壳组件 OIL PAN KIT		1		

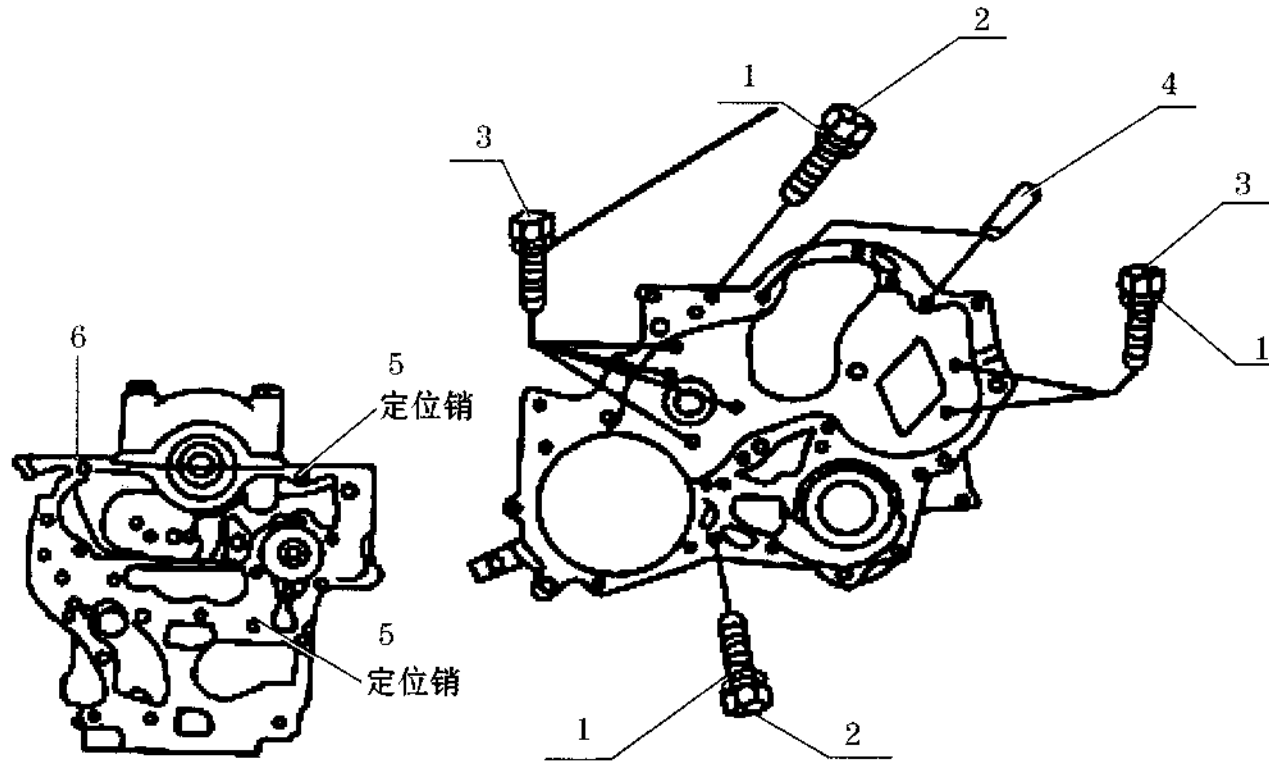
飞轮、离合器、前后油封及减震皮带轮
FLYWHEEL, CLUTCH, FRONT/REAR OIL SEAL & DAMPING PULLEY



飞轮、离合器、前后油封及减震皮带轮
FLYWHEEL, CLUTCH, FRONT/REAR OIL SEAL & DAMPING PULLEY

序号 S/N	部件代码 PART CODE	部件名称 DESCRIPTION	部件规格 SPECIFICATION	用量 QTY.	适用车型 VEHICLE MODEL	备注 REMARK
1	11-1601050	离合器压盘 CLUTCH COVER ASSY		1		
2	11-1601030	摩擦片总成 CLUTCH DISC ASSY		1		
3	80203	曲轴轴承 CRANKSHAFT BEARING		1		
4	11C-1005016	飞轮螺栓 FLYWHEEL BOLT		8		
5	11C-1005031	飞轮螺栓垫板 FLYWHEEL BOLT GASKET		1		
6	11C-1005030	飞轮合件 FLYWHEEL		1		
7	11C-1002022	后连接板螺栓 REAR CONNECTING PLATE BOLT		3		
8	11C-1002023	后连接板 REAR CONNECTING PLATE		1		
9	11C-1002020	后油封 REAR OIL SEAL		1		
10	11C-1005032	曲轴皮带轮螺栓 CRANKSHAFT PULLEY BOLT		1		
11	11C-1005033	减震皮带轮 DAMPING PULLEY		1		
12	11C-1002140	曲轴前油封 CRANKSHAFT FRONT OIL SEAL		1		
13	11C-1002051	齿轮室盖总成 GEAR CHAMBER COVER ASSY		1		

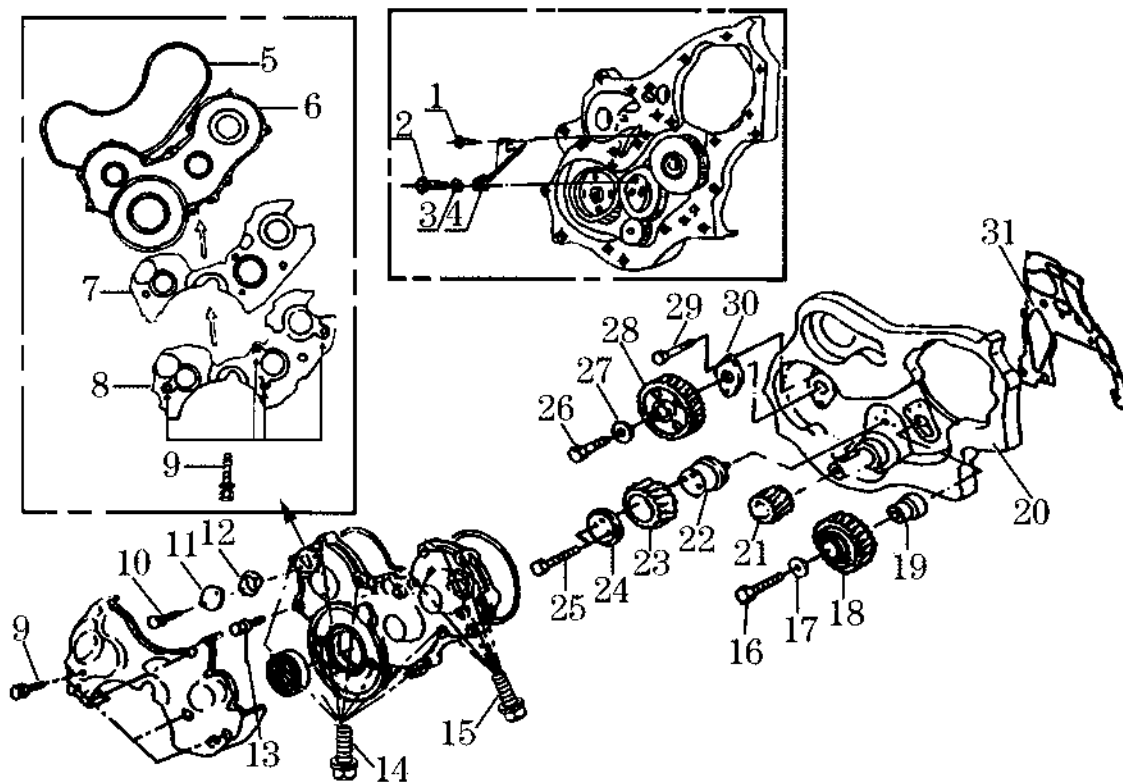
齿轮室体的安装 GEAR CHAMBER BODY



齿轮室体的安装 GEAR CHAMBER BODY

序号	部件代码	部件名称	部件规格	用量	适用车型	备注
S/N	PART CODE	DESCRIPTION	SPECIFICATION	QTY.	VEHICLE MODEL	REMARK
1	Q40108	平垫 PLAIN WASHER	10	8		
2	Q1420845	螺栓组合件 BOLT SET	8×45	2		
3	Q1420820	螺栓组合件 BOLT SET	8×20	6		
4	Q5221020	定位销 DOWEL PIN	10×20	2		
5	Q5221020	定位销 DOWEL PIN	10×20	2		
6	11C-1002012	齿轮室垫 GEAR CHAMBER GASKET		1		

齿轮、齿轮室盖、齿轮室体的安装
 GEAR, GEAR CHAMBER COVER, GEAR CHAMBER BODY



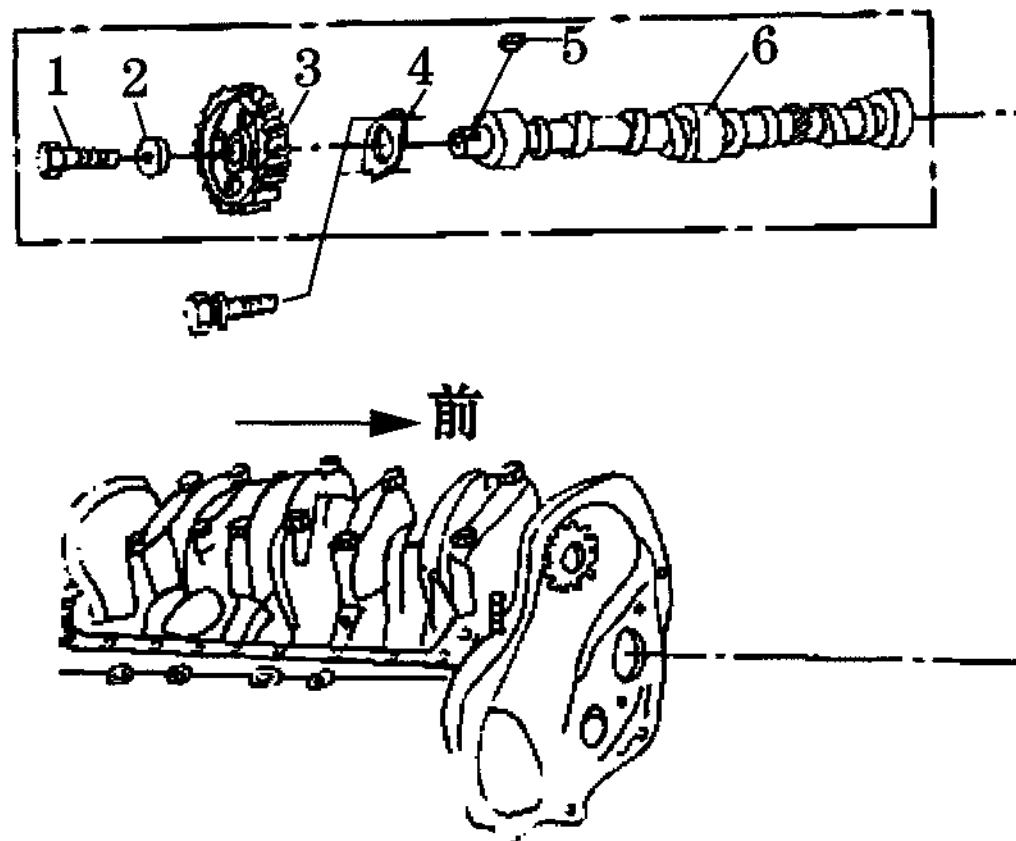
齿轮、齿轮室盖、齿轮室体的安装
GEAR、 GEAR CHAMBER COVER、 GEAR CHAMBER BODY

序号 S/N	部件代码 PART CODE	部件名称 DESCRIPTION	部件规格 SPECIFICATION	用量 QTY.	适用车型 VEHICLE MODEL	备注 REMARK
1	Q1420820	螺栓组合件 BOLT SET	8×20	1		
2	11C-1002801	管接头螺栓 UNION JOINT BOLT		1		
3	11C-1002802	铜垫圈 BRONZE WASHER		2		
4	11C-1002850	润滑喷油管合件 LUBRICANT INJECTION PIPE SET		1		
5	11C-1002405	密封垫圈 GASKET		1		
6	11C-1002051	齿轮室盖 GEAR CHAMBER COVER		1		
7	11C-1002033	隔音发泡橡胶 SILENCING FOAM RUBBER		1		
8	11C-1002500	隔音盖板合件 SILENCING COVER PLATE		1		
9	Q1460618	螺栓组合件 BOLT SET	6×18	4		
10	Q1420612	螺栓组合件 BOLT SET	6×12	4		
11	11C-1002403	检视孔盖板 SIGHT HOLE COVER		2		
12	11C-1002404	盖板垫 COVER PLATE GASKET		2		
13	11C-1002406	内六角螺栓 ALLEN BOLT		1		
14	Q1420835	螺栓组合件 BOLT SET	8×35	8		
15	Q1420865	螺栓组合件 BOLT SET	8×65	6		
16	11C-1002305	螺栓 BOLT		1		
17	11C-1006014	惰齿轮 B 压板 IDLE GEAR-B PRESSURE PLATE		1		
18	11C-1002300	惰齿轮 B 合件 IDLE GEAR-B		1		
19	11C-1002302	惰齿轮 B 轴 IDLE GEAR-B SHAFT				

齿轮、齿轮室盖、齿轮室体的安装
GEAR, GEAR CHAMBER COVER, GEAR CHAMBER BODY

序号 S/N	部件代码 PART CODE	部件名称 DESCRIPTION	部件规格 SPECIFICATION	用量 QTY.	适用车型 VEHICLE MODEL	备注 REMARK
20	11C-1002011	齿轮室 GEAR CHAMBER				
21	11C-1005012	曲轴齿轮 CRANKSHAFT GEAR				
22	11C-1002201	惰齿轮 A 轴 IDLE GEAR-A SHAFT				
23	11C-1002250	惰齿轮 A 合件 IDEL GEAR-A				
24	11C-1002202	惰齿轮 A 压板 IDLE GEAR-A PRESSURE PLATE				
25	Q1420855	螺栓 BOLT				
26	11C-1006014	凸轮轴齿轮螺栓 CAMSHAFT GEAR BOLT				
27	11C-1006016	压板 PRESSURE PLATE				
28	11C-1006012	凸轮轴齿轮 CAMSHAFT GEAR				
29	Q1420816	螺栓组合件 BOLT SET				
30	11C-1006013	凸轮轴止推板 CAMSHAFT THRUST PLATE				
31	11C-1002012	齿轮室垫 GEAR CHAMBER GASKET				

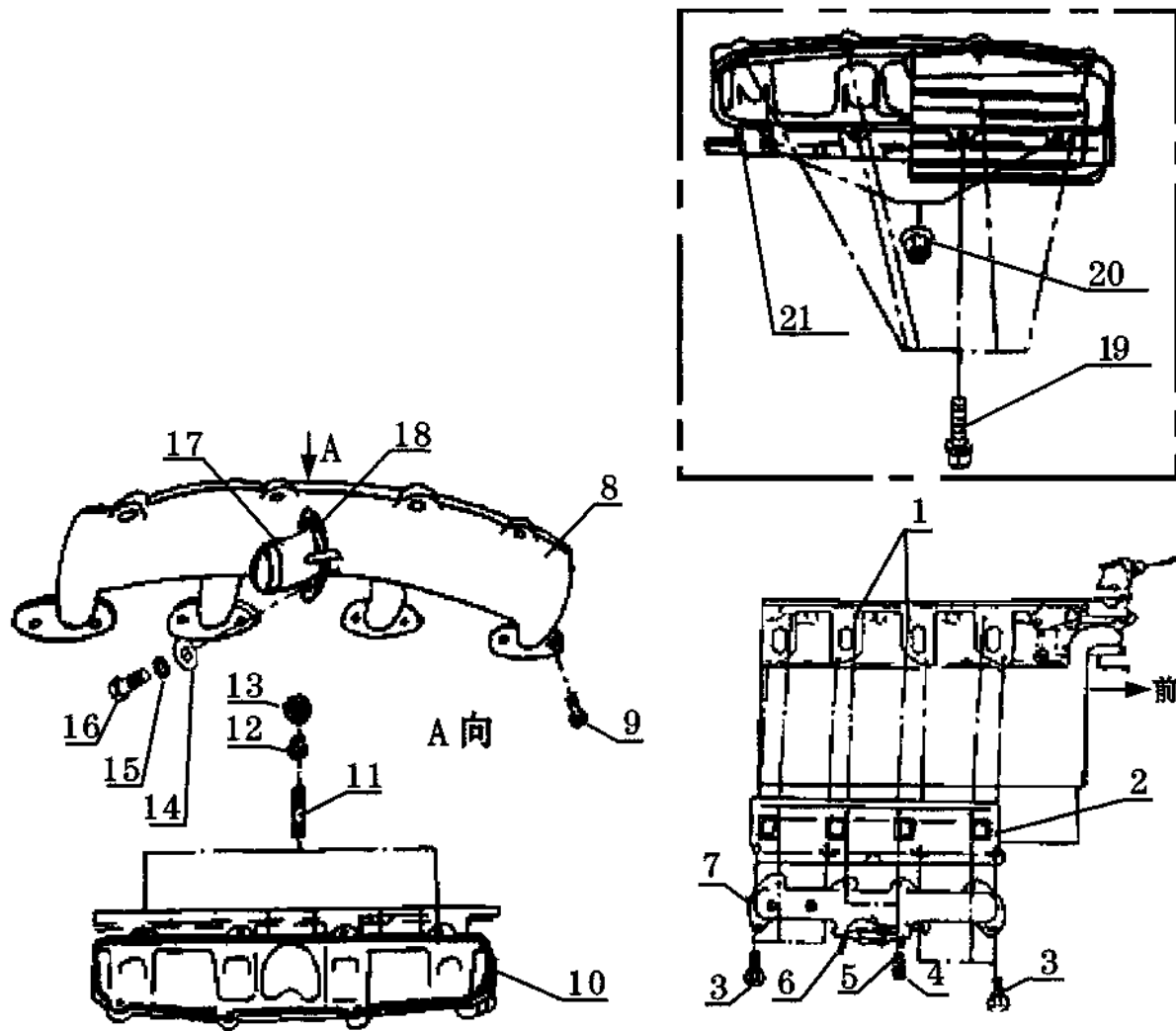
凸轮轴的安装 CAMSHAFT



凸轮轴的安装 CAMSHAFT

序号 S/N	部件代码 PART CODE	部件名称 DESCRIPTION	部件规格 SPECIFICATION	用量 QTY.	适用车型 VEHICLE MODEL	备注 REMARK
1	11C-1006014	凸轮轴齿轮螺栓 CAMSHAFT GEAR BOLT		1		
2	11C-1006013	压板 PLATE WASHER		1		
3	11C-1006012	凸轮轴齿轮 CAMSHAFT GEAR		1		
4	11C-1006011	凸轮轴止推板 CAMSHAFT THRUST PLATE		1		
5	11C-1006016	凸轮轴平键 CAMSHAFT KEY		1		
6	11C-1006015	凸轮轴 CAMSHAFT		1		

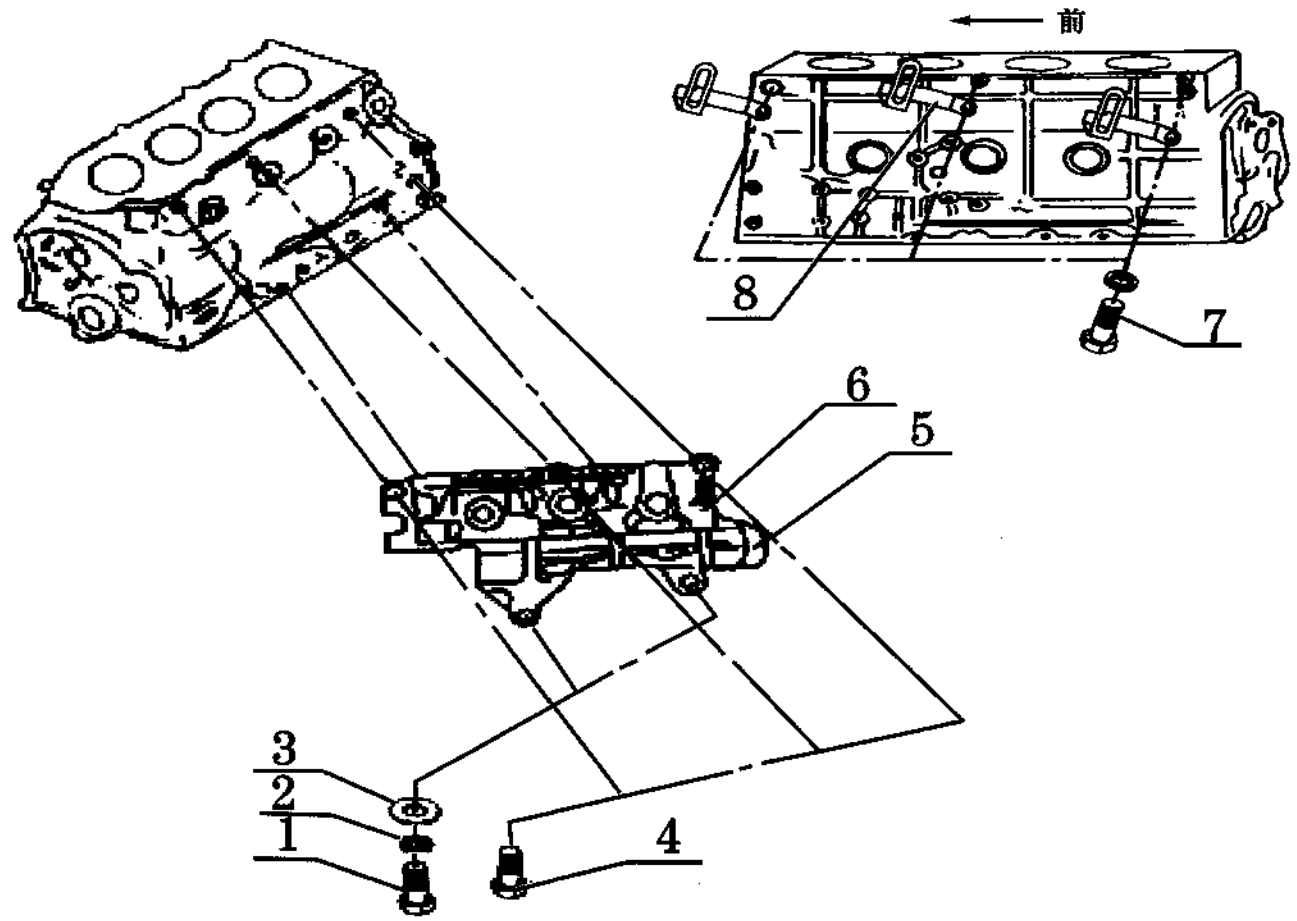
进气歧管和排气歧管的安装 INTAKE & EXHAUST MANIFOLD



进气歧管和排气歧管的安装 INTAKE&EXHAUST MANIFOLD

序号 S/N	部件代码 PART CODE	部件名称 DESCRIPTION	部件规格 SPECIFICATION	用量 QTY.	适用车型 VEHICLE MODEL	备注 REMARK
1	Q1200835	双头螺柱 STUD BOLT	8×35	2		
2	11C-1008020	排气歧管垫板 EXHAUST MANIFOLD GASKET		1		
3	Q1420835	螺栓组合件 BOLT SET	8×35	6		
4	Q340B08	六角螺母 HEX NUT	M8	2		
5	Q40308	弹垫 SPRING WASHER	8	2		
6	11C-1203033	双头螺柱 STUD BOLT		4		
7	11C-1008051	排气歧管 EXHAUST MANIFOLD		1		
8	11C-1008042	进气歧管 INTAKE MANIFOLD		1		
9	Q1420825	螺栓组合件 BOLT SET	8×25	6		
10	11C-1008046	进气歧管垫片 INTAKE MANIFOLD GASKET		1		
11	Q1200825	双头螺柱 STUD BOLT	8×25	2		
12	Q40308	弹垫 SPRING WASHER	8	2		
13	Q1008013	螺母 NUT	M8	2		
14	Q40110	平垫 PLAIN WASHER	10	2		
15	Q40310	弹垫 SPRING WASHER	10	2		
16	Q151C1028	螺栓 BOLT	10×28	2		
17	11C-1008050	弯管合件 BEND SET		1		
18	11C-1008052	进气弯管垫片 INTAKE BEND PIPE GASKET		1		
19	Q1460625	螺栓组合件 BOLT SET	6×25	6		
20	Q32006	螺母 NUT	6	2		
21	11C-1008060	进气管盖合件 INTAKE PIPE COVER SET		1		

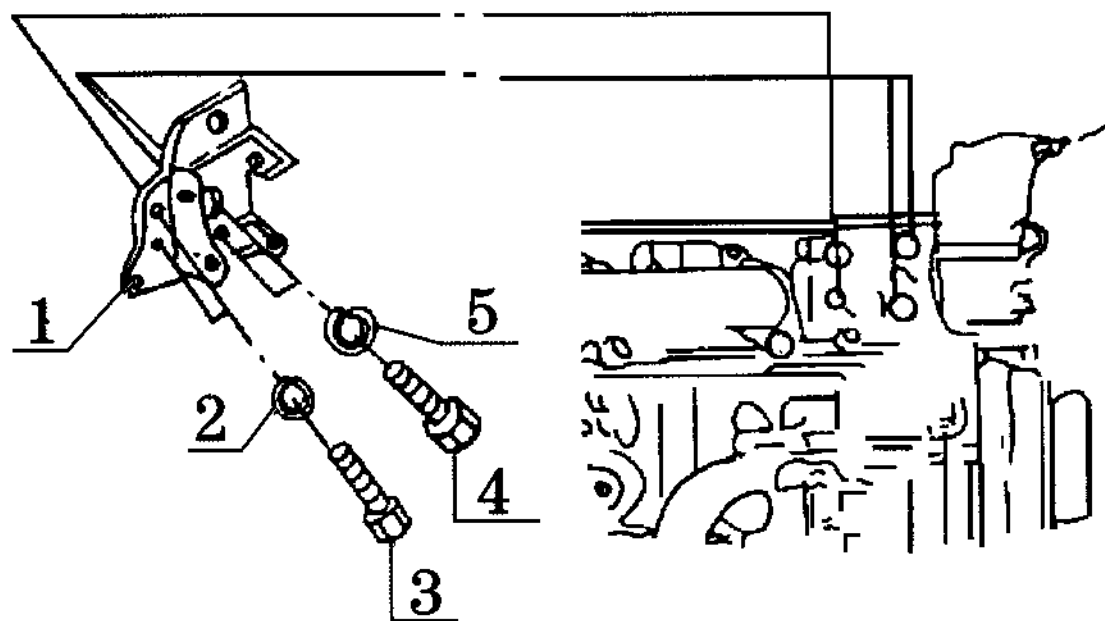
右隔音盖板及线束夹 RIGHT SOUND Baffle & WIRING HARNESS CLIP



右隔音盖板及线束夹 RIGHT SOUND BAFFLE & WIRING HARNESS CLIP

序号 S/N	部件代码 PART CODE	部件名称 DESCRIPTION	部件规格 SPECIFICATION	用量 QTY.	适用车型 VEHICLE MODEL	备注 REMARK
1	Q151C1040	螺栓 BOLT	10×40	2		
2	Q40310	平垫 PLAIN WASHER	10	2		
3	Q40110	弹垫 SPRING WASHER	10	2		
4	Q1460825	螺栓组合件 BOLT SET	8×25	3		
5	11C-1002151	右侧吸音海绵 SILENCING SPONGE,RH		1		
6	11C-1002150	右侧隔音盖板合件 SOUND BAFFLE,RH		1		
7	Q1420812	螺栓组合件 BOLT SET	8×12	3		
8	11C-1002152	线束夹 WIRING HARNESS CLIP		3		

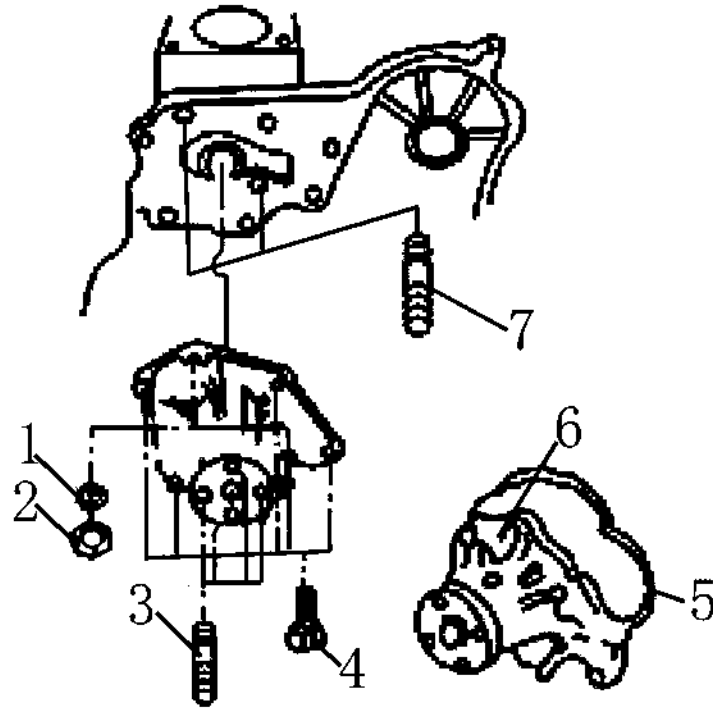
压缩机支架 COMPRESSOR BRACKET



压缩机支架 COMPRESSOR BRACKET

序号 S/N	部件代码 PART CODE	部件名称 DESCRIPTION	部件规格 SPECIFICATION	用量 QTY.	适用车型 VEHICLE MODEL	备注 REMARK
1	11C-8111030	压缩机支架 COMPRESSOR BRACKET		1		
2	Q40308	弹垫 SPRING WASHER	8	2		
3	Q150B0855	螺栓 BOLT	8×55	2		
4	Q151C1055	螺栓 BOLT	10×55	2		
5	Q40310	弹垫 SPRING WASHER	10	2		

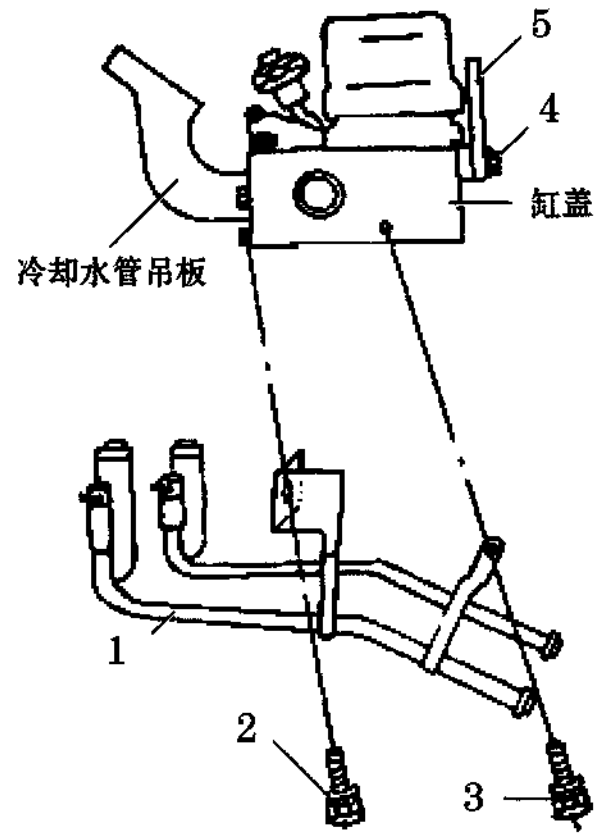
水泵的安装 MATER PUMP



水泵的安装 MATER PUMP

序号 S/N	部件代码 PART CODE	部件名称 DESCRIPTION	部件规格 SPECIFICATION	用量 QTY.	适用车型 VEHICLE MODEL	备注 REMARK
1	Q40108	平垫 PLAIN WASHER	8	2		
2	Q340808	六角螺母 HEX NUT	M8	2		
3	HC-1307021	双头螺柱 STUD BOLT		4		
4	Q1420855	螺栓组合件 BOLT SET	8×55	5		
5	HC-1300017	水泵密封圈 WATER PUMP SEALING RING		1		
6	HC-1307020	水泵总成 WATER PUMP ASSY		1		
7	Q1200825	双头螺柱 STUD BOLT	8×25	2		

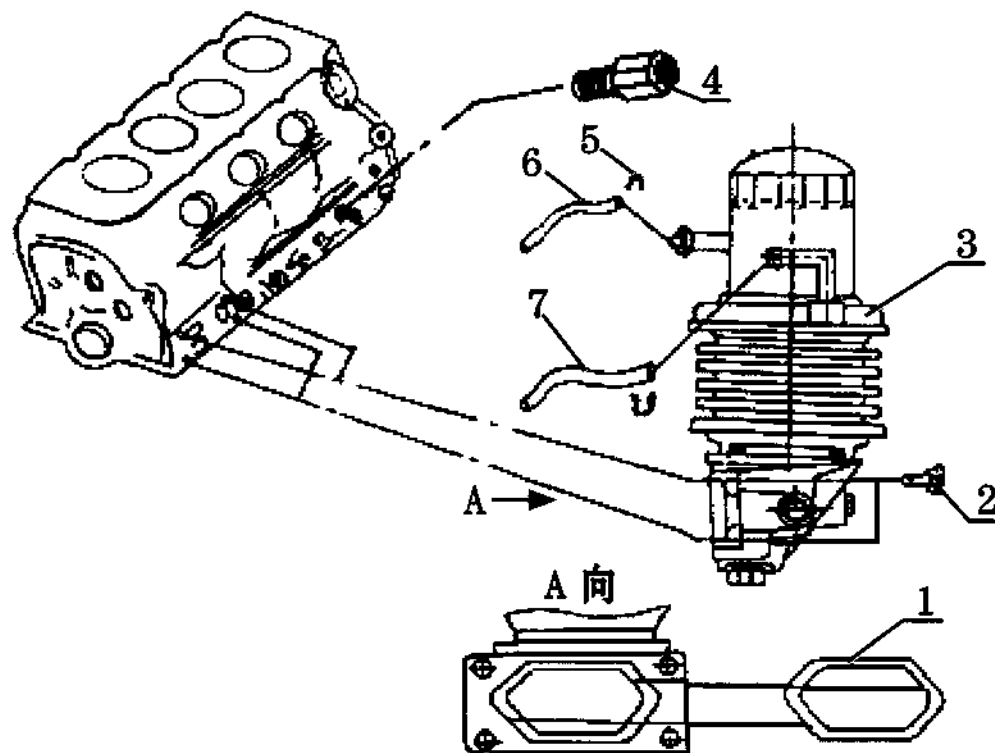
冷却水管焊合件的安装 COOLANT PIPE WELDMENT



冷却水管焊合件的安装 COOLANT PIPE WELDMENT

序号 S/N	部件代码 PART CODE	部件名称 DESCRIPTION	部件规格 SPECIFICATION	用量 QTY.	适用车型 VEHICLE MODEL	备注 REMARK
1	11C-1300060	冷却水管焊合件 COOLANT PIPE WELDMENT		1		
2	Q1420825	螺栓组合件 BOLT SET	8×25	1		
3	Q1840812	螺栓组合件 BOLT SET	8×12	1		
4	Q1421025	螺栓组合件 BOLT SET	10×25	1		
5	11C-1003013	后吊钩 REAR HANGER		1		

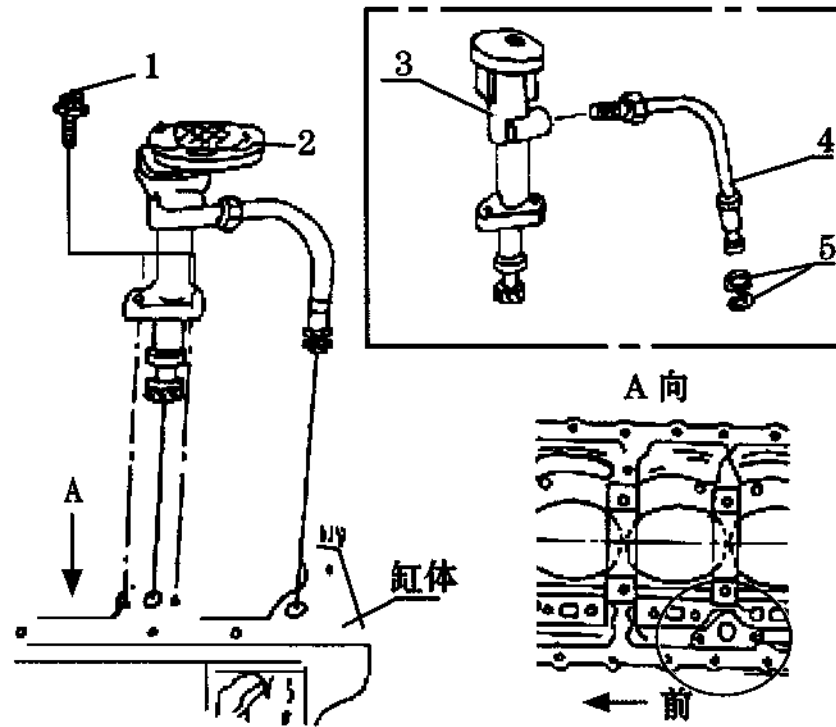
机油滤清器的安装 OIL FILTER



机油滤清器的安装 OIL FILTER

序号 S/N	部件代码 PART CODE	部件名称 DESCRIPTION	部件规格 SPECIFICATION	用量 QTY.	适用车型 VEHICLE MODEL	备注 REMARK
1	11C-1017011	橡胶密封圈 RUBBER SEAL RING		1		
2	Q1420830	螺栓组合件 BOLT SET	8×30	4		
3	11C-1017010	机油滤清器总成 OIL FILTER ASSY		1		
4	11C-1017021	润滑回油管接头 LUBRICANT RETURN PIPE CONNECTOR		1		
5	11C-1017012	环箍 RING CLIP		2		
6	11C-1017014	滤清器冷却出水管 COOLANT OUTLET PIPE		1		
7	11C-1017013	滤清器冷却进水管 COOLANT INLET PIPE		1		

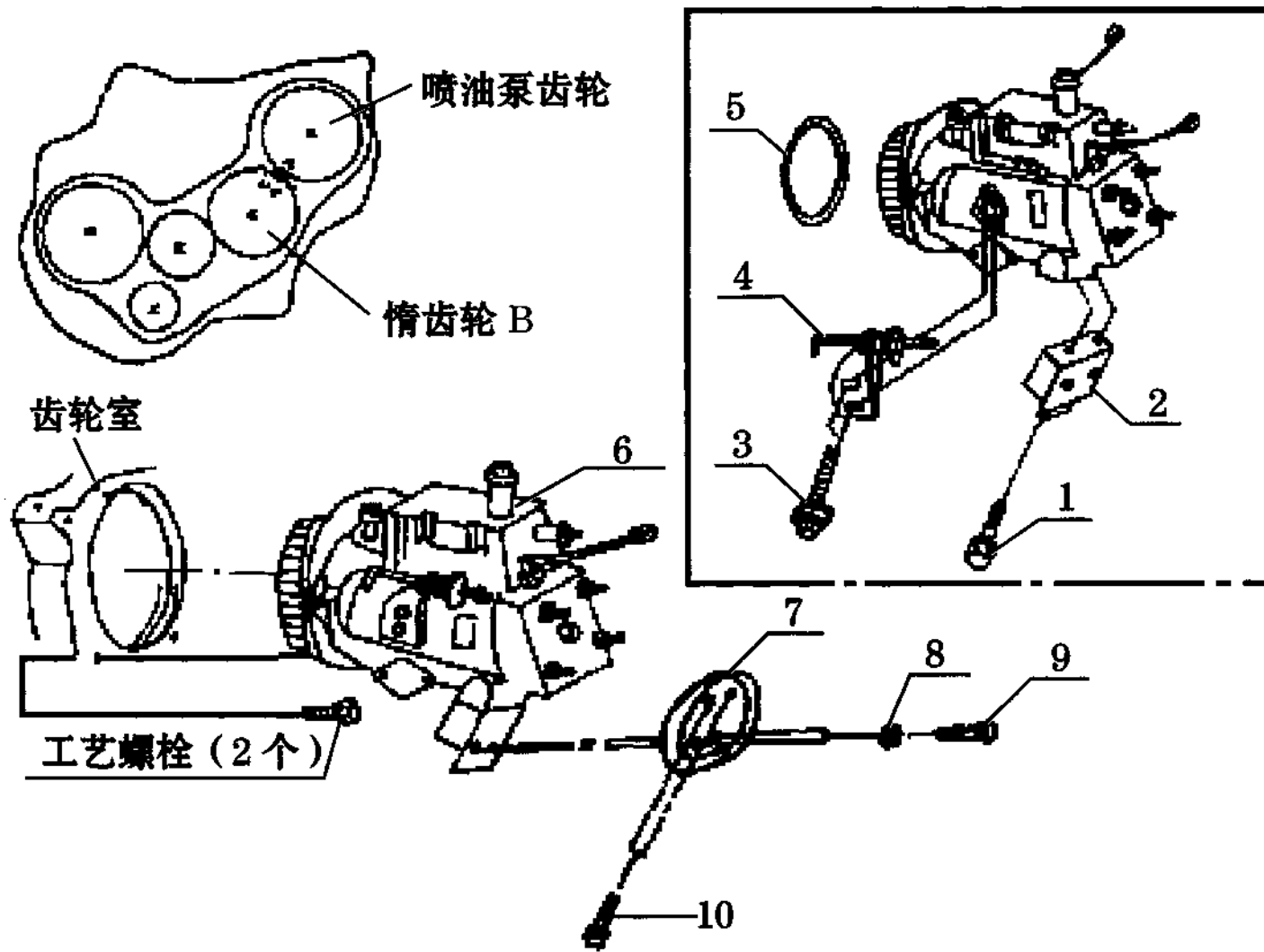
机油泵的安装 OIL PUMP



机油泵的安装 OIL PUMP

序号 S/N	部件代码 PART CODE	部件名称 DESCRIPTION	部件规格 SPECIFICATION	用量 QTY.	适用车型 VEHICLE MODEL	备注 REMARK
1	Q1460830	螺栓组合件 BOLT SET	8×30	2		
2	11C-1011020	机油泵安装总成 OIL PUMP MOUNTING ASSY		1		
3	11C-1011010	机油泵总成 OIL PUMP ASSY		1		
4	11C-1011040	机油管组合件 OIL PIPE SET		2		
5	11C-1011011	O型密封圈 O-RING		1		

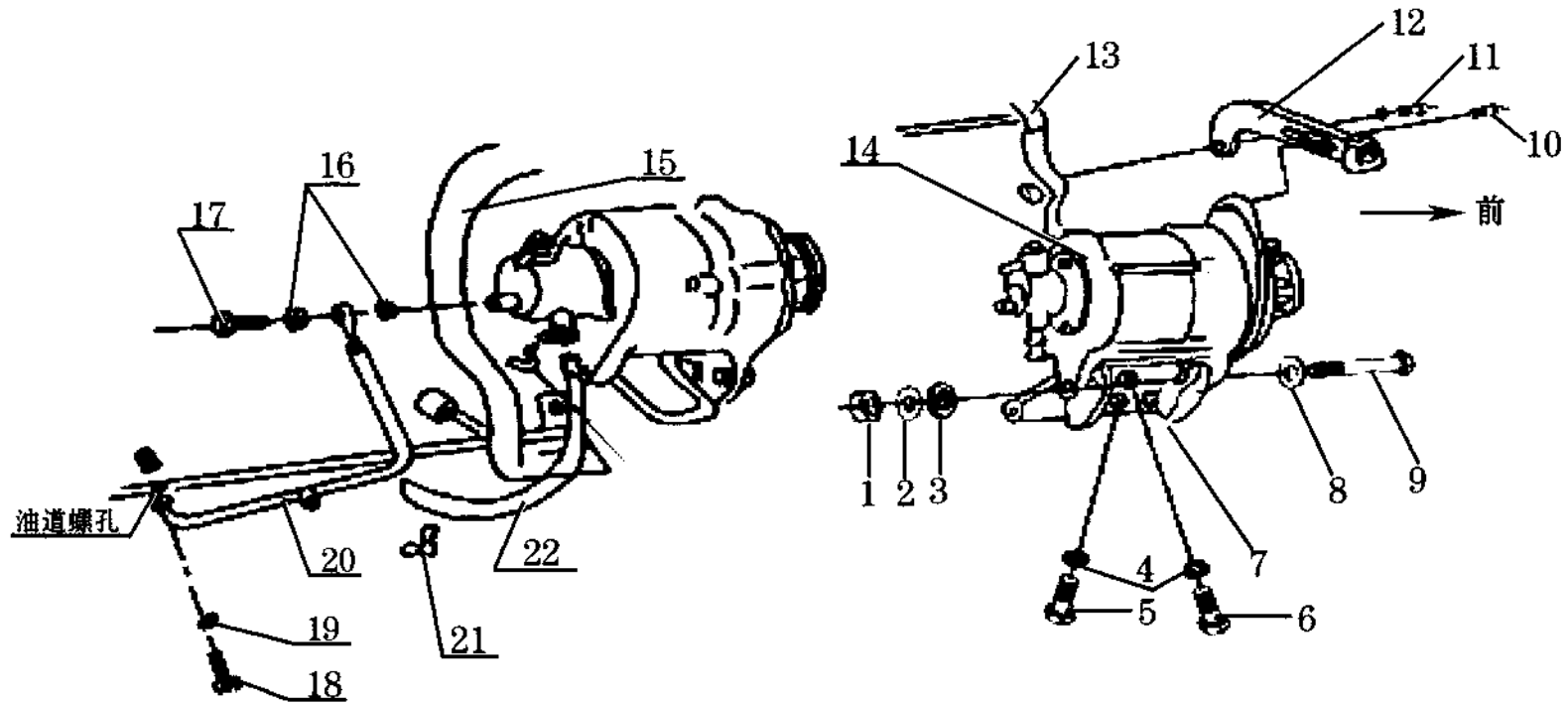
喷油泵的安装 INJECTION PUMP



喷油泵的安装 INJECTION PUMP

序号 S/N	部件代码 PART CODE	部件名称 DESCRIPTION	部件规格 SPECIFICATION	用量 QTY.	适用车型 VEHICLE MODEL	备注 REMARK
1	Q1421020	螺栓组合件 BOLT SET	10×20	2		
2	HC-1111012	后支架 B 焊合件 REAR BRACKET-B WELDMENT		1		
3	Q1460612	螺栓组合件 BOLT SET	6×12	2		
4	HC-1111020	怠速提升装置 IDLE SPEED LIFTING DEVICE		1		
5	HC-1111013	O 型密封圈 O-RING		1		
6	HC-1111010	喷油泵合件 INJECTION PUMP		1		
7	HC-1111011	后支架 A REAR BRACKET-A		1		
8	HC-1111014	平垫圈 PLAIN WASHER		2		
9	Q1420825	螺栓组合件 BOLT SET	8×25	2		
10	Q1460820	螺栓组合件 BOLT SET	8×20	2		

发电机的安装 GENERATOR



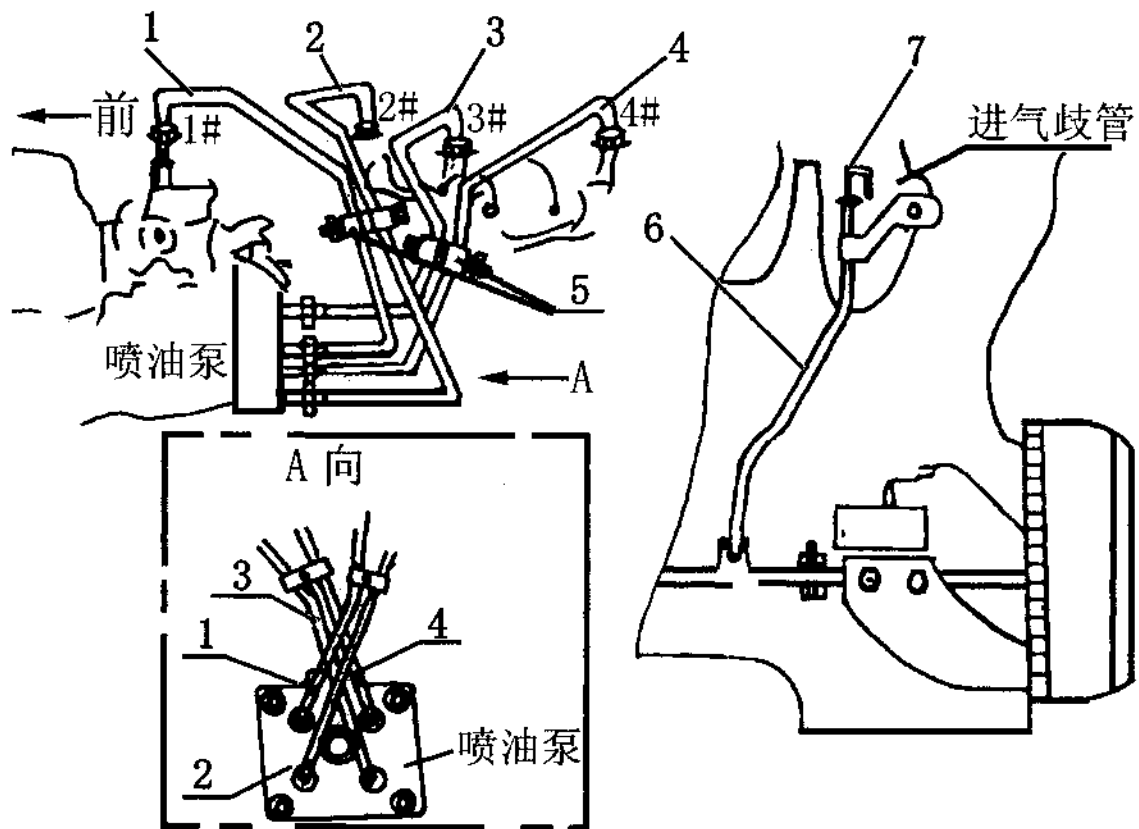
发电机的安装 GENERATOR

序号 S/N	部件代码 PART CODE	部件名称 DESCRIPTION	部件规格 SPECIFICATION	用量 QTY.	适用车型 VEHICLE MODEL	备注 REMARK
1	11C-3701034	螺母 NUT		1		
2	Q40310	弹簧垫圈 SPRING WASHER		1		
3	Q40110	平垫圈 PLAIN WASHER		2		
4	Q40310	弹簧垫圈 SPRING WASHER		2		
5	Q151C1035	螺栓 BOLT		1		
6	Q151C1070	螺栓 BOLT		2		
7	11C-3701031	发电机支架 GENERATOR BRACKET		1		
8	Q40110	平垫圈 PLAIN WASHER		2		
9	11C-3701033	发电机螺栓 GENERATOR BOLT		1		
10	Q1420825	螺栓 BOLT SET		1		
11	Q1420825	螺栓 BOLT SET		1		
12	11C-3701032	发电机调节支架 GENERATOR ADJUSTING BRACKET		1		
13	11C-1002051	齿轮室 GEAR CHAMBER		1		
14	11C-3701010	发电机总成 GENERATOR ASSY	1618 型三接头	1		
15	11C-3701041	进水管 WATER INLET PIPE		1		
16	11C-3701045	铜垫圈 BRONZE WASHER		2		
17	11C-3701046	管接头螺栓 UNION JOINT BOLT		1		
18	11C-3701048	管接头螺栓 UNION JOINT BOLT		1		
19	11C-3701047	铜垫圈 BRONZE WASHER		2		
20	11C-3701042	润滑进油管合件 LUBRICANT INLET PIPE		1		

发电机的安装 GENERATOR

序号 S/N	部件代码 PART CODE	部件名称 DESCRIPTION	部件规格 SPECIFICATION	用量 QTY.	适用车型 VEHICLE MODEL	备注 REMARK
21	11C-3701044	小型钢带式环箍 RING CLIP		2		
22	11C-3701043	润滑回油管 LUBRICANT RETURN PIPE		1		

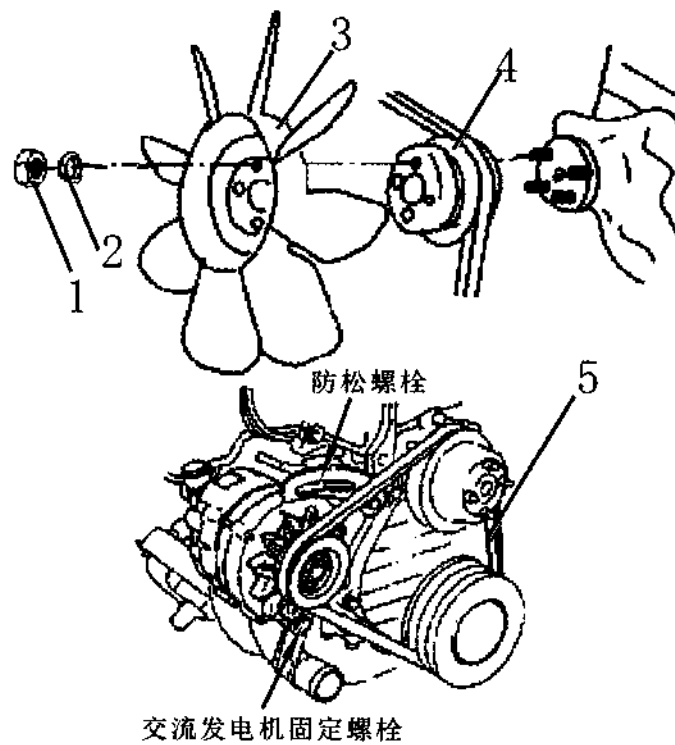
高压油管及机油尺的安装 HIGH PRESSURE FUEL PIPE & OIL DIP ROD



高压油管及机油尺的安装 HIGH PRESSURE FUEL PIPE& OIL DIP ROD

序号 S/N	部件代码 PART CODE	部件名称 DESCRIPTION	部件规格 SPECIFICATION	用量 QTY.	适用车型 VEHICLE MODEL	备注 REMARK
1	11C-1111021	第一缸高压油管 NO.1 CYLINDER HIGH PRES- SURE FUEL PIPE		1		
2	11C-1111022	第二缸高压油管 NO.2 CYLINDER HIGH PRESSURE FUEL PIPE		1		
3	11C-1111023	第三缸高压油管 NO.3 CYLINDER HIGH PRES- SURE FUEL PIPE		1		
4	11C-1111024	第四缸高压油管 NO.4 CYLINDER HIGH PRESSURE FUEL PIPE		1		
5	11C-1111025	高压油管夹紧装置 HIGH PRESSURE FUEL PIPE FASTENING DEVICE		2		
6	11C-1002070	机油标尺组件 OIL DIP ROD		1		
7	11C-1002080	机油标尺导向管焊合件 OIL DIP ROD GUIDE WELDMENT		1		

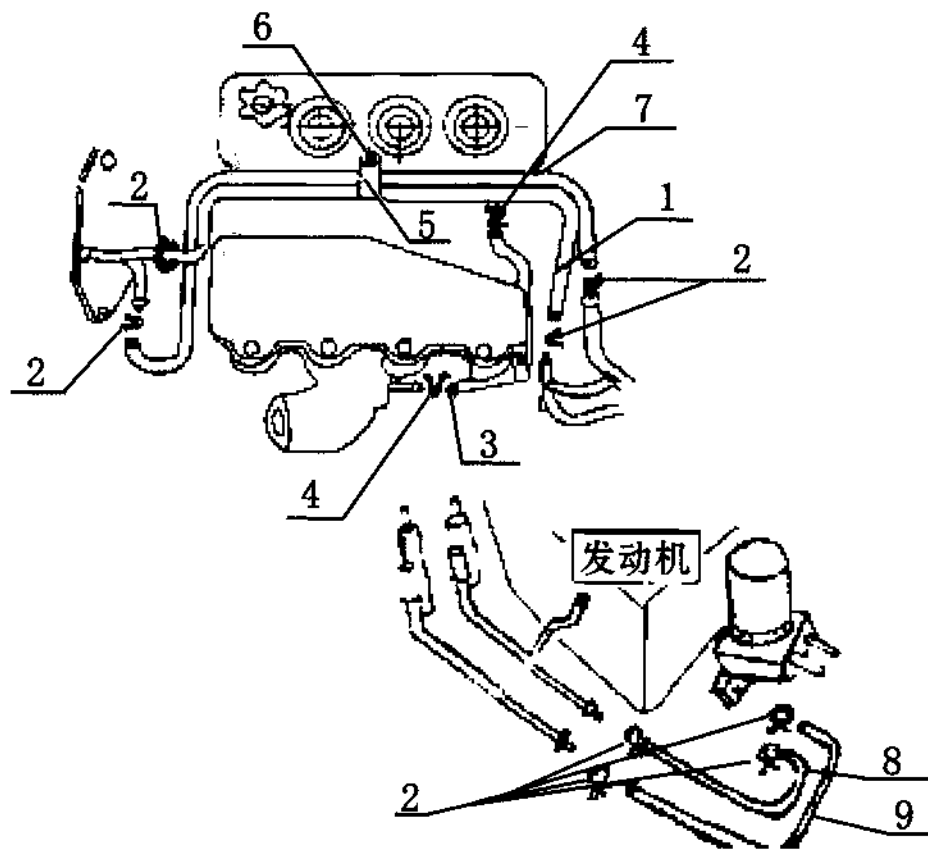
风扇、风扇皮带轮及皮带的安装 FAN, FAN PULLEY & BELT



风扇、风扇皮带轮及皮带的安装 FAN、FAN PULLEY & BELT

序号 S/N	部件代码 PART CODE	部件名称 DESCRIPTION	部件规格 SPECIFICATION	用量 QTY.	适用车型 VEHICLE MODEL	备注 REMARK
1	Q340B06	六角螺母 HEX NUT	M6	4		
2	Q40306	弹垫 SPRING WASHER	6	4		
3	11C-1308010	风扇离合器 FAN CLUTCH		1		
4	11C-1300041	水泵皮带轮 WATER PUMP PULLEY		1		
5	11C-1300011	皮带 BELT		1		

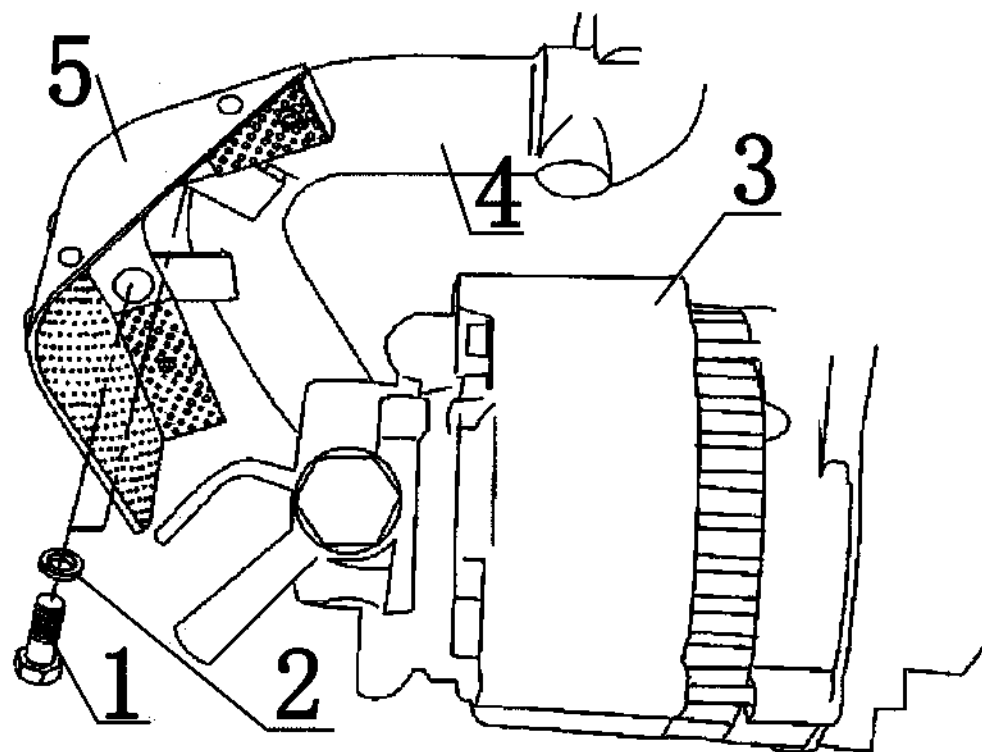
通气软管、机油滤清器冷却进水管的安装
BREATHER HOSE, OIL FILTER COOLANT INLET & OUTLET PIPE



通气软管、机油滤清器冷却进出水管的安装
BREATHER HOSE、OIL FILTER COOLANT INLET&OUTLET PIPE

序号 S/N	部件代码 PART CODE	部件名称 DESCRIPTION	部件规格 SPECIFICATION	用量 QTY.	适用车型 VEHICLE MODEL	备注 REMARK
1	11C-1303011	冷却出水软管 COOLANT OUTLET HOSE		1		
2	11C-1303012	环箍 RING CLIP		8		
3	11C-1014021	通气软管 BREATHER HOSE		1		
4	11C-1014022	环箍 RING CLIP		2		
5	11C-1014023	软管夹 HOSE CLIP		1		
6	Q1840812	螺栓组合件 BOLT SET	8×12	1		
7	11C-1303013	冷却进水软管 COOLANT INLET HOSE		1		
8	11C-1017013	油水分离器进水管 OIL WATER SEPARATOR INLET PIPE		1		
9	11C-1017014	油水分离器出水管 OIL WATER SEPARATOR OUTLET PIPE		1		

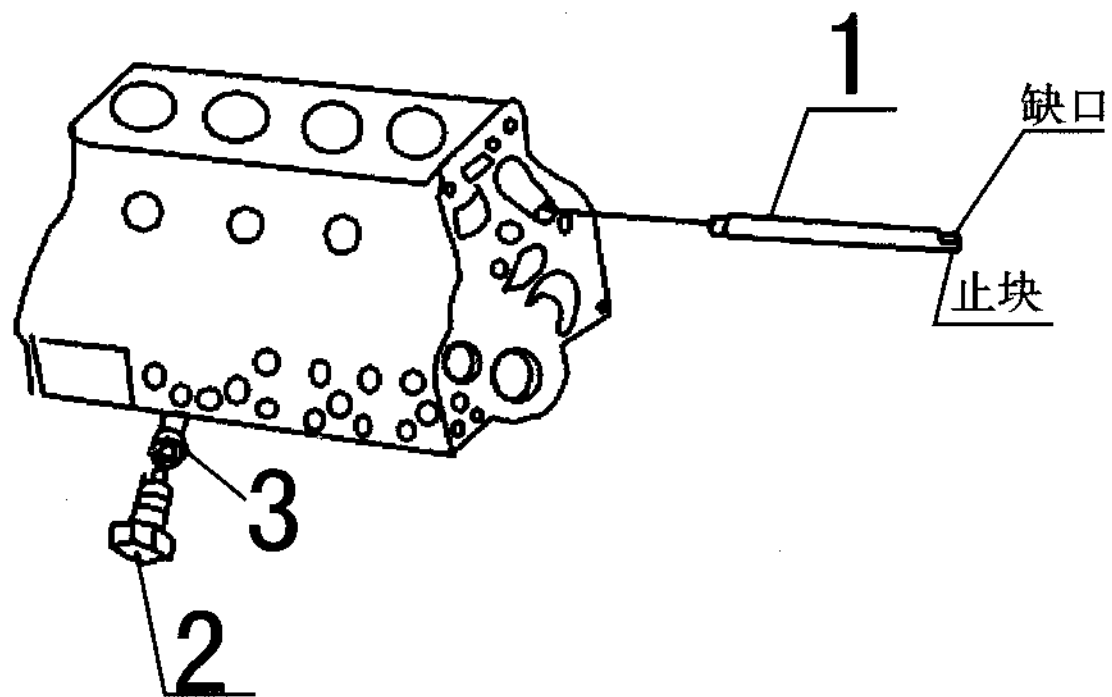
隔热板的安装 HEAT INSULATING PANEL



隔热板的安装 HEAT INSULATING PANEL

序号 S/N	部件代码 PART CODE	部件名称 DESCRIPTION	部件规格 SPECIFICATION	用量 QTY.	适用车型 VEHICLE MODEL	备注 REMARK
1	Q1420816	螺栓组合件 BOLT SET	8×16	2		
2	Q40108	平垫 PLAIN WASHER	8	2		
3	11C-3701010	发电机总成 GENERATOR ASSY	1618 型三接头	1		
4	11C-1300014	进水管总成 WATER INLET PIPE		1		
5	11C-1303020	隔热板铆合件 HEAT INSULATING PANEL RIVET		1		

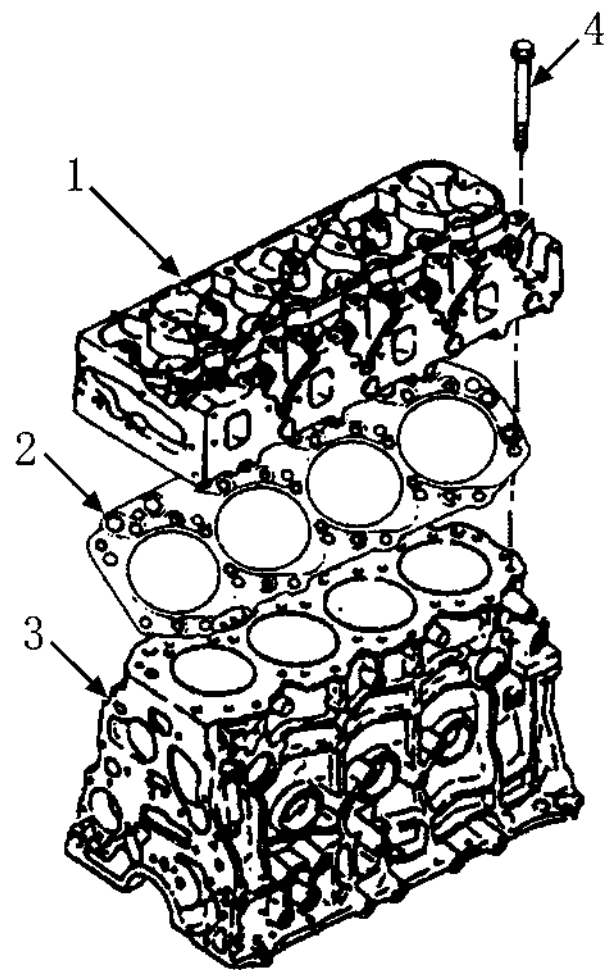
导水管、油压感应塞及油压感应塞座
WATER GUIDE PIPE, OIL PRESSURE SENSING PLUG & OIL PRESSURE SENSING PLUG SEAT



导水管、油压感应塞及油压感应塞座
WATER GUIDE PIPE, OIL PRESSURE SENSING PLUG & OIL PRESSURE SENSING PLUG SEAT

序号 S/N	部件代码 PART CODE	部件名称 DESCRIPTION	部件规格 SPECIFICATION	用量 QTY.	适用车型 VEHICLE MODEL	备注 REMARK
1	11C-1002150	导水管 WATER GUIDE PIPE		1		
2	11C-1002161	油压感应塞 OIL PRESSURE SENSING PLUG		1		
3	11C-1002160	油压感应塞座 OIL PRESSURE SENSING PLUG SEAT		1		

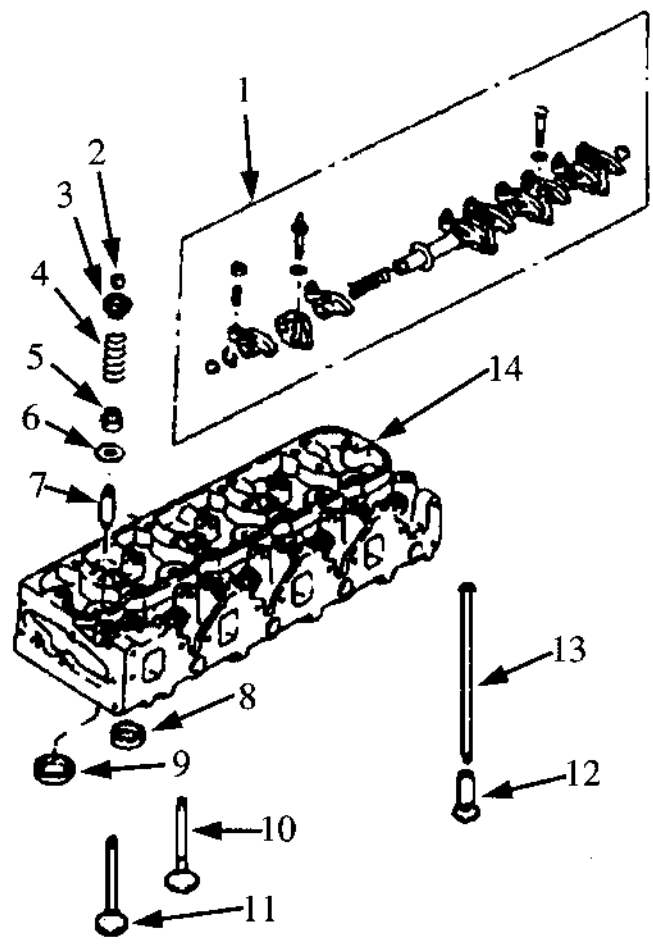
缸盖在缸体上的安装 CYLINDER HEAD



缸盖在缸体上的安装 CYLINDER HEAD

序号 S/N	部件代码 PART CODE	部件名称 DESCRIPTION	部件规格 SPECIFICATION	用量 QTY.	适用车型 VEHICLE MODEL	备注 REMARK
1	11C-1003070	气缸盖安装总成 CYLINDER HEAD MOUNTING ASSY		1		
2	11C-1003090	气缸垫组合件 CYLINDER GASKET KIT		1		
3	11C-1002031	气缸体机械合件 CYLINDER BLOCK		1		
4	11C-1003016	缸盖螺栓 CYLINDER HEAD BOLT		18		

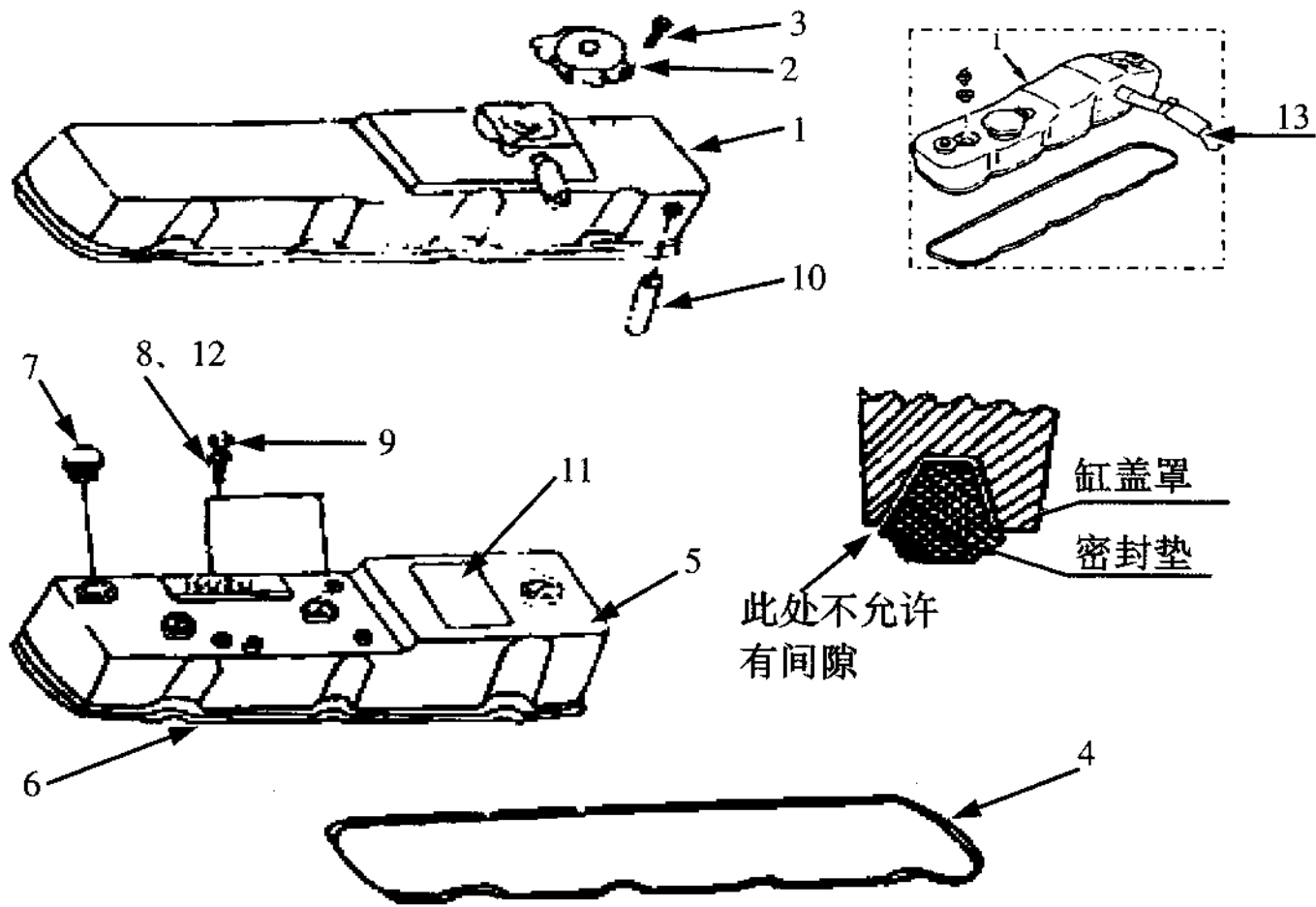
进排气门的组装 INTAKE/EXHAUST VALVE



进排气门的组装 INTAKE/EXHAUST VALVE

序号 S/N	部件代码 PART CODE	部件名称 DESCRIPTION	部件规格 SPECIFICATION	用量 QTY.	适用车型 VEHICLE MODEL	备注 REMARK
1	11C-1007010	摇臂和轴总成 ROCKER ARM & SHAFT ASSY		1		
2	11C-1007019	气门锁夹 VALVE KEEPER		16		
3	11C-1007021	气门弹簧上座 VALVE UPPER SPRING RETAINER		8		
4	11C-1007017	气门弹簧 VALVE SPRING		8		
5	11C-1007040	气门油封 VALVE OIL SEAL		8		
6	11C-1007015	气门弹簧垫片 VALVE SPRING WASHER		8		
7	11C-1003101	气门导管 VALVE GUIDE		8		
8	11C-1003014	排气门座口 EXHAUST VALVE SEAT		4		
9	11C-1007018	进气门座口 INTAKE VALVE SEAT		4		
10	11C-1007016	排气门 EXHAUST VALVE		4		
11	11C-1007070	进气门 INTAKE VALVE		4		
12	11C-1007070	挺柱 TAPPET		8		
13	11C-1007080	推杆 PUSH ROD		8		
14	11C-1003070	气缸盖 CYLINDER HEAD		1		

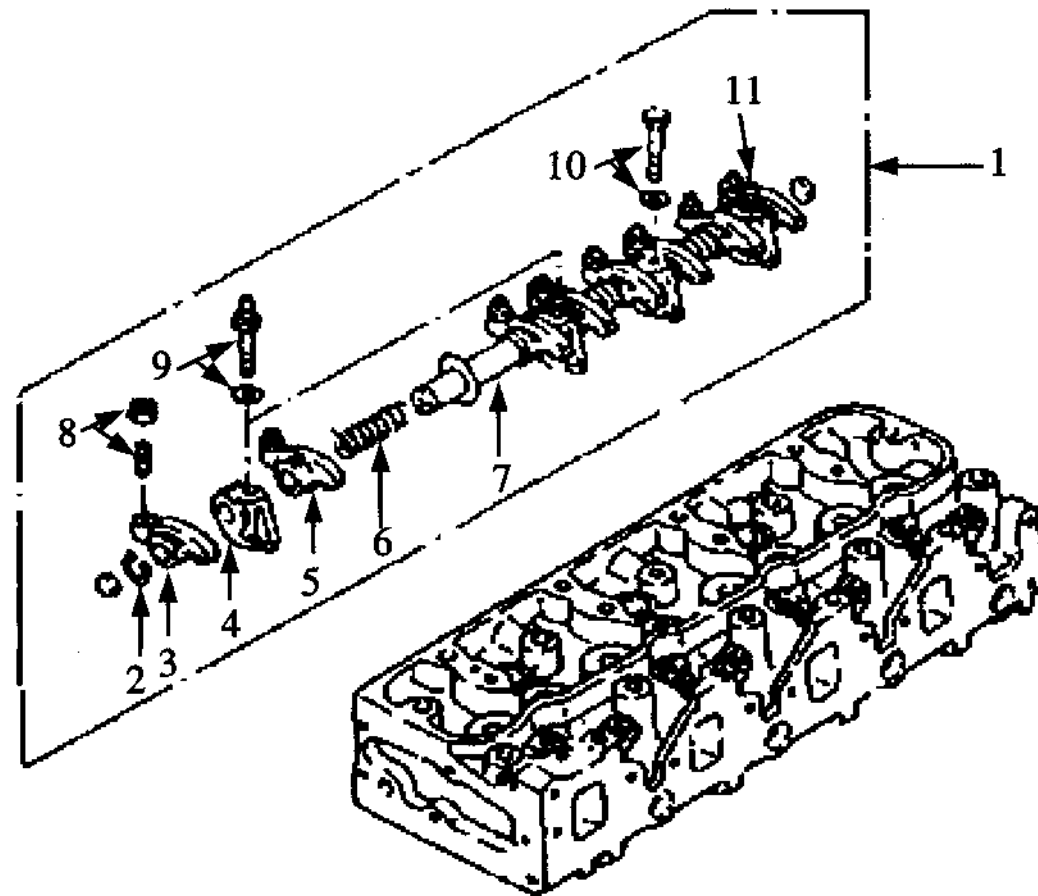
气门室罩盖的组装 VALVE CHAMBER COVER



气门室罩盖的组装 VALVE CHAMBER COVER

序号 S/N	部件代码 PART CODE	部件名称 DESCRIPTION	部件规格 SPECIFICATION	用量 QTY.	适用车型 VEHICLE MODEL	备注 REMARK
1	11C-1003080	缸盖罩	CYLINDER HEAD COVER	1		
2	11C-1003060	膜片阀合件	DIAPHRAGM VALVE SET	1		
3	Q2320408	十字槽盘头螺钉	CROSS SLOT SCREW	4		
4	11C-1003082	缸盖罩密封垫	CYLINDER HEAD COVER GASKET	1		
5	11C-1003084	隔音盖板合件	SOUND BAFFLE SET	1		
6	11C-1003085	缸盖罩吸音海绵	CYLINDER HEAD SILENCING SPONGE	1		
7	11C-1003083	加机油盖合件	OIL FILLER CAP	1		
8	Q40208	大平垫	PLAIN WASHER	2	8	
9	Q150B0812	螺栓	BOLT	2		
10	11C-1014010	通气口接头	BREATHER HOLE UNION	1		
11	11C-1003086	铭牌	NAME PLATE	1		
12	Q40308	弹垫	SPRING WASHER	2	8	
13	11C-1014011	曲轴箱通风胶管	CRANKCASE BREATHER PIPE	1		

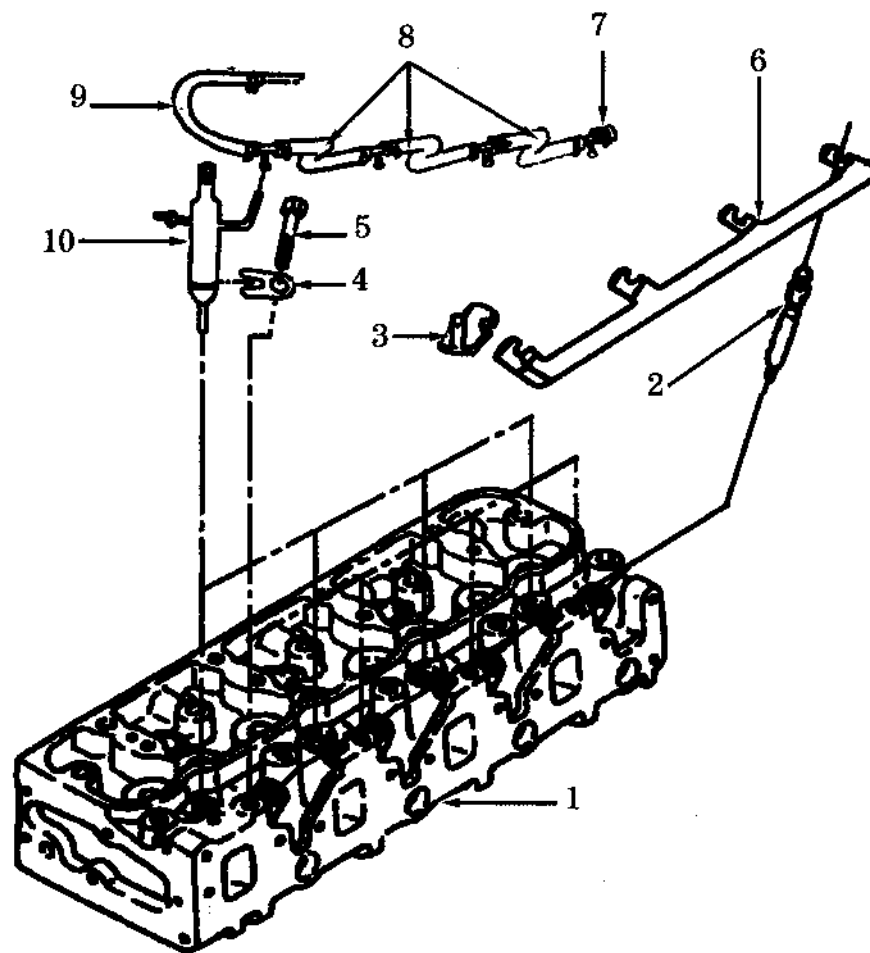
摇臂轴总成的组装 ROCKER ARM SHAFT ASSY



摇臂轴总成的组装 ROCKER ARM SHAFT ASSY

序号 S/N	部件代码 PART CODE	部件名称 DESCRIPTION	部件规格 SPECIFICATION	用量 QTY.	适用车型 VEHICLE MODEL	备注 REMARK
1	11C-1007010	摇臂及摇臂轴总成 ROCKER ARM & SHAFT ASSY		1		
2	Q43119	摇臂轴弹性挡圈 ROCKER ARM SHAFT SNAP RING		2		
3、5	11C-1007012	摇臂 ROCKER ARM		8		
4	11C-1007022	摇臂轴支座 ROCKER ARM SHAFT RETAINER		4		
6	11C-1007013	摇臂轴弹簧 ROCKER ARM SHAFT SPRING		3		
7	11C-1007050	摇臂轴 ROCKER ARM SHAFT		1		
8	11C-1007023	六角螺母 HEX NUT		8		
	11C-1007024	调整螺钉 ADJUSTING SCREW		8		
9	11C-1007025	螺柱 STUD		2		
	Q40110	平垫圈 PLAIN WASHER	10	4		
10	Q151C1060TF2	螺栓 BOLT		1		
11	11C-1007026	螺柱 STUD		1		

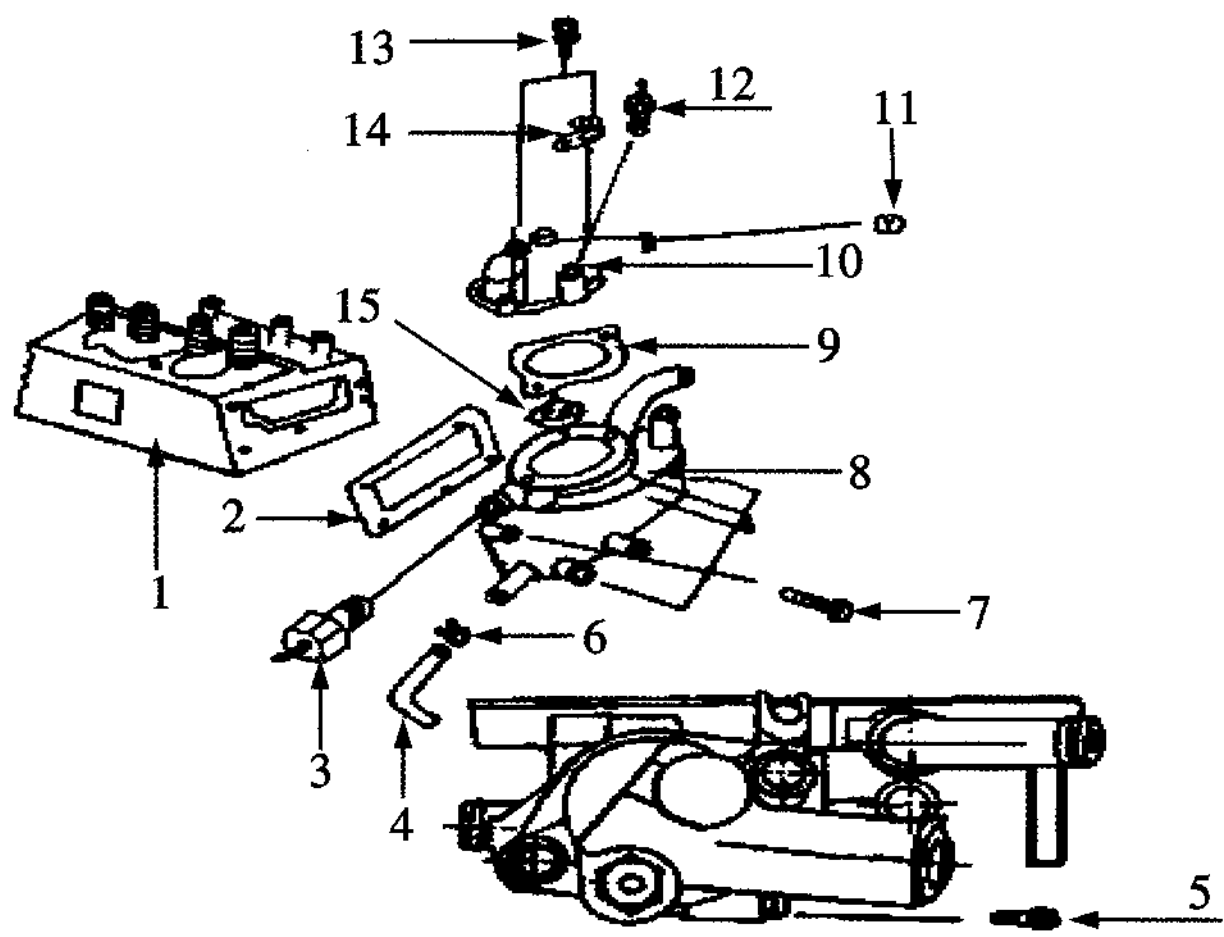
喷油器、回油软管、电热塞及电热塞连接板
INJECTOR, RETURN HOSE, GLOW PLUG & GLOW PLUG CONNECTING PLATE



喷油器、回油软管、电热塞及电热塞连接板
INJECTOR, RETURN HOSE, GLOW PLUG & GLOW PLUG CONNECTING PLATE

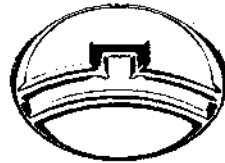
序号 S/N	部件代码 PART CODE	部件名称 DESCRIPTION	部件规格 SPECIFICATION	用量 QTY.	适用车型 VEHICLE MODEL	备注 REMARK
1	11C-1003070	缸盖 CYLINDER HEAD		1		
2	11C-3770010	电热塞 GLOW PLUG		4		
3	11C-3770012	线接头片 WIRE UNION		1		
4	11C-1112011	喷油器压板 INJECTOR PRESSURE PLATE		4		
5	11C-1112012	喷油器紧固螺栓 INJECTOR TIGHTENING BOLT		4		
6	11C-3770011	电热塞连接板 GLOW PLUG CONNECTING PLATE		1		
7	11C-1112022	回油软管端盖 RETURN HOSE END COVER		1		
8	11C-1112021	回油软管 RETURN HOSE		3		
9	11C-1112020	回油软管合件 RETURN HOSE		1		
10	11C-1112010	喷油器总成 INJECTOR ASSY		4		

节温器及节温器壳的安装 THERMOSTAT & THERMOSTAT HOUSING



节温器及节温器壳的安装 THERMOSTAT & THERMOSTAT HOUSING

序号 S/N	部件代码 PART CODE	部件名称 DESCRIPTION	部件规格 SPECIFICATION	用量 QTY.	适用车型 VEHICLE MODEL	备注 REMARK
1	11C-1003070	缸盖 CYLINDER HEAD		1		
2	11C-1306011	垫片-下壳 GASKET - LOWER HOUSING		1		
3	11C-3609500	水温传感器 WATER TEMPERATURE SENSOR		1		
4	11C-1306015	小循环水管 WATER PIPE FOR SMALL CIRCULATION		1		
5	11C-1306013	锥管螺塞 TAPER PIPE SCREW PLUG	R3/8	1		
6	Q67612	小型钢带式环箍 RING CLIP		1		
7	Q1420830	螺栓组合件 BOLT SET	M8×30	5		
8	11C-1306014	节温器下壳总成 THERMOSTAT LOWER HOUSING ASSY		1		
9	11C-1306012	垫片-上壳 GASKET - UPPER HOUSING		1		
10	11C-1306020	节温器上壳总成 THERMOSTAT UPPER HOUSING ASSY		1		
11	11C-1306021	出水管口防尘罩 WATER OUTLET PIPE DUST BOOT		1		
12	11C-1306040	冷起动传感器 COLD START SENSOR		1		
13	Q1460830	螺栓组合件 BOLT SET	M8×30	2		
14	11C-1306022	线束夹 WIRING HARNESS CLIP		1		
15	11C-1306010	节温器 THERMOSTAT		1		



每天进步一点点
improving litte by little everyday

长城汽车股份有限公司

地址: 保定市长城南大街115号 邮编: 071000
ADD: 115 Changcheng South Rd.baoding Hebei Pro.P.R.China ZIP: 071000
销售热线: 0312-2192888 传真: 0312-2134889
Sales direct line: 0312-2192888 2192865 Fax: 0312-2134889 219700
售后热线: 0312-2192885 2192887
After-sales direct line: 0312-2192885 2192887
网址: <http://www.gwpickup.com> E-mail: gwtd@gwpickup.com